



PRICE LIST

v10.7-2

March 2025



**AUSTRALIAN MADE
AND OWNED**

RV Storage Solutions
Unit 12 Sauer Road, New Gisborne, Vic. 3438
Phone: 03 5428 4426
sales@rvss.com.au
www.rvss.com.au



[CLICK HERE
TO GO BACK
TO WEBSITE](#)

*Click on your vehicle brand
on the list –
go directly to that page.*

FOR TRAYBACKS WITH A CANOPY PLEASE CHECK OUT
THE AVAILABLE MODULES ON PAGES 169-170

ALL MEASUREMENTS PROVIDED IN MILLIMETERS.

FREIGHT & FITTING:
ALL PRICES EXCLUDING FREIGHT & FITTING CHARGES.
Please call your nearest RV Dealer for a freight & fitting estimate.

LOCATE NEAREST DEALER

WWW.RVSS.COM.AU/WHERE-TO-BUY

WARRANTY

We are so confident that an RV storage system will do the job for you, we give you a life time warranty on our PREMIUM range for recreational use, 3 years warranty on our EcoLite range for recreational usage and 1 year warranty on Commercial usage when installed by one of our preferred dealers.

FOR FULL WARRANTY TERMS AND CONDITIONS,
DOWNLOAD THE PDF FROM OUR WEBSITE.
WWW.RVSS.COM.AU/WARRANTY

CONTENTS

*Click on your vehicle brand on
the list – go directly to that page.*

| | |
|-----------------------------|----------|
| Chevrolet | Page 4 |
| Ram | Page 7 |
| Ford | Page 9 |
| Great Wall | Page 36 |
| Holden | Page 37 |
| Hyundai | Page 45 |
| Ineos | Page 48 |
| Isuzu | Page 49 |
| Jeep | Page 60 |
| LandRover | Page 61 |
| LDV | Page 66 |
| Mazda | Page 68 |
| Mercedes | Page 79 |
| Mitsubishi | Page 84 |
| Nissan | Page 93 |
| Renault | Page 112 |
| Toyota | Page 114 |
| Volkswagen | Page 157 |
| Modules | Page 169 |
| Drawer Specs | Page 171 |
| Easy Access Combos | Page 172 |
| Accessories | Page 179 |
| Fridge Size Guide | Page 183 |
| Slides - Specs & Pricing | Page 184 |
| Tie Down Points Info | Page 185 |
| Warranty & Terms | Page 186 |
| Batteries & Cradles | Page 187 |
| Lowrider Pricing | Page 189 |
| Easy Access Stacker Pricing | Page 190 |
| Fridge Drawer Systems Info | Page 192 |

CONTENTS

Click on your vehicle on
the list – go directly to that page.

Chevrolet

Silverado 1500 Page 4

Silverado 2500 Page 5

Ram

Ram 2500 Page 7

Ram 1500 Page 8

Ford

Courier PE-PH Page 9

Courier PG-PH Page 10

Ranger PJ, PK Page 11

Ranger PX Page 13

Ranger Next Gen Page 26

Transit Van Page 31

Everest Page 33

Everest Next Gen Page 34

Territory Page 35

Great Wall

V Series Page 36

Holden

Rodeo R9 Page 37

Rodeo RA Page 38

Colorado RC Page 39

Colorado RG Page 40

Colorado 7/Trailblazer Page 44

Hyundai

iLoad Van Page 45

Staria Van Page 47

Ineos

Grenadier Page 48

Isuzu

D-Max Page 49

D-Max X-Terrain Page 53

MU-X Page 58

Jeep

Gladiator Page 60

LandRover

Defender 110 Page 61

Discovery 3 Page 62

Discovery 4 Page 64

LDV

T60 Max Page 66

Mazda

Bravo Page 68

BT-50 Page 70

Thunder GT Page 77

Mercedes

Vito Van Page 79

X-Class Page 82

Mitsubishi

Triton MK Page 84

Triton ML Page 85

Triton MN Page 86

Triton MQ/MR Page 87

Triton MV Page 89

Pajero Page 91

Nissan

Patrol GQ Page 93

Patrol GU/Y61 Page 94

Patrol Y62 Page 96

Pathfinder R51 Page 97

Navara D22 Page 99

Navara D40 Page 101

Navara NP300 Page 106

Renault

Kangoo Van Page 112

Trafic Van Page 113

Toyota

FJ Cruiser Page 114

76 Series Page 115

70 Series Troopy Page 116

60 Series Page 120

80 Series Page 121

100 Series Page 124

200 Series Page 127

300 Series Page 130

95 Series Prado Page 132

120 Series Prado Page 134

150 Series Prado Page 138

250 Series Prado Page 141

Kluger Page 142

Fortuner Page 143

Hilux Page 144

Hiace Van Page 155

Volkswagen

Caddy Van Page 157

Transporter Van Page 159

Amarok Page 161

Amarok Next Gen Page 163

| VEHICLE MAKE MODEL | CHEVROLET SILVERADO (MARCH 2020+) 1500 CREW CAB - 1700x1140 LINER | CHEVROLET | |
|--|--|------------|----------|
| PA: Premium Alloy PS: Premium Steel EL: EcoLite | ALLOY DRAWERS: N/A / TRADE HEIGHT DRAWERS +\$100 PER DRAWER PREMLBK: PREMIUM BLACK RRP +180.00 (option) | | |
| DESCRIPTION (PRICES INCLUDE WING KIT UNLESS OTHERWISE STATED) | PS RRP | PA RRP | |
| EL-190101-171227-TDS | EcoLite Twin Drawer & Wing Kit - Standard Height 1700L x 1020W x 275H (NOTE EcoLite Width: 1020W) | \$2,270.00 | N/A |
| PS-190101-171427-TDS | Twin Drawer & Wing Kit - Standard Height 1700L x 1140W x 275H | \$3,235.00 | N/A |
| PS-190101-171436-TDH | Twin Drawer & Wing Kit - Trade Height 1700L x 1140W x 365H | \$3,435.00 | N/A |
| PS-190101-171430-FDC-E/D | Fridge Drawer Combo with 30L Engel/Dometic Fitkit - 1700L x 1140W x 300H **Fridge not included Liftout Hatch provided to access space behind the fridge (100mm narrower if tie downs added to top) - 883L x 431W | \$2,895.00 | N/A |
| PS-190101-171436-FDC-EK | Fridge Drawer Combo with 40L EvaKool Fitkit - 1700L x 1140W x 365H **Fridge not included Liftout Hatch provided to access space behind the fridge (100mm narrower if tie downs added to top) - 883L x 560W | \$3,005.00 | N/A |
| PS-190101-171436-FDC-IM | Fridge Drawer Combo with 40L Ironman Fitkit - 1700L x 1140W x 365H **Fridge not included Liftout Hatch provided to access space behind the fridge (100mm narrower if tie downs added to top) - 883L x 510W | \$3,005.00 | N/A |
| PS-190101-171436-FDC-BM | Fridge Drawer Combo with 30L Bushman Fitkit - 1700L x 1140W x 365H **Fridge not included Liftout Hatch provided to access space behind the fridge (100mm narrower if tie downs added to top) - 883L x 431W | \$3,005.00 | N/A |
| PS-190101-171427-1LL | Easy Access Combo 1 & Wing Kit - Large Low Platform to Passenger Side (Gap size 570W). Single Drawer O/A 1700L x 570W x 275H. Total Combo O/A 1700L x 1140W x 275H. (Suits all RV-FS listed below except SO *Not Included) | \$2,655.00 | N/A |
| PS-190101-171427-1LR | Easy Access Combo 1 & Wing Kit - Large Low Platform to Driver Side (Gap size 570W). Single Drawer O/A 1700L x 570W x 275H. Total Combo O/A 1700L x 1140W x 275H. (Suits all RV-FS listed below except SO *Not Included) | \$2,655.00 | N/A |
| PS-190101-171427-2LL | Easy Access Combo 2 & Wing Kit - Large Low Platform to Passenger Side (Gap size 570W). Double Stacked Drawers (Standard Height Bottom Drawer O/A 1700L x 570W x 275H, Trade Height Top Drawer O/A 1400L x 570W x 365H). Total Combo O/A 1700L x 1140W x 640H. (Suits all RV-FS listed below except SO *Not Included). ROLLER SHUTTER MUST BE REMOVED Optional 1400L Standard Height top drawer minus -\$100.00 | \$3,965.00 | N/A |
| PS-190101-171427-2LR | Easy Access Combo 2 & Wing Kit - Large Low Platform to Driver Side (Gap size 570W). Double Stacked Drawers (Standard Height Bottom Drawer O/A 1700L x 570W x 275H, Trade Height Top Drawer O/A 1400L x 570W x 365H). Total Combo O/A 1700L x 1140W x 640H. (Suits all RV-FS listed below except SO *Not Included). ROLLER SHUTTER MUST BE REMOVED Optional 1400L Standard Height top drawer minus -\$100.00 | \$3,965.00 | N/A |
| RV-EAC-IFP-1700 | Easy Access Combo INFILL PANEL - covers fridge slide cavity to create a flat solid top effect (NOTE: top drawer must be removed on EAC-2 systems) | \$272.00 | N/A |
| RV-CS-1457-00 | Cargo Shelf single - 1400L Ventilated side panel and solid top shelf to fit FS-1.5 & FS-2 (large fridge space) Suits EAC-1 1700L x 1140W | \$803.00 | N/A |
| RV-CS-0814-00 | Cargo Shelf double - 800L Ventilated side panel and solid top shelf system. Fits EAC-2 1700L x 1140W fitted with a Trade Height top drawer | \$667.00 | N/A |
| RV-IBFS-1300-DS | Inbuilt Fridge Slide - flush fitting 1300L (Driver Side) <i>Premium drawers only</i> | \$472.00 | N/A |
| RV-IBFS-1300-PS | Inbuilt Fridge Slide - flush fitting 1300L (Passenger Side) <i>Premium drawers only</i> | \$472.00 | N/A |
| PS/PA-RV-FS-1 | Heavy Duty Fridge Slide - 750L x 455W x 80H (external incl. Travel Lock) | \$472.00 | \$522.00 |
| PS-RV-FS-1-SO | Heavy Duty Fridge Slide - 450L x 770W x 110H (external incl. Travel Lock) | \$472.00 | N/A |
| PS/PA-RV-FS-1.5 | Heavy Duty Fridge Slide - 750L x 530W x 80H (external incl. Travel Lock) | \$520.00 | \$570.00 |
| PS/PA-RV-FS-2 | Heavy Duty Fridge Slide - 850L x 560W x 80H (external incl. Travel Lock) | \$567.00 | \$617.00 |
| PS-RV-FS-2-SO | Heavy Duty Fridge Slide - 550L x 870W x 110H (external incl. Travel Lock) | \$567.00 | N/A |
| PS/PA-RV-FS-2.25 | Heavy Duty Fridge Slide - 950L x 560W x 80H (external incl. Travel Lock) | \$590.00 | \$640.00 |
| PS/PA-RV-FS-2.5 | Heavy Duty Fridge Slide - 1050L x 560W x 80H (external incl. Travel Lock) | \$685.00 | \$735.00 |
| PS/PA-RV-FS-3 | Heavy Duty Fridge Slide - 1410L x 455W x 80H (external incl. Travel Lock) | \$886.00 | \$961.00 |
| PS/PA-RV-FS-3.5 | Heavy Duty Fridge Slide - 1410L x 560W x 80H (external incl. Travel Lock) | \$886.00 | \$961.00 |
| Roller Shutter MUST be removed for Easy Access Combo 2 Travel Slide Drawers available on page 181 | | | |

| VEHICLE MAKE MODEL | CHEVROLET SILVERADO 2500HD (2018-2021), HD (APRIL 2021+) 2500 CREW CAB - 1800x1140 LINER, NO ROLLER SHUTTER | CHEVROLET | |
|---|--|------------|----------|
| PA: Premium Alloy PS: Premium Steel EL: EcoLite | ALLOY DRAWERS: N/A / TRADE HEIGHT DRAWERS +\$100 PER DRAWER PREMBLK: PREMIUM BLACK RRP +180.00 (option) | | |
| | DESCRIPTION (PRICES INCLUDE WING KIT UNLESS OTHERWISE STATED) | PS RRP | PA RRP |
| EL-190102-181227-TDS | EcoLite Twin Drawer & Wing Kit - Standard Height 1800L x 1020W x 275H (NOTE EcoLite Width: 1020W) | \$2,330.00 | N/A |
| PS-190102-181427-TDS | Twin Drawer & Wing Kit - Standard Height 1800L x 1140W x 275H | \$3,345.00 | N/A |
| PS-190102-181436-TDH | Twin Drawer & Wing Kit - Trade Height 1800L x 1140W x 365H | \$3,545.00 | N/A |
| PS-190102-181430-FDC-E/D | Fridge Drawer Combo with 30L Engel/Dometic Fitkit - 1800L x 1140W x 300H **Fridge not included Liftout Hatch provided to access space behind the fridge (100mm narrower if tie downs added to top) - 983L x 431W | \$2,935.00 | N/A |
| PS-190102-181436-FDC-EK | Fridge Drawer Combo with 40L EvaKool Fitkit - 1800L x 1140W x 365H **Fridge not included Liftout Hatch provided to access space behind the fridge (100mm narrower if tie downs added to top) - 983L x 560W | \$3,045.00 | N/A |
| PS-190102-181436-FDC-IM | Fridge Drawer Combo with 40L Ironman Fitkit - 1800L x 1140W x 365H **Fridge not included Liftout Hatch provided to access space behind the fridge (100mm narrower if tie downs added to top) - 983L x 510W | \$3,045.00 | N/A |
| PS-190102-181436-FDC-BM | Fridge Drawer Combo with 30L Bushman Fitkit - 1800L x 1140W x 365H **Fridge not included Liftout Hatch provided to access space behind the fridge (100mm narrower if tie downs added to top) - 983L x 431W | \$3,045.00 | N/A |
| PS-190102-181427-1LL | Easy Access Combo 1 & Wing Kit - Large Low Platform to Passenger Side (Gap size 570W). Single Drawer O/A 1800L x 570W x 275H. Total Combo O/A 1800L x 1140W x 275H. (Suits all RV-FS listed below except SO *Not Included) | \$2,710.00 | N/A |
| PS-190102-181427-1LR | Easy Access Combo 1 & Wing Kit - Large Low Platform to Driver Side (Gap size 570W). Single Drawer O/A 1800L x 570W x 275H. Total Combo O/A 1800L x 1140W x 275H. (Suits all RV-FS listed below except SO *Not Included) | \$2,710.00 | N/A |
| PS-190102-181427-2LL | Easy Access Combo 2 & Wing Kit - Large Low Platform to Passenger Side (Gap size 570W). Double Stacked Drawers (Standard Height Bottom Drawer O/A 1800L x 570W x 275H, Trade Height Top Drawer O/A 1500L x 570W x 365H). Total Combo O/A 1800L x 1140W x 640H. (Suits all RV-FS listed below except SO *Not Included). Optional 1500L Standard Height top drawer minus -\$100.00 | \$4,065.00 | N/A |
| PS-190102-181427-2LR | Easy Access Combo 2 & Wing Kit - Large Low Platform to Driver Side (Gap size 570W). Double Stacked Drawers (Standard Height Bottom Drawer O/A 1800L x 570W x 275H, Trade Height Top Drawer O/A 1500L x 570W x 365H). Total Combo O/A 1800L x 1140W x 640H. (Suits all RV-FS listed below except SO *Not Included). Optional 1500L Standard Height top drawer minus -\$100.00 | \$4,065.00 | N/A |
| RV-EAC-IFP-1800 | Easy Access Combo INFILL PANEL - covers fridge slide cavity to create a flat solid top effect (NOTE: top drawer must be removed on EAC-2 systems) | \$272.00 | N/A |
| RV-CS-1457-00 | Cargo Shelf single - 1400L Ventilated side panel and solid top shelf to fit FS-1.5 & FS-2 (large fridge space) Suits EAC-1 1800L x 1140W | \$803.00 | N/A |
| RV-CS-0814-00 | Cargo Shelf double - 800L Ventilated side panel and solid top shelf system. Fits EAC-2 1800L x 1140W fitted with a Trade Height top drawer | \$667.00 | N/A |
| RV-IBFS-1300-DS | Inbuilt Fridge Slide - flush fitting 1300L (Driver Side) <i>Premium drawers only</i> | \$472.00 | N/A |
| RV-IBFS-1300-PS | Inbuilt Fridge Slide - flush fitting 1300L (Passenger Side) <i>Premium drawers only</i> | \$472.00 | N/A |
| PS/PA-RV-FS-1 | Heavy Duty Fridge Slide - 750L x 455W x 80H (external incl. Travel Lock) | \$472.00 | \$522.00 |
| PS-RV-FS-1-SO | Heavy Duty Fridge Slide - 450L x 770W x 110H (external incl. Travel Lock) | \$472.00 | N/A |
| PS/PA-RV-FS-1.5 | Heavy Duty Fridge Slide - 750L x 530W x 80H (external incl. Travel Lock) | \$520.00 | \$570.00 |
| PS/PA-RV-FS-2 | Heavy Duty Fridge Slide - 850L x 560W x 80H (external incl. Travel Lock) | \$567.00 | \$617.00 |
| PS-RV-FS-2-SO | Heavy Duty Fridge Slide - 550L x 870W x 110H (external incl. Travel Lock) | \$567.00 | N/A |
| PS/PA-RV-FS-2.25 | Heavy Duty Fridge Slide - 950L x 560W x 80H (external incl. Travel Lock) | \$590.00 | \$640.00 |
| PS/PA-RV-FS-2.5 | Heavy Duty Fridge Slide - 1050L x 560W x 80H (external incl. Travel Lock) | \$685.00 | \$735.00 |
| PS/PA-RV-FS-3 | Heavy Duty Fridge Slide - 1410L x 455W x 80H (external incl. Travel Lock) | \$886.00 | \$961.00 |
| PS/PA-RV-FS-3.5 | Heavy Duty Fridge Slide - 1410L x 560W x 80H (external incl. Travel Lock) | \$886.00 | \$961.00 |

Travel Slide Drawers available on page 181

| VEHICLE MAKE MODEL | CHEVROLET SILVERADO 2500HD (2018-2021), HD (APRIL 2021+) 2500 CREW CAB - 1800x1140 / 1600x1140 WITH LINER & ROLLER SHUTTER | CHEVROLET | |
|---|--|------------|----------|
| PA: Premium Alloy PS: Premium Steel EL: EcoLite | ALLOY DRAWERS: N/A / TRADE HEIGHT DRAWERS +\$100 PER DRAWER | | |
| | PREMLK: PREMIUM BLACK RRP +180.00 (option) | | |
| | DESCRIPTION (PRICES INCLUDE WING KIT UNLESS OTHERWISE STATED) | PS RRP | PA RRP |
| EL-190103-181227-TDS | EcoLite Twin Drawer & Wing Kit - Standard Height 1800L x 1020W x 275H (NOTE EcoLite Width: 1020W) | \$2,330.00 | N/A |
| PS-190103-181427-TDS | Twin Drawer & Wing Kit - Standard Height 1800L x 1140W x 275H | \$3,345.00 | N/A |
| PS-190103-161436-TDH | Twin Drawer & Wing Kit - Trade Height 1600L x 1140W x 365H | \$3,325.00 | N/A |
| PS-190103-161430-FDC-E/D | Fridge Drawer Combo with 30L Engel/Dometic Fitkit - 1600L x 1140W x 300H **Fridge not included Liftout Hatch provided to access space behind the fridge (100mm narrower if tie downs added to top) - 783L x 431W | \$2,855.00 | N/A |
| PS-190103-161436-FDC-EK | Fridge Drawer Combo with 40L EvaKool Fitkit - 1600L x 1140W x 365H **Fridge not included Liftout Hatch provided to access space behind the fridge (100mm narrower if tie downs added to top) - 783L x 560W | \$2,965.00 | N/A |
| PS-190103-161436-FDC-IM | Fridge Drawer Combo with 40L Ironman Fitkit - 1600L x 1140W x 365H **Fridge not included Liftout Hatch provided to access space behind the fridge (100mm narrower if tie downs added to top) - 783L x 510W | \$2,965.00 | N/A |
| PS-190103-161436-FDC-BM | Fridge Drawer Combo with 30L Bushman Fitkit - 1600L x 1140W x 365H **Fridge not included Liftout Hatch provided to access space behind the fridge (100mm narrower if tie downs added to top) - 783L x 431W | \$2,965.00 | N/A |
| PS-190103-181427-1LL | Easy Access Combo 1 Standard Height & Wing Kit - Large Low Platform to Passenger Side (Gap size 570W). Single Drawer STANDARD HEIGHT O/A 1800L x 570W x 275H. Total Combo O/A 1800L x 1140W x 275H. (Suits all RV-FS listed below except SO *Not Included) | \$2,710.00 | N/A |
| PS-190103-181427-1LR | Easy Access Combo 1 Standard Height & Wing Kit - Large Low Platform to Driver Side (Gap size 570W). Single Drawer STANDARD HEIGHT O/A 1800L x 570W x 275H. Total Combo O/A 1800L x 1140W x 275H. (Suits all RV-FS listed below except SO *Not Included) | \$2,710.00 | N/A |
| PS-190103-161436-1LL | Easy Access Combo 1 Trade Height & Wing Kit - Large Low Platform to Passenger Side (Gap size 570W). Single Drawer TRADE HEIGHT O/A 1600L x 570W x 365H. Total Combo O/A 1600L x 1140W x 365H. (Suits all RV-FS listed below except SO *Not Included) | \$2,755.00 | N/A |
| PS-190103-161436-1LR | Easy Access Combo 1 Trade Height & Wing Kit - Large Low Platform to Driver Side (Gap size 570W). Single Drawer TRADE HEIGHT O/A 1600L x 570W x 365H. Total Combo O/A 1600L x 1140W x 365H. (Suits all RV-FS listed below except SO *Not Included) | \$2,755.00 | N/A |
| RV-EAC-IFP-1800 | Easy Access Combo INFILL PANEL FOR STANDARD HEIGHT- covers fridge slide cavity for a flat solid top effect | \$272.00 | N/A |
| RV-EAC-IFP-1600 | Easy Access Combo INFILL PANEL FOR TRADE HEIGHT- covers fridge slide cavity for a flat solid top effect | \$272.00 | N/A |
| RV-IBFS-1300-DS | Inbuilt Fridge Slide - flush fitting 1300L (Driver Side) <i>Premium drawers only</i> | \$472.00 | N/A |
| RV-IBFS-1300-PS | Inbuilt Fridge Slide - flush fitting 1300L (Passenger Side) <i>Premium drawers only</i> | \$472.00 | N/A |
| PS/PA-RV-FS-1 | Heavy Duty Fridge Slide - 750L x 455W x 80H (external incl. Travel Lock) | \$472.00 | \$522.00 |
| PS-RV-FS-1-SO | Heavy Duty Fridge Slide - 450L x 770W x 110H (external incl. Travel Lock) | \$472.00 | N/A |
| PS/PA-RV-FS-1.5 | Heavy Duty Fridge Slide - 750L x 530W x 80H (external incl. Travel Lock) | \$520.00 | \$570.00 |
| PS/PA-RV-FS-2 | Heavy Duty Fridge Slide - 850L x 560W x 80H (external incl. Travel Lock) | \$567.00 | \$617.00 |
| PS-RV-FS-2-SO | Heavy Duty Fridge Slide - 550L x 870W x 110H (external incl. Travel Lock) | \$567.00 | N/A |
| PS/PA-RV-FS-2.25 | Heavy Duty Fridge Slide - 950L x 560W x 80H (external incl. Travel Lock) | \$590.00 | \$640.00 |
| PS/PA-RV-FS-2.5 | Heavy Duty Fridge Slide - 1050L x 560W x 80H (external incl. Travel Lock) | \$685.00 | \$735.00 |
| PS/PA-RV-FS-3 | Heavy Duty Fridge Slide - 1410L x 455W x 80H (external incl. Travel Lock) | \$886.00 | \$961.00 |
| PS/PA-RV-FS-3.5 | Heavy Duty Fridge Slide - 1410L x 560W x 80H (external incl. Travel Lock) | \$886.00 | \$961.00 |

Travel Slide Drawers available on page 181

| VEHICLE MAKE MODEL | RAM TRUCKS RAM (2018+) 2500 Laramie - 1800x1140 LINER (Liner is spray on) | RAM | |
|--|---|------------|----------|
| PA: Premium Alloy PS: Premium Steel EL: EcoLite | ALLOY DRAWERS: N/A / TRADE HEIGHT DRAWERS +\$100 PER DRAWER | | |
| | PREMBLK: PREMIUM BLACK RRP +180.00 (option) | | |
| | DESCRIPTION (PRICES INCLUDE WING KIT UNLESS OTHERWISE STATED) | PS RRP | PA RRP |
| EL-160101-181227-TDS | EcoLite Twin Drawer & Wing Kit - Standard Height 1800L x 1020W x 275H (NOTE EcoLite Width: 1020W) | \$2,330.00 | N/A |
| PS-160101-181427-TDS | Twin Drawer & Wing Kit - Standard Height 1800L x 1140W x 275H | \$3,345.00 | N/A |
| PS-160101-181436-TDH | Twin Drawer & Wing Kit - Trade Height 1800L x 1140W x 365H | \$3,545.00 | N/A |
| PS-160101-181430-FDC-E/D | Fridge Drawer Combo with 30L Engel/Dometic Fitkit - 1800L x 1140W x 300H **Fridge not included Liftout Hatch provided to access space behind the fridge (100mm narrower if tie downs added to top) - 983L x 431W | \$2,935.00 | N/A |
| PS-160101-181436-FDC-EK | Fridge Drawer Combo with 40L EvaKool Fitkit - 1800L x 1140W x 365H **Fridge not included Liftout Hatch provided to access space behind the fridge (100mm narrower if tie downs added to top) - 983L x 560W | \$3,045.00 | N/A |
| PS-160101-181436-FDC-IM | Fridge Drawer Combo with 40L Ironman Fitkit - 1800L x 1140W x 365H **Fridge not included Liftout Hatch provided to access space behind the fridge (100mm narrower if tie downs added to top) - 983L x 510W | \$3,045.00 | N/A |
| PS-160101-181436-FDC-BM | Fridge Drawer Combo with 30L Bushman Fitkit - 1800L x 1140W x 365H **Fridge not included Liftout Hatch provided to access space behind the fridge (100mm narrower if tie downs added to top) - 983L x 431W | \$3,045.00 | N/A |
| PS-160101-181427-1LL | Easy Access Combo 1 & Wing Kit - Large Low Platform to Passenger Side (Gap size 570W). Single Drawer O/A 1800L x 570W x 275H. Total Combo O/A 1800L x 1140W x 275H. (Suits all RV-FS listed below except SO *Not Included) | \$2,710.00 | N/A |
| PS-160101-181427-1LR | Easy Access Combo 1 & Wing Kit - Large Low Platform to Driver Side (Gap size 570W). Single Drawer O/A 1800L x 570W x 275H. Total Combo O/A 1800L x 1140W x 275H. (Suits all RV-FS listed below except SO *Not Included) | \$2,710.00 | N/A |
| PS-160101-181427-2LL | Easy Access Combo 2 & Wing Kit - Large Low Platform to Passenger Side (Gap size 570W). Double Stacked Drawers (Standard Height Bottom Drawer O/A 1800L x 570W x 275H, Trade Height Top Drawer O/A 1500L x 570W x 365H). Total Combo O/A 1800L x 1140W x 640H. (Suits all RV-FS listed below except SO *Not Included). ROLLER SHUTTER MUST BE REMOVED Optional 1500L Standard Height top drawer minus -\$100.00 | \$4,065.00 | N/A |
| PS-160101-181427-2LR | Easy Access Combo 2 & Wing Kit - Large Low Platform to Driver Side (Gap size 570W). Double Stacked Drawers (Standard Height Bottom Drawer O/A 1800L x 570W x 275H, Trade Height Top Drawer O/A 1500L x 570W x 365H). Total Combo O/A 1800L x 1140W x 640H. (Suits all RV-FS listed below except SO *Not Included). ROLLER SHUTTER MUST BE REMOVED Optional 1500L Standard Height top drawer minus -\$100.00 | \$4,065.00 | N/A |
| RV-EAC-IFP-1800 | Easy Access Combo INFILL PANEL - covers fridge slide cavity to create a flat solid top effect (NOTE: top drawer must be removed on EAC-2 systems) | \$272.00 | N/A |
| RV-CS-1457-00 | Cargo Shelf single - 1400L Ventilated side panel and solid top shelf to fit FS-1.5 & FS-2 (large fridge space) Suits EAC-1 1400L x 1020W | \$803.00 | N/A |
| RV-CS-0814-00 | Cargo Shelf double - 800L Ventilated side panel and solid top shelf system. Fits EAC-2 1800L x 1140W fitted with a Trade Height top drawer | \$667.00 | N/A |
| RV-IBFS-1300-DS | Inbuilt Fridge Slide - flush fitting 1300L (Driver Side) Premium drawers only | \$472.00 | N/A |
| RV-IBFS-1300-PS | Inbuilt Fridge Slide - flush fitting 1300L (Passenger Side) Premium drawers only | \$472.00 | N/A |
| PS/PA-RV-FS-1 | Heavy Duty Fridge Slide - 750L x 455W x 80H (external incl. Travel Lock) | \$472.00 | \$522.00 |
| PS-RV-FS-1-SO | Heavy Duty Fridge Slide - 450L x 770W x 110H (external incl. Travel Lock) | \$472.00 | N/A |
| PS/PA-RV-FS-1.5 | Heavy Duty Fridge Slide - 750L x 530W x 80H (external incl. Travel Lock) | \$520.00 | \$570.00 |
| PS/PA-RV-FS-2 | Heavy Duty Fridge Slide - 850L x 560W x 80H (external incl. Travel Lock) | \$567.00 | \$617.00 |
| PS-RV-FS-2-SO | Heavy Duty Fridge Slide - 550L x 870W x 110H (external incl. Travel Lock) | \$567.00 | N/A |
| PS/PA-RV-FS-2.25 | Heavy Duty Fridge Slide - 950L x 560W x 80H (external incl. Travel Lock) | \$590.00 | \$640.00 |
| PS/PA-RV-FS-2.5 | Heavy Duty Fridge Slide - 1050L x 560W x 80H (external incl. Travel Lock) | \$685.00 | \$735.00 |
| PS/PA-RV-FS-3 | Heavy Duty Fridge Slide - 1410L x 455W x 80H (external incl. Travel Lock) | \$886.00 | \$961.00 |
| PS/PA-RV-FS-3.5 | Heavy Duty Fridge Slide - 1410L x 560W x 80H (external incl. Travel Lock) | \$886.00 | \$961.00 |
| There is approx 460mm fridge clearance under the roller shutter in EAC-1 w/ Fridge slide Travel Slide Drawers available on page 181 | | | |

| VEHICLE MAKE MODEL | RAM TRUCKS RAM (2019+) 1500 Laramie - 1600x1140 LINER (Liner is spray on) RAM | | |
|--|--|------------|----------|
| PA: Premium Alloy PS: Premium Steel EL: EcoLite | ALLOY DRAWERS: N/A / TRADE HEIGHT DRAWERS +\$100 PER DRAWER | | |
| | PREMLBK: PREMIUM BLACK RRP +180.00 (option) | | |
| | DESCRIPTION (PRICES INCLUDE WING KIT UNLESS OTHERWISE STATED) | PS RRP | PA RRP |
| EL-160102-161227-TDS | EcoLite Twin Drawer & Wing Kit - Standard Height 1600L x 1020W x 275H (NOTE EcoLite Width: 1020W) | \$2,210.00 | N/A |
| PS-160102-161427-TDS | Twin Drawer & Wing Kit - Standard Height 1600L x 1140W x 275H | \$3,125.00 | N/A |
| PS-160102-161436-TDH | Twin Drawer & Wing Kit - Trade Height 1600L x 1140W x 365H | \$3,325.00 | N/A |
| PS-160102-161430-FDC-E/D | Fridge Drawer Combo with 30L Engel/Dometic Fitkit - 1600L x 1140W x 300H **Fridge not included Liftout Hatch provided to access space behind the fridge (100mm narrower if tie downs added to top) - 783L x 431W | \$2,855.00 | N/A |
| PS-160102-161436-FDC-EK | Fridge Drawer Combo with 40L EvaKool Fitkit - 1600L x 1140W x 365H **Fridge not included Liftout Hatch provided to access space behind the fridge (100mm narrower if tie downs added to top) - 783L x 560W | \$2,965.00 | N/A |
| PS-160102-161436-FDC-IM | Fridge Drawer Combo with 40L Ironman Fitkit - 1600L x 1140W x 365H **Fridge not included Liftout Hatch provided to access space behind the fridge (100mm narrower if tie downs added to top) - 783L x 510W | \$2,965.00 | N/A |
| PS-160102-161436-FDC-BM | Fridge Drawer Combo with 30L Bushman Fitkit - 1600L x 1140W x 365H **Fridge not included Liftout Hatch provided to access space behind the fridge (100mm narrower if tie downs added to top) - 783L x 431W | \$2,965.00 | N/A |
| PS-160102-161427-1LL | Easy Access Combo 1 & Wing Kit - Large Low Platform to Passenger Side (Gap size 570W). Single Drawer O/A 1600L x 570W x 275H. Total Combo O/A 1600L x 1140W x 275H. (Suits all RV-FS listed below except SO *Not Included) | \$2,600.00 | N/A |
| PS-160102-161427-1LR | Easy Access Combo 1 & Wing Kit - Large Low Platform to Driver Side (Gap size 570W). Single Drawer O/A 1600L x 570W x 275H. Total Combo O/A 1600L x 1140W x 275H. (Suits all RV-FS listed below except SO *Not Included) | \$2,600.00 | N/A |
| PS-160102-161427-2LL | Easy Access Combo 2 & Wing Kit - Large Low Platform to Passenger Side (Gap size 570W). Double Stacked Drawers (Standard Height Bottom Drawer O/A 1600L x 570W x 275H, Trade Height Top Drawer O/A 1300L x 570W x 365H). Total Combo O/A 1600L x 1140W x 640H. (Suits all RV-FS listed below except SO *Not Included). ROLLER SHUTTER MUST BE REMOVED Optional 1300L Standard Height top drawer minus -\$100.00 | \$3,885.00 | N/A |
| PS-160102-161427-2LR | Easy Access Combo 2 & Wing Kit - Large Low Platform to Driver Side (Gap size 570W). Double Stacked Drawers (Standard Height Bottom Drawer O/A 1600L x 570W x 275H, Trade Height Top Drawer O/A 1300L x 570W x 365H). Total Combo O/A 1600L x 1140W x 640H. (Suits all RV-FS listed below except SO *Not Included). ROLLER SHUTTER MUST BE REMOVED Optional 1300L Standard Height top drawer minus -\$100.00 | \$3,885.00 | N/A |
| RV-EAC-IFP-1600 | Easy Access Combo INFILL PANEL - covers fridge slide cavity to create a flat solid top effect (NOTE: top drawer must be removed on EAC-2 systems) | \$272.00 | N/A |
| RV-CS-1457-00 | Cargo Shelf single - 1400L Ventilated side panel and solid top shelf to fit FS-1.5 & FS-2 (large fridge space) Suits EAC-1 1400L x 1020W | \$803.00 | N/A |
| RV-CS-0814-00 | Cargo Shelf double - 800L Ventilated side panel and solid top shelf system. Fits EAC-2 1600L x 1140W fitted with a Trade Height top drawer | \$667.00 | N/A |
| RV-IBFS-1300-DS | Inbuilt Fridge Slide - flush fitting 1300L (Driver Side) <i>Premium drawers only</i> | \$472.00 | N/A |
| RV-IBFS-1300-PS | Inbuilt Fridge Slide - flush fitting 1300L (Passenger Side) <i>Premium drawers only</i> | \$472.00 | N/A |
| PS/PA-RV-FS-1 | Heavy Duty Fridge Slide - 750L x 455W x 80H (external incl. Travel Lock) | \$472.00 | \$522.00 |
| PS-RV-FS-1-SO | Heavy Duty Fridge Slide - 450L x 770W x 110H (external incl. Travel Lock) | \$472.00 | N/A |
| PS/PA-RV-FS-1.5 | Heavy Duty Fridge Slide - 750L x 530W x 80H (external incl. Travel Lock) | \$520.00 | \$570.00 |
| PS/PA-RV-FS-2 | Heavy Duty Fridge Slide - 850L x 560W x 80H (external incl. Travel Lock) | \$567.00 | \$617.00 |
| PS-RV-FS-2-SO | Heavy Duty Fridge Slide - 550L x 870W x 110H (external incl. Travel Lock) | \$567.00 | N/A |
| PS/PA-RV-FS-2.25 | Heavy Duty Fridge Slide - 950L x 560W x 80H (external incl. Travel Lock) | \$590.00 | \$640.00 |
| PS/PA-RV-FS-2.5 | Heavy Duty Fridge Slide - 1050L x 560W x 80H (external incl. Travel Lock) | \$685.00 | \$735.00 |
| PS/PA-RV-FS-3 | Heavy Duty Fridge Slide - 1410L x 455W x 80H (external incl. Travel Lock) | \$886.00 | \$961.00 |
| PS/PA-RV-FS-3.5 | Heavy Duty Fridge Slide - 1410L x 560W x 80H (external incl. Travel Lock) | \$886.00 | \$961.00 |
| <p>There is approx 460mm fridge clearance under the roller shutter in EAC-1 w/ Fridge slide Roller Shutter MUST be removed for EAC2 If the vehicle has Ramboxes we will need to supply blank wings Travel Slide Drawers available on page 181</p> | | | |

| VEHICLE MAKE MODEL | FORD COURIER PE-PH DUAL CAB (Crew Cab) GL, XL, XLT (1999-2006) - 1500x1020 NO TUB LINER FORD | | |
|---|--|------------|------------|
| PA: Premium Alloy PS: Premium Steel EL: EcoLite | TRADE HEIGHT DRAWERS +\$100 PER DRAWER | | |
| | PREMLBK: PREMIUM BLACK RRP +180.00 (option) | | |
| | DESCRIPTION (PRICES INCLUDE WING KIT UNLESS OTHERWISE STATED) | PS RRP | PA RRP |
| PS/PA-030101-155127-SSL | Single Drawer & Wing Kit - Standard Height to Passenger Side 1500L x 510W x 275H | \$1,540.00 | \$1,690.00 |
| PS/PA-030101-155127-SSR | Single Drawer & Wing Kit - Standard Height to Driver Side 1500L x 510W x 275H | \$1,540.00 | \$1,690.00 |
| PS/PA-030101-155136-SHL | Single Drawer & Wing Kit - Trade Height to Passenger Side 1500L x 510W x 365H | \$1,640.00 | \$1,790.00 |
| PS/PA-030101-155136-SHR | Single Drawer & Wing Kit - Trade Height to Driver Side 1500L x 510W x 365H | \$1,640.00 | \$1,790.00 |
| EL-030101-151227-TDS | EcoLite Twin Drawer & Wing Kit - Standard Height 1500L x 1020W x 275H | \$2,150.00 | N/A |
| PS/PA-030101-151227-TDS | Twin Drawer & Wing Kit - Standard Height 1500L x 1020W x 275H | \$2,980.00 | \$3,280.00 |
| PS-030101-151236-TDH | Twin Drawer & Wing Kit - Trade Height 1500L x 1020W x 365H | \$3,180.00 | N/A |
| PS/PA-030101-151230-FDC-E/D | Fridge Drawer Combo with 30L Engel/Dometic Fitkit - 1500L x 1020W x 300H **Fridge not included Liftout Hatch provided to access space behind the fridge (100mm narrower if tie downs added to top) - 683L x 431W | \$2,770.00 | \$2,920.00 |
| PS/PA-030101-151236-FDC-EK | Fridge Drawer Combo with 40L EvaKool Fitkit - 1500L x 1020W x 365H **Fridge not included Liftout Hatch provided to access space behind the fridge (100mm narrower if tie downs added to top) - 683L x 560W | \$2,880.00 | \$3,030.00 |
| PS/PA-030101-151236-FDC-IM | Fridge Drawer Combo with 40L Ironman Fitkit - 1500L x 1020W x 365H **Fridge not included Liftout Hatch provided to access space behind the fridge (100mm narrower if tie downs added to top) - 683L x 510W | \$2,880.00 | \$3,030.00 |
| PS/PA-030101-151236-FDC-BM | Fridge Drawer Combo with 30L Bushman Fitkit - 1500L x 1020W x 365H **Fridge not included Liftout Hatch provided to access space behind the fridge (100mm narrower if tie downs added to top) - 683L x 431W | \$2,880.00 | \$3,030.00 |
| PS/PA-030101-151227-1SL | Easy Access Combo 1 & Wing Kit - Small Low Platform to Passenger Side (Gap size 510W). Single Drawer O/A 1500L x 510W x 275H. Total Combo O/A 1500L x 1020W x 275H. (Suits RV-FS-1 or 3*Not Included) | \$2,465.00 | \$2,615.00 |
| PS/PA-030101-151227-1SR | Easy Access Combo 1 & Wing Kit - Small Low Platform to Driver Side (Gap size 510W). Single Drawer O/A 1500L x 510W x 275H. Total Combo O/A 1500L x 1020W x 275H. (Suits RV-FS-1 or 3*Not Included) | \$2,465.00 | \$2,615.00 |
| PS/PA-030101-151227-1LL | Easy Access Combo 1 & Wing Kit - Large Low Platform to Passenger Side (Gap size 570W). Single Drawer O/A 1500L x 450W x 275H. Total Combo O/A 1500L x 1020W x 275H. (Suits all RV-FS listed below except SO *Not Included) | \$2,465.00 | \$2,615.00 |
| PS/PA-030101-151227-1LR | Easy Access Combo 1 & Wing Kit - Large Low Platform to Driver Side (Gap size 570W). Single Drawer O/A 1500L x 450W x 275H. Total Combo O/A 1500L x 1020W x 275H. (Suits all RV-FS listed below except SO *Not Included) | \$2,465.00 | \$2,615.00 |
| PS/PA-030101-151227-2SL | Easy Access Combo 2 & Wing Kit - Small Low Platform to Passenger Side (Gap size 510W). Double Stacked Drawers (Standard Height Bottom Drawer O/A 1500L x 510W x 275H, Trade Height Top Drawer O/A 1200L x 510W x 365H). Total Combo O/A 1500L x 1020W x 640H. (Suits RV-FS-1 or 3*Not Included). Optional 1200L Standard Height top drawer minus -\$100.00 | \$3,210.00 | \$3,510.00 |
| PS/PA-030101-151227-2SR | Easy Access Combo 2 & Wing Kit - Small Low Platform to Driver Side (Gap size 510W). Double Stacked Drawers (Standard Height Bottom Drawer O/A 1500L x 510W x 275H, Trade Height Top Drawer O/A 1200L x 510W x 365H). Total Combo O/A 1500L x 1020W x 640H. (Suits RV-FS-1 or 3*Not Included). Optional 1200L Standard Height top drawer minus -\$100.00 | \$3,210.00 | \$3,510.00 |
| PS/PA-030101-151227-2LL | Easy Access Combo 2 & Wing Kit - Large Low Platform to Passenger Side (Gap size 570W). Double Stacked Drawers (Standard Height Bottom Drawer O/A 1500L x 450W x 275H, Trade Height Top Drawer O/A 1200L x 450W x 365H). Total Combo O/A 1500L x 1020W x 640H. (Suits all RV-FS listed below except SO *Not Included). Optional 1200L Standard Height top drawer minus -\$100.00 | \$3,210.00 | \$3,510.00 |
| PS/PA-030101-151227-2LR | Easy Access Combo 2 & Wing Kit - Large Low Platform to Driver Side (Gap size 570W). Double Stacked Drawers (Standard Height Bottom Drawer O/A 1500L x 450W x 275H, Trade Height Top Drawer O/A 1200L x 450W x 365H). Total Combo O/A 1500L x 1020W x 640H. (Suits all RV-FS listed below except SO *Not Included). Optional 1200L Standard Height top drawer minus -\$100.00 | \$3,210.00 | \$3,510.00 |
| RV-EAC-IFP-1500 | Easy Access Combo INFILL PANEL - covers fridge slide cavity to create a flat solid top effect (NOTE: top drawer must be removed on EAC-2 systems) | \$224.00 | N/A |
| RV-CS-1451-00 | Cargo Shelf single - 1400L Ventilated side panel and solid top shelf to fit FS-1 (small fridge space) Suits EAC-1 1400L x 1020W | \$803.00 | N/A |
| RV-CS-1457-00 | Cargo Shelf single - 1400L Ventilated side panel and solid top shelf to fit FS-1.5 & FS-2 (large fridge space) Suits EAC-1 1400L x 1020W | \$803.00 | N/A |
| RV-CS-0812-00 | Cargo Shelf double - 800L Ventilated side panel and solid top shelf system. Fits EAC-2 1400L x 1020W fitted with a Trade Height top drawer | \$567.00 | N/A |
| RV-IBFS-1300-DS | Inbuilt Fridge Slide - flush fitting 1300L (Driver Side) <i>Premium drawers only</i> | \$472.00 | N/A |
| RV-IBFS-1300-PS | Inbuilt Fridge Slide - flush fitting 1300L (Passenger Side) <i>Premium drawers only</i> | \$472.00 | N/A |
| PS/PA-RV-FS-1 | Heavy Duty Fridge Slide - 750L x 455W x 80H (external incl. Travel Lock) | \$472.00 | \$522.00 |
| PS-RV-FS-1-SO | Heavy Duty Fridge Slide - 450L x 770W x 110H (external incl. Travel Lock) | \$472.00 | N/A |
| PS/PA-RV-FS-1.5 | Heavy Duty Fridge Slide - 750L x 530W x 80H (external incl. Travel Lock) | \$520.00 | \$570.00 |
| PS/PA-RV-FS-2 | Heavy Duty Fridge Slide - 850L x 560W x 80H (external incl. Travel Lock) | \$567.00 | \$617.00 |
| PS-RV-FS-2-SO | Heavy Duty Fridge Slide - 550L x 870W x 110H (external incl. Travel Lock) | \$567.00 | N/A |
| PS/PA-RV-FS-2.25 | Heavy Duty Fridge Slide - 950L x 560W x 80H (external incl. Travel Lock) | \$590.00 | \$640.00 |
| PS/PA-RV-FS-2.5 | Heavy Duty Fridge Slide - 1050L x 560W x 80H (external incl. Travel Lock) | \$685.00 | \$735.00 |
| PS/PA-RV-FS-3 | Heavy Duty Fridge Slide - 1410L x 455W x 80H (external incl. Travel Lock) | \$886.00 | \$961.00 |
| PS/PA-RV-FS-3.5 | Heavy Duty Fridge Slide - 1410L x 560W x 80H (external incl. Travel Lock) | \$886.00 | \$961.00 |

Travel Slide Drawers available on page 181
 Inbuilt Fridge Slides N/A for alloy drawers

| VEHICLE MAKE MODEL | FORD COURIER PG-PH SUPER CAB (Extra Cab) GL, XL, XLT (2002-2006) - 1700x1020 NO TUB LINER | FORD | |
|---|---|------------|----------|
| ALLOY DRAWERS: N/A / TRADE HEIGHT DRAWERS +\$100 PER DRAWER | | | |
| PREMBLK: PREMIUM BLACK RRP +180.00 (option) | | | |
| DESCRIPTION (PRICES INCLUDE WING KIT UNLESS OTHERWISE STATED) | | | |
| | | PS RRP | PA RRP |
| PS-030102-175127-SSL | Single Drawer & Wing Kit - Standard Height to Passenger Side 1700L x 510W x 275H | \$1,625.00 | N/A |
| PS-030102-175127-SSR | Single Drawer & Wing Kit - Standard Height to Driver Side 1700L x 510W x 275H | \$1,625.00 | N/A |
| PS-030102-175136-SHL | Single Drawer & Wing Kit - Trade Height to Passenger Side 1700L x 510W x 365H | \$1,725.00 | N/A |
| PS-030102-175136-SHR | Single Drawer & Wing Kit - Trade Height to Driver Side 1700L x 510W x 365H | \$1,725.00 | N/A |
| EL-030102-171227-TDS | EcoLite Twin Drawer & Wing Kit - Standard Height 1700L x 1020W x 275H | \$2,270.00 | N/A |
| PS-030102-171227-TDS | Twin Drawer & Wing Kit - Standard Height 1700L x 1020W x 275H | \$3,145.00 | N/A |
| PS-030102-171236-TDH | Twin Drawer & Wing Kit - Trade Height 1700L x 1020W x 365H | \$3,345.00 | N/A |
| PS-030102-171230-FDC-E/D | Fridge Drawer Combo with 30L Engel/Dometic Fitkit - 1700L x 1020W x 300H **Fridge not included Liftout Hatch provided to access space behind the fridge (100mm narrower if tie downs added to top) - 883L x 431W | \$2,855.00 | N/A |
| PS-030102-171236-FDC-EK | Fridge Drawer Combo with 40L EvaKool Fitkit - 1700L x 1020W x 365H **Fridge not included Liftout Hatch provided to access space behind the fridge (100mm narrower if tie downs added to top) - 883L x 560W | \$2,965.00 | N/A |
| PS-030102-171236-FDC-IM | Fridge Drawer Combo with 40L Ironman Fitkit - 1700L x 1020W x 365H **Fridge not included Liftout Hatch provided to access space behind the fridge (100mm narrower if tie downs added to top) - 883L x 510W | \$2,965.00 | N/A |
| PS-030102-171236-FDC-BM | Fridge Drawer Combo with 30L Bushman Fitkit - 1700L x 1020W x 365H **Fridge not included Liftout Hatch provided to access space behind the fridge (100mm narrower if tie downs added to top) - 883L x 431W | \$2,965.00 | N/A |
| PS-030102-171227-1SL | Easy Access Combo 1 & Wing Kit - Small Low Platform to Passenger Side (Gap size 510W). Single Drawer O/A 1700L x 510W x 275H. Total Combo O/A 1700L x 1020W x 275H. (Suits RV-FS-1 or 3*Not Included) | \$2,630.00 | N/A |
| PS-030102-171227-1SR | Easy Access Combo 1 & Wing Kit - Small Low Platform to Driver Side (Gap size 510W). Single Drawer O/A 1700L x 510W x 275H. Total Combo O/A 1700L x 1020W x 275H. (Suits RV-FS-1 or 3*Not Included) | \$2,630.00 | N/A |
| PS-030102-171227-1LL | Easy Access Combo 1 & Wing Kit - Large Low Platform to Passenger Side (Gap size 570W). Single Drawer O/A 1700L x 450W x 275H. Total Combo O/A 1700L x 1020W x 275H. (Suits all RV-FS listed below except SO *Not Included) | \$2,630.00 | N/A |
| PS-030102-171227-1LR | Easy Access Combo 1 & Wing Kit - Large Low Platform to Driver Side (Gap size 570W). Single Drawer O/A 1700L x 450W x 275H. Total Combo O/A 1700L x 1020W x 275H. (Suits all RV-FS listed below except SO *Not Included) | \$2,630.00 | N/A |
| PS-030102-171227-2SL | Easy Access Combo 2 & Wing Kit - Small Low Platform to Passenger Side (Gap size 510W). Double Stacked Drawers (Standard Height Bottom Drawer O/A 1700L x 510W x 275H, Trade Height Top Drawer O/A 1400L x 510W x 365H). Total Combo O/A 1700L x 1020W x 640H. (Suits RV-FS-1 or 3*Not Included). Optional 1400L Standard Height top drawer minus -\$100.00 | \$3,375.00 | N/A |
| PS-030102-171227-2SR | Easy Access Combo 2 & Wing Kit - Small Low Platform to Driver Side (Gap size 510W). Double Stacked Drawers (Standard Height Bottom Drawer O/A 1700L x 510W x 275H, Trade Height Top Drawer O/A 1400L x 510W x 365H). Total Combo O/A 1700L x 1020W x 640H. (Suits RV-FS-1 or 3*Not Included). Optional 1400L Standard Height top drawer minus -\$100.00 | \$3,375.00 | N/A |
| PS-030102-171227-2LL | Easy Access Combo 2 & Wing Kit - Large Low Platform to Passenger Side (Gap size 570W). Double Stacked Drawers (Standard Height Bottom Drawer O/A 1700L x 450W x 275H, Trade Height Top Drawer O/A 1400L x 450W x 365H). Total Combo O/A 1700L x 1020W x 640H. (Suits all RV-FS listed below except SO *Not Included). Optional 1400L Standard Height top drawer minus -\$100.00 | \$3,375.00 | N/A |
| PS-030102-171227-2LR | Easy Access Combo 2 & Wing Kit - Large Low Platform to Driver Side (Gap size 570W). Double Stacked Drawers (Standard Height Bottom Drawer O/A 1700L x 450W x 275H, Trade Height Top Drawer O/A 1400L x 450W x 365H). Total Combo O/A 1700L x 1020W x 640H. (Suits all RV-FS listed below except SO *Not Included). Optional 1400L Standard Height top drawer minus -\$100.00 | \$3,375.00 | N/A |
| RV-EAC-IFP-1700 | Easy Access Combo INFILL PANEL - covers fridge slide cavity to create a flat solid top effect (NOTE: top drawer must be removed on EAC-2 systems) | \$272.00 | N/A |
| RV-CS-1451-00 | Cargo Shelf single - 1400L Ventilated side panel and solid top shelf to fit FS-1 (small fridge space) Suits EAC-1 1400L x 1020W | \$803.00 | N/A |
| RV-CS-1457-00 | Cargo Shelf single - 1400L Ventilated side panel and solid top shelf to fit FS-1.5 & FS-2 (large fridge space) Suits EAC-1 x 1400L x 1020W | \$803.00 | N/A |
| RV-CS-0812-00 | Cargo Shelf double - 800L Ventilated side panel and solid top shelf system. Fits EAC-2 1400L x 1020W fitted with a Trade Height top drawer | \$567.00 | N/A |
| RV-IBFS-1300-DS | Inbuilt Fridge Slide - flush fitting 1300L (Driver Side) Premium drawers only | \$472.00 | N/A |
| RV-IBFS-1300-PS | Inbuilt Fridge Slide - flush fitting 1300L (Passenger Side) Premium drawers only | \$472.00 | N/A |
| PS/PA-RV-FS-1 | Heavy Duty Fridge Slide - 750L x 455W x 80H (external incl. Travel Lock) | \$472.00 | \$522.00 |
| PS-RV-FS-1-SO | Heavy Duty Fridge Slide - 450L x 770W x 110H (external incl. Travel Lock) | \$472.00 | N/A |
| PS/PA-RV-FS-1.5 | Heavy Duty Fridge Slide - 750L x 530W x 80H (external incl. Travel Lock) | \$520.00 | \$570.00 |
| PS/PA-RV-FS-2 | Heavy Duty Fridge Slide - 850L x 560W x 80H (external incl. Travel Lock) | \$567.00 | \$617.00 |
| PS-RV-FS-2-SO | Heavy Duty Fridge Slide - 550L x 870W x 110H (external incl. Travel Lock) | \$567.00 | N/A |
| PS/PA-RV-FS-2.25 | Heavy Duty Fridge Slide - 950L x 560W x 80H (external incl. Travel Lock) | \$590.00 | \$640.00 |
| PS/PA-RV-FS-2.5 | Heavy Duty Fridge Slide - 1050L x 560W x 80H (external incl. Travel Lock) | \$685.00 | \$735.00 |
| PS/PA-RV-FS-3 | Heavy Duty Fridge Slide - 1410L x 455W x 80H (external incl. Travel Lock) | \$886.00 | \$961.00 |
| PS/PA-RV-FS-3.5 | Heavy Duty Fridge Slide - 1410L x 560W x 80H (external incl. Travel Lock) | \$886.00 | \$961.00 |

Travel Slide Drawers available on page 181

| VEHICLE MAKE MODEL | FORD RANGER PJ, PK DUAL CAB (Crew Cab) XL, XLT (DEC 2006-APRIL 2008) - 1500x1020 NO TUB LINER FORD | | |
|---|--|------------|------------|
| PA: Premium Alloy PS: Premium Steel EL: EcoLite | TRADE HEIGHT DRAWERS +\$100 PER DRAWER | | |
| | PREMBLK: PREMIUM BLACK RRP +180.00 (option) | | |
| | DESCRIPTION (PRICES INCLUDE WING KIT UNLESS OTHERWISE STATED) | PS RRP | PA RRP |
| PS/PA-030201-155127-SSL | Single Drawer & Wing Kit - Standard Height to Passenger Side 1500L x 510W x 275H | \$1,540.00 | \$1,690.00 |
| PS/PA-030201-155127-SSR | Single Drawer & Wing Kit - Standard Height to Driver Side 1500L x 510W x 275H | \$1,540.00 | \$1,690.00 |
| PS/PA-030201-155136-SHL | Single Drawer & Wing Kit - Trade Height to Passenger Side 1500L x 510W x 365H | \$1,640.00 | \$1,790.00 |
| PS/PA-030201-155136-SHR | Single Drawer & Wing Kit - Trade Height to Driver Side 1500L x 510W x 365H | \$1,640.00 | \$1,790.00 |
| EL-030201-151227-TDS | EcoLite Twin Drawer & Wing Kit - Standard Height 1500L x 1020W x 275H | \$2,150.00 | N/A |
| PS/PA-030201-151227-TDS | Twin Drawer & Wing Kit - Standard Height 1500L x 1020W x 275H | \$2,980.00 | \$3,280.00 |
| PS-030201-151236-TDH | Twin Drawer & Wing Kit - Trade Height 1500L x 1020W x 365H | \$3,180.00 | N/A |
| PS/PA-030201-151230-FDC-E/D | Fridge Drawer Combo with 30L Engel/Dometic Fitkit - 1500L x 1020W x 300H **Fridge not included Liftout Hatch provided to access space behind the fridge (100mm narrower if tie downs added to top) - 683L x 431W | \$2,770.00 | \$2,920.00 |
| PS/PA-030201-151236-FDC-EK | Fridge Drawer Combo with 40L Evakool Fitkit - 1500L x 1020W x 365H **Fridge not included Liftout Hatch provided to access space behind the fridge (100mm narrower if tie downs added to top) - 683L x 560W | \$2,880.00 | \$3,030.00 |
| PS/PA-030201-151236-FDC-IM | Fridge Drawer Combo with 40L Ironman Fitkit - 1500L x 1020W x 365H **Fridge not included Liftout Hatch provided to access space behind the fridge (100mm narrower if tie downs added to top) - 683L x 510W | \$2,880.00 | \$3,030.00 |
| PS/PA-030201-151236-FDC-BM | Fridge Drawer Combo with 30L Bushman Fitkit - 1500L x 1020W x 365H **Fridge not included Liftout Hatch provided to access space behind the fridge (100mm narrower if tie downs added to top) - 683L x 431W | \$2,880.00 | \$3,030.00 |
| PS/PA-030201-151227-1SL | Easy Access Combo 1 & Wing Kit - Small Low Platform to Passenger Side (Gap size 510W). Single Drawer O/A 1500L x 510W x 275H. Total Combo O/A 1500L x 1020W x 275H. (Suits RV-FS-1 or 3*Not Included) | \$2,465.00 | \$2,615.00 |
| PS/PA-030201-151227-1SR | Easy Access Combo 1 & Wing Kit - Small Low Platform to Driver Side (Gap size 510W). Single Drawer O/A 1500L x 510W x 275H. Total Combo O/A 1500L x 1020W x 275H. (Suits RV-FS-1 or 3*Not Included) | \$2,465.00 | \$2,615.00 |
| PS/PA-030201-151227-1LL | Easy Access Combo 1 & Wing Kit - Large Low Platform to Passenger Side (Gap size 570W). Single Drawer O/A 1500L x 450W x 275H. Total Combo O/A 1500L x 1020W x 275H. (Suits all RV-FS listed below except SO *Not Included) | \$2,465.00 | \$2,615.00 |
| PS/PA-030201-151227-1LR | Easy Access Combo 1 & Wing Kit - Large Low Platform to Driver Side (Gap size 570W). Single Drawer O/A 1500L x 450W x 275H. Total Combo O/A 1500L x 1020W x 275H. (Suits all RV-FS listed below except SO *Not Included) | \$2,465.00 | \$2,615.00 |
| PS/PA-030201-151227-2SL | Easy Access Combo 2 & Wing Kit - Small Low Platform to Passenger Side (Gap size 510W). Double Stacked Drawers (Standard Height Bottom Drawer O/A 1500L x 510W x 275H, Trade Height Top Drawer O/A 1200L x 510W x 365H). Total Combo O/A 1500L x 1020W x 640H. (Suits RV-FS-1 or 3*Not Included). Optional 1200L Standard Height top drawer minus -\$100.00 | \$3,210.00 | \$3,510.00 |
| PS/PA-030201-151227-2SR | Easy Access Combo 2 & Wing Kit - Small Low Platform to Driver Side (Gap size 510W). Double Stacked Drawers (Standard Height Bottom Drawer O/A 1500L x 510W x 275H, Trade Height Top Drawer O/A 1200L x 510W x 365H). Total Combo O/A 1500L x 1020W x 640H. (Suits RV-FS-1 or 3*Not Included). Optional 1200L Standard Height top drawer minus -\$100.00 | \$3,210.00 | \$3,510.00 |
| PS/PA-030201-151227-2LL | Easy Access Combo 2 & Wing Kit - Large Low Platform to Passenger Side (Gap size 570W). Double Stacked Drawers (Standard Height Bottom Drawer O/A 1500L x 450W x 275H, Trade Height Top Drawer O/A 1200L x 450W x 365H). Total Combo O/A 1500L x 1020W x 640H. (Suits all RV-FS listed below except SO *Not Included). Optional 1200L Standard Height top drawer minus -\$100.00 | \$3,210.00 | \$3,510.00 |
| PS/PA-030201-151227-2LR | Easy Access Combo 2 & Wing Kit - Large Low Platform to Driver Side (Gap size 570W). Double Stacked Drawers (Standard Height Bottom Drawer O/A 1500L x 450W x 275H, Trade Height Top Drawer O/A 1200L x 450W x 365H). Total Combo O/A 1500L x 1020W x 640H. (Suits all RV-FS listed below except SO *Not Included). Optional 1200L Standard Height top drawer minus -\$100.00 | \$3,210.00 | \$3,510.00 |
| RV-EAC-IFP-1500 | Easy Access Combo INFILL PANEL - covers fridge slide cavity to create a flat solid top effect (NOTE: top drawer must be removed on EAC-2 systems) | \$224.00 | N/A |
| RV-CS-1451-00 | Cargo Shelf single - 1400L Ventilated side panel and solid top shelf to fit FS-1 (small fridge space) Suits EAC-1 1400L x 1020W | \$803.00 | N/A |
| RV-CS-1457-00 | Cargo Shelf single - 1400L Ventilated side panel and solid top shelf to fit FS-1.5 & FS-2 (large fridge space) Suits EAC-1 x 1400L x 1020W | \$803.00 | N/A |
| RV-CS-0812-00 | Cargo Shelf double - 800L Ventilated side panel and solid top shelf system. Fits EAC-2 1400L x 1020W fitted with a Trade Height top drawer | \$567.00 | N/A |
| RV-IBFS-1300-DS | Inbuilt Fridge Slide - flush fitting 1300L (Driver Side) <i>Premium drawers only</i> | \$472.00 | N/A |
| RV-IBFS-1300-PS | Inbuilt Fridge Slide - flush fitting 1300L (Passenger Side) <i>Premium drawers only</i> | \$472.00 | N/A |
| PS/PA-RV-FS-1 | Heavy Duty Fridge Slide - 750L x 455W x 80H (external incl. Travel Lock) | \$472.00 | \$522.00 |
| PS-RV-FS-1-SO | Heavy Duty Fridge Slide - 450L x 770W x 110H (external incl. Travel Lock) | \$472.00 | N/A |
| PS/PA-RV-FS-1.5 | Heavy Duty Fridge Slide - 750L x 530W x 80H (external incl. Travel Lock) | \$520.00 | \$570.00 |
| PS/PA-RV-FS-2 | Heavy Duty Fridge Slide - 850L x 560W x 80H (external incl. Travel Lock) | \$567.00 | \$617.00 |
| PS-RV-FS-2-SO | Heavy Duty Fridge Slide - 550L x 870W x 110H (external incl. Travel Lock) | \$567.00 | N/A |
| PS/PA-RV-FS-2.25 | Heavy Duty Fridge Slide - 950L x 560W x 80H (external incl. Travel Lock) | \$590.00 | \$640.00 |
| PS/PA-RV-FS-2.5 | Heavy Duty Fridge Slide - 1050L x 560W x 80H (external incl. Travel Lock) | \$685.00 | \$735.00 |
| PS/PA-RV-FS-3 | Heavy Duty Fridge Slide - 1410L x 455W x 80H (external incl. Travel Lock) | \$886.00 | \$961.00 |
| PS/PA-RV-FS-3.5 | Heavy Duty Fridge Slide - 1410L x 560W x 80H (external incl. Travel Lock) | \$886.00 | \$961.00 |

Travel Slide Drawers available on page 181
 Inbuilt Fridge Slides N/A for alloy drawers

| VEHICLE MAKE MODEL | FORD RANGER PJ, PK SUPER CAB (Extra Cab) XL, XLT (DEC 2006-APRIL 2008) - 1700x1020 NO TUB LINER | | | FORD |
|---|--|------------|----------|------|
| PA: Premium Alloy PS: Premium Steel EL: EcoLite | ALLOY DRAWERS: N/A / TRADE HEIGHT DRAWERS +\$100 PER DRAWER | | | |
| | PREMLBK: PREMIUM BLACK RRP +180.00 (option) | | | |
| | DESCRIPTION (PRICES INCLUDE WING KIT UNLESS OTHERWISE STATED) | PS RRP | PA RRP | |
| PS-030202-175127-SSL | Single Drawer & Wing Kit - Standard Height to Passenger Side 1700L x 510W x 275H | \$1,625.00 | N/A | |
| PS-030202-175127-SSR | Single Drawer & Wing Kit - Standard Height to Driver Side 1700L x 510W x 275H | \$1,625.00 | N/A | |
| PS-030202-175136-SHL | Single Drawer & Wing Kit - Trade Height to Passenger Side 1700L x 510W x 365H | \$1,725.00 | N/A | |
| PS-030202-175136-SHR | Single Drawer & Wing Kit - Trade Height to Driver Side 1700L x 510W x 365H | \$1,725.00 | N/A | |
| EL-030202-171227-TDS | EcoLite Twin Drawer & Wing Kit - Standard Height 1700L x 1020W x 275H | \$2,270.00 | N/A | |
| PS-030202-171227-TDS | Twin Drawer & Wing Kit - Standard Height 1700L x 1020W x 275H | \$3,145.00 | N/A | |
| PS-030202-171236-TDH | Twin Drawer & Wing Kit - Trade Height 1700L x 1020W x 365H | \$3,345.00 | N/A | |
| PS-030202-171230-FDC-E/D | Fridge Drawer Combo with 30L Engel/Dometic Fitkit - 1700L x 1020W x 300H **Fridge not included Liftout Hatch provided to access space behind the fridge (100mm narrower if tie downs added to top) - 883L x 431W | \$2,855.00 | N/A | |
| PS-030202-171236-FDC-EK | Fridge Drawer Combo with 40L EvaKool Fitkit - 1700L x 1020W x 365H **Fridge not included Liftout Hatch provided to access space behind the fridge (100mm narrower if tie downs added to top) - 883L x 560W | \$2,965.00 | N/A | |
| PS-030202-171236-FDC-IM | Fridge Drawer Combo with 40L Ironman Fitkit - 1700L x 1020W x 365H **Fridge not included Liftout Hatch provided to access space behind the fridge (100mm narrower if tie downs added to top) - 883L x 510W | \$2,965.00 | N/A | |
| PS-030202-171236-FDC-BM | Fridge Drawer Combo with 30L Bushman Fitkit - 1700L x 1020W x 365H **Fridge not included Liftout Hatch provided to access space behind the fridge (100mm narrower if tie downs added to top) - 883L x 431W | \$2,965.00 | N/A | |
| PS-030202-171227-1SL | Easy Access Combo 1 & Wing Kit - Small Low Platform to Passenger Side (Gap size 510W). Single Drawer O/A 1700L x 510W x 275H. Total Combo O/A 1700L x 1020W x 275H. (Suits RV-FS-1 or 3*Not Included) | \$2,630.00 | N/A | |
| PS-030202-171227-1SR | Easy Access Combo 1 & Wing Kit - Small Low Platform to Driver Side (Gap size 510W). Single Drawer O/A 1700L x 510W x 275H. Total Combo O/A 1700L x 1020W x 275H. (Suits RV-FS-1 or 3*Not Included) | \$2,630.00 | N/A | |
| PS-030202-171227-1LL | Easy Access Combo 1 & Wing Kit - Large Low Platform to Passenger Side (Gap size 570W). Single Drawer O/A 1700L x 450W x 275H. Total Combo O/A 1700L x 1020W x 275H. (Suits all RV-FS listed below except SO *Not Included) | \$2,630.00 | N/A | |
| PS-030202-171227-1LR | Easy Access Combo 1 & Wing Kit - Large Low Platform to Driver Side (Gap size 570W). Single Drawer O/A 1700L x 450W x 275H. Total Combo O/A 1700L x 1020W x 275H. (Suits all RV-FS listed below except SO *Not Included) | \$2,630.00 | N/A | |
| PS-030202-171227-2SL | Easy Access Combo 2 & Wing Kit - Small Low Platform to Passenger Side (Gap size 510W). Double Stacked Drawers (Standard Height Bottom Drawer O/A 1700L x 510W x 275H, Trade Height Top Drawer O/A 1400L x 510W x 365H). Total Combo O/A 1700L x 1020W x 640H. (Suits RV-FS-1 or 3*Not Included). Optional 1400L Standard Height top drawer minus -\$100.00 | \$3,375.00 | N/A | |
| PS-030202-171227-2SR | Easy Access Combo 2 & Wing Kit - Small Low Platform to Driver Side (Gap size 510W). Double Stacked Drawers (Standard Height Bottom Drawer O/A 1700L x 510W x 275H, Trade Height Top Drawer O/A 1400L x 510W x 365H). Total Combo O/A 1700L x 1020W x 640H. (Suits RV-FS-1 or 3*Not Included). Optional 1400L Standard Height top drawer minus -\$100.00 | \$3,375.00 | N/A | |
| PS-030202-171227-2LL | Easy Access Combo 2 & Wing Kit - Large Low Platform to Passenger Side (Gap size 570W). Double Stacked Drawers (Standard Height Bottom Drawer O/A 1700L x 450W x 275H, Trade Height Top Drawer O/A 1400L x 450W x 365H). Total Combo O/A 1700L x 1020W x 640H. (Suits all RV-FS listed below except SO *Not Included). Optional 1400L Standard Height top drawer minus -\$100.00 | \$3,375.00 | N/A | |
| PS-030202-171227-2LR | Easy Access Combo 2 & Wing Kit - Large Low Platform to Driver Side (Gap size 570W). Double Stacked Drawers (Standard Height Bottom Drawer O/A 1700L x 450W x 275H, Trade Height Top Drawer O/A 1400L x 450W x 365H). Total Combo O/A 1700L x 1020W x 640H. (Suits all RV-FS listed below except SO *Not Included). Optional 1400L Standard Height top drawer minus -\$100.00 | \$3,375.00 | N/A | |
| RV-EAC-IFP-1700 | Easy Access Combo INFILL PANEL - covers fridge slide cavity to create a flat solid top effect (NOTE: top drawer must be removed on EAC-2 systems) | \$272.00 | N/A | |
| RV-CS-1451-00 | Cargo Shelf single - 1400L Ventilated side panel and solid top shelf to fit FS-1 (small fridge space) Suits EAC-1 1400L x 1020W | \$803.00 | N/A | |
| RV-CS-1457-00 | Cargo Shelf single - 1400L Ventilated side panel and solid top shelf to fit FS-1.5 & FS-2 (large fridge space) Suits EAC-1 x 1400L x 1020W | \$803.00 | N/A | |
| RV-CS-0812-00 | Cargo Shelf double - 800L Ventilated side panel and solid top shelf system. Fits EAC-2 1400L x 1020W fitted with a Trade Height top drawer | \$567.00 | N/A | |
| RV-IBFS-1300-DS | Inbuilt Fridge Slide - flush fitting 1300L (Driver Side) <i>Premium drawers only</i> | \$472.00 | N/A | |
| RV-IBFS-1300-PS | Inbuilt Fridge Slide - flush fitting 1300L (Passenger Side) <i>Premium drawers only</i> | \$472.00 | N/A | |
| PS/PA-RV-FS-1 | Heavy Duty Fridge Slide - 750L x 455W x 80H (external incl. Travel Lock) | \$472.00 | \$522.00 | |
| PS-RV-FS-1-SO | Heavy Duty Fridge Slide - 450L x 770W x 110H (external incl. Travel Lock) | \$472.00 | N/A | |
| PS/PA-RV-FS-1.5 | Heavy Duty Fridge Slide - 750L x 530W x 80H (external incl. Travel Lock) | \$520.00 | \$570.00 | |
| PS/PA-RV-FS-2 | Heavy Duty Fridge Slide - 850L x 560W x 80H (external incl. Travel Lock) | \$567.00 | \$617.00 | |
| PS-RV-FS-2-SO | Heavy Duty Fridge Slide - 550L x 870W x 110H (external incl. Travel Lock) | \$567.00 | N/A | |
| PS/PA-RV-FS-2.25 | Heavy Duty Fridge Slide - 950L x 560W x 80H (external incl. Travel Lock) | \$590.00 | \$640.00 | |
| PS/PA-RV-FS-2.5 | Heavy Duty Fridge Slide - 1050L x 560W x 80H (external incl. Travel Lock) | \$685.00 | \$735.00 | |
| PS/PA-RV-FS-3 | Heavy Duty Fridge Slide - 1410L x 455W x 80H (external incl. Travel Lock) | \$886.00 | \$961.00 | |
| PS/PA-RV-FS-3.5 | Heavy Duty Fridge Slide - 1410L x 560W x 80H (external incl. Travel Lock) | \$886.00 | \$961.00 | |

Travel Slide Drawers available on page 181

| VEHICLE MAKE MODEL | FORD RANGER PX / RAPTOR DUAL CAB (Crew Cab) XL, XLT, Wildtrak (OCT 2011- MAY 2022) - 1450x1020 NO TUB LINER / SPRAY ON LINER, NO ROLLER SHUTTER | | |
|---|---|------------|------------|
| PA: Premium Alloy PS: Premium Steel EL: EcoLite | TRADE HEIGHT DRAWERS +\$100 PER DRAWER PREMLBK: PREMIUM BLACK RRP +180.00 (option) | | |
| | DESCRIPTION (PRICES INCLUDE WING KIT UNLESS OTHERWISE STATED) | PS RRP | PA RRP |
| PS/PA-030301A-455127-SSL | Single Drawer & Wing Kit - Standard Height to Passenger Side 1450L x 510W x 275H | \$1,515.00 | \$1,665.00 |
| PS/PA-030301A-455127-SSR | Single Drawer & Wing Kit - Standard Height to Driver Side 1450L x 510W x 275H | \$1,515.00 | \$1,665.00 |
| PS/PA-030301A-455136-SHL | Single Drawer & Wing Kit - Trade Height to Passenger Side 1450L x 510W x 365H | \$1,615.00 | \$1,765.00 |
| PS/PA-030301A-455136-SHR | Single Drawer & Wing Kit - Trade Height to Driver Side 1450L x 510W x 365H | \$1,615.00 | \$1,765.00 |
| EL-030301A-451227-TDS | EcoLite Twin Drawer & Wing Kit - Standard Height 1450L x 1020W x 275H | \$2,110.00 | N/A |
| PS/PA-030301A-451227-TDS | Twin Drawer & Wing Kit - Standard Height 1450L x 1020W x 275H | \$2,925.00 | \$3,225.00 |
| PS-030301A-451236-TDH | Twin Drawer & Wing Kit - Trade Height 1450L x 1020W x 365H | \$3,125.00 | N/A |
| PS/PA-030301A-451230-FDC-E/D | Fridge Drawer Combo with 30L Engel/Dometic Fitkit - 1450L x 1020W x 300H **Fridge not included Liftout Hatch provided to access space behind the fridge (100mm narrower if tie downs added to top) - 633L x 431W | \$2,690.00 | \$2,840.00 |
| PS/PA-030301A-451236-FDC-EK | Fridge Drawer Combo with 40L EvaKool Fitkit - 1450L x 1020W x 365H **Fridge not included Liftout Hatch provided to access space behind the fridge (100mm narrower if tie downs added to top) - 633L x 560W | \$2,800.00 | \$2,950.00 |
| PS/PA-030301A-451236-FDC-IM | Fridge Drawer Combo with 40L Ironman Fitkit - 1450L x 1020W x 365H **Fridge not included Liftout Hatch provided to access space behind the fridge (100mm narrower if tie downs added to top) - 633L x 510W | \$2,800.00 | \$2,950.00 |
| PS/PA-030301A-451236-FDC-BM | Fridge Drawer Combo with 30L Bushman Fitkit - 1450L x 1020W x 365H **Fridge not included Liftout Hatch provided to access space behind the fridge (100mm narrower if tie downs added to top) - 633L x 431W | \$2,800.00 | \$2,950.00 |
| PS/PA-030301A-451227-1SL | Easy Access Combo 1 & Wing Kit - Small Low Platform to Passenger Side (Gap size 510W). Single Drawer O/A 1450L x 510W x 275H. Total Combo O/A 1450L x 1020W x 275H. (Suits RV-FS-1 or 3*Not Included) | \$2,435.00 | \$2,585.00 |
| PS/PA-030301A-451227-1SR | Easy Access Combo 1 & Wing Kit - Small Low Platform to Driver Side (Gap size 510W). Single Drawer O/A 1450L x 510W x 275H. Total Combo O/A 1450L x 1020W x 275H. (Suits RV-FS-1 or 3*Not Included) | \$2,435.00 | \$2,585.00 |
| PS/PA-030301A-451227-1LL | Easy Access Combo 1 & Wing Kit - Large Low Platform to Passenger Side (Gap size 570W). Single Drawer O/A 1450L x 450W x 275H. Total Combo O/A 1450L x 1020W x 275H. (Suits all RV-FS listed below except SO *Not Included) | \$2,435.00 | \$2,585.00 |
| PS/PA-030301A-451227-1LR | Easy Access Combo 1 & Wing Kit - Large Low Platform to Driver Side (Gap size 570W). Single Drawer O/A 1450L x 450W x 275H. Total Combo O/A 1450L x 1020W x 275H. (Suits all RV-FS listed below except SO *Not Included) | \$2,435.00 | \$2,585.00 |
| PS/PA-030301A-451227-2SL | Easy Access Combo 2 & Wing Kit - Small Low Platform to Passenger Side (Gap size 510W). Double Stacked Drawers (Standard Height Bottom Drawer O/A 1450L x 510W x 275H, Trade Height Top Drawer O/A 1100L x 510W x 365H). Total Combo O/A 1450L x 1020W x 640H. (Suits RV-FS-1 or 3*Not Included). Optional 1100L Standard Height top drawer minus -\$100.00 | \$3,155.00 | \$3,455.00 |
| PS/PA-030301A-451227-2SR | Easy Access Combo 2 & Wing Kit - Small Low Platform to Driver Side (Gap size 510W). Double Stacked Drawers (Standard Height Bottom Drawer O/A 1450L x 510W x 275H, Trade Height Top Drawer O/A 1100L x 510W x 365H). Total Combo O/A 1450L x 1020W x 640H. (Suits RV-FS-1 or 3*Not Included). Optional 1100L Standard Height top drawer minus -\$100.00 | \$3,155.00 | \$3,455.00 |
| PS/PA-030301A-451227-2LL | Easy Access Combo 2 & Wing Kit - Large Low Platform to Passenger Side (Gap size 570W). Double Stacked Drawers (Standard Height Bottom Drawer O/A 1450L x 450W x 275H, Trade Height Top Drawer O/A 1100L x 450W x 365H). Total Combo O/A 1450L x 1020W x 640H. (Suits all RV-FS listed below except SO *Not Included). Optional 1100L Standard Height top drawer minus -\$100.00 | \$3,155.00 | \$3,455.00 |
| PS/PA-030301A-451227-2LR | Easy Access Combo 2 & Wing Kit - Large Low Platform to Driver Side (Gap size 570W). Double Stacked Drawers (Standard Height Bottom Drawer O/A 1450L x 450W x 275H, Trade Height Top Drawer O/A 1100L x 450W x 365H). Total Combo O/A 1450L x 1020W x 640H. (Suits all RV-FS listed below except SO *Not Included). Optional 1100L Standard Height top drawer minus -\$100.00 | \$3,155.00 | \$3,455.00 |
| RV-EAC-IFP-1450 | Easy Access Combo INFILL PANEL - covers fridge slide cavity to create a flat solid top effect (NOTE: top drawer must be removed on EAC-2 systems) | \$224.00 | N/A |
| RV-CS-1451-00 | Cargo Shelf single - 1400L Ventilated side panel and solid top shelf to fit FS-1 (small fridge space) Suits EAC-1 1400L x 1020W | \$803.00 | N/A |
| RV-CS-1457-00 | Cargo Shelf single - 1400L Ventilated side panel and solid top shelf to fit FS-1.5 & FS-2 (large fridge space) Suits EAC-1 x 1400L x 1020W | \$803.00 | N/A |
| RV-CS-0812-00 | Cargo Shelf double - 800L Ventilated side panel and solid top shelf system. Fits EAC-2 1400L x 1020W fitted with a Trade Height top drawer. | \$567.00 | N/A |
| RV-IBFS-1300-DS | Inbuilt Fridge Slide - flush fitting 1300L (Driver Side) Premium drawers only | \$472.00 | N/A |
| RV-IBFS-1300-PS | Inbuilt Fridge Slide - flush fitting 1300L (Passenger Side) Premium drawers only | \$472.00 | N/A |
| PS/PA-RV-FS-1 | Heavy Duty Fridge Slide - 750L x 455W x 80H (external incl. Travel Lock) | \$472.00 | \$522.00 |
| PS-RV-FS-1-SO | Heavy Duty Fridge Slide - 450L x 770W x 110H (external incl. Travel Lock) | \$472.00 | N/A |
| PS/PA-RV-FS-1.5 | Heavy Duty Fridge Slide - 750L x 530W x 80H (external incl. Travel Lock) | \$520.00 | \$570.00 |
| PS/PA-RV-FS-2 | Heavy Duty Fridge Slide - 850L x 560W x 80H (external incl. Travel Lock) | \$567.00 | \$617.00 |
| PS-RV-FS-2-SO | Heavy Duty Fridge Slide - 550L x 870W x 110H (external incl. Travel Lock) | \$567.00 | N/A |
| PS/PA-RV-FS-2.25 | Heavy Duty Fridge Slide - 950L x 560W x 80H (external incl. Travel Lock) | \$590.00 | \$640.00 |
| PS/PA-RV-FS-2.5 | Heavy Duty Fridge Slide - 1050L x 560W x 80H (external incl. Travel Lock) | \$685.00 | \$735.00 |
| PS/PA-RV-FS-3 | Heavy Duty Fridge Slide - 1410L x 455W x 80H (external incl. Travel Lock) | \$886.00 | \$961.00 |
| PS/PA-RV-FS-3.5 | Heavy Duty Fridge Slide - 1410L x 560W x 80H (external incl. Travel Lock) | \$886.00 | \$961.00 |

2020 Ranger Raptor comes standard with spray on liner - Pricing is the same as no liner - Please mention if it has a spray on liner when placing order
 Travel Slide Drawers available on page 181
 Inbuilt Fridge Slides N/A for alloy drawers

| VEHICLE MAKE MODEL | FORD RANGER PX / RAPTOR DUAL CAB (Crew Cab) Wildtrak (OCT 2011- MAY 2022) - 1450x1020 / 1200x1020 NO TUB LINER / SPRAY ON LINER, WITH ROLLER SHUTTER | FORD | |
|--|---|------------|------------|
| PA: Premium Alloy PS: Premium Steel EL: EcoLite | TRADE HEIGHT DRAWERS +\$100 PER DRAWER | | |
| | PREMLBK: PREMIUM BLACK RRP +180.00 (option) | | |
| | DESCRIPTION (PRICES INCLUDE WING KIT UNLESS OTHERWISE STATED) | PS RRP | PA RRP |
| PS/PA-030301B-455127-SSL | Single Drawer & Wing Kit - Standard Height to Passenger Side 1450L x 510W x 275H | \$1,515.00 | \$1,665.00 |
| PS/PA-030301B-455127-SSR | Single Drawer & Wing Kit - Standard Height to Driver Side 1450L x 510W x 275H | \$1,515.00 | \$1,665.00 |
| PS/PA-030301B-125136-SHL | Single Drawer & Wing Kit - Trade Height to Passenger Side 1200L x 510W x 365H | \$1,540.00 | \$1,690.00 |
| PS/PA-030301B-125136-SHR | Single Drawer & Wing Kit - Trade Height to Driver Side 1200L x 510W x 365H | \$1,540.00 | \$1,690.00 |
| EL-030301B-451227-TDS | EcoLite Twin Drawer & Wing Kit - Standard Height 1450L x 1020W x 275H | \$2,110.00 | N/A |
| PS/PA-030301B-451227-TDS | Twin Drawer & Wing Kit - Standard Height 1450L x 1020W x 275H | \$2,925.00 | \$3,225.00 |
| PS/PA-030301B-121236-TDH | Twin Drawer & Wing Kit - Trade Height 1200L x 1020W x 365H | \$2,970.00 | \$3,270.00 |
| PS/PA-030301B-121230-FDC-E/D | Fridge Drawer Combo with 30L Engel/Dometic Fitkit - 1200L x 1020W x 300H **Fridge not included Liftout Hatch provided to access space behind the fridge (100mm narrower if tie downs added to top) - 383L x 431W | \$2,635.00 | \$2,785.00 |
| PS/PA-030301B-121236-FDC-EK | Fridge Drawer Combo with 40L EvaKool Fitkit - 1200L x 1020W x 365H **Fridge not included Liftout Hatch provided to access space behind the fridge (100mm narrower if tie downs added to top) - 383L x 560W | \$2,745.00 | \$2,895.00 |
| PS/PA-030301B-121236-FDC-IM | Fridge Drawer Combo with 40L Ironman Fitkit - 1200L x 1020W x 365H **Fridge not included Liftout Hatch provided to access space behind the fridge (100mm narrower if tie downs added to top) - 383L x 510W | \$2,745.00 | \$2,895.00 |
| PS/PA-030301B-121236-FDC-BM | Fridge Drawer Combo with 30L Bushman Fitkit - 1200L x 1020W x 365H **Fridge not included Liftout Hatch provided to access space behind the fridge (100mm narrower if tie downs added to top) - 383L x 431W | \$2,745.00 | \$2,895.00 |
| PS/PA-030301B-451227-1SL | Easy Access Combo 1 Standard Height & Wing Kit - Small Low Platform to Passenger Side (Gap size 510W). Single Drawer STANDARD HEIGHT O/A 1450L x 510W x 275H. Total Combo O/A 1450L x 1020W x 275H. (Suits RV-FS-1 *Not Included) | \$2,435.00 | \$2,585.00 |
| PS/PA-030301B-451227-1SR | Easy Access Combo 1 Standard Height & Wing Kit - Small Low Platform to Driver Side (Gap size 510W). Single Drawer STANDARD HEIGHT O/A 1450L x 510W x 275H. Total Combo O/A 1450L x 1020W x 275H. (Suits RV-FS-1 *Not Included) | \$2,435.00 | \$2,585.00 |
| PS/PA-030301B-451227-1LL | Easy Access Combo 1 Standard Height & Wing Kit - Large Low Platform to Passenger Side (Gap size 570W). Single Drawer STANDARD HEIGHT O/A 1450L x 450W x 275H. Total Combo O/A 1450L x 1020W x 275H. (Suits all RV-FS listed below except SO *Not Included) | \$2,435.00 | \$2,585.00 |
| PS/PA-030301B-451227-1LR | Easy Access Combo 1 Standard Height & Wing Kit - Large Low Platform to Driver Side (Gap size 570W). Single Drawer STANDARD HEIGHT O/A 1450L x 450W x 275H. Total Combo O/A 1450L x 1020W x 275H. (Suits all RV-FS listed below except SO *Not Included) | \$2,435.00 | \$2,585.00 |
| PS/PA-030301B-121236-1SL | Easy Access Combo 1 Trade Height & Wing Kit - Small Low Platform to Passenger Side (Gap size 510W). Single Drawer TRADE HEIGHT O/A 1200L x 510W x 365H. Total Combo O/A 1200L x 1020W x 365H. (Suits RV-FS-1 *Not Included) | \$2,455.00 | \$2,605.00 |
| PS/PA-030301B-121236-1SR | Easy Access Combo 1 Trade Height & Wing Kit - Small Low Platform to Driver Side (Gap size 510W). Single Drawer TRADE HEIGHT O/A 1200L x 510W x 365H. Total Combo O/A 1200L x 1020W x 365H. (Suits RV-FS-1 *Not Included) | \$2,455.00 | \$2,605.00 |
| PS/PA-030301B-121236-1LL | Easy Access Combo 1 Trade Height & Wing Kit - Large Low Platform to Passenger Side (Gap size 570W). Single Drawer TRADE HEIGHT O/A 1200L x 450W x 365H. Total Combo O/A 1200L x 1020W x 365H. (Suits all RV-FS listed below except FS3, 3.5 & SO *Not Included) | \$2,455.00 | \$2,605.00 |
| PS/PA-030301B-121236-1LR | Easy Access Combo 1 Trade Height & Wing Kit - Large Low Platform to Driver Side (Gap size 570W). Single Drawer TRADE HEIGHT O/A 1200L x 450W x 365H. Total Combo O/A 1200L x 1020W x 365H. (Suits all RV-FS listed below except FS3, 3.5 & SO *Not Included) | \$2,455.00 | \$2,605.00 |
| RV-EAC-IFP-1450 | Easy Access Combo INFILL PANEL FOR STANDARD HEIGHT- covers fridge slide cavity for a flat solid top effect | \$224.00 | N/A |
| RV-EAC-IFP-1200 | Easy Access Combo INFILL PANEL FOR TRADE HEIGHT- covers fridge slide cavity for a flat solid top effect | \$224.00 | N/A |
| RV-IBFS-1300-DS | Inbuilt Fridge Slide - flush fitting 1300L (Driver Side) <i>Standard Height Premium Twin Drawers Only</i> | \$472.00 | N/A |
| RV-IBFS-1300-PS | Inbuilt Fridge Slide - flush fitting 1300L (Passenger Side) <i>Standard Height Premium Twin Drawers Only</i> | \$472.00 | N/A |
| RV-IBFS-1000-DS | Inbuilt Fridge Slide - flush fitting 1000L (Driver Side) <i>STEEL TRADE HEIGHT Premium Twin Drawers</i> | \$448.00 | N/A |
| RV-IBFS-1000-PS | Inbuilt Fridge Slide - flush fitting 1000L (Passenger Side) <i>STEEL TRADE HEIGHT Premium Twin Drawers</i> | \$448.00 | N/A |
| PS/PA-RV-FS-1 | Heavy Duty Fridge Slide - 750L x 455W x 80H (external incl. Travel Lock) | \$472.00 | \$522.00 |
| PS-RV-FS-1-SO | Heavy Duty Fridge Slide - 450L x 770W x 110H (external incl. Travel Lock) | \$472.00 | N/A |
| PS/PA-RV-FS-1.5 | Heavy Duty Fridge Slide - 750L x 530W x 80H (external incl. Travel Lock) | \$520.00 | \$570.00 |
| PS/PA-RV-FS-2 | Heavy Duty Fridge Slide - 850L x 560W x 80H (external incl. Travel Lock) | \$567.00 | \$617.00 |
| PS-RV-FS-2-SO | Heavy Duty Fridge Slide - 550L x 870W x 110H (external incl. Travel Lock) | \$567.00 | N/A |
| PS/PA-RV-FS-2.25 | Heavy Duty Fridge Slide - 950L x 560W x 80H (external incl. Travel Lock) | \$590.00 | \$640.00 |
| PS/PA-RV-FS-2.5 | Heavy Duty Fridge Slide - 1050L x 560W x 80H (external incl. Travel Lock) | \$685.00 | \$735.00 |
| PS/PA-RV-FS-3 | Heavy Duty Fridge Slide - 1410L x 455W x 80H (external incl. Travel Lock) **Not Available For Trade Height | \$886.00 | \$961.00 |
| PS/PA-RV-FS-3.5 | Heavy Duty Fridge Slide - 1410L x 560W x 80H (external incl. Travel Lock) **Not Available For Trade Height | \$886.00 | \$961.00 |
| 2020 Ranger Raptor comes standard with spray on liner - Pricing is the same as no liner - Please mention if it has a spray on liner when placing order | | | |
| Travel Slide Drawers available on page 181 | | | |
| Inbuilt Fridge Slides N/A for alloy drawers | | | |

| VEHICLE MAKE MODEL | FORD RANGER PX DUAL CAB (Crew Cab) XL, XLT, Wildtrak (OCT 2011- 2016) - 1400x1020 WITH FORD GENUINE TUB LINER, NO ROLLER SHUTTER | FORD | | |
|---|--|---|------------|------------|
| TRADE HEIGHT DRAWERS +\$100 PER DRAWER | | | | |
| PREMLK: PREMIUM BLACK RRP +180.00 (option) | | | | |
| PA: Premium Alloy PS: Premium Steel EL: EcoLite | | DESCRIPTION (PRICES INCLUDE WING KIT UNLESS OTHERWISE STATED) | PS RRP | PA RRP |
| PS/PA-030302A-145127-SSL | Single Drawer & Wing Kit - Standard Height to Passenger Side 1400L x 510W x 275H | | \$1,485.00 | \$1,635.00 |
| PS/PA-030302A-145127-SSR | Single Drawer & Wing Kit - Standard Height to Driver Side 1400L x 510W x 275H | | \$1,485.00 | \$1,635.00 |
| PS/PA-030302A-145136-SHL | Single Drawer & Wing Kit - Trade Height to Passenger Side 1400L x 510W x 365H | | \$1,585.00 | \$1,735.00 |
| PS/PA-030302A-145136-SHR | Single Drawer & Wing Kit - Trade Height to Driver Side 1400L x 510W x 365H | | \$1,585.00 | \$1,735.00 |
| EL-030302A-141227-TDS | EcoLite Twin Drawer & Wing Kit - Standard Height 1400L x 1020W x 275H | | \$2,080.00 | N/A |
| PS/PA-030302A-141227-TDS | Twin Drawer & Wing Kit - Standard Height 1400L x 1020W x 275H | | \$2,870.00 | \$3,170.00 |
| PS/PA-030302A-141236-TDH | Twin Drawer & Wing Kit - Trade Height 1400L x 1020W x 365H | | \$3,070.00 | \$3,370.00 |
| PS/PA-030302A-141230-FDC-E/D | Fridge Drawer Combo with 30L Engel/Dometic Fitkit - 1400L x 1020W x 300H **Fridge not included Liftout Hatch provided to access space behind the fridge (100mm narrower if tie downs added to top) - 583L x 431W | | \$2,690.00 | \$2,840.00 |
| PS/PA-030302A-141236-FDC-EK | Fridge Drawer Combo with 40L EvaKool Fitkit - 1400L x 1020W x 365H **Fridge not included Liftout Hatch provided to access space behind the fridge (100mm narrower if tie downs added to top) - 583L x 560W | | \$2,800.00 | \$2,950.00 |
| PS/PA-030302A-141236-FDC-IM | Fridge Drawer Combo with 40L Ironman Fitkit - 1400L x 1020W x 365H **Fridge not included Liftout Hatch provided to access space behind the fridge (100mm narrower if tie downs added to top) - 583L x 510W | | \$2,800.00 | \$2,950.00 |
| PS/PA-030302A-141236-FDC-BM | Fridge Drawer Combo with 30L Bushman Fitkit - 1400L x 1020W x 365H **Fridge not included Liftout Hatch provided to access space behind the fridge (100mm narrower if tie downs added to top) - 583L x 431W | | \$2,800.00 | \$2,950.00 |
| PS/PA-030302A-141227-1SL | Easy Access Combo 1 & Wing Kit - Small Low Platform to Passenger Side (Gap size 510W). Single Drawer O/A 1400L x 510W x 275H. Total Combo O/A 1400L x 1020W x 275H. (Suits RV-FS-1 or 3 *Not Included) | | \$2,410.00 | \$2,560.00 |
| PS/PA-030302A-141227-1SR | Easy Access Combo 1 & Wing Kit - Small Low Platform to Driver Side (Gap size 510W). Single Drawer O/A 1400L x 510W x 275H. Total Combo O/A 1400L x 1020W x 275H. (Suits RV-FS-1 or 3 *Not Included) | | \$2,410.00 | \$2,560.00 |
| PS/PA-030302A-141227-1LL | Easy Access Combo 1 & Wing Kit - Large Low Platform to Passenger Side (Gap size 570W). Single Drawer O/A 1400L x 450W x 275H. Total Combo O/A 1400L x 1020W x 275H. (Suits all RV-FS listed below except SO *Not Included) | | \$2,410.00 | \$2,560.00 |
| PS/PA-030302A-141227-1LR | Easy Access Combo 1 & Wing Kit - Large Low Platform to Driver Side (Gap size 570W). Single Drawer O/A 1400L x 450W x 275H. Total Combo O/A 1400L x 1020W x 275H. (Suits all RV-FS listed below except SO *Not Included) | | \$2,410.00 | \$2,560.00 |
| PS/PA-030302A-141227-2SL | Easy Access Combo 2 & Wing Kit - Small Low Platform to Passenger Side (Gap size 510W). Double Stacked Drawers (Standard Height Bottom Drawer O/A 1400L x 510W x 275H, Trade Height Top Drawer O/A 1100L x 510W x 365H). Total Combo O/A 1400L x 1020W x 640H. (Suits RV-FS-1 or 3 *Not Included). Optional 1100L Standard Height top drawer minus -\$100.00 | | \$3,100.00 | \$3,400.00 |
| PS/PA-030302A-141227-2SR | Easy Access Combo 2 & Wing Kit - Small Low Platform to Driver Side (Gap size 510W). Double Stacked Drawers (Standard Height Bottom Drawer O/A 1400L x 510W x 275H, Trade Height Top Drawer O/A 1100L x 510W x 365H). Total Combo O/A 1400L x 1020W x 640H. (Suits RV-FS-1 or 3 *Not Included). Optional 1100L Standard Height top drawer minus -\$100.00 | | \$3,100.00 | \$3,400.00 |
| PS/PA-030302A-141227-2LL | Easy Access Combo 2 & Wing Kit - Large Low Platform to Passenger Side (Gap size 570W). Double Stacked Drawers (Standard Height Bottom Drawer O/A 1400L x 450W x 275H, Trade Height Top Drawer O/A 1100L x 450W x 365H). Total Combo O/A 1400L x 1020W x 640H. (Suits all RV-FS listed below except SO *Not Included). Optional 1100L Standard Height top drawer minus -\$100.00 | | \$3,100.00 | \$3,400.00 |
| PS/PA-030302A-141227-2LR | Easy Access Combo 2 & Wing Kit - Large Low Platform to Driver Side (Gap size 570W). Double Stacked Drawers (Standard Height Bottom Drawer O/A 1400L x 450W x 275H, Trade Height Top Drawer O/A 1100L x 450W x 365H). Total Combo O/A 1400L x 1020W x 640H. (Suits all RV-FS listed below except SO *Not Included). Optional 1100L Standard Height top drawer minus -\$100.00 | | \$3,100.00 | \$3,400.00 |
| RV-EAC-IFP-1400 | Easy Access Combo INFILL PANEL - covers fridge slide cavity to create a flat solid top effect (NOTE: top drawer must be removed on EAC-2 systems) | | \$224.00 | N/A |
| RV-CS-1451-00 | Cargo Shelf single - 1400L Ventilated side panel and solid top shelf to fit FS-1 (small fridge space) Suits EAC-1 1400L x 1020W | | \$803.00 | N/A |
| RV-CS-1457-00 | Cargo Shelf single - 1400L Ventilated side panel and solid top shelf to fit FS-1.5 & FS-2 (large fridge space) Suits EAC-1 x 1400L x 1020W | | \$803.00 | N/A |
| RV-CS-0812-00 | Cargo Shelf double - 800L Ventilated side panel and solid top shelf system. Fits EAC-2 1400L x 1020W fitted with a Trade Height top drawer | | \$567.00 | N/A |
| RV-IBFS-1300-DS | Inbuilt Fridge Slide - flush fitting 1300L (Driver Side) <i>Premium drawers only</i> | | \$472.00 | N/A |
| RV-IBFS-1300-PS | Inbuilt Fridge Slide - flush fitting 1300L (Passenger Side) <i>Premium drawers only</i> | | \$472.00 | N/A |
| PS/PA-RV-FS-1 | Heavy Duty Fridge Slide - 750L x 455W x 80H (external incl. Travel Lock) | | \$472.00 | \$522.00 |
| PS-RV-FS-1-SO | Heavy Duty Fridge Slide - 450L x 770W x 110H (external incl. Travel Lock) | | \$472.00 | N/A |
| PS/PA-RV-FS-1.5 | Heavy Duty Fridge Slide - 750L x 530W x 80H (external incl. Travel Lock) | | \$520.00 | \$570.00 |
| PS/PA-RV-FS-2 | Heavy Duty Fridge Slide - 850L x 560W x 80H (external incl. Travel Lock) | | \$567.00 | \$617.00 |
| PS-RV-FS-2-SO | Heavy Duty Fridge Slide - 550L x 870W x 110H (external incl. Travel Lock) | | \$567.00 | N/A |
| PS/PA-RV-FS-2.25 | Heavy Duty Fridge Slide - 950L x 560W x 80H (external incl. Travel Lock) | | \$590.00 | \$640.00 |
| PS/PA-RV-FS-2.5 | Heavy Duty Fridge Slide - 1050L x 560W x 80H (external incl. Travel Lock) | | \$685.00 | \$735.00 |
| PS/PA-RV-FS-3 | Heavy Duty Fridge Slide - 1410L x 455W x 80H (external incl. Travel Lock) | | \$886.00 | \$961.00 |
| PS/PA-RV-FS-3.5 | Heavy Duty Fridge Slide - 1410L x 560W x 80H (external incl. Travel Lock) | | \$886.00 | \$961.00 |

Travel Slide Drawers available on page 181
Inbuilt Fridge Slides N/A for alloy drawers

| VEHICLE MAKE MODEL | FORD RANGER PX DUAL CAB (Crew Cab) Wildtrak (OCT 2011- 2016) - 1400x1020 / 1200x1020 WITH FORD GENUINE TUB LINER, WITH ROLLER SHUTTER | FORD | |
|---|---|------------|------------|
| PA: Premium Alloy PS: Premium Steel EL: EcoLite | TRADE HEIGHT DRAWERS +\$100 PER DRAWER | | |
| | PREMLK: PREMIUM BLACK RRP +180.00 (option) | | |
| | DESCRIPTION (PRICES INCLUDE WING KIT UNLESS OTHERWISE STATED) | PS RRP | PA RRP |
| PS/PA-030302B-145127-SSL | Single Drawer & Wing Kit - Standard Height to Passenger Side 1400L x 510W x 275H | \$1,485.00 | \$1,635.00 |
| PS/PA-030302B-145127-SSR | Single Drawer & Wing Kit - Standard Height to Driver Side 1400L x 510W x 275H | \$1,485.00 | \$1,635.00 |
| PS/PA-030302B-125136-SHL | Single Drawer & Wing Kit - Trade Height to Passenger Side 1200L x 510W x 365H | \$1,540.00 | \$1,690.00 |
| PS/PA-030302B-125136-SHR | Single Drawer & Wing Kit - Trade Height to Driver Side 1200L x 510W x 365H | \$1,540.00 | \$1,690.00 |
| EL-030302B-141227-TDS | EcoLite Twin Drawer & Wing Kit - Standard Height 1400L x 1020W x 275H | \$2,080.00 | N/A |
| PS/PA-030302B-141227-TDS | Twin Drawer & Wing Kit - Standard Height 1400L x 1020W x 275H | \$2,870.00 | \$3,170.00 |
| PS/PA-030302B-121236-TDH | Twin Drawer & Wing Kit - Trade Height 1200L x 1020W x 365H | \$2,970.00 | \$3,270.00 |
| PS/PA-030302B-121230-FDC-E/D | Fridge Drawer Combo with 30L Engel/Dometic Fitkit - 1200L x 1020W x 300H **Fridge not included Liftout Hatch provided to access space behind the fridge (100mm narrower if tie downs added to top) - 383L x 431W | \$2,635.00 | \$2,785.00 |
| PS/PA-030302B-121236-FDC-EK | Fridge Drawer Combo with 40L EvaKool Fitkit - 1200L x 1020W x 365H **Fridge not included Liftout Hatch provided to access space behind the fridge (100mm narrower if tie downs added to top) - 383L x 560W | \$2,745.00 | \$2,895.00 |
| PS/PA-030302B-121236-FDC-IM | Fridge Drawer Combo with 40L Ironman Fitkit - 1200L x 1020W x 365H **Fridge not included Liftout Hatch provided to access space behind the fridge (100mm narrower if tie downs added to top) - 383L x 510W | \$2,745.00 | \$2,895.00 |
| PS/PA-030302B-121236-FDC-BM | Fridge Drawer Combo with 30L Bushman Fitkit - 1200L x 1020W x 365H **Fridge not included Liftout Hatch provided to access space behind the fridge (100mm narrower if tie downs added to top) - 383L x 431W | \$2,745.00 | \$2,895.00 |
| PS/PA-030302B-141227-1SL | Easy Access Combo 1 Standard Height & Wing Kit - Small Low Platform to Passenger Side (Gap size 510W). Single Drawer STANDARD HEIGHT O/A 1400L x 510W x 275H. Total Combo O/A 1400L x 1020W x 275H. (Suits RV-FS-1 or 3 *Not Included) | \$2,410.00 | \$2,560.00 |
| PS/PA-030302B-141227-1SR | Easy Access Combo 1 Standard Height & Wing Kit - Small Low Platform to Driver Side (Gap size 510W). Single Drawer STANDARD HEIGHT O/A 1400L x 510W x 275H. Total Combo O/A 1400L x 1020W x 275H. (Suits RV-FS-1 or 3 *Not Included) | \$2,410.00 | \$2,560.00 |
| PS/PA-030302B-141227-1LL | Easy Access Combo 1 Standard Height & Wing Kit - Large Low Platform to Passenger Side (Gap size 570W). Single Drawer STANDARD HEIGHT O/A 1400L x 450W x 275H. Total Combo O/A 1400L x 1020W x 275H. (Suits all RV-FS listed below except SO *Not Included) | \$2,410.00 | \$2,560.00 |
| PS/PA-030302B-141227-1LR | Easy Access Combo 1 Standard Height & Wing Kit - Large Low Platform to Driver Side (Gap size 570W). Single Drawer STANDARD HEIGHT O/A 1400L x 450W x 275H. Total Combo O/A 1400L x 1020W x 275H. (Suits all RV-FS listed below except SO *Not Included) | \$2,410.00 | \$2,560.00 |
| PS/PA-030302B-121236-1SL | Easy Access Combo 1 Trade Height & Wing Kit - Small Low Platform to Passenger Side (Gap size 510W). Single Drawer TRADE HEIGHT O/A 1200L x 510W x 365H. Total Combo O/A 1200L x 1020W x 365H. (Suits RV-FS-1 *Not Included) | \$2,455.00 | \$2,605.00 |
| PS/PA-030302B-121236-1SR | Easy Access Combo 1 Trade Height & Wing Kit - Small Low Platform to Driver Side (Gap size 510W). Single Drawer TRADE HEIGHT O/A 1200L x 510W x 365H. Total Combo O/A 1200L x 1020W x 365H. (Suits RV-FS-1 *Not Included) | \$2,455.00 | \$2,605.00 |
| PS/PA-030302B-121236-1LL | Easy Access Combo 1 Trade Height & Wing Kit - Large Low Platform to Passenger Side (Gap size 570W). Single Drawer TRADE HEIGHT O/A 1200L x 450W x 365H. Total Combo O/A 1200L x 1020W x 365H. (Suits all RV-FS listed below except FS3, 3.5 & SO *Not Included) | \$2,455.00 | \$2,605.00 |
| PS/PA-030302B-121236-1LR | Easy Access Combo 1 Trade Height & Wing Kit - Large Low Platform to Driver Side (Gap size 570W). Single Drawer TRADE HEIGHT O/A 1200L x 450W x 365H. Total Combo O/A 1200L x 1020W x 365H. (Suits all RV-FS listed below except FS3, 3.5 & SO *Not Included) | \$2,455.00 | \$2,605.00 |
| RV-EAC-IFP-1400 | Easy Access Combo INFILL PANEL FOR STANDARD HEIGHT- covers fridge slide cavity for a flat solid top effect | \$224.00 | N/A |
| RV-EAC-IFP-1200 | Easy Access Combo INFILL PANEL FOR TRADE HEIGHT- covers fridge slide cavity for a flat solid top effect | \$224.00 | N/A |
| RV-IBFS-1300-DS | Inbuilt Fridge Slide - flush fitting 1300L (Driver Side) <i>Standard Height Premium Twin Drawers Only</i> | \$472.00 | N/A |
| RV-IBFS-1300-PS | Inbuilt Fridge Slide - flush fitting 1300L (Passenger Side) <i>Standard Height Premium Twin Drawers Only</i> | \$472.00 | N/A |
| RV-IBFS-1000-DS | Inbuilt Fridge Slide - flush fitting 1000L (Driver Side) <i>STEEL TRADE HEIGHT Premium Twin Drawers</i> | \$448.00 | N/A |
| RV-IBFS-1000-PS | Inbuilt Fridge Slide - flush fitting 1000L (Passenger Side) <i>STEEL TRADE HEIGHT Premium Twin Drawers</i> | \$448.00 | N/A |
| PS/PA-RV-FS-1 | Heavy Duty Fridge Slide - 750L x 455W x 80H (external incl. Travel Lock) | \$472.00 | \$522.00 |
| PS-RV-FS-1-SO | Heavy Duty Fridge Slide - 450L x 770W x 110H (external incl. Travel Lock) | \$472.00 | N/A |
| PS/PA-RV-FS-1.5 | Heavy Duty Fridge Slide - 750L x 530W x 80H (external incl. Travel Lock) | \$520.00 | \$570.00 |
| PS/PA-RV-FS-2 | Heavy Duty Fridge Slide - 850L x 560W x 80H (external incl. Travel Lock) | \$567.00 | \$617.00 |
| PS-RV-FS-2-SO | Heavy Duty Fridge Slide - 550L x 870W x 110H (external incl. Travel Lock) | \$567.00 | N/A |
| PS/PA-RV-FS-2.25 | Heavy Duty Fridge Slide - 950L x 560W x 80H (external incl. Travel Lock) | \$590.00 | \$640.00 |
| PS/PA-RV-FS-2.5 | Heavy Duty Fridge Slide - 1050L x 560W x 80H (external incl. Travel Lock) | \$685.00 | \$735.00 |
| PS/PA-RV-FS-3 | Heavy Duty Fridge Slide - 1410L x 455W x 80H (external incl. Travel Lock) **Not Available For Trade Height | \$886.00 | \$961.00 |
| PS/PA-RV-FS-3.5 | Heavy Duty Fridge Slide - 1410L x 560W x 80H (external incl. Travel Lock) **Not Available For Trade Height | \$886.00 | \$961.00 |
| Travel Slide Drawers available on page 181 Inbuilt Fridge Slides N/A for alloy drawers | | | |

| VEHICLE MAKE MODEL | FORD RANGER PX SUPER CAB (Extra Cab) XL, XLT, WILDTRAK (OCT 2011- MAY 2022) - 1700x1020 NO TUB LINER, NO ROLLER SHUTTER | FORD | |
|---|--|------------|----------|
| PA: Premium Alloy PS: Premium Steel EL: EcoLite | ALLOY DRAWERS: N/A / TRADE HEIGHT DRAWERS +\$100 PER DRAWER | | |
| | PREMLK: PREMIUM BLACK RRP +180.00 (option) | | |
| | DESCRIPTION (PRICES INCLUDE WING KIT UNLESS OTHERWISE STATED) | PS RRP | PA RRP |
| PS-030303A-175127-SSL | Single Drawer & Wing Kit - Standard Height to Passenger Side 1700L x 510W x 275H | \$1,625.00 | N/A |
| PS-030303A-175127-SSR | Single Drawer & Wing Kit - Standard Height to Driver Side 1700L x 510W x 275H | \$1,625.00 | N/A |
| PS-030303A-175136-SHL | Single Drawer & Wing Kit - Trade Height to Passenger Side 1700L x 510W x 365H | \$1,725.00 | N/A |
| PS-030303A-175136-SHR | Single Drawer & Wing Kit - Trade Height to Driver Side 1700L x 510W x 365H | \$1,725.00 | N/A |
| EL-030303A-171227-TDS | EcoLite Twin Drawer & Wing Kit - Standard Height 1700L x 1020W x 275H | \$2,270.00 | N/A |
| PS-030303A-171227-TDS | Twin Drawer & Wing Kit - Standard Height 1700L x 1020W x 275H | \$3,145.00 | N/A |
| PS-030303A-171236-TDH | Twin Drawer & Wing Kit - Trade Height 1700L x 1020W x 365H | \$3,345.00 | N/A |
| PS-030303A-171230-FDC-E/D | Fridge Drawer Combo with 30L Engel/Dometic Fitkit - 1700L x 1020W x 300H **Fridge not included Liftout Hatch provided to access space behind the fridge (100mm narrower if tie downs added to top) - 883L x 431W | \$2,855.00 | N/A |
| PS-030303A-171236-FDC-EK | Fridge Drawer Combo with 40L EvaKool Fitkit - 1700L x 1020W x 365H **Fridge not included Liftout Hatch provided to access space behind the fridge (100mm narrower if tie downs added to top) - 883L x 560W | \$2,965.00 | N/A |
| PS-030303A-171236-FDC-IM | Fridge Drawer Combo with 40L Ironman Fitkit - 1700L x 1020W x 365H **Fridge not included Liftout Hatch provided to access space behind the fridge (100mm narrower if tie downs added to top) - 883L x 510W | \$2,965.00 | N/A |
| PS-030303A-171236-FDC-BM | Fridge Drawer Combo with 30L Bushman Fitkit - 1700L x 1020W x 365H **Fridge not included Liftout Hatch provided to access space behind the fridge (100mm narrower if tie downs added to top) - 883L x 431W | \$2,965.00 | N/A |
| PS-030303A-171227-1SL | Easy Access Combo 1 & Wing Kit - Small Low Platform to Passenger Side (Gap size 510W). Single Drawer O/A 1700L x 510W x 275H. Total Combo O/A 1700L x 1020W x 275H. (Suits RV-FS-1 or 3 *Not Included) | \$2,630.00 | N/A |
| PS-030303A-171227-1SR | Easy Access Combo 1 & Wing Kit - Small Low Platform to Driver Side (Gap size 510W). Single Drawer O/A 1700L x 510W x 275H. Total Combo O/A 1700L x 1020W x 275H. (Suits RV-FS-1 or 3 *Not Included) | \$2,630.00 | N/A |
| PS-030303A-171227-1LL | Easy Access Combo 1 & Wing Kit - Large Low Platform to Passenger Side (Gap size 570W). Single Drawer O/A 1700L x 450W x 275H. Total Combo O/A 1700L x 1020W x 275H. (Suits all RV-FS listed below except SO *Not Included) | \$2,630.00 | N/A |
| PS-030303A-171227-1LR | Easy Access Combo 1 & Wing Kit - Large Low Platform to Driver Side (Gap size 570W). Single Drawer O/A 1700L x 450W x 275H. Total Combo O/A 1700L x 1020W x 275H. (Suits all RV-FS listed below except SO *Not Included) | \$2,630.00 | N/A |
| PS-030303A-171227-2SL | Easy Access Combo 2 & Wing Kit - Small Low Platform to Passenger Side (Gap size 510W). Double Stacked Drawers (Standard Height Bottom Drawer O/A 1700L x 510W x 275H, Trade Height Top Drawer O/A 1400L x 510W x 365H). Total Combo O/A 1700L x 1020W x 640H. (Suits RV-FS-1 or 3 *Not Included). Optional 1400L Standard Height top drawer minus -\$100.00 | \$3,375.00 | N/A |
| PS-030303A-171227-2SR | Easy Access Combo 2 & Wing Kit - Small Low Platform to Driver Side (Gap size 510W). Double Stacked Drawers (Standard Height Bottom Drawer O/A 1700L x 510W x 275H, Trade Height Top Drawer O/A 1400L x 510W x 365H). Total Combo O/A 1700L x 1020W x 640H. (Suits RV-FS-1 or 3 *Not Included). Optional 1400L Standard Height top drawer minus -\$100.00 | \$3,375.00 | N/A |
| PS-030303A-171227-2LL | Easy Access Combo 2 & Wing Kit - Large Low Platform to Passenger Side (Gap size 570W). Double Stacked Drawers (Standard Height Bottom Drawer O/A 1700L x 450W x 275H, Trade Height Top Drawer O/A 1400L x 450W x 365H). Total Combo O/A 1700L x 1020W x 640H. (Suits all RV-FS listed below except SO *Not Included). Optional 1400L Standard Height top drawer minus -\$100.00 | \$3,375.00 | N/A |
| PS-030303A-171227-2LR | Easy Access Combo 2 & Wing Kit - Large Low Platform to Driver Side (Gap size 570W). Double Stacked Drawers (Standard Height Bottom Drawer O/A 1700L x 450W x 275H, Trade Height Top Drawer O/A 1400L x 450W x 365H). Total Combo O/A 1700L x 1020W x 640H. (Suits all RV-FS listed below except SO *Not Included). Optional 1400L Standard Height top drawer minus -\$100.00 | \$3,375.00 | N/A |
| RV-EAC-IFP-1700 | Easy Access Combo INFILL PANEL - covers fridge slide cavity to create a flat solid top effect (NOTE: top drawer must be removed on EAC-2 systems) | \$272.00 | N/A |
| RV-CS-1451-00 | Cargo Shelf single - 1400L Ventilated side panel and solid top shelf to fit FS-1 (small fridge space) Suits EAC-1 1400L x 1020W | \$803.00 | N/A |
| RV-CS-1457-00 | Cargo Shelf single - 1400L Ventilated side panel and solid top shelf to fit FS-1.5 & FS-2 (large fridge space) Suits EAC-1 x 1400L x 1020W | \$803.00 | N/A |
| RV-CS-0812-00 | Cargo Shelf double - 800L Ventilated side panel and solid top shelf system. Fits EAC-2 1400L x 1020W fitted with a Trade Height top drawer | \$567.00 | N/A |
| RV-IBFS-1300-DS | Inbuilt Fridge Slide - flush fitting 1300L (Driver Side) <i>Premium drawers only</i> | \$472.00 | N/A |
| RV-IBFS-1300-PS | Inbuilt Fridge Slide - flush fitting 1300L (Passenger Side) <i>Premium drawers only</i> | \$472.00 | N/A |
| PS/PA-RV-FS-1 | Heavy Duty Fridge Slide - 750L x 455W x 80H (external incl. Travel Lock) | \$472.00 | \$522.00 |
| PS-RV-FS-1-SO | Heavy Duty Fridge Slide - 450L x 770W x 110H (external incl. Travel Lock) | \$472.00 | N/A |
| PS/PA-RV-FS-1.5 | Heavy Duty Fridge Slide - 750L x 530W x 80H (external incl. Travel Lock) | \$520.00 | \$570.00 |
| PS/PA-RV-FS-2 | Heavy Duty Fridge Slide - 850L x 560W x 80H (external incl. Travel Lock) | \$567.00 | \$617.00 |
| PS-RV-FS-2-SO | Heavy Duty Fridge Slide - 550L x 870W x 110H (external incl. Travel Lock) | \$567.00 | N/A |
| PS/PA-RV-FS-2.25 | Heavy Duty Fridge Slide - 950L x 560W x 80H (external incl. Travel Lock) | \$590.00 | \$640.00 |
| PS/PA-RV-FS-2.5 | Heavy Duty Fridge Slide - 1050L x 560W x 80H (external incl. Travel Lock) | \$685.00 | \$735.00 |
| PS/PA-RV-FS-3 | Heavy Duty Fridge Slide - 1410L x 455W x 80H (external incl. Travel Lock) | \$886.00 | \$961.00 |
| PS/PA-RV-FS-3.5 | Heavy Duty Fridge Slide - 1410L x 560W x 80H (external incl. Travel Lock) | \$886.00 | \$961.00 |

Travel Slide Drawers available on page 181

| VEHICLE MAKE MODEL | FORD RANGER PX SUPER CAB (Extra Cab) WILDTRAK (OCT 2011- MAY 2022) - 1700x1020 / 1500x1020 NO TUB LINER, WITH ROLLER SHUTTER | FORD | |
|---|--|------------|------------|
| PA: Premium Alloy PS: Premium Steel EL: EcoLite | ALLOY DRAWERS: N/A / TRADE HEIGHT DRAWERS +\$100 PER DRAWER | | |
| | PREMLK: PREMIUM BLACK RRP +180.00 (option) | | |
| | DESCRIPTION (PRICES INCLUDE WING KIT UNLESS OTHERWISE STATED) | PS RRP | PA RRP |
| PS-030303B-175127-SSL | Single Drawer & Wing Kit - Standard Height to Passenger Side 1700L x 510W x 275H | \$1,625.00 | N/A |
| PS-030303B-175127-SSR | Single Drawer & Wing Kit - Standard Height to Driver Side 1700L x 510W x 275H | \$1,625.00 | N/A |
| PS/PA-030303B-155136-SHL | Single Drawer & Wing Kit - Trade Height to Passenger Side 1500L x 510W x 365H | \$1,640.00 | \$1,790.00 |
| PS/PA-030303B-155136-SHR | Single Drawer & Wing Kit - Trade Height to Driver Side 1500L x 510W x 365H | \$1,640.00 | \$1,790.00 |
| EL-030303B-171227-TDS | EcoLite Twin Drawer & Wing Kit - Standard Height 1700L x 1020W x 275H | \$2,270.00 | N/A |
| PS-030303B-171227-TDS | Twin Drawer & Wing Kit - Standard Height 1700L x 1020W x 275H | \$3,145.00 | N/A |
| PS-030303B-151236-TDH | Twin Drawer & Wing Kit - Trade Height 1500L x 1020W x 365H | \$3,180.00 | N/A |
| PS/PA-030303B-151230-FDC-E/D | Fridge Drawer Combo with 30L Engel/Dometic Fitkit - 1500L x 1020W x 300H **Fridge not included Liftout Hatch provided to access space behind the fridge (100mm narrower if tie downs added to top) - 683L x 431W | \$2,770.00 | \$2,920.00 |
| PS/PA-030303B-151236-FDC-EK | Fridge Drawer Combo with 40L EvaKool Fitkit - 1500L x 1020W x 365H **Fridge not included Liftout Hatch provided to access space behind the fridge (100mm narrower if tie downs added to top) - 683L x 560W | \$2,880.00 | \$3,030.00 |
| PS/PA-030303B-151236-FDC-IM | Fridge Drawer Combo with 40L Ironman Fitkit - 1500L x 1020W x 365H **Fridge not included Liftout Hatch provided to access space behind the fridge (100mm narrower if tie downs added to top) - 683L x 510W | \$2,880.00 | \$3,030.00 |
| PS/PA-030303B-151236-FDC-BM | Fridge Drawer Combo with 30L Bushman Fitkit - 1500L x 1020W x 365H **Fridge not included Liftout Hatch provided to access space behind the fridge (100mm narrower if tie downs added to top) - 683L x 431W | \$2,880.00 | \$3,030.00 |
| PS-030303B-171227-1SL | Easy Access Combo 1 Standard Height & Wing Kit - Small Low Platform to Passenger Side (Gap size 510W). Single Drawer STANDARD HEIGHT O/A 1700L x 510W x 275H. Total Combo O/A 1700L x 1020W x 275H. (Suits RV-FS-1 or 3 *Not Included) | \$2,630.00 | N/A |
| PS-030303B-171227-1SR | Easy Access Combo 1 Standard Height & Wing Kit - Small Low Platform to Driver Side (Gap size 510W). Single Drawer STANDARD HEIGHT O/A 1700L x 510W x 275H. Total Combo O/A 1700L x 1020W x 275H. (Suits RV-FS-1 or 3 *Not Included) | \$2,630.00 | N/A |
| PS-030303B-171227-1LL | Easy Access Combo 1 Standard Height & Wing Kit - Large Low Platform to Passenger Side (Gap size 570W). Single Drawer STANDARD HEIGHT O/A 1700L x 450W x 275H. Total Combo O/A 1700L x 1020W x 275H. (Suits all RV-FS listed below except SO *Not Included) | \$2,630.00 | N/A |
| PS-030303B-171227-1LR | Easy Access Combo 1 Standard Height & Wing Kit - Large Low Platform to Driver Side (Gap size 570W). Single Drawer STANDARD HEIGHT O/A 1700L x 450W x 275H. Total Combo O/A 1700L x 1020W x 275H. (Suits all RV-FS listed below except SO *Not Included) | \$2,630.00 | N/A |
| PS/PA-030303B-151236-1SL | Easy Access Combo 1 Trade Height & Wing Kit - Small Low Platform to Passenger Side (Gap size 510W). Single Drawer TRADE HEIGHT O/A 1500L x 510W x 365H. Total Combo O/A 1500L x 1020W x 365H. (Suits RV-FS-1 & 3 *Not Included) | \$2,565.00 | \$2,715.00 |
| PS/PA-030303B-151236-1SR | Easy Access Combo 1 Trade Height & Wing Kit - Small Low Platform to Driver Side (Gap size 510W). Single Drawer TRADE HEIGHT O/A 1500L x 510W x 365H. Total Combo O/A 1500L x 1020W x 365H. (Suits RV-FS-1 & 3 *Not Included) | \$2,565.00 | \$2,715.00 |
| PS/PA-030303B-151236-1LL | Easy Access Combo 1 Trade Height & Wing Kit - Large Low Platform to Passenger Side (Gap size 570W). Single Drawer TRADE HEIGHT O/A 1500L x 450W x 365H. Total Combo O/A 1500L x 1020W x 365H. (Suits all RV-FS listed below except SO *Not Included) | \$2,565.00 | \$2,715.00 |
| PS/PA-030303B-151236-1LR | Easy Access Combo 1 Trade Height & Wing Kit - Large Low Platform to Driver Side (Gap size 570W). Single Drawer TRADE HEIGHT O/A 1500L x 450W x 365H. Total Combo O/A 1500L x 1020W x 365H. (Suits all RV-FS listed below except SO *Not Included) | \$2,565.00 | \$2,715.00 |
| RV-EAC-IFP-1700 | Easy Access Combo INFILL PANEL FOR STANDARD HEIGHT- covers fridge slide cavity for a flat solid top effect | \$272.00 | N/A |
| RV-EAC-IFP-1500 | Easy Access Combo INFILL PANEL FOR TRADE HEIGHT- covers fridge slide cavity for a flat solid top effect | \$224.00 | N/A |
| RV-IBFS-1300-DS | Inbuilt Fridge Slide - flush fitting 1300L (Driver Side) <i>Premium drawers only</i> | \$472.00 | N/A |
| RV-IBFS-1300-PS | Inbuilt Fridge Slide - flush fitting 1300L (Passenger Side) <i>Premium drawers only</i> | \$472.00 | N/A |
| PS/PA-RV-FS-1 | Heavy Duty Fridge Slide - 750L x 455W x 80H (external incl. Travel Lock) | \$472.00 | \$522.00 |
| PS-RV-FS-1-SO | Heavy Duty Fridge Slide - 450L x 770W x 110H (external incl. Travel Lock) | \$472.00 | N/A |
| PS/PA-RV-FS-1.5 | Heavy Duty Fridge Slide - 750L x 530W x 80H (external incl. Travel Lock) | \$520.00 | \$570.00 |
| PS/PA-RV-FS-2 | Heavy Duty Fridge Slide - 850L x 560W x 80H (external incl. Travel Lock) | \$567.00 | \$617.00 |
| PS-RV-FS-2-SO | Heavy Duty Fridge Slide - 550L x 870W x 110H (external incl. Travel Lock) | \$567.00 | N/A |
| PS/PA-RV-FS-2.25 | Heavy Duty Fridge Slide - 950L x 560W x 80H (external incl. Travel Lock) | \$590.00 | \$640.00 |
| PS/PA-RV-FS-2.5 | Heavy Duty Fridge Slide - 1050L x 560W x 80H (external incl. Travel Lock) | \$685.00 | \$735.00 |
| PS/PA-RV-FS-3 | Heavy Duty Fridge Slide - 1410L x 455W x 80H (external incl. Travel Lock) | \$886.00 | \$961.00 |
| PS/PA-RV-FS-3.5 | Heavy Duty Fridge Slide - 1410L x 560W x 80H (external incl. Travel Lock) | \$886.00 | \$961.00 |
| Travel Slide Drawers available on page 181 Inbuilt Fridge Slides N/A for alloy drawers | | | |

| VEHICLE MAKE MODEL | FORD RANGER PX SUPER CAB (Extra Cab) XL, XLT, Wildtrak (OCT 2011- 2016) - 1700x1020 WITH FORD GENUINE TUB LINER, NO ROLLER SHUTTER | FORD | |
|---|--|------------|----------|
| PA: Premium Alloy PS: Premium Steel EL: EcoLite | ALLOY DRAWERS: N/A / TRADE HEIGHT DRAWERS +\$100 PER DRAWER | | |
| | PREMLK: PREMIUM BLACK RRP +180.00 (option) | | |
| | DESCRIPTION (PRICES INCLUDE WING KIT UNLESS OTHERWISE STATED) | PS RRP | PA RRP |
| PS-030304A-175127-SSL | Single Drawer & Wing Kit - Standard Height to Passenger Side 1700L x 510W x 275H | \$1,625.00 | N/A |
| PS-030304A-175127-SSR | Single Drawer & Wing Kit - Standard Height to Driver Side 1700L x 510W x 275H | \$1,625.00 | N/A |
| PS-030304A-175136-SHL | Single Drawer & Wing Kit - Trade Height to Passenger Side 1700L x 510W x 365H | \$1,725.00 | N/A |
| PS-030304A-175136-SHR | Single Drawer & Wing Kit - Trade Height to Driver Side 1700L x 510W x 365H | \$1,725.00 | N/A |
| EL-030304A-171227-TDS | EcoLite Twin Drawer & Wing Kit - Standard Height 1700L x 1020W x 275H | \$2,270.00 | N/A |
| PS-030304A-171227-TDS | Twin Drawer & Wing Kit - Standard Height 1700L x 1020W x 275H | \$3,145.00 | N/A |
| PS-030304A-171236-TDH | Twin Drawer & Wing Kit - Trade Height 1700L x 1020W x 365H | \$3,345.00 | N/A |
| PS-030304A-171230-FDC-E/D | Fridge Drawer Combo with 30L Engel/Dometic Fitkit - 1700L x 1020W x 300H **Fridge not included Liftout Hatch provided to access space behind the fridge (100mm narrower if tie downs added to top) - 883L x 431W | \$2,855.00 | N/A |
| PS-030304A-171236-FDC-EK | Fridge Drawer Combo with 40L EvaKool Fitkit - 1700L x 1020W x 365H **Fridge not included Liftout Hatch provided to access space behind the fridge (100mm narrower if tie downs added to top) - 883L x 560W | \$2,965.00 | N/A |
| PS-030304A-171236-FDC-IM | Fridge Drawer Combo with 40L Ironman Fitkit - 1700L x 1020W x 365H **Fridge not included Liftout Hatch provided to access space behind the fridge (100mm narrower if tie downs added to top) - 883L x 510W | \$2,965.00 | N/A |
| PS-030304A-171236-FDC-BM | Fridge Drawer Combo with 30L Bushman Fitkit - 1700L x 1020W x 365H **Fridge not included Liftout Hatch provided to access space behind the fridge (100mm narrower if tie downs added to top) - 883L x 431W | \$2,965.00 | N/A |
| PS-030304A-171227-1SL | Easy Access Combo 1 & Wing Kit - Small Low Platform to Passenger Side (Gap size 510W). Single Drawer O/A 1700L x 510W x 275H. Total Combo O/A 1700L x 1020W x 275H. (Suits RV-FS-1 or 3 *Not Included) | \$2,630.00 | N/A |
| PS-030304A-171227-1SR | Easy Access Combo 1 & Wing Kit - Small Low Platform to Driver Side (Gap size 510W). Single Drawer O/A 1700L x 510W x 275H. Total Combo O/A 1700L x 1020W x 275H. (Suits RV-FS-1 or 3 *Not Included) | \$2,630.00 | N/A |
| PS-030304A-171227-1LL | Easy Access Combo 1 & Wing Kit - Large Low Platform to Passenger Side (Gap size 570W). Single Drawer O/A 1700L x 450W x 275H. Total Combo O/A 1700L x 1020W x 275H. (Suits all RV-FS listed below except SO *Not Included) | \$2,630.00 | N/A |
| PS-030304A-171227-1LR | Easy Access Combo 1 & Wing Kit - Large Low Platform to Driver Side (Gap size 570W). Single Drawer O/A 1700L x 450W x 275H. Total Combo O/A 1700L x 1020W x 275H. (Suits all RV-FS listed below except SO *Not Included) | \$2,630.00 | N/A |
| PS-030304A-171227-2SL | Easy Access Combo 2 & Wing Kit - Small Low Platform to Passenger Side (Gap size 510W). Double Stacked Drawers (Standard Height Bottom Drawer O/A 1700L x 510W x 275H, Trade Height Top Drawer O/A 1400L x 510W x 365H). Total Combo O/A 1700L x 1020W x 640H. (Suits RV-FS-1 or 3 *Not Included). Optional 1400L Standard Height top drawer minus -\$100.00 | \$3,375.00 | N/A |
| PS-030304A-171227-2SR | Easy Access Combo 2 & Wing Kit - Small Low Platform to Driver Side (Gap size 510W). Double Stacked Drawers (Standard Height Bottom Drawer O/A 1700L x 510W x 275H, Trade Height Top Drawer O/A 1400L x 510W x 365H). Total Combo O/A 1700L x 1020W x 640H. (Suits RV-FS-1 or 3 *Not Included). Optional 1400L Standard Height top drawer minus -\$100.00 | \$3,375.00 | N/A |
| PS-030304A-171227-2LL | Easy Access Combo 2 & Wing Kit - Large Low Platform to Passenger Side (Gap size 570W). Double Stacked Drawers (Standard Height Bottom Drawer O/A 1700L x 450W x 275H, Trade Height Top Drawer O/A 1400L x 450W x 365H). Total Combo O/A 1700L x 1020W x 640H. (Suits all RV-FS listed below except SO *Not Included). Optional 1400L Standard Height top drawer minus -\$100.00 | \$3,375.00 | N/A |
| PS-030304A-171227-2LR | Easy Access Combo 2 & Wing Kit - Large Low Platform to Driver Side (Gap size 570W). Double Stacked Drawers (Standard Height Bottom Drawer O/A 1700L x 450W x 275H, Trade Height Top Drawer O/A 1400L x 450W x 365H). Total Combo O/A 1700L x 1020W x 640H. (Suits all RV-FS listed below except SO *Not Included). Optional 1400L Standard Height top drawer minus -\$100.00 | \$3,375.00 | N/A |
| RV-EAC-IFP-1700 | Easy Access Combo INFILL PANEL - covers fridge slide cavity to create a flat solid top effect (NOTE: top drawer must be removed on EAC-2 systems) | \$272.00 | N/A |
| RV-CS-1451-00 | Cargo Shelf single - 1400L Ventilated side panel and solid top shelf to fit FS-1 (small fridge space) Suits EAC-1 1400L x 1020W | \$803.00 | N/A |
| RV-CS-1457-00 | Cargo Shelf single - 1400L Ventilated side panel and solid top shelf to fit FS-1.5 & FS-2 (large fridge space) Suits EAC-1 x 1400L x 1020W | \$803.00 | N/A |
| RV-CS-0812-00 | Cargo Shelf double - 800L Ventilated side panel and solid top shelf system. Fits EAC-2 1400L x 1020W fitted with a Trade Height top drawer | \$567.00 | N/A |
| RV-IBFS-1300-DS | Inbuilt Fridge Slide - flush fitting 1300L (Driver Side) <i>Premium drawers only</i> | \$472.00 | N/A |
| RV-IBFS-1300-PS | Inbuilt Fridge Slide - flush fitting 1300L (Passenger Side) <i>Premium drawers only</i> | \$472.00 | N/A |
| PS/PA-RV-FS-1 | Heavy Duty Fridge Slide - 750L x 455W x 80H (external incl. Travel Lock) | \$472.00 | \$522.00 |
| PS-RV-FS-1-SO | Heavy Duty Fridge Slide - 450L x 770W x 110H (external incl. Travel Lock) | \$472.00 | N/A |
| PS/PA-RV-FS-1.5 | Heavy Duty Fridge Slide - 750L x 530W x 80H (external incl. Travel Lock) | \$520.00 | \$570.00 |
| PS/PA-RV-FS-2 | Heavy Duty Fridge Slide - 850L x 560W x 80H (external incl. Travel Lock) | \$567.00 | \$617.00 |
| PS-RV-FS-2-SO | Heavy Duty Fridge Slide - 550L x 870W x 110H (external incl. Travel Lock) | \$567.00 | N/A |
| PS/PA-RV-FS-2.25 | Heavy Duty Fridge Slide - 950L x 560W x 80H (external incl. Travel Lock) | \$590.00 | \$640.00 |
| PS/PA-RV-FS-2.5 | Heavy Duty Fridge Slide - 1050L x 560W x 80H (external incl. Travel Lock) | \$685.00 | \$735.00 |
| PS/PA-RV-FS-3 | Heavy Duty Fridge Slide - 1410L x 455W x 80H (external incl. Travel Lock) | \$886.00 | \$961.00 |
| PS/PA-RV-FS-3.5 | Heavy Duty Fridge Slide - 1410L x 560W x 80H (external incl. Travel Lock) | \$886.00 | \$961.00 |
| Travel Slide Drawers available on page 181 | | | |

| VEHICLE MAKE MODEL | FORD RANGER PX SUPER CAB (Extra Cab) Wildtrak (OCT 2011- 2016) - 1700x1020 / 1500x1020 WITH FORD GENUINE TUB LINER, WITH ROLLER SHUTTER | FORD | |
|---|--|------------|------------|
| PA: Premium Alloy PS: Premium Steel EL: EcoLite | ALLOY DRAWERS: N/A / TRADE HEIGHT DRAWERS +\$100 PER DRAWER | | |
| | PREMLK: PREMIUM BLACK RRP +180.00 (option) | | |
| | DESCRIPTION (PRICES INCLUDE WING KIT UNLESS OTHERWISE STATED) | PS RRP | PA RRP |
| PS-030304B-175127-SSL | Single Drawer & Wing Kit - Standard Height to Passenger Side 1700L x 510W x 275H | \$1,625.00 | N/A |
| PS-030304B-175127-SSR | Single Drawer & Wing Kit - Standard Height to Driver Side 1700L x 510W x 275H | \$1,625.00 | N/A |
| PS/PA-030304B-155136-SHL | Single Drawer & Wing Kit - Trade Height to Passenger Side 1500L x 510W x 365H | \$1,640.00 | \$1,790.00 |
| PS/PA-030304B-155136-SHR | Single Drawer & Wing Kit - Trade Height to Driver Side 1500L x 510W x 365H | \$1,640.00 | \$1,790.00 |
| EL-030304B-171227-TDS | EcoLite Twin Drawer & Wing Kit - Standard Height 1700L x 1020W x 275H | \$2,270.00 | N/A |
| PS-030304B-171227-TDS | Twin Drawer & Wing Kit - Standard Height 1700L x 1020W x 275H | \$3,145.00 | N/A |
| PS-030304B-151236-TDH | Twin Drawer & Wing Kit - Trade Height 1500L x 1020W x 365H | \$3,180.00 | N/A |
| PS/PA-030304B-151230-FDC-E/D | Fridge Drawer Combo with 30L Engel/Dometic Fitkit - 1500L x 1020W x 300H **Fridge not included Liftout Hatch provided to access space behind the fridge (100mm narrower if tie downs added to top) - 683L x 431W | \$2,770.00 | \$2,920.00 |
| PS/PA-030304B-151236-FDC-EK | Fridge Drawer Combo with 40L EvaKool Fitkit - 1500L x 1020W x 365H **Fridge not included Liftout Hatch provided to access space behind the fridge (100mm narrower if tie downs added to top) - 683L x 560W | \$2,880.00 | \$3,030.00 |
| PS/PA-030304B-151236-FDC-IM | Fridge Drawer Combo with 40L Ironman Fitkit - 1500L x 1020W x 365H **Fridge not included Liftout Hatch provided to access space behind the fridge (100mm narrower if tie downs added to top) - 683L x 510W | \$2,880.00 | \$3,030.00 |
| PS/PA-030304B-151236-FDC-BM | Fridge Drawer Combo with 30L Bushman Fitkit - 1500L x 1020W x 365H **Fridge not included Liftout Hatch provided to access space behind the fridge (100mm narrower if tie downs added to top) - 683L x 431W | \$2,880.00 | \$3,030.00 |
| PS-030304B-171227-1SL | Easy Access Combo 1 Standard Height & Wing Kit - Small Low Platform to Passenger Side (Gap size 510W). Single Drawer STANDARD HEIGHT O/A 1700L x 510W x 275H. Total Combo O/A 1700L x 1020W x 275H. (Suits RV-FS-1 or 3 *Not Included) | \$2,630.00 | N/A |
| PS-030304B-171227-1SR | Easy Access Combo 1 Standard Height & Wing Kit - Small Low Platform to Driver Side (Gap size 510W). Single Drawer STANDARD HEIGHT O/A 1700L x 510W x 275H. Total Combo O/A 1700L x 1020W x 275H. (Suits RV-FS-1 or 3 *Not Included) | \$2,630.00 | N/A |
| PS-030304B-171227-1LL | Easy Access Combo 1 Standard Height & Wing Kit - Large Low Platform to Passenger Side (Gap size 570W). Single Drawer STANDARD HEIGHT O/A 1700L x 450W x 275H. Total Combo O/A 1700L x 1020W x 275H. (Suits all RV-FS listed below except SO *Not Included) | \$2,630.00 | N/A |
| PS-030304B-171227-1LR | Easy Access Combo 1 Standard Height & Wing Kit - Large Low Platform to Driver Side (Gap size 570W). Single Drawer STANDARD HEIGHT O/A 1700L x 450W x 275H. Total Combo O/A 1700L x 1020W x 275H. (Suits all RV-FS listed below except SO *Not Included) | \$2,630.00 | N/A |
| PS/PA-030304B-151236-1SL | Easy Access Combo 1 Trade Height & Wing Kit - Small Low Platform to Passenger Side (Gap size 510W). Single Drawer TRADE HEIGHT O/A 1500L x 510W x 365H. Total Combo O/A 1500L x 1020W x 365H. (Suits RV-FS-1 & 3 *Not Included) | \$2,565.00 | \$2,715.00 |
| PS/PA-030304B-151236-1SR | Easy Access Combo 1 Trade Height & Wing Kit - Small Low Platform to Driver Side (Gap size 510W). Single Drawer TRADE HEIGHT O/A 1500L x 510W x 365H. Total Combo O/A 1500L x 1020W x 365H. (Suits RV-FS-1 & 3 *Not Included) | \$2,565.00 | \$2,715.00 |
| PS/PA-030304B-151236-1LL | Easy Access Combo 1 Trade Height & Wing Kit - Large Low Platform to Passenger Side (Gap size 570W). Single Drawer TRADE HEIGHT O/A 1500L x 450W x 365H. Total Combo O/A 1500L x 1020W x 365H. (Suits all RV-FS listed below except SO *Not Included) | \$2,565.00 | \$2,715.00 |
| PS/PA-030304B-151236-1LR | Easy Access Combo 1 Trade Height & Wing Kit - Large Low Platform to Driver Side (Gap size 570W). Single Drawer TRADE HEIGHT O/A 1500L x 450W x 365H. Total Combo O/A 1500L x 1020W x 365H. (Suits all RV-FS listed below except SO *Not Included) | \$2,565.00 | \$2,715.00 |
| RV-EAC-IFP-1700 | Easy Access Combo INFILL PANEL FOR STANDARD HEIGHT- covers fridge slide cavity for a flat solid top effect | \$272.00 | N/A |
| RV-EAC-IFP-1500 | Easy Access Combo INFILL PANEL FOR TRADE HEIGHT- covers fridge slide cavity for a flat solid top effect | \$224.00 | N/A |
| RV-IBFS-1300-DS | Inbuilt Fridge Slide - flush fitting 1300L (Driver Side) <i>Premium drawers only</i> | \$472.00 | N/A |
| RV-IBFS-1300-PS | Inbuilt Fridge Slide - flush fitting 1300L (Passenger Side) <i>Premium drawers only</i> | \$472.00 | N/A |
| PS/PA-RV-FS-1 | Heavy Duty Fridge Slide - 750L x 455W x 80H (external incl. Travel Lock) | \$472.00 | \$522.00 |
| PS-RV-FS-1-SO | Heavy Duty Fridge Slide - 450L x 770W x 110H (external incl. Travel Lock) | \$472.00 | N/A |
| PS/PA-RV-FS-1.5 | Heavy Duty Fridge Slide - 750L x 530W x 80H (external incl. Travel Lock) | \$520.00 | \$570.00 |
| PS/PA-RV-FS-2 | Heavy Duty Fridge Slide - 850L x 560W x 80H (external incl. Travel Lock) | \$567.00 | \$617.00 |
| PS-RV-FS-2-SO | Heavy Duty Fridge Slide - 550L x 870W x 110H (external incl. Travel Lock) | \$567.00 | N/A |
| PS/PA-RV-FS-2.25 | Heavy Duty Fridge Slide - 950L x 560W x 80H (external incl. Travel Lock) | \$590.00 | \$640.00 |
| PS/PA-RV-FS-2.5 | Heavy Duty Fridge Slide - 1050L x 560W x 80H (external incl. Travel Lock) | \$685.00 | \$735.00 |
| PS/PA-RV-FS-3 | Heavy Duty Fridge Slide - 1410L x 455W x 80H (external incl. Travel Lock) | \$886.00 | \$961.00 |
| PS/PA-RV-FS-3.5 | Heavy Duty Fridge Slide - 1410L x 560W x 80H (external incl. Travel Lock) | \$886.00 | \$961.00 |

Travel Slide Drawers available on page 181
Inbuilt Fridge Slides N/A for alloy drawers

| VEHICLE MAKE MODEL | FORD RANGER PX DUAL CAB (Crew Cab) XLT, RAPTOR, FX4 (OCT 2017 - MAY 2022) - 1400x1020 WITH FORD GENUINE TUB LINER, NO ROLLER SHUTTER | | | FORD |
|---|--|------------|------------|------|
| PA: Premium Alloy PS: Premium Steel EL: EcoLite | TRADE HEIGHT DRAWERS +\$100 PER DRAWER | | | |
| | PREMLK: PREMIUM BLACK RRP +180.00 (option) | | | |
| | DESCRIPTION (PRICES INCLUDE WING KIT UNLESS OTHERWISE STATED) | PS RRP | PA RRP | |
| PS/PA-030305-145127-SSL | Single Drawer & Wing Kit - Standard Height to Passenger Side 1400L x 510W x 275H | \$1,485.00 | \$1,635.00 | |
| PS/PA-030305-145127-SSR | Single Drawer & Wing Kit - Standard Height to Driver Side 1400L x 510W x 275H | \$1,485.00 | \$1,635.00 | |
| PS/PA-030305-145136-SHL | Single Drawer & Wing Kit - Trade Height to Passenger Side 1400L x 510W x 365H | \$1,585.00 | \$1,735.00 | |
| PS/PA-030305-145136-SHR | Single Drawer & Wing Kit - Trade Height to Driver Side 1400L x 510W x 365H | \$1,585.00 | \$1,735.00 | |
| EL-030305-141227-TDS | EcoLite Twin Drawer & Wing Kit - Standard Height 1400L x 1020W x 275H | \$2,080.00 | N/A | |
| PS/PA-030305-141227-TDS | Twin Drawer & Wing Kit - Standard Height 1400L x 1020W x 275H | \$2,870.00 | \$3,170.00 | |
| PS/PA-030305-141236-TDH | Twin Drawer & Wing Kit - Trade Height 1400L x 1020W x 365H | \$3,070.00 | \$3,370.00 | |
| PS/PA-030305-141230-FDC-E/D | Fridge Drawer Combo with 30L Engel/Dometic Fitkit - 1400L x 1020W x 300H **Fridge not included Liftout Hatch provided to access space behind the fridge (100mm narrower if tie downs added to top) - 583L x 431W | \$2,690.00 | \$2,840.00 | |
| PS/PA-030305-141236-FDC-EK | Fridge Drawer Combo with 40L EvaKool Fitkit - 1400L x 1020W x 365H **Fridge not included Liftout Hatch provided to access space behind the fridge (100mm narrower if tie downs added to top) - 583L x 560W | \$2,800.00 | \$2,950.00 | |
| PS/PA-030305-141236-FDC-IM | Fridge Drawer Combo with 40L Ironman Fitkit - 1400L x 1020W x 365H **Fridge not included Liftout Hatch provided to access space behind the fridge (100mm narrower if tie downs added to top) - 583L x 510W | \$2,800.00 | \$2,950.00 | |
| PS/PA-030305-141236-FDC-BM | Fridge Drawer Combo with 30L Bushman Fitkit - 1400L x 1020W x 365H **Fridge not included Liftout Hatch provided to access space behind the fridge (100mm narrower if tie downs added to top) - 583L x 431W | \$2,800.00 | \$2,950.00 | |
| PS/PA-030305-141227-1SL | Easy Access Combo 1 & Wing Kit - Small Low Platform to Passenger Side (Gap size 510W). Single Drawer O/A 1400L x 510W x 275H. Total Combo O/A 1400L x 1020W x 275H. (Suits RV-FS-1 or 3 *Not Included) | \$2,410.00 | \$2,560.00 | |
| PS/PA-030305-141227-1SR | Easy Access Combo 1 & Wing Kit - Small Low Platform to Driver Side (Gap size 510W). Single Drawer O/A 1400L x 510W x 275H. Total Combo O/A 1400L x 1020W x 275H. (Suits RV-FS-1 or 3 *Not Included) | \$2,410.00 | \$2,560.00 | |
| PS/PA-030305-141227-1LL | Easy Access Combo 1 & Wing Kit - Large Low Platform to Passenger Side (Gap size 570W). Single Drawer O/A 1400L x 450W x 275H. Total Combo O/A 1400L x 1020W x 275H. (Suits all RV-FS listed below except SO *Not Included) | \$2,410.00 | \$2,560.00 | |
| PS/PA-030305-141227-1LR | Easy Access Combo 1 & Wing Kit - Large Low Platform to Driver Side (Gap size 570W). Single Drawer O/A 1400L x 450W x 275H. Total Combo O/A 1400L x 1020W x 275H. (Suits all RV-FS listed below except SO *Not Included) | \$2,410.00 | \$2,560.00 | |
| PS/PA-030305-141227-2SL | Easy Access Combo 2 & Wing Kit - Small Low Platform to Passenger Side (Gap size 510W). Double Stacked Drawers (Standard Height Bottom Drawer O/A 1400L x 510W x 275H, Trade Height Top Drawer O/A 1100L x 510W x 365H). Total Combo O/A 1400L x 1020W x 640H. (Suits RV-FS-1 or 3 *Not Included). Optional 1100L Standard Height top drawer minus -\$100.00 | \$3,100.00 | \$3,400.00 | |
| PS/PA-030305-141227-2SR | Easy Access Combo 2 & Wing Kit - Small Low Platform to Driver Side (Gap size 510W). Double Stacked Drawers (Standard Height Bottom Drawer O/A 1400L x 510W x 275H, Trade Height Top Drawer O/A 1100L x 510W x 365H). Total Combo O/A 1400L x 1020W x 640H. (Suits RV-FS-1 or 3 *Not Included). Optional 1100L Standard Height top drawer minus -\$100.00 | \$3,100.00 | \$3,400.00 | |
| PS/PA-030305-141227-2LL | Easy Access Combo 2 & Wing Kit - Large Low Platform to Passenger Side (Gap size 570W). Double Stacked Drawers (Standard Height Bottom Drawer O/A 1400L x 450W x 275H, Trade Height Top Drawer O/A 1100L x 450W x 365H). Total Combo O/A 1400L x 1020W x 640H. (Suits all RV-FS listed below except SO *Not Included). Optional 1100L Standard Height top drawer minus -\$100.00 | \$3,100.00 | \$3,400.00 | |
| PS/PA-030305-141227-2LR | Easy Access Combo 2 & Wing Kit - Large Low Platform to Driver Side (Gap size 570W). Double Stacked Drawers (Standard Height Bottom Drawer O/A 1400L x 450W x 275H, Trade Height Top Drawer O/A 1100L x 450W x 365H). Total Combo O/A 1400L x 1020W x 640H. (Suits all RV-FS listed below except SO *Not Included). Optional 1100L Standard Height top drawer minus -\$100.00 | \$3,100.00 | \$3,400.00 | |
| RV-EAC-IFP-1400 | Easy Access Combo INFILL PANEL - covers fridge slide cavity to create a flat solid top effect (NOTE: top drawer must be removed on EAC-2 systems) | \$224.00 | N/A | |
| RV-CS-1451-00 | Cargo Shelf single - 1400L Ventilated side panel and solid top shelf to fit FS-1 (small fridge space) Suits EAC-1 1000L x 1020W | \$803.00 | N/A | |
| RV-CS-1457-00 | Cargo Shelf single - 1400L Ventilated side panel and solid top shelf to fit FS-1.5 & FS-2 (large fridge space) Suits EAC-1 x 1400L x 1020W | \$803.00 | N/A | |
| RV-CS-0812-00 | Cargo Shelf double - 800L Ventilated side panel and solid top shelf system. Fits EAC-2 1400L x 1020W fitted with a Trade Height top drawer | \$567.00 | N/A | |
| RV-IBFS-1300-DS | Inbuilt Fridge Slide - flush fitting 1300L (Driver Side) <i>Premium drawers only</i> | \$472.00 | N/A | |
| RV-IBFS-1300-PS | Inbuilt Fridge Slide - flush fitting 1300L (Passenger Side) <i>Premium drawers only</i> | \$472.00 | N/A | |
| PS/PA-RV-FS-1 | Heavy Duty Fridge Slide - 750L x 455W x 80H (external incl. Travel Lock) | \$472.00 | \$522.00 | |
| PS-RV-FS-1-SO | Heavy Duty Fridge Slide - 450L x 770W x 110H (external incl. Travel Lock) | \$472.00 | N/A | |
| PS/PA-RV-FS-1.5 | Heavy Duty Fridge Slide - 750L x 530W x 80H (external incl. Travel Lock) | \$520.00 | \$570.00 | |
| PS/PA-RV-FS-2 | Heavy Duty Fridge Slide - 850L x 560W x 80H (external incl. Travel Lock) | \$567.00 | \$617.00 | |
| PS-RV-FS-2-SO | Heavy Duty Fridge Slide - 550L x 870W x 110H (external incl. Travel Lock) | \$567.00 | N/A | |
| PS/PA-RV-FS-2.25 | Heavy Duty Fridge Slide - 950L x 560W x 80H (external incl. Travel Lock) | \$590.00 | \$640.00 | |
| PS/PA-RV-FS-2.5 | Heavy Duty Fridge Slide - 1050L x 560W x 80H (external incl. Travel Lock) | \$685.00 | \$735.00 | |
| PS/PA-RV-FS-3 | Heavy Duty Fridge Slide - 1410L x 455W x 80H (external incl. Travel Lock) | \$886.00 | \$961.00 | |
| PS/PA-RV-FS-3.5 | Heavy Duty Fridge Slide - 1410L x 560W x 80H (external incl. Travel Lock) | \$886.00 | \$961.00 | |
| <p>No Liner/Raptor spray on liner - Ref to 030301A With No Roller Shutter Travel Slide Drawers available on page 181 Inbuilt Fridge Slides N/A for alloy drawers</p> | | | | |

| VEHICLE MAKE MODEL | FORD RANGER PX SUPER CAB (Extra Cab) XLT (OCT 2017 - MAY 2022) - 1700x1020 WITH FORD GENUINE TUB LINER, NO ROLLER SHUTTER | FORD | |
|---|--|------------|----------|
| PA: Premium Alloy PS: Premium Steel EL: EcoLite | ALLOY DRAWERS: N/A / TRADE HEIGHT DRAWERS +\$100 PER DRAWER | | |
| | PREMLK: PREMIUM BLACK RRP +180.00 (option) | | |
| | DESCRIPTION (PRICES INCLUDE WING KIT UNLESS OTHERWISE STATED) | PS RRP | PA RRP |
| PS-030306A-175127-SSL | Single Drawer & Wing Kit - Standard Height to Passenger Side 1700L x 510W x 275H | \$1,625.00 | N/A |
| PS-030306A-175127-SSR | Single Drawer & Wing Kit - Standard Height to Driver Side 1700L x 510W x 275H | \$1,625.00 | N/A |
| PS-030306A-175136-SHL | Single Drawer & Wing Kit - Trade Height to Passenger Side 1700L x 510W x 365H | \$1,725.00 | N/A |
| PS-030306A-175136-SHR | Single Drawer & Wing Kit - Trade Height to Driver Side 1700L x 510W x 365H | \$1,725.00 | N/A |
| EL-030306A-171227-TDS | EcoLite Twin Drawer & Wing Kit - Standard Height 1700L x 1020W x 275H | \$2,270.00 | N/A |
| PS-030306A-171227-TDS | Twin Drawer & Wing Kit - Standard Height 1700L x 1020W x 275H | \$3,145.00 | N/A |
| PS-030306A-171236-TDH | Twin Drawer & Wing Kit - Trade Height 1700L x 1020W x 365H | \$3,345.00 | N/A |
| PS-030306A-171230-FDC-E/D | Fridge Drawer Combo with 30L Engel/Dometic Fitkit - 1700L x 1020W x 300H **Fridge not included Liftout Hatch provided to access space behind the fridge (100mm narrower if tie downs added to top) - 883L x 431W | \$2,855.00 | N/A |
| PS-030306A-171236-FDC-EK | Fridge Drawer Combo with 40L EvaKool Fitkit - 1700L x 1020W x 365H **Fridge not included Liftout Hatch provided to access space behind the fridge (100mm narrower if tie downs added to top) - 883L x 560W | \$2,965.00 | N/A |
| PS-030306A-171236-FDC-IM | Fridge Drawer Combo with 40L Ironman Fitkit - 1700L x 1020W x 365H **Fridge not included Liftout Hatch provided to access space behind the fridge (100mm narrower if tie downs added to top) - 883L x 510W | \$2,965.00 | N/A |
| PS-030306A-171236-FDC-BM | Fridge Drawer Combo with 30L Bushman Fitkit - 1700L x 1020W x 365H **Fridge not included Liftout Hatch provided to access space behind the fridge (100mm narrower if tie downs added to top) - 883L x 431W | \$2,965.00 | N/A |
| PS-030306A-171227-1SL | Easy Access Combo 1 & Wing Kit - Small Low Platform to Passenger Side (Gap size 510W). Single Drawer O/A 1700L x 510W x 275H. Total Combo O/A 1700L x 1020W x 275H. (Suits RV-FS-1 or 3 *Not Included) | \$2,630.00 | N/A |
| PS-030306A-171227-1SR | Easy Access Combo 1 & Wing Kit - Small Low Platform to Driver Side (Gap size 510W). Single Drawer O/A 1700L x 510W x 275H. Total Combo O/A 1700L x 1020W x 275H. (Suits RV-FS-1 or 3 *Not Included) | \$2,630.00 | N/A |
| PS-030306A-171227-1LL | Easy Access Combo 1 & Wing Kit - Large Low Platform to Passenger Side (Gap size 570W). Single Drawer O/A 1700L x 450W x 275H. Total Combo O/A 1700L x 1020W x 275H. (Suits all RV-FS listed below except SO *Not Included) | \$2,630.00 | N/A |
| PS-030306A-171227-1LR | Easy Access Combo 1 & Wing Kit - Large Low Platform to Driver Side (Gap size 570W). Single Drawer O/A 1700L x 450W x 275H. Total Combo O/A 1700L x 1020W x 275H. (Suits all RV-FS listed below except SO *Not Included) | \$2,630.00 | N/A |
| PS-030306A-171227-2SL | Easy Access Combo 2 & Wing Kit - Small Low Platform to Passenger Side (Gap size 510W). Double Stacked Drawers (Standard Height Bottom Drawer O/A 1700L x 510W x 275H, Trade Height Top Drawer O/A 1400L x 510W x 365H). Total Combo O/A 1700L x 1020W x 640H. (Suits RV-FS-1 or 3 *Not Included). Optional 1400L Standard Height top drawer minus -\$100.00 | \$3,375.00 | N/A |
| PS-030306A-171227-2SR | Easy Access Combo 2 & Wing Kit - Small Low Platform to Driver Side (Gap size 510W). Double Stacked Drawers (Standard Height Bottom Drawer O/A 1700L x 510W x 275H, Trade Height Top Drawer O/A 1400L x 510W x 365H). Total Combo O/A 1700L x 1020W x 640H. (Suits RV-FS-1 or 3 *Not Included). Optional 1400L Standard Height top drawer minus -\$100.00 | \$3,375.00 | N/A |
| PS-030306A-171227-2LL | Easy Access Combo 2 & Wing Kit - Large Low Platform to Passenger Side (Gap size 570W). Double Stacked Drawers (Standard Height Bottom Drawer O/A 1700L x 450W x 275H, Trade Height Top Drawer O/A 1400L x 450W x 365H). Total Combo O/A 1700L x 1020W x 640H. (Suits all RV-FS listed below except SO *Not Included). Optional 1400L Standard Height top drawer minus -\$100.00 | \$3,375.00 | N/A |
| PS-030306A-171227-2LR | Easy Access Combo 2 & Wing Kit - Large Low Platform to Driver Side (Gap size 570W). Double Stacked Drawers (Standard Height Bottom Drawer O/A 1700L x 450W x 275H, Trade Height Top Drawer O/A 1400L x 450W x 365H). Total Combo O/A 1700L x 1020W x 640H. (Suits all RV-FS listed below except SO *Not Included). Optional 1400L Standard Height top drawer minus -\$100.00 | \$3,375.00 | N/A |
| RV-EAC-IFP-1700 | Easy Access Combo INFILL PANEL - covers fridge slide cavity to create a flat solid top effect (NOTE: top drawer must be removed on EAC-2 systems) | \$272.00 | N/A |
| RV-CS-1451-00 | Cargo Shelf single - 1400L Ventilated side panel and solid top shelf to fit FS-1 (small fridge space) Suits EAC-1 1000L x 1020W | \$803.00 | N/A |
| RV-CS-1457-00 | Cargo Shelf single - 1400L Ventilated side panel and solid top shelf to fit FS-1.5 & FS-2 (large fridge space) Suits EAC-1 1400L x 1020W | \$803.00 | N/A |
| RV-CS-0812-00 | Cargo Shelf double - 800L Ventilated side panel and solid top shelf system. Fits EAC-2 1400L x 1020W fitted with a Trade Height top drawer | \$567.00 | N/A |
| RV-IBFS-1300-DS | Inbuilt Fridge Slide - flush fitting 1300L (Driver Side) <i>Premium drawers only</i> | \$472.00 | N/A |
| RV-IBFS-1300-PS | Inbuilt Fridge Slide - flush fitting 1300L (Passenger Side) <i>Premium drawers only</i> | \$472.00 | N/A |
| PS/PA-RV-FS-1 | Heavy Duty Fridge Slide - 750L x 455W x 80H (external incl. Travel Lock) | \$472.00 | \$522.00 |
| PS-RV-FS-1-SO | Heavy Duty Fridge Slide - 450L x 770W x 110H (external incl. Travel Lock) | \$472.00 | N/A |
| PS/PA-RV-FS-1.5 | Heavy Duty Fridge Slide - 750L x 530W x 80H (external incl. Travel Lock) | \$520.00 | \$570.00 |
| PS/PA-RV-FS-2 | Heavy Duty Fridge Slide - 850L x 560W x 80H (external incl. Travel Lock) | \$567.00 | \$617.00 |
| PS-RV-FS-2-SO | Heavy Duty Fridge Slide - 550L x 870W x 110H (external incl. Travel Lock) | \$567.00 | N/A |
| PS/PA-RV-FS-2.25 | Heavy Duty Fridge Slide - 950L x 560W x 80H (external incl. Travel Lock) | \$590.00 | \$640.00 |
| PS/PA-RV-FS-2.5 | Heavy Duty Fridge Slide - 1050L x 560W x 80H (external incl. Travel Lock) | \$685.00 | \$735.00 |
| PS/PA-RV-FS-3 | Heavy Duty Fridge Slide - 1410L x 455W x 80H (external incl. Travel Lock) | \$886.00 | \$961.00 |
| PS/PA-RV-FS-3.5 | Heavy Duty Fridge Slide - 1410L x 560W x 80H (external incl. Travel Lock) | \$886.00 | \$961.00 |

No Liner/Raptor spray on liner - Ref to 030303A With No Roller Shutter
Travel Slide Drawers available on page 181

| VEHICLE MAKE MODEL | FORD RANGER PX SUPER CAB (Extra Cab) XLT (OCT 2017- MAY 2022) - 1700x1020 / 1500x1020 WITH FORD GENUINE TUB LINER, WITH ROLLER SHUTTER | FORD | |
|--|--|------------|------------|
| PA: Premium Alloy PS: Premium Steel EL: EcoLite | ALLOY DRAWERS: N/A / TRADE HEIGHT DRAWERS +\$100 PER DRAWER | | |
| | PREMLK: PREMIUM BLACK RRP +180.00 (option) | | |
| | DESCRIPTION (PRICES INCLUDE WING KIT UNLESS OTHERWISE STATED) | PS RRP | PA RRP |
| PS-030306B-175127-SSL | Single Drawer & Wing Kit - Standard Height to Passenger Side 1700L x 510W x 275H | \$1,625.00 | N/A |
| PS-030306B-175127-SSR | Single Drawer & Wing Kit - Standard Height to Driver Side 1700L x 510W x 275H | \$1,625.00 | N/A |
| PS/PA-030306B-155136-SHL | Single Drawer & Wing Kit - Trade Height to Passenger Side 1500L x 510W x 365H | \$1,640.00 | \$1,790.00 |
| PS/PA-030306B-155136-SHR | Single Drawer & Wing Kit - Trade Height to Driver Side 1500L x 510W x 365H | \$1,640.00 | \$1,790.00 |
| EL-030306B-171227-TDS | EcoLite Twin Drawer & Wing Kit - Standard Height 1700L x 1020W x 275H | \$2,270.00 | N/A |
| PS-030306B-171227-TDS | Twin Drawer & Wing Kit - Standard Height 1700L x 1020W x 275H | \$3,145.00 | N/A |
| PS-030306B-151236-TDH | Twin Drawer & Wing Kit - Trade Height 1500L x 1020W x 365H | \$3,180.00 | N/A |
| PS/PA-030306B-151230-FDC-E/D | Fridge Drawer Combo with 30L Engel/Dometic Fitkit - 1500L x 1020W x 300H **Fridge not included Liftout Hatch provided to access space behind the fridge (100mm narrower if tie downs added to top) - 683L x 431W | \$2,770.00 | \$2,920.00 |
| PS/PA-030306B-151236-FDC-EK | Fridge Drawer Combo with 40L EvaKool Fitkit - 1500L x 1020W x 365H **Fridge not included Liftout Hatch provided to access space behind the fridge (100mm narrower if tie downs added to top) - 683L x 560W | \$2,880.00 | \$3,030.00 |
| PS/PA-030306B-151236-FDC-IM | Fridge Drawer Combo with 40L Ironman Fitkit - 1500L x 1020W x 365H **Fridge not included Liftout Hatch provided to access space behind the fridge (100mm narrower if tie downs added to top) - 683L x 510W | \$2,880.00 | \$3,030.00 |
| PS/PA-030306B-151236-FDC-BM | Fridge Drawer Combo with 30L Bushman Fitkit - 1500L x 1020W x 365H **Fridge not included Liftout Hatch provided to access space behind the fridge (100mm narrower if tie downs added to top) - 683L x 431W | \$2,880.00 | \$3,030.00 |
| PS-030306B-171227-1SL | Easy Access Combo 1 Standard Height & Wing Kit - Small Low Platform to Passenger Side (Gap size 510W). Single Drawer STANDARD HEIGHT O/A 1700L x 510W x 275H. Total Combo O/A 1700L x 1020W x 275H. (Suits RV-FS-1 or 3 *Not Included) | \$2,630.00 | N/A |
| PS-030306B-171227-1SR | Easy Access Combo 1 Standard Height & Wing Kit - Small Low Platform to Driver Side (Gap size 510W). Single Drawer STANDARD HEIGHT O/A 1700L x 510W x 275H. Total Combo O/A 1700L x 1020W x 275H. (Suits RV-FS-1 or 3 *Not Included) | \$2,630.00 | N/A |
| PS-030306B-171227-1LL | Easy Access Combo 1 Standard Height & Wing Kit - Large Low Platform to Passenger Side (Gap size 570W). Single Drawer STANDARD HEIGHT O/A 1700L x 450W x 275H. Total Combo O/A 1700L x 1020W x 275H. (Suits all RV-FS listed below except SO *Not Included) | \$2,630.00 | N/A |
| PS-030306B-171227-1LR | Easy Access Combo 1 Standard Height & Wing Kit - Large Low Platform to Driver Side (Gap size 570W). Single Drawer STANDARD HEIGHT O/A 1700L x 450W x 275H. Total Combo O/A 1700L x 1020W x 275H. (Suits all RV-FS listed below except SO *Not Included) | \$2,630.00 | N/A |
| PS/PA-030306B-151236-1SL | Easy Access Combo 1 Trade Height & Wing Kit - Small Low Platform to Passenger Side (Gap size 510W). Single Drawer TRADE HEIGHT O/A 1500L x 510W x 365H. Total Combo O/A 1500L x 1020W x 365H. (Suits RV-FS-1 & 3 *Not Included) | \$2,565.00 | \$2,715.00 |
| PS/PA-030306B-151236-1SR | Easy Access Combo 1 Trade Height & Wing Kit - Small Low Platform to Driver Side (Gap size 510W). Single Drawer TRADE HEIGHT O/A 1500L x 510W x 365H. Total Combo O/A 1500L x 1020W x 365H. (Suits RV-FS-1 & 3 *Not Included) | \$2,565.00 | \$2,715.00 |
| PS/PA-030306B-151236-1LL | Easy Access Combo 1 Trade Height & Wing Kit - Large Low Platform to Passenger Side (Gap size 570W). Single Drawer TRADE HEIGHT O/A 1500L x 450W x 365H. Total Combo O/A 1500L x 1020W x 365H. (Suits all RV-FS listed below except SO *Not Included) | \$2,565.00 | \$2,715.00 |
| PS/PA-030306B-151236-1LR | Easy Access Combo 1 Trade Height & Wing Kit - Large Low Platform to Driver Side (Gap size 570W). Single Drawer TRADE HEIGHT O/A 1500L x 450W x 365H. Total Combo O/A 1500L x 1020W x 365H. (Suits all RV-FS listed below except SO *Not Included) | \$2,565.00 | \$2,715.00 |
| RV-EAC-IFP-1700 | Easy Access Combo INFILL PANEL FOR STANDARD HEIGHT- covers fridge slide cavity for a flat solid top effect | \$272.00 | N/A |
| RV-EAC-IFP-1500 | Easy Access Combo INFILL PANEL FOR TRADE HEIGHT- covers fridge slide cavity for a flat solid top effect | \$224.00 | N/A |
| RV-IBFS-1300-DS | Inbuilt Fridge Slide - flush fitting 1300L (Driver Side) <i>Premium drawers only</i> | \$472.00 | N/A |
| RV-IBFS-1300-PS | Inbuilt Fridge Slide - flush fitting 1300L (Passenger Side) <i>Premium drawers only</i> | \$472.00 | N/A |
| PS/PA-RV-FS-1 | Heavy Duty Fridge Slide - 750L x 455W x 80H (external incl. Travel Lock) | \$472.00 | \$522.00 |
| PS-RV-FS-1-SO | Heavy Duty Fridge Slide - 450L x 770W x 110H (external incl. Travel Lock) | \$472.00 | N/A |
| PS/PA-RV-FS-1.5 | Heavy Duty Fridge Slide - 750L x 530W x 80H (external incl. Travel Lock) | \$520.00 | \$570.00 |
| PS/PA-RV-FS-2 | Heavy Duty Fridge Slide - 850L x 560W x 80H (external incl. Travel Lock) | \$567.00 | \$617.00 |
| PS-RV-FS-2-SO | Heavy Duty Fridge Slide - 550L x 870W x 110H (external incl. Travel Lock) | \$567.00 | N/A |
| PS/PA-RV-FS-2.25 | Heavy Duty Fridge Slide - 950L x 560W x 80H (external incl. Travel Lock) | \$590.00 | \$640.00 |
| PS/PA-RV-FS-2.5 | Heavy Duty Fridge Slide - 1050L x 560W x 80H (external incl. Travel Lock) | \$685.00 | \$735.00 |
| PS/PA-RV-FS-3 | Heavy Duty Fridge Slide - 1410L x 455W x 80H (external incl. Travel Lock) | \$886.00 | \$961.00 |
| PS/PA-RV-FS-3.5 | Heavy Duty Fridge Slide - 1410L x 560W x 80H (external incl. Travel Lock) | \$886.00 | \$961.00 |
| No Liner/Raptor spray on liner - Ref to 030303B With Roller Shutter Travel Slide Drawers available on page 181 Inbuilt Fridge Slides N/A for alloy drawers | | | |

| VEHICLE MAKE MODEL | FORD RANGER PX DUAL CAB (Crew Cab) WILDTRAK (JULY 2016 - MAY 2022) - 1400x1020 WITH FORD GENUINE TUB LINER, NO ROLLER SHUTTER | FORD | |
|---|---|------------|------------|
| PA: Premium Alloy PS: Premium Steel EL: EcoLite | TRADE HEIGHT DRAWERS +\$100 PER DRAWER | | |
| | PREMLBK: PREMIUM BLACK RRP +180.00 (option) | | |
| | DESCRIPTION (PRICES INCLUDE WING KIT UNLESS OTHERWISE STATED) | PS RRP | PA RRP |
| PS/PA-030307A-145127-SSL | Single Drawer & Wing Kit - Standard Height to Passenger Side 1400L x 510W x 275H | \$1,485.00 | \$1,635.00 |
| PS/PA-030307A-145127-SSR | Single Drawer & Wing Kit - Standard Height to Driver Side 1400L x 510W x 275H | \$1,485.00 | \$1,635.00 |
| PS/PA-030307A-145136-SHL | Single Drawer & Wing Kit - Trade Height to Passenger Side 1400L x 510W x 365H | \$1,585.00 | \$1,735.00 |
| PS/PA-030307A-145136-SHR | Single Drawer & Wing Kit - Trade Height to Driver Side 1400L x 510W x 365H | \$1,585.00 | \$1,735.00 |
| EL-030307A-141227-TDS | EcoLite Twin Drawer & Wing Kit - Standard Height 1400L x 1020W x 275H | \$2,080.00 | N/A |
| PS/PA-030307A-141227-TDS | Twin Drawer & Wing Kit - Standard Height 1400L x 1020W x 275H | \$2,870.00 | \$3,170.00 |
| PS/PA-030307A-141236-TDH | Twin Drawer & Wing Kit - Trade Height 1400L x 1020W x 365H | \$3,070.00 | \$3,370.00 |
| PS/PA-030307A-141230-FDC-E/D | Fridge Drawer Combo with 30L Engel/Dometic Fitkit - 1400L x 1020W x 300H **Fridge not included Liftout Hatch provided to access space behind the fridge (100mm narrower if tie downs added to top) - 583L x 431W | \$2,690.00 | \$2,840.00 |
| PS/PA-030307A-141236-FDC-EK | Fridge Drawer Combo with 40L EvaKool Fitkit - 1400L x 1020W x 365H **Fridge not included Liftout Hatch provided to access space behind the fridge (100mm narrower if tie downs added to top) - 583L x 560W | \$2,800.00 | \$2,950.00 |
| PS/PA-030307A-141236-FDC-IM | Fridge Drawer Combo with 40L Ironman Fitkit - 1400L x 1020W x 365H **Fridge not included Liftout Hatch provided to access space behind the fridge (100mm narrower if tie downs added to top) - 583L x 510W | \$2,800.00 | \$2,950.00 |
| PS/PA-030307A-141236-FDC-BM | Fridge Drawer Combo with 30L Bushman Fitkit - 1400L x 1020W x 365H **Fridge not included Liftout Hatch provided to access space behind the fridge (100mm narrower if tie downs added to top) - 583L x 431W | \$2,800.00 | \$2,950.00 |
| PS/PA-030307A-141227-1SL | Easy Access Combo 1 Standard Height & Wing Kit - Small Low Platform to Passenger Side (Gap size 510W). Single Drawer STANDARD HEIGHT O/A 1400L x 510W x 275H. Total Combo O/A 1400L x 1020W x 275H. (Suits RV-FS-1 or 3 *Not Included) | \$2,410.00 | \$2,560.00 |
| PS/PA-030307A-141227-1SR | Easy Access Combo 1 Standard Height & Wing Kit - Small Low Platform to Driver Side (Gap size 510W). Single Drawer STANDARD HEIGHT O/A 1400L x 510W x 275H. Total Combo O/A 1400L x 1020W x 275H. (Suits RV-FS-1 or 3 *Not Included) | \$2,410.00 | \$2,560.00 |
| PS/PA-030307A-141227-1LL | Easy Access Combo 1 Standard Height & Wing Kit - Large Low Platform to Passenger Side (Gap size 570W). Single Drawer STANDARD HEIGHT O/A 1400L x 450W x 275H. Total Combo O/A 1400L x 1020W x 275H. (Suits all RV-FS listed below except SO *Not Included) | \$2,410.00 | \$2,560.00 |
| PS/PA-030307A-141227-1LR | Easy Access Combo 1 Standard Height & Wing Kit - Large Low Platform to Driver Side (Gap size 570W). Single Drawer STANDARD HEIGHT O/A 1400L x 450W x 275H. Total Combo O/A 1400L x 1020W x 275H. (Suits all RV-FS listed below except SO *Not Included) | \$2,410.00 | \$2,560.00 |
| PS/PA-030307A-141227-2SL | Easy Access Combo 2 & Wing Kit - Small Low Platform to Passenger Side (Gap size 510W). Double Stacked Drawers (Standard Height Bottom Drawer O/A 1400L x 510W x 275H, Trade Height Top Drawer O/A 1100L x 510W x 365H). Total Combo O/A 1400L x 1020W x 640H. (Suits RV-FS-1 or 3 *Not Included). Optional 1100L Standard Height top drawer minus -\$100.00 | \$3,100.00 | \$3,400.00 |
| PS/PA-030307A-141227-2SR | Easy Access Combo 2 & Wing Kit - Small Low Platform to Driver Side (Gap size 510W). Double Stacked Drawers (Standard Height Bottom Drawer O/A 1400L x 510W x 275H, Trade Height Top Drawer O/A 1100L x 510W x 365H). Total Combo O/A 1400L x 1020W x 640H. (Suits RV-FS-1 or 3 *Not Included). Optional 1100L Standard Height top drawer minus -\$100.00 | \$3,100.00 | \$3,400.00 |
| PS/PA-030307A-141227-2LL | Easy Access Combo 2 & Wing Kit - Large Low Platform to Passenger Side (Gap size 570W). Double Stacked Drawers (Standard Height Bottom Drawer O/A 1400L x 450W x 275H, Trade Height Top Drawer O/A 1100L x 450W x 365H). Total Combo O/A 1400L x 1020W x 640H. (Suits all RV-FS listed below except SO *Not Included). Optional 1100L Standard Height top drawer minus -\$100.00 | \$3,100.00 | \$3,400.00 |
| PS/PA-030307A-141227-2LR | Easy Access Combo 2 & Wing Kit - Large Low Platform to Driver Side (Gap size 570W). Double Stacked Drawers (Standard Height Bottom Drawer O/A 1400L x 450W x 275H, Trade Height Top Drawer O/A 1100L x 450W x 365H). Total Combo O/A 1400L x 1020W x 640H. (Suits all RV-FS listed below except SO *Not Included). Optional 1100L Standard Height top drawer minus -\$100.00 | \$3,100.00 | \$3,400.00 |
| RV-EAC-IFP-1400 | Easy Access Combo INFILL PANEL FOR STANDARD OR TRADE HEIGHT- covers fridge slide cavity for a flat solid top effect | \$224.00 | N/A |
| RV-CS-1451-00 | Cargo Shelf single - 1400L Ventilated side panel and solid top shelf to fit FS-1 (small fridge space) Suits EAC-1 1000L x 1020W | \$803.00 | N/A |
| RV-CS-1457-00 | Cargo Shelf single - 1400L Ventilated side panel and solid top shelf to fit FS-1.5 & FS-2 (large fridge space) Suits EAC-1 x 1400L x 1020W | \$803.00 | N/A |
| RV-CS-0812-00 | Cargo Shelf double - 800L Ventilated side panel and solid top shelf system. Fits EAC-2 1400L x 1020W fitted with a Trade Height top drawer | \$567.00 | N/A |
| RV-IBFS-1300-DS | Inbuilt Fridge Slide - flush fitting 1300L (Driver Side) <i>Premium drawers only</i> | \$472.00 | N/A |
| RV-IBFS-1300-PS | Inbuilt Fridge Slide - flush fitting 1300L (Passenger Side) <i>Premium drawers only</i> | \$472.00 | N/A |
| PS/PA-RV-FS-1 | Heavy Duty Fridge Slide - 750L x 455W x 80H (external incl. Travel Lock) | \$472.00 | \$522.00 |
| PS-RV-FS-1-SO | Heavy Duty Fridge Slide - 450L x 770W x 110H (external incl. Travel Lock) | \$472.00 | N/A |
| PS/PA-RV-FS-1.5 | Heavy Duty Fridge Slide - 750L x 530W x 80H (external incl. Travel Lock) | \$520.00 | \$570.00 |
| PS/PA-RV-FS-2 | Heavy Duty Fridge Slide - 850L x 560W x 80H (external incl. Travel Lock) | \$567.00 | \$617.00 |
| PS-RV-FS-2-SO | Heavy Duty Fridge Slide - 550L x 870W x 110H (external incl. Travel Lock) | \$567.00 | N/A |
| PS/PA-RV-FS-2.25 | Heavy Duty Fridge Slide - 950L x 560W x 80H (external incl. Travel Lock) | \$590.00 | \$640.00 |
| PS/PA-RV-FS-2.5 | Heavy Duty Fridge Slide - 1050L x 560W x 80H (external incl. Travel Lock) | \$685.00 | \$735.00 |
| PS/PA-RV-FS-3 | Heavy Duty Fridge Slide - 1410L x 455W x 80H (external incl. Travel Lock) | \$886.00 | \$961.00 |
| PS/PA-RV-FS-3.5 | Heavy Duty Fridge Slide - 1410L x 560W x 80H (external incl. Travel Lock) | \$886.00 | \$961.00 |
| No Liner, No Roller Shutter - Refer to 030301A No Roller Shutter Page Travel Slide Drawers available on page 181 Inbuilt Fridge Slides N/A for alloy drawers | | | |

| VEHICLE MAKE MODEL | FORD RANGER PX DUAL CAB (Crew Cab) WILDTRAK (JULY 2016 - MAY 2022) - 1400x1020 / 1200x1020 WITH FORD GENUINE TUB LINER, WITH ROLLER SHUTTER FORD | | |
|---|---|------------|------------|
| PA: Premium Alloy PS: Premium Steel EL: EcoLite | TRADE HEIGHT DRAWERS +\$100 PER DRAWER PREMLBK: PREMIUM BLACK RRP +180.00 (option) | | |
| | DESCRIPTION (PRICES INCLUDE WING KIT UNLESS OTHERWISE STATED) | PS RRP | PA RRP |
| PS/PA-030307B-145127-SSL | Single Drawer & Wing Kit - Standard Height to Passenger Side 1400L x 510W x 275H | \$1,485.00 | \$1,635.00 |
| PS/PA-030307B-145127-SSR | Single Drawer & Wing Kit - Standard Height to Driver Side 1400L x 510W x 275H | \$1,485.00 | \$1,635.00 |
| PS/PA-030307B-125136-SHL | Single Drawer & Wing Kit - Trade Height to Passenger Side 1200L x 510W x 365H | \$1,540.00 | \$1,690.00 |
| PS/PA-030307B-125136-SHR | Single Drawer & Wing Kit - Trade Height to Driver Side 1200L x 510W x 365H | \$1,540.00 | \$1,690.00 |
| EL-030307B-141227-TDS | EcoLite Twin Drawer & Wing Kit - Standard Height 1400L x 1020W x 275H | \$2,080.00 | N/A |
| PS/PA-030307B-141227-TDS | Twin Drawer & Wing Kit - Standard Height 1400L x 1020W x 275H | \$2,870.00 | \$3,170.00 |
| PS/PA-030307B-121236-TDH | Twin Drawer & Wing Kit - Trade Height 1200L x 1020W x 365H | \$2,970.00 | \$3,270.00 |
| PS/PA-030307B-121230-FDC-E/D | Fridge Drawer Combo with 30L Engel/Dometic Fitkit - 1200L x 1020W x 300H **Fridge not included Liftout Hatch provided to access space behind the fridge (100mm narrower if tie downs added to top) - 383L x 431W | \$2,635.00 | \$2,785.00 |
| PS/PA-030307B-121236-FDC-EK | Fridge Drawer Combo with 40L EvaKool Fitkit - 1200L x 1020W x 365H **Fridge not included Liftout Hatch provided to access space behind the fridge (100mm narrower if tie downs added to top) - 383L x 560W | \$2,745.00 | \$2,895.00 |
| PS/PA-030307B-121236-FDC-IM | Fridge Drawer Combo with 40L Ironman Fitkit - 1200L x 1020W x 365H **Fridge not included Liftout Hatch provided to access space behind the fridge (100mm narrower if tie downs added to top) - 383L x 510W | \$2,745.00 | \$2,895.00 |
| PS/PA-030307B-121236-FDC-BM | Fridge Drawer Combo with 30L Bushman Fitkit - 1200L x 1020W x 365H **Fridge not included Liftout Hatch provided to access space behind the fridge (100mm narrower if tie downs added to top) - 383L x 431W | \$2,745.00 | \$2,895.00 |
| PS/PA-030307B-141227-1SL | Easy Access Combo 1 Standard Height & Wing Kit - Small Low Platform to Passenger Side (Gap size 510W). Single Drawer STANDARD HEIGHT O/A 1400L x 510W x 275H. Total Combo O/A 1400L x 1020W x 275H. (Suits RV-FS-1 or 3 *Not Included) | \$2,410.00 | \$2,560.00 |
| PS/PA-030307B-141227-1SR | Easy Access Combo 1 Standard Height & Wing Kit - Small Low Platform to Driver Side (Gap size 510W). Single Drawer STANDARD HEIGHT O/A 1400L x 510W x 275H. Total Combo O/A 1400L x 1020W x 275H. (Suits RV-FS-1 or 3 *Not Included) | \$2,410.00 | \$2,560.00 |
| PS/PA-030307B-141227-1LL | Easy Access Combo 1 Standard Height & Wing Kit - Large Low Platform to Passenger Side (Gap size 570W). Single Drawer STANDARD HEIGHT O/A 1400L x 450W x 275H. Total Combo O/A 1400L x 1020W x 275H. (Suits all RV-FS listed below except SO *Not Included) | \$2,410.00 | \$2,560.00 |
| PS/PA-030307B-141227-1LR | Easy Access Combo 1 Standard Height & Wing Kit - Large Low Platform to Driver Side (Gap size 570W). Single Drawer STANDARD HEIGHT O/A 1400L x 450W x 275H. Total Combo O/A 1400L x 1020W x 275H. (Suits all RV-FS listed below except SO *Not Included) | \$2,410.00 | \$2,560.00 |
| PS/PA-030307B-121236-1SL | Easy Access Combo 1 Trade Height & Wing Kit - Small Low Platform to Passenger Side (Gap size 510W). Single Drawer TRADE HEIGHT O/A 1200L x 510W x 365H. Total Combo O/A 1200L x 1020W x 365H. (Suits RV-FS-1 *Not Included) | \$2,455.00 | \$2,605.00 |
| PS/PA-030307B-121236-1SR | Easy Access Combo 1 Trade Height & Wing Kit - Small Low Platform to Driver Side (Gap size 510W). Single Drawer TRADE HEIGHT O/A 1200L x 510W x 365H. Total Combo O/A 1200L x 1020W x 365H. (Suits RV-FS-1 *Not Included) | \$2,455.00 | \$2,605.00 |
| PS/PA-030307B-121236-1LL | Easy Access Combo 1 Trade Height & Wing Kit - Large Low Platform to Passenger Side (Gap size 570W). Single Drawer TRADE HEIGHT O/A 1200L x 450W x 365H. Total Combo O/A 1200L x 1020W x 365H. (Suits all RV-FS listed below except FS3, 3.5 & SO *Not Included) | \$2,455.00 | \$2,605.00 |
| PS/PA-030307B-121236-1LR | Easy Access Combo 1 Trade Height & Wing Kit - Large Low Platform to Driver Side (Gap size 570W). Single Drawer TRADE HEIGHT O/A 1200L x 450W x 365H. Total Combo O/A 1200L x 1020W x 365H. (Suits all RV-FS listed below except FS3, 3.5 & SO *Not Included) | \$2,455.00 | \$2,605.00 |
| RV-EAC-IFP-1400 | Easy Access Combo INFILL PANEL FOR STANDARD HEIGHT- covers fridge slide cavity for a flat solid top effect | \$224.00 | N/A |
| RV-EAC-IFP-1200 | Easy Access Combo INFILL PANEL FOR TRADE HEIGHT- covers fridge slide cavity for a flat solid top effect | \$224.00 | N/A |
| RV-IBFS-1300-DS | Inbuilt Fridge Slide - flush fitting 1300L (Driver Side) <i>Premium drawers only</i> | \$472.00 | N/A |
| RV-IBFS-1300-PS | Inbuilt Fridge Slide - flush fitting 1300L (Passenger Side) <i>Premium drawers only</i> | \$472.00 | N/A |
| PS/PA-RV-FS-1 | Heavy Duty Fridge Slide - 750L x 455W x 80H (external incl. Travel Lock) | \$472.00 | \$522.00 |
| PS-RV-FS-1-SO | Heavy Duty Fridge Slide - 450L x 770W x 110H (external incl. Travel Lock) | \$472.00 | N/A |
| PS/PA-RV-FS-1.5 | Heavy Duty Fridge Slide - 750L x 530W x 80H (external incl. Travel Lock) | \$520.00 | \$570.00 |
| PS/PA-RV-FS-2 | Heavy Duty Fridge Slide - 850L x 560W x 80H (external incl. Travel Lock) | \$567.00 | \$617.00 |
| PS-RV-FS-2-SO | Heavy Duty Fridge Slide - 550L x 870W x 110H (external incl. Travel Lock) | \$567.00 | N/A |
| PS/PA-RV-FS-2.25 | Heavy Duty Fridge Slide - 950L x 560W x 80H (external incl. Travel Lock) | \$590.00 | \$640.00 |
| PS/PA-RV-FS-2.5 | Heavy Duty Fridge Slide - 1050L x 560W x 80H (external incl. Travel Lock) | \$685.00 | \$735.00 |
| PS/PA-RV-FS-3 | Heavy Duty Fridge Slide - 1410L x 455W x 80H (external incl. Travel Lock) **Not Available For Trade Height | \$886.00 | \$961.00 |
| PS/PA-RV-FS-3.5 | Heavy Duty Fridge Slide - 1410L x 560W x 80H (external incl. Travel Lock) **Not Available For Trade Height | \$886.00 | \$961.00 |
| No Liner, with Roller Shutter - Refer to 030301B With Roller Shutter Page Travel Slide Drawers available on page 181 Inbuilt Fridge Slides N/A for alloy drawers | | | |

| VEHICLE MAKE MODEL | FORD NEXT-GEN RANGER (PY/P703) DUAL CAB (Crew Cab) XL, XLS, XLT, RAPTOR (JULY 2022+) - 1450x1140 SPRAY ON LINER/NO TUB LINER, NO ROLLER SHUTTER | FORD | |
|---|--|---------------|---------------|
| PA: Premium Alloy PS: Premium Steel EL: EcoLite | TRADE HEIGHT DRAWERS +\$100 PER DRAWER | | |
| | PREMLBK: PREMIUM BLACK RRP +180.00 (option) | | |
| | DESCRIPTION (PRICES INCLUDE WING KIT UNLESS OTHERWISE STATED) | PS RRP | PA RRP |
| PS/PA-030401A-455727-SSL | Single Drawer & Wing Kit - Standard Height to Passenger Side 1450L x 570W x 275H | \$1,535.00 | \$1,685.00 |
| PS/PA-030401A-455727-SSR | Single Drawer & Wing Kit - Standard Height to Driver Side 1450L x 570W x 275H | \$1,535.00 | \$1,685.00 |
| PS-030401A-455736-SHL | Single Drawer & Wing Kit - Trade Height to Passenger Side 1450L x 570W x 365H | \$1,635.00 | N/A |
| PS-030401A-455736-SHR | Single Drawer & Wing Kit - Trade Height to Driver Side 1450L x 570W x 365H | \$1,635.00 | N/A |
| EL-030401A-451227-TDS | EcoLite Twin Drawer & Wing Kit - Standard Height 1450L x 1020W x 275H | \$2,110.00 | N/A |
| PS/PA-030401A-451427-TDS | Twin Drawer & Wing Kit - Standard Height 1450L x 1140W x 275H | \$2,970.00 | \$3,270.00 |
| PS-030401A-451436-TDH | Twin Drawer & Wing Kit - Trade Height 1450L x 1140W x 365H | \$3,170.00 | N/A |
| PS/PA-030401A-451430-FDC-E/D | Fridge Drawer Combo with 30L Engel/Dometic Fitkit - 1450L x 1140W x 300H **Fridge not included Liftout Hatch provided to access space behind the fridge (100mm narrower if tie downs added to top) - 633L x 431W | \$2,690.00 | \$2,840.00 |
| PS-030401A-451436-FDC-EK | Fridge Drawer Combo with 40L EvaKool Fitkit - 1450L x 1140W x 365H **Fridge not included Liftout Hatch provided to access space behind the fridge (100mm narrower if tie downs added to top) - 633L x 560W | \$2,800.00 | N/A |
| PS-030401A-451436-FDC-IM | Fridge Drawer Combo with 40L Ironman Fitkit - 1450L x 1140W x 365H **Fridge not included Liftout Hatch provided to access space behind the fridge (100mm narrower if tie downs added to top) - 633L x 510W | \$2,800.00 | N/A |
| PS-030401A-451436-FDC-BM | Fridge Drawer Combo with 30L Bushman Fitkit - 1450L x 1140W x 365H **Fridge not included Liftout Hatch provided to access space behind the fridge (100mm narrower if tie downs added to top) - 633L x 431W | \$2,800.00 | N/A |
| PS/PA-030401A-451427-1LL | Easy Access Combo 1 & Wing Kit - Large Low Platform to Passenger Side (Gap size 570W). Single Drawer O/A 1450L x 570W x 275H. Total Combo O/A 1450L x 1140W x 275H. (Suits all RV-FS listed below except SO *Not Included) | \$2,465.00 | \$2,615.00 |
| PS/PA-030401A-451427-1LR | Easy Access Combo 1 & Wing Kit - Large Low Platform to Driver Side (Gap size 570W). Single Drawer O/A 1450L x 570W x 275H. Total Combo O/A 1450L x 1140W x 275H. (Suits all RV-FS listed below except SO *Not Included) | \$2,465.00 | \$2,615.00 |
| PS/PA-030401A-451427-2LL | Easy Access Combo 2 & Wing Kit - Large Low Platform to Passenger Side (Gap size 570W). Double Stacked Drawers (Standard Height Bottom Drawer O/A 1450L x 570W x 275H, Trade Height Top Drawer O/A 1100L x 570W x 365H). Total Combo O/A 1450L x 1140W x 640H. (Suits all RV-FS listed below except SO *Not Included). Optional 1100L Standard Height top drawer minus -\$100.00 | \$3,185.00 | \$3,485.00 |
| PS/PA-030401A-451427-2LR | Easy Access Combo 2 & Wing Kit - Large Low Platform to Driver Side (Gap size 570W). Double Stacked Drawers (Standard Height Bottom Drawer O/A 1450L x 570W x 275H, Trade Height Top Drawer O/A 1100L x 570W x 365H). Total Combo O/A 1450L x 1140W x 640H. (Suits all RV-FS listed below except SO *Not Included). Optional 1100L Standard Height top drawer minus -\$100.00 | \$3,185.00 | \$3,485.00 |
| RV-EAC-IFP-1450 | Easy Access Combo INFILL PANEL - covers fridge slide cavity to create a flat solid top effect (NOTE: top drawer must be removed on EAC-2 systems) | \$224.00 | N/A |
| RV-CS-1457-00 | Cargo Shelf single - 1400L Ventilated side panel and solid top shelf to fit all RV-Fridge Slides except SO. Suits EAC-1 1450L x 1140W. Cargo Shelf O/A L1293 x W566 x H685 | \$803.00 | N/A |
| RV-CS-0814-00 | Cargo Shelf double - 800L Ventilated side panel and solid top shelf system. Fits EAC-2 1450L x 1140W fitted with a Trade Height top drawer | \$567.00 | N/A |
| RV-IBFS-1300-DS | Inbuilt Fridge Slide - flush fitting 1300L (Driver Side) <i>Premium drawers only</i> | \$472.00 | N/A |
| RV-IBFS-1300-PS | Inbuilt Fridge Slide - flush fitting 1300L (Passenger Side) <i>Premium drawers only</i> | \$472.00 | N/A |
| PS/PA-RV-FS-1 | Heavy Duty Fridge Slide - 750L x 455W x 80H (external incl. Travel Lock) | \$472.00 | \$522.00 |
| PS-RV-FS-1-SO | Heavy Duty Fridge Slide - 450L x 770W x 110H (external incl. Travel Lock) (Twin drawer setups only) | \$472.00 | N/A |
| PS/PA-RV-FS-1.5 | Heavy Duty Fridge Slide - 750L x 530W x 80H (external incl. Travel Lock) | \$520.00 | \$570.00 |
| PS/PA-RV-FS-2 | Heavy Duty Fridge Slide - 850L x 560W x 80H (external incl. Travel Lock) | \$567.00 | \$617.00 |
| PS-RV-FS-2-SO | Heavy Duty Fridge Slide - 550L x 870W x 110H (external incl. Travel Lock) (Twin drawer setups only) | \$567.00 | N/A |
| PS/PA-RV-FS-2.25 | Heavy Duty Fridge Slide - 950L x 560W x 80H (external incl. Travel Lock) | \$590.00 | \$640.00 |
| PS/PA-RV-FS-2.5 | Heavy Duty Fridge Slide - 1050L x 560W x 80H (external incl. Travel Lock) | \$685.00 | \$735.00 |
| PS/PA-RV-FS-3 | Heavy Duty Fridge Slide - 1410L x 455W x 80H (external incl. Travel Lock) | \$886.00 | \$961.00 |
| PS/PA-RV-FS-3.5 | Heavy Duty Fridge Slide - 1410L x 560W x 80H (external incl. Travel Lock) | \$886.00 | \$961.00 |

Need to check whether there is a double or single power outlet in tub
Trade Height systems only available in steel
Travel Slide Drawers available on page 181
Inbuilt Fridge Slides N/A for alloy drawers

| VEHICLE MAKE MODEL | FORD NEXT-GEN RANGER (PY/P703) DUAL CAB (Crew Cab) XL, XLS, XLT, RAPTOR (JULY 2022+) - 1450x1140 / 1200x1140 SPRAY ON LINER/NO TUB LINER, WITH ROLLER SHUTTER | FORD | |
|---|---|---------------|---------------|
| PA: Premium Alloy PS: Premium Steel EL: EcoLite | TRADE HEIGHT DRAWERS +\$100 PER DRAWER | | |
| | PREMLBK: PREMIUM BLACK RRP +180.00 (option) | | |
| | DESCRIPTION (PRICES INCLUDE WING KIT UNLESS OTHERWISE STATED) | PS RRP | PA RRP |
| PS/PA-030401B-455727-SSL | Single Drawer & Wing Kit - Standard Height to Passenger Side 1450L x 570W x 275H | \$1,535.00 | \$1,685.00 |
| PS/PA-030401B-455727-SSR | Single Drawer & Wing Kit - Standard Height to Driver Side 1450L x 570W x 275H | \$1,535.00 | \$1,685.00 |
| PS/PA-030401B-125736-SHL | Single Drawer & Wing Kit - Trade Height to Passenger Side 1200L x 570W x 365H | \$1,635.00 | \$1,785.00 |
| PS/PA-030401B-125736-SHR | Single Drawer & Wing Kit - Trade Height to Driver Side 1200L x 570W x 365H | \$1,635.00 | \$1,785.00 |
| EL-030401B-451227-TDS | EcoLite Twin Drawer & Wing Kit - Standard Height 1450L x 1020W x 275H | \$2,110.00 | N/A |
| PS/PA-030401B-451427-TDS | Twin Drawer & Wing Kit - Standard Height 1450L x 1140W x 275H | \$2,970.00 | \$3,270.00 |
| PS/PA-030401B-121436-TDH | Twin Drawer & Wing Kit - Trade Height 1200L x 1140W x 365H | \$3,170.00 | \$3,470.00 |
| PS/PA-030401B-121430-FDC-E/D | Fridge Drawer Combo with 30L Engel/Dometic Fitkit - 1200L x 1140W x 300H **Fridge not included Liftout Hatch provided to access space behind the fridge (100mm narrower if tie downs added to top) - 383L x 431W | \$2,690.00 | \$2,840.00 |
| PS/PA-030401B-121436-FDC-EK | Fridge Drawer Combo with 40L EvaKool Fitkit - 1200L x 1140W x 365H **Fridge not included Liftout Hatch provided to access space behind the fridge (100mm narrower if tie downs added to top) - 383L x 560W | \$2,800.00 | \$2,950.00 |
| PS/PA-030401B-121436-FDC-IM | Fridge Drawer Combo with 40L Ironman Fitkit - 1200L x 1140W x 365H **Fridge not included Liftout Hatch provided to access space behind the fridge (100mm narrower if tie downs added to top) - 383L x 510W | \$2,800.00 | \$2,950.00 |
| PS/PA-030401B-121436-FDC-BM | Fridge Drawer Combo with 30L Bushman Fitkit - 1200L x 1140W x 365H **Fridge not included Liftout Hatch provided to access space behind the fridge (100mm narrower if tie downs added to top) - 383L x 431W | \$2,800.00 | \$2,950.00 |
| PS/PA-030401B-451427-1LL | Easy Access Combo 1 Standard Height & Wing Kit - Large Low Platform to Passenger Side (Gap size 570W). Single Drawer STANDARD HEIGHT O/A 1450L x 570W x 275H. Total Combo O/A 1450L x 1140W x 275H. (Suits all RV-FS listed below except SO *Not Included) | \$2,435.00 | \$2,585.00 |
| PS/PA-030401B-451427-1LR | Easy Access Combo 1 Standard Height & Wing Kit - Large Low Platform to Driver Side (Gap size 570W). Single Drawer STANDARD HEIGHT O/A 1450L x 570W x 275H. Total Combo O/A 1450L x 1140W x 275H. (Suits all RV-FS listed below except SO *Not Included) | \$2,435.00 | \$2,585.00 |
| PS/PA-030401B-121436-1LL | Easy Access Combo 1 Trade Height & Wing Kit - Large Low Platform to Passenger Side (Gap size 570W). Single Drawer TRADE HEIGHT O/A 1100L x 570W x 365H. Total Combo O/A 1200L x 1140W x 365H. (Suits all RV-FS listed below except FS3, 3.5 & SO *Not Included) | \$2,455.00 | \$2,605.00 |
| PS/PA-030401B-121436-1LR | Easy Access Combo 1 Trade Height & Wing Kit - Large Low Platform to Driver Side (Gap size 570W). Single Drawer TRADE HEIGHT O/A 1100L x 570W x 365H. Total Combo O/A 1200L x 1140W x 365H. (Suits all RV-FS listed below except FS3, 3.5 & SO *Not Included) | \$2,455.00 | \$2,605.00 |
| RV-EAC-IFP-1450 | Easy Access Combo INFILL PANEL FOR STANDARD HEIGHT- covers fridge slide cavity for a flat solid top effect | \$224.00 | N/A |
| RV-EAC-IFP-1200 | Easy Access Combo INFILL PANEL FOR TRADE HEIGHT- covers fridge slide cavity for a flat solid top effect | \$224.00 | N/A |
| RV-IBFS-1300-DS | Inbuilt Fridge Slide - flush fitting 1300L (Driver Side) <i>Premium drawers only</i> | \$472.00 | N/A |
| RV-IBFS-1300-PS | Inbuilt Fridge Slide - flush fitting 1300L (Passenger Side) <i>Premium drawers only</i> | \$472.00 | N/A |
| PS/PA-RV-FS-1 | Heavy Duty Fridge Slide - 750L x 455W x 80H (external incl. Travel Lock) | \$472.00 | \$522.00 |
| PS-RV-FS-1-SO | Heavy Duty Fridge Slide - 450L x 770W x 110H (external incl. Travel Lock) (Twin drawer setups only) | \$472.00 | N/A |
| PS/PA-RV-FS-1.5 | Heavy Duty Fridge Slide - 750L x 530W x 80H (external incl. Travel Lock) | \$520.00 | \$570.00 |
| PS/PA-RV-FS-2 | Heavy Duty Fridge Slide - 850L x 560W x 80H (external incl. Travel Lock) | \$567.00 | \$617.00 |
| PS-RV-FS-2-SO | Heavy Duty Fridge Slide - 550L x 870W x 110H (external incl. Travel Lock) (Twin drawer setups only) | \$567.00 | N/A |
| PS/PA-RV-FS-2.25 | Heavy Duty Fridge Slide - 950L x 560W x 80H (external incl. Travel Lock) | \$590.00 | \$640.00 |
| PS/PA-RV-FS-2.5 | Heavy Duty Fridge Slide - 1050L x 560W x 80H (external incl. Travel Lock) | \$685.00 | \$735.00 |
| PS/PA-RV-FS-3 | Heavy Duty Fridge Slide - 1410L x 455W x 80H (external incl. Travel Lock) **Not Available For Trade Height | \$886.00 | \$961.00 |
| PS/PA-RV-FS-3.5 | Heavy Duty Fridge Slide - 1410L x 560W x 80H (external incl. Travel Lock) **Not Available For Trade Height | \$886.00 | \$961.00 |
| Need to check whether there is a double or single power outlet in tub Travel Slide Drawers available on page 181 Inbuilt Fridge Slides N/A for alloy drawers | | | |

| VEHICLE MAKE MODEL | FORD NEXT-GEN RANGER (PY/P703) DUAL CAB (Crew Cab) XLT, SPORT (JULY 2022+) - 1400x1020 WITH FORD GENUINE TUB LINER, NO ROLLER SHUTTER | FORD | |
|--|---|------------|------------|
| TRADE HEIGHT DRAWERS +\$100 PER DRAWER | | | |
| PREMLBK: PREMIUM BLACK RRP +180.00 (option) | | | |
| | DESCRIPTION (PRICES INCLUDE WING KIT UNLESS OTHERWISE STATED) | PS RRP | PA RRP |
| PS/PA-030402-145127-SSL | Single Drawer & Wing Kit - Standard Height to Passenger Side 1400L x 510W x 275H | \$1,485.00 | \$1,635.00 |
| PS/PA-030402-145127-SSR | Single Drawer & Wing Kit - Standard Height to Driver Side 1400L x 510W x 275H | \$1,485.00 | \$1,635.00 |
| PS/PA-030402-145136-SHL | Single Drawer & Wing Kit - Trade Height to Passenger Side 1400L x 510W x 365H | \$1,585.00 | \$1,735.00 |
| PS/PA-030402-145136-SHR | Single Drawer & Wing Kit - Trade Height to Driver Side 1400L x 510W x 365H | \$1,585.00 | \$1,735.00 |
| EL-030402-141227-TDS | EcoLite Twin Drawer & Wing Kit - Standard Height 1400L x 1020W x 275H | \$2,080.00 | N/A |
| PS/PA-030402-141227-TDS | Twin Drawer & Wing Kit - Standard Height 1400L x 1020W x 275H | \$2,870.00 | \$3,170.00 |
| PS/PA-030402-141236-TDH | Twin Drawer & Wing Kit - Trade Height 1400L x 1020W x 365H | \$3,070.00 | \$3,370.00 |
| PS/PA-030402-141230-FDC-E/D | Fridge Drawer Combo with 30L Engel/Dometic Fitkit - 1400L x 1020W x 300H **Fridge not included Liftout Hatch provided to access space behind the fridge (100mm narrower if tie downs added to top) - 583L x 431W | \$2,690.00 | \$2,840.00 |
| PS/PA-030402-141236-FDC-EK | Fridge Drawer Combo with 40L EvaKool Fitkit - 1400L x 1020W x 365H **Fridge not included Liftout Hatch provided to access space behind the fridge (100mm narrower if tie downs added to top) - 583L x 560W | \$2,800.00 | \$2,950.00 |
| PS/PA-030402-141236-FDC-IM | Fridge Drawer Combo with 40L Ironman Fitkit - 1400L x 1020W x 365H **Fridge not included Liftout Hatch provided to access space behind the fridge (100mm narrower if tie downs added to top) - 583L x 510W | \$2,800.00 | \$2,950.00 |
| PS/PA-030402-141236-FDC-BM | Fridge Drawer Combo with 30L Bushman Fitkit - 1400L x 1020W x 365H **Fridge not included Liftout Hatch provided to access space behind the fridge (100mm narrower if tie downs added to top) - 583L x 431W | \$2,800.00 | \$2,950.00 |
| PS/PA-030402-141227-1SL | Easy Access Combo 1 & Wing Kit - Small Low Platform to Passenger Side (Gap size 510W). Single Drawer O/A 1400L x 510W x 275H. Total Combo O/A 1400L x 1020W x 275H. (Suits RV-FS-1 or 3 *Not Included) | \$2,410.00 | \$2,560.00 |
| PS/PA-030402-141227-1SR | Easy Access Combo 1 & Wing Kit - Small Low Platform to Driver Side (Gap size 510W). Single Drawer O/A 1400L x 510W x 275H. Total Combo O/A 1400L x 1020W x 275H. (Suits RV-FS-1 or 3 *Not Included) | \$2,410.00 | \$2,560.00 |
| PS/PA-030402-141227-1LL | Easy Access Combo 1 & Wing Kit - Large Low Platform to Passenger Side (Gap size 570W). Single Drawer O/A 1400L x 450W x 275H. Total Combo O/A 1400L x 1020W x 275H. (Suits all RV-FS listed below except SO *Not Included) | \$2,410.00 | \$2,560.00 |
| PS/PA-030402-141227-1LR | Easy Access Combo 1 & Wing Kit - Large Low Platform to Driver Side (Gap size 570W). Single Drawer O/A 1400L x 450W x 275H. Total Combo O/A 1400L x 1020W x 275H. (Suits all RV-FS listed below except SO *Not Included) | \$2,410.00 | \$2,560.00 |
| PS/PA-030402-141227-2SL | Easy Access Combo 2 & Wing Kit - Small Low Platform to Passenger Side (Gap size 510W). Double Stacked Drawers (Standard Height Bottom Drawer O/A 1400L x 510W x 275H, Trade Height Top Drawer O/A 1100L x 510W x 365H). Total Combo O/A 1400L x 1020W x 640H. (Suits RV-FS-1 or 3 *Not Included). Optional 1100L Standard Height top drawer minus -\$100.00 | \$3,100.00 | \$3,400.00 |
| PS/PA-030402-141227-2SR | Easy Access Combo 2 & Wing Kit - Small Low Platform to Driver Side (Gap size 510W). Double Stacked Drawers (Standard Height Bottom Drawer O/A 1400L x 510W x 275H, Trade Height Top Drawer O/A 1100L x 510W x 365H). Total Combo O/A 1400L x 1020W x 640H. (Suits RV-FS-1 or 3 *Not Included). Optional 1100L Standard Height top drawer minus -\$100.00 | \$3,100.00 | \$3,400.00 |
| PS/PA-030402-141227-2LL | Easy Access Combo 2 & Wing Kit - Large Low Platform to Passenger Side (Gap size 570W). Double Stacked Drawers (Standard Height Bottom Drawer O/A 1400L x 450W x 275H, Trade Height Top Drawer O/A 1100L x 450W x 365H). Total Combo O/A 1400L x 1020W x 640H. (Suits all RV-FS listed below except SO *Not Included). Optional 1100L Standard Height top drawer minus -\$100.00 | \$3,100.00 | \$3,400.00 |
| PS/PA-030402-141227-2LR | Easy Access Combo 2 & Wing Kit - Large Low Platform to Driver Side (Gap size 570W). Double Stacked Drawers (Standard Height Bottom Drawer O/A 1400L x 450W x 275H, Trade Height Top Drawer O/A 1100L x 450W x 365H). Total Combo O/A 1400L x 1020W x 640H. (Suits all RV-FS listed below except SO *Not Included). Optional 1100L Standard Height top drawer minus -\$100.00 | \$3,100.00 | \$3,400.00 |
| RV-EAC-IFP-1400 | Easy Access Combo INFILL PANEL - covers fridge slide cavity to create a flat solid top effect (NOTE: top drawer must be removed on EAC-2 systems) | \$224.00 | N/A |
| RV-CS-1451-00 | Cargo Shelf single - 1400L Ventilated side panel and solid top shelf to fit FS-1 (small fridge space) Suits EAC-1 1400L x 1020W | \$803.00 | N/A |
| RV-CS-1457-00 | Cargo Shelf single - 1400L Ventilated side panel and solid top shelf to fit FS-1.5 & FS-2 (large fridge space) Suits EAC-1 1400L x 1020W | \$803.00 | N/A |
| RV-CS-0812-00 | Cargo Shelf double - 800L Ventilated side panel and solid top shelf system. Fits EAC-2 1400L x 1020W fitted with a Trade Height top drawer | \$567.00 | N/A |
| RV-IBFS-1300-DS | Inbuilt Fridge Slide - flush fitting 1300L (Driver Side) Premium drawers only | \$472.00 | N/A |
| RV-IBFS-1300-PS | Inbuilt Fridge Slide - flush fitting 1300L (Passenger Side) Premium drawers only | \$472.00 | N/A |
| PS/PA-RV-FS-1 | Heavy Duty Fridge Slide - 750L x 455W x 80H (external incl. Travel Lock) | \$472.00 | \$522.00 |
| PS-RV-FS-1-SO | Heavy Duty Fridge Slide - 450L x 770W x 110H (external incl. Travel Lock) | \$472.00 | N/A |
| PS/PA-RV-FS-1.5 | Heavy Duty Fridge Slide - 750L x 530W x 80H (external incl. Travel Lock) | \$520.00 | \$570.00 |
| PS/PA-RV-FS-2 | Heavy Duty Fridge Slide - 850L x 560W x 80H (external incl. Travel Lock) | \$567.00 | \$617.00 |
| PS-RV-FS-2-SO | Heavy Duty Fridge Slide - 550L x 870W x 110H (external incl. Travel Lock) | \$567.00 | N/A |
| PS/PA-RV-FS-2.25 | Heavy Duty Fridge Slide - 950L x 560W x 80H (external incl. Travel Lock) | \$590.00 | \$640.00 |
| PS/PA-RV-FS-2.5 | Heavy Duty Fridge Slide - 1050L x 560W x 80H (external incl. Travel Lock) | \$685.00 | \$735.00 |
| PS/PA-RV-FS-3 | Heavy Duty Fridge Slide - 1410L x 455W x 80H (external incl. Travel Lock) | \$886.00 | \$961.00 |
| PS/PA-RV-FS-3.5 | Heavy Duty Fridge Slide - 1410L x 560W x 80H (external incl. Travel Lock) | \$886.00 | \$961.00 |
| <p style="color: red; font-weight: bold;">Need to check whether there is a double or single power outlet in tub</p> <p style="color: red; font-weight: bold;">Travel Slide Drawers available on page 181</p> <p style="color: red; font-weight: bold;">Inbuilt Fridge Slides N/A for alloy drawers</p> | | | |

| VEHICLE MAKE MODEL | FORD NEXT-GEN RANGER (PY/P703) DUAL CAB (Crew Cab) WILDTRAK (JULY 2022+) - 1400x1020 WITH FORD GENUINE TUB LINER, NO ROLLER SHUTTER | FORD | |
|--|---|------------|------------|
| TRADE HEIGHT DRAWERS +\$100 PER DRAWER | | | |
| PREMLBK: PREMIUM BLACK RRP +180.00 (option) | | | |
| DESCRIPTION (PRICES INCLUDE WING KIT UNLESS OTHERWISE STATED) | | | |
| | | PS RRP | PA RRP |
| PS/PA-030403-145127-SSL | Single Drawer & Wing Kit - Standard Height to Passenger Side 1400L x 510W x 275H | \$1,485.00 | \$1,635.00 |
| PS/PA-030403-145127-SSR | Single Drawer & Wing Kit - Standard Height to Driver Side 1400L x 510W x 275H | \$1,485.00 | \$1,635.00 |
| PS/PA-030403-145136-SHL | Single Drawer & Wing Kit - Trade Height to Passenger Side 1400L x 510W x 365H | \$1,585.00 | \$1,735.00 |
| PS/PA-030403-145136-SHR | Single Drawer & Wing Kit - Trade Height to Driver Side 1400L x 510W x 365H | \$1,585.00 | \$1,735.00 |
| EL-030403-141227-TDS | EcoLite Twin Drawer & Wing Kit - Standard Height 1400L x 1020W x 275H | \$2,080.00 | N/A |
| PS/PA-030403-141227-TDS | Twin Drawer & Wing Kit - Standard Height 1400L x 1020W x 275H | \$2,870.00 | \$3,170.00 |
| PS/PA-030403-141236-TDH | Twin Drawer & Wing Kit - Trade Height 1400L x 1020W x 365H | \$3,070.00 | \$3,370.00 |
| PS/PA-030403-141230-FDC-E/D | Fridge Drawer Combo with 30L Engel/Dometic Fitkit - 1400L x 1020W x 300H **Fridge not included Liftout Hatch provided to access space behind the fridge (100mm narrower if tie downs added to top) - 583L x 431W | \$2,690.00 | \$2,840.00 |
| PS/PA-030403-141236-FDC-EK | Fridge Drawer Combo with 40L EvaKool Fitkit - 1400L x 1020W x 365H **Fridge not included Liftout Hatch provided to access space behind the fridge (100mm narrower if tie downs added to top) - 583L x 560W | \$2,800.00 | \$2,950.00 |
| PS/PA-030403-141236-FDC-IM | Fridge Drawer Combo with 40L Ironman Fitkit - 1400L x 1020W x 365H **Fridge not included Liftout Hatch provided to access space behind the fridge (100mm narrower if tie downs added to top) - 583L x 510W | \$2,800.00 | \$2,950.00 |
| PS/PA-030403-141236-FDC-BM | Fridge Drawer Combo with 30L Ironman Fitkit - 1400L x 1020W x 365H **Fridge not included Liftout Hatch provided to access space behind the fridge (100mm narrower if tie downs added to top) - 583L x 431W | \$2,800.00 | \$2,950.00 |
| PS/PA-030403-141227-1SL | Easy Access Combo 1 & Wing Kit - Small Low Platform to Passenger Side (Gap size 510W). Single Drawer O/A 1400L x 510W x 275H. Total Combo O/A 1400L x 1020W x 275H. (Suits RV-FS-1 or 3 *Not Included) | \$2,410.00 | \$2,560.00 |
| PS/PA-030403-141227-1SR | Easy Access Combo 1 & Wing Kit - Small Low Platform to Driver Side (Gap size 510W). Single Drawer O/A 1400L x 510W x 275H. Total Combo O/A 1400L x 1020W x 275H. (Suits RV-FS-1 or 3 *Not Included) | \$2,410.00 | \$2,560.00 |
| PS/PA-030403-141227-1LL | Easy Access Combo 1 & Wing Kit - Large Low Platform to Passenger Side (Gap size 570W). Single Drawer O/A 1400L x 450W x 275H. Total Combo O/A 1400L x 1020W x 275H. (Suits all RV-FS listed below except SO *Not Included) | \$2,410.00 | \$2,560.00 |
| PS/PA-030403-141227-1LR | Easy Access Combo 1 & Wing Kit - Large Low Platform to Driver Side (Gap size 570W). Single Drawer O/A 1400L x 450W x 275H. Total Combo O/A 1400L x 1020W x 275H. (Suits all RV-FS listed below except SO *Not Included) | \$2,410.00 | \$2,560.00 |
| PS/PA-030403-141227-2SL | Easy Access Combo 2 & Wing Kit - Small Low Platform to Passenger Side (Gap size 510W). Double Stacked Drawers (Standard Height Bottom Drawer O/A 1400L x 510W x 275H, Trade Height Top Drawer O/A 1100L x 510W x 365H). Total Combo O/A 1400L x 1020W x 640H. (Suits RV-FS-1 or 3 *Not Included). Optional 1100L Standard Height top drawer minus -\$100.00 | \$3,100.00 | \$3,400.00 |
| PS/PA-030403-141227-2SR | Easy Access Combo 2 & Wing Kit - Small Low Platform to Driver Side (Gap size 510W). Double Stacked Drawers (Standard Height Bottom Drawer O/A 1400L x 510W x 275H, Trade Height Top Drawer O/A 1100L x 510W x 365H). Total Combo O/A 1400L x 1020W x 640H. (Suits RV-FS-1 or 3 *Not Included). Optional 1100L Standard Height top drawer minus -\$100.00 | \$3,100.00 | \$3,400.00 |
| PS/PA-030403-141227-2LL | Easy Access Combo 2 & Wing Kit - Large Low Platform to Passenger Side (Gap size 570W). Double Stacked Drawers (Standard Height Bottom Drawer O/A 1400L x 450W x 275H, Trade Height Top Drawer O/A 1100L x 450W x 365H). Total Combo O/A 1400L x 1020W x 640H. (Suits all RV-FS listed below except SO *Not Included). Optional 1100L Standard Height top drawer minus -\$100.00 | \$3,100.00 | \$3,400.00 |
| PS/PA-030403-141227-2LR | Easy Access Combo 2 & Wing Kit - Large Low Platform to Driver Side (Gap size 570W). Double Stacked Drawers (Standard Height Bottom Drawer O/A 1400L x 450W x 275H, Trade Height Top Drawer O/A 1100L x 450W x 365H). Total Combo O/A 1400L x 1020W x 640H. (Suits all RV-FS listed below except SO *Not Included). Optional 1100L Standard Height top drawer minus -\$100.00 | \$3,100.00 | \$3,400.00 |
| RV-EAC-IFP-1400 | Easy Access Combo INFILL PANEL - covers fridge slide cavity to create a flat solid top effect (NOTE: top drawer must be removed on EAC-2 systems) | \$224.00 | N/A |
| RV-CS-1451-00 | Cargo Shelf single - 1400L Ventilated side panel and solid top shelf to fit FS-1 (small fridge space) Suits EAC-1 1400L x 1020W | \$803.00 | N/A |
| RV-CS-1457-00 | Cargo Shelf single - 1400L Ventilated side panel and solid top shelf to fit FS-1.5 & FS-2 (large fridge space) Suits EAC-1 1400L x 1020W | \$803.00 | N/A |
| RV-CS-0812-00 | Cargo Shelf double - 800L Ventilated side panel and solid top shelf system. Fits EAC-2 1400L x 1020W fitted with a Trade Height top drawer | \$567.00 | N/A |
| RV-IBFS-1300-DS | Inbuilt Fridge Slide - flush fitting 1300L (Driver Side) Premium drawers only | \$472.00 | N/A |
| RV-IBFS-1300-PS | Inbuilt Fridge Slide - flush fitting 1300L (Passenger Side) Premium drawers only | \$472.00 | N/A |
| PS/PA-RV-FS-1 | Heavy Duty Fridge Slide - 750L x 455W x 80H (external incl. Travel Lock) | \$472.00 | \$522.00 |
| PS-RV-FS-1-SO | Heavy Duty Fridge Slide - 450L x 770W x 110H (external incl. Travel Lock) | \$472.00 | N/A |
| PS/PA-RV-FS-1.5 | Heavy Duty Fridge Slide - 750L x 530W x 80H (external incl. Travel Lock) | \$520.00 | \$570.00 |
| PS/PA-RV-FS-2 | Heavy Duty Fridge Slide - 850L x 560W x 80H (external incl. Travel Lock) | \$567.00 | \$617.00 |
| PS-RV-FS-2-SO | Heavy Duty Fridge Slide - 550L x 870W x 110H (external incl. Travel Lock) | \$567.00 | N/A |
| PS/PA-RV-FS-2.25 | Heavy Duty Fridge Slide - 950L x 560W x 80H (external incl. Travel Lock) | \$590.00 | \$640.00 |
| PS/PA-RV-FS-2.5 | Heavy Duty Fridge Slide - 1050L x 560W x 80H (external incl. Travel Lock) | \$685.00 | \$735.00 |
| PS/PA-RV-FS-3 | Heavy Duty Fridge Slide - 1410L x 455W x 80H (external incl. Travel Lock) | \$886.00 | \$961.00 |
| PS/PA-RV-FS-3.5 | Heavy Duty Fridge Slide - 1410L x 560W x 80H (external incl. Travel Lock) | \$886.00 | \$961.00 |
| Need to check whether there is a double or single power outlet in tub For No Tub Liner/No roller shutter Wildtrak refer to 030401 for pricing and sizing Travel Slide Drawers available on page 181 Inbuilt Fridge Slides N/A for alloy drawers | | | |

| VEHICLE MAKE MODEL | FORD NEXT-GEN RANGER (PY/P703) DUAL CAB (Crew Cab) WILDTRAK, SPORT (JULY 2022+) - 1400x1020 / 1200x1020 WITH FORD GENUINE TUB LINER, WITH ROLLER SHUTTER | FORD | |
|---|---|---------------|---------------|
| PA: Premium Alloy PS: Premium Steel EL: EcoLite | TRADE HEIGHT DRAWERS +\$100 PER DRAWER | | |
| | PREMLBK: PREMIUM BLACK RRP +180.00 (option) | | |
| | DESCRIPTION (PRICES INCLUDE WING KIT UNLESS OTHERWISE STATED) | PS RRP | PA RRP |
| PS/PA-030404-145127-SSL | Single Drawer & Wing Kit - Standard Height to Passenger Side 1400L x 510W x 275H | \$1,485.00 | \$1,635.00 |
| PS/PA-030404-145127-SSR | Single Drawer & Wing Kit - Standard Height to Driver Side 1400L x 510W x 275H | \$1,485.00 | \$1,635.00 |
| PS/PA-030404-125136-SHL | Single Drawer & Wing Kit - Trade Height to Passenger Side 1200L x 510W x 365H | \$1,540.00 | \$1,690.00 |
| PS/PA-030404-125136-SHR | Single Drawer & Wing Kit - Trade Height to Driver Side 1200L x 510W x 365H | \$1,540.00 | \$1,690.00 |
| EL-030404-141227-TDS | EcoLite Twin Drawer & Wing Kit - Standard Height 1400L x 1020W x 275H | \$2,080.00 | N/A |
| PS/PA-030404-141227-TDS | Twin Drawer & Wing Kit - Standard Height 1400L x 1020W x 275H | \$2,870.00 | \$3,170.00 |
| PS/PA-030404-121236-TDH | Twin Drawer & Wing Kit - Trade Height 1200L x 1020W x 365H | \$2,970.00 | \$3,270.00 |
| PS/PA-030404-121230-FDC-E/D | Fridge Drawer Combo with 30L Engel/Dometic Fitkit - 1200L x 1020W x 300H **Fridge not included Liftout Hatch provided to access space behind the fridge (100mm narrower if tie downs added to top) - 383L x 431W | \$2,635.00 | \$2,785.00 |
| PS/PA-030404-121236-FDC-EK | Fridge Drawer Combo with 40L EvaKool Fitkit - 1200L x 1020W x 365H **Fridge not included Liftout Hatch provided to access space behind the fridge (100mm narrower if tie downs added to top) - 383L x 560W | \$2,745.00 | \$2,895.00 |
| PS/PA-030404-121236-FDC-IM | Fridge Drawer Combo with 40L Ironman Fitkit - 1200L x 1020W x 365H **Fridge not included Liftout Hatch provided to access space behind the fridge (100mm narrower if tie downs added to top) - 383L x 510W | \$2,745.00 | \$2,895.00 |
| PS/PA-030404-121236-FDC-BM | Fridge Drawer Combo with 30L Bushman Fitkit - 1200L x 1020W x 365H **Fridge not included Liftout Hatch provided to access space behind the fridge (100mm narrower if tie downs added to top) - 383L x 431W | \$2,745.00 | \$2,895.00 |
| PS/PA-030404-141227-1SL | Easy Access Combo 1 Standard Height & Wing Kit - Small Low Platform to Passenger Side (Gap size 510W). Single Drawer STANDARD HEIGHT O/A 1400L x 510W x 275H. Total Combo O/A 1400L x 1020W x 275H. (Suits RV-FS-1 or 3 *Not Included) | \$2,410.00 | \$2,560.00 |
| PS/PA-030404-141227-1SR | Easy Access Combo 1 Standard Height & Wing Kit - Small Low Platform to Driver Side (Gap size 510W). Single Drawer STANDARD HEIGHT O/A 1400L x 510W x 275H. Total Combo O/A 1400L x 1020W x 275H. (Suits RV-FS-1 or 3 *Not Included) | \$2,410.00 | \$2,560.00 |
| PS/PA-030404-141227-1LL | Easy Access Combo 1 Standard Height & Wing Kit - Large Low Platform to Passenger Side (Gap size 570W). Single Drawer STANDARD HEIGHT O/A 1400L x 450W x 275H. Total Combo O/A 1400L x 1020W x 275H. (Suits all RV-FS listed below except SO *Not Included) | \$2,410.00 | \$2,560.00 |
| PS/PA-030404-141227-1LR | Easy Access Combo 1 Standard Height & Wing Kit - Large Low Platform to Driver Side (Gap size 570W). Single Drawer STANDARD HEIGHT O/A 1400L x 450W x 275H. Total Combo O/A 1400L x 1020W x 275H. (Suits all RV-FS listed below except SO *Not Included) | \$2,410.00 | \$2,560.00 |
| PS/PA-030404-121236-1SL | Easy Access Combo 1 Trade Height & Wing Kit - Small Low Platform to Passenger Side (Gap size 510W). Single Drawer TRADE HEIGHT O/A 1200L x 510W x 365H. Total Combo O/A 1200L x 1020W x 365H. (Suits RV-FS-1 *Not Included) | \$2,455.00 | \$2,605.00 |
| PS/PA-030404-121236-1SR | Easy Access Combo 1 Trade Height & Wing Kit - Small Low Platform to Driver Side (Gap size 510W). Single Drawer TRADE HEIGHT O/A 1200L x 510W x 365H. Total Combo O/A 1200L x 1020W x 365H. (Suits RV-FS-1 *Not Included) | \$2,455.00 | \$2,605.00 |
| PS/PA-030404-121236-1LL | Easy Access Combo 1 Trade Height & Wing Kit - Large Low Platform to Passenger Side (Gap size 570W). Single Drawer TRADE HEIGHT O/A 1200L x 450W x 365H. Total Combo O/A 1200L x 1020W x 365H. (Suits all RV-FS listed below except FS3, 3.5 & SO *Not Included) | \$2,455.00 | \$2,605.00 |
| PS/PA-030404-121236-1LR | Easy Access Combo 1 Trade Height & Wing Kit - Large Low Platform to Driver Side (Gap size 570W). Single Drawer TRADE HEIGHT O/A 1200L x 450W x 365H. Total Combo O/A 1200L x 1020W x 365H. (Suits all RV-FS listed below except FS3, 3.5 & SO *Not Included) | \$2,455.00 | \$2,605.00 |
| RV-EAC-IFP-1400 | Easy Access Combo INFILL PANEL FOR STANDARD HEIGHT- covers fridge slide cavity for a flat solid top effect | \$224.00 | N/A |
| RV-EAC-IFP-1200 | Easy Access Combo INFILL PANEL FOR TRADE HEIGHT- covers fridge slide cavity for a flat solid top effect | \$224.00 | N/A |
| RV-IBFS-1300-DS | Inbuilt Fridge Slide - flush fitting 1300L (Driver Side) <i>Premium drawers only</i> | \$472.00 | N/A |
| RV-IBFS-1300-PS | Inbuilt Fridge Slide - flush fitting 1300L (Passenger Side) <i>Premium drawers only</i> | \$472.00 | N/A |
| PS/PA-RV-FS-1 | Heavy Duty Fridge Slide - 750L x 455W x 80H (external incl. Travel Lock) | \$472.00 | \$522.00 |
| PS-RV-FS-1-SO | Heavy Duty Fridge Slide - 450L x 770W x 110H (external incl. Travel Lock) | \$472.00 | N/A |
| PS/PA-RV-FS-1.5 | Heavy Duty Fridge Slide - 750L x 530W x 80H (external incl. Travel Lock) | \$520.00 | \$570.00 |
| PS/PA-RV-FS-2 | Heavy Duty Fridge Slide - 850L x 560W x 80H (external incl. Travel Lock) | \$567.00 | \$617.00 |
| PS-RV-FS-2-SO | Heavy Duty Fridge Slide - 550L x 870W x 110H (external incl. Travel Lock) | \$567.00 | N/A |
| PS/PA-RV-FS-2.25 | Heavy Duty Fridge Slide - 950L x 560W x 80H (external incl. Travel Lock) | \$590.00 | \$640.00 |
| PS/PA-RV-FS-2.5 | Heavy Duty Fridge Slide - 1050L x 560W x 80H (external incl. Travel Lock) | \$685.00 | \$735.00 |
| PS/PA-RV-FS-3 | Heavy Duty Fridge Slide - 1410L x 455W x 80H (external incl. Travel Lock) **Not Available For Trade Height | \$886.00 | \$961.00 |
| PS/PA-RV-FS-3.5 | Heavy Duty Fridge Slide - 1410L x 560W x 80H (external incl. Travel Lock) **Not Available For Trade Height | \$886.00 | \$961.00 |
| Need to check whether there is a double or single power outlet in tub | | | |
| Travel Slide Drawers available on page 181 | | | |
| Inbuilt Fridge Slides N/A for alloy drawers | | | |

| VEHICLE MAKE MODEL | FORD TRANSIT VAN 2000-2013 Third Gen SWB (Rear Door & Side Door) 1300x1140 / 1300x970 | | | FORD |
|---|---|------------|------------|------|
| PA: Premium Alloy PS: Premium Steel EL: EcoLite | TRADE HEIGHT DRAWERS +\$100 PER DRAWER | | | |
| | PREMLBK: PREMIUM BLACK RRP +180.00 (option) | | | |
| | DESCRIPTION (PRICES INCLUDE WING KIT UNLESS OTHERWISE STATED) | PS RRP | PA RRP | |
| PS/PA-031001-135727-SSL | Single Drawer & Wing Kit REAR DOOR - Standard Height to Passenger Side 1300L x 570W x 275H | \$1,480.00 | \$1,630.00 | |
| PS/PA-031001-135727-SSR | Single Drawer & Wing Kit REAR DOOR - Standard Height to Driver Side 1300L x 570W x 275H | \$1,480.00 | \$1,630.00 | |
| PS/PA-031001-135736-SHL | Single Drawer & Wing Kit REAR DOOR - Trade Height to Passenger Side 1300L x 570W x 365H | \$1,580.00 | \$1,730.00 | |
| PS/PA-031001-135736-SHR | Single Drawer & Wing Kit REAR DOOR - Trade Height to Driver Side 1300L x 570W x 365H | \$1,580.00 | \$1,730.00 | |
| EL-031001-131227-TDS | EcoLite Twin Drawer & Wing Kit - Standard Height 1300L x 1020W x 275H (NOTE EcoLite Width: 1020W) | \$2,020.00 | N/A | |
| PS/PA-031001-131427-TDS | Twin Drawer & Wing Kit REAR DOOR - Standard Height 1300L x 1140W x 275H | \$2,860.00 | \$3,160.00 | |
| PS/PA-031001-131436-TDH | Twin Drawer & Wing Kit REAR DOOR - Trade Height 1300L x 1140W x 365H | \$3,060.00 | \$3,360.00 | |
| PS/PA-031002-139727-TDS | Twin Drawer & Wing Kit SIDE DOOR - Standard Height 1300L x 970W x 275H | \$2,815.00 | \$3,115.00 | |
| PS/PA-031002-139736-TDH | Twin Drawer & Wing Kit SIDE DOOR - Trade Height 1300L x 970W x 365H | \$3,015.00 | \$3,315.00 | |
| EL-031002-139727-TDS | EcoLite Twin Drawer & Wing Kit SIDE DOOR - Standard Height 1300L x 970W x 275H | \$2,010.00 | N/A | |
| RV-IBFS-1300-DS | Inbuilt Fridge Slide - flush fitting 1300L (Driver Side) <i>Premium drawers only</i> | \$472.00 | N/A | |
| RV-IBFS-1300-PS | Inbuilt Fridge Slide - flush fitting 1300L (Passenger Side) <i>Premium drawers only</i> | \$472.00 | N/A | |
| PS/PA-RV-FS-1 | Heavy Duty Fridge Slide - 750L x 455W x 80H (external incl. Travel Lock) | \$472.00 | \$522.00 | |
| PS-RV-FS-1-SO | Heavy Duty Fridge Slide - 450L x 770W x 110H (external incl. Travel Lock) | \$472.00 | N/A | |
| PS/PA-RV-FS-1.5 | Heavy Duty Fridge Slide - 750L x 530W x 80H (external incl. Travel Lock) | \$520.00 | \$570.00 | |
| PS/PA-RV-FS-2 | Heavy Duty Fridge Slide - 850L x 560W x 80H (external incl. Travel Lock) | \$567.00 | \$617.00 | |
| PS-RV-FS-2-SO | Heavy Duty Fridge Slide - 550L x 870W x 110H (external incl. Travel Lock) | \$567.00 | N/A | |
| PS/PA-RV-FS-2.25 | Heavy Duty Fridge Slide - 950L x 560W x 80H (external incl. Travel Lock) | \$590.00 | \$640.00 | |
| PS/PA-RV-FS-2.5 | Heavy Duty Fridge Slide - L1050 x W560 x 80H (external incl. Travel Lock) | \$685.00 | \$735.00 | |
| PS/PA-RV-FS-3 | Heavy Duty Fridge Slide - 1410L x 455W x 80H (external incl. Travel Lock) <i>SIDE DOOR ONLY</i> | \$886.00 | \$961.00 | |
| PS/PA-RV-FS-3.5 | Heavy Duty Fridge Slide - 1410L x 560W x 80H (external incl. Travel Lock) <i>SIDE DOOR ONLY</i> | \$886.00 | \$961.00 | |

Inbuilt Fridge Slides N/A for alloy drawers

| VEHICLE MAKE MODEL | FORD TRANSIT VAN 2013+ Fourth Gen SWB (Rear Door & Side Door) - 1300x1140 / 1500x970 FORD | | |
|---|---|------------|------------|
| PA: Premium Alloy PS: Premium Steel EL: EcoLite | TRADE HEIGHT DRAWERS +\$100 PER DRAWER | | |
| | PREMLBK: PREMIUM BLACK RRP +180.00 (option) | | |
| | DESCRIPTION <i>(PRICES INCLUDE WING KIT UNLESS OTHERWISE STATED)</i> | PS RRP | PA RRP |
| PS/PA-031005-135727-SSL | Single Drawer & Wing Kit REAR DOOR - Standard Height to Passenger Side 1300L x 570W x 275H | \$1,480.00 | \$1,630.00 |
| PS/PA-031005-135727-SSR | Single Drawer & Wing Kit REAR DOOR - Standard Height to Driver Side 1300L x 570W x 275H | \$1,480.00 | \$1,630.00 |
| PS/PA-031005-135736-SHL | Single Drawer & Wing Kit REAR DOOR - Trade Height to Passenger Side 1300L x 570W x 365H | \$1,580.00 | \$1,730.00 |
| PS/PA-031005-135736-SHR | Single Drawer & Wing Kit REAR DOOR - Trade Height to Driver Side 1300L x 570W x 365H | \$1,580.00 | \$1,730.00 |
| EL-031005-131227-TDS | EcoLite Twin Drawer & Wing Kit - Standard Height 1300L x 1020W x 275H (NOTE EcoLite Width: 1020W) | \$2,020.00 | N/A |
| PS/PA-031005-131427-TDS | Twin Drawer & Wing Kit REAR DOOR - Standard Height 1300L x 1140W x 275H | \$2,860.00 | \$3,160.00 |
| PS/PA-031005-131436-TDH | Twin Drawer & Wing Kit REAR DOOR - Trade Height 1300L x 1140W x 365H | \$3,060.00 | \$3,360.00 |
| EL-031006-159727-TDS | EcoLite Twin Drawer & Wing Kit - Standard Height 1500L x 970W x 275H | \$2,130.00 | N/A |
| PS/PA-031006-159727-TDS | Twin Drawer & Wing Kit SIDE DOOR - Standard Height 1500L x 970W x 275H | \$2,980.00 | \$3,311.00 |
| PS-031006-159736-TDH | Twin Drawer & Wing Kit SIDE DOOR - Trade Height 1500L x 970W x 365H | \$3,180.00 | N/A |
| RV-IBFS-1300-DS | Inbuilt Fridge Slide - flush fitting 1300L (Driver Side) <i>Premium drawers only</i> | \$472.00 | N/A |
| RV-IBFS-1300-PS | Inbuilt Fridge Slide - flush fitting 1300L (Passenger Side) <i>Premium drawers only</i> | \$472.00 | N/A |
| PS/PA-RV-FS-1 | Heavy Duty Fridge Slide - 750L x 455W x 80H (external incl. Travel Lock) | \$472.00 | \$522.00 |
| PS-RV-FS-1-SO | Heavy Duty Fridge Slide - 450L x 770W x 110H (external incl. Travel Lock) | \$472.00 | N/A |
| PS/PA-RV-FS-1.5 | Heavy Duty Fridge Slide - 750L x 530W x 80H (external incl. Travel Lock) | \$520.00 | \$570.00 |
| PS/PA-RV-FS-2 | Heavy Duty Fridge Slide - 850L x 560W x 80H (external incl. Travel Lock) | \$567.00 | \$617.00 |
| PS-RV-FS-2-SO | Heavy Duty Fridge Slide - 550L x 870W x 110H (external incl. Travel Lock) | \$567.00 | N/A |
| PS/PA-RV-FS-2.25 | Heavy Duty Fridge Slide - 950L x 560W x 80H (external incl. Travel Lock) | \$590.00 | \$640.00 |
| PS/PA-RV-FS-2.5 | Heavy Duty Fridge Slide - L1050 x W560 x 80H (external incl. Travel Lock) | \$685.00 | \$735.00 |
| PS/PA-RV-FS-3 | Heavy Duty Fridge Slide - 1410L x 455W x 80H (external incl. Travel Lock) <i>SIDE DOOR ONLY</i> | \$886.00 | \$961.00 |
| PS/PA-RV-FS-3.5 | Heavy Duty Fridge Slide - 1410L x 560W x 80H (external incl. Travel Lock) <i>SIDE DOOR ONLY</i> | \$886.00 | \$961.00 |
| Inbuilt Fridge Slides N/A for alloy drawers | | | |

| VEHICLE MAKE MODEL | FORD EVEREST TREND/TITANIUM (2015 - JUNE 2022) - 900x900 | FORD | |
|--|---|------------|------------|
| PA: Premium Alloy PS: Premium Steel EL: EcoLite | TRADE HEIGHT DRAWERS +\$100 PER DRAWER | | |
| | PREMLBK: PREMIUM BLACK RRP +180.00 (option) | | |
| | DESCRIPTION (PRICES INCLUDE WING KIT UNLESS OTHERWISE STATED) | PS RRP | PA RRP |
| EL-030310-099027-TDS | EcoLite Twin Drawer & Wing Kit - Standard Height 900L x 900W x 275H (Subframe included) | \$2,010.00 | N/A |
| PS/PA-030310-099027-TDS | Twin Drawer & Wing Kit - Standard Height 900L x 900W x 275H (Subframe included) | \$2,705.00 | \$3,005.00 |
| PS/PA-030310-099030-FDC-E/D | Fridge Drawer Combo with 30L Engel/Dometic Fitkit - 900L x 900W x 300H (Subframe included) *Fridge not included Liftout Hatch provided to access space behind the fridge (100mm narrower if tie downs added to top) - 133L x 431W | \$2,735.00 | \$2,885.00 |
| PA-030310-099030-FDS-E/D | Engel/Dometic Fridge Drawer Stacker with Engel/Dometic Fitkit - 900L x 900W x 300H (Subframe included) *Fridge not included Liftout Hatch provided to access space behind the fridge (100mm narrower if tie downs added to top) - 133L x 431W | N/A | \$3,721.00 |
| PS/PA-030310-099027-1SL | Easy Access Combo 1 & Wing Kit - Small Low Platform to Passenger Side (Gap size 500W). Single Drawer O/A 900L x 400W x 275H. Total Combo O/A 900L x 900W x 275H. (Subframe included) (Suits RV-FS-1 *Not Included) (Cargo Shelf Not Suitable) | \$2,245.00 | \$2,395.00 |
| PS/PA-030310-099027-1SR | Easy Access Combo 1 & Wing Kit - Small Low Platform to Driver Side (Gap size 500W). Single Drawer O/A 900L x 400W x 275H. Total Combo O/A 900L x 900W x 275H. (Subframe included) (Suits RV-FS-1 *Not Included) (Cargo Shelf Not Suitable) | \$2,245.00 | \$2,395.00 |
| PS/PA-030310-099027-1LL | Easy Access Combo 1 & Wing Kit - Large Low Platform to Passenger Side (Gap size 570W). Single Drawer O/A 900L x 330W x 275H. Total Combo O/A 900L x 900W x 275H. (Subframe included) (Suits all RV-FS listed below except SO *Not Included) (Cargo Shelf Not Suitable) | \$2,245.00 | \$2,395.00 |
| PS/PA-030310-099027-1LR | Easy Access Combo 1 & Wing Kit - Large Low Platform to Driver Side (Gap size 570W). Single Drawer O/A 900L x 330W x 275H. Total Combo O/A 900L x 900W x 275H. (Subframe included) (Suits all RV-FS listed below except SO *Not Included) (Cargo Shelf Not Suitable) | \$2,245.00 | \$2,395.00 |
| PS/PA-030310-099027-2SL | Easy Access Combo 2 & Wing Kit - Small Low Platform to Passenger Side (Gap size 500W). Double Stacked Drawers (Standard Height Bottom Drawer O/A 900L x 400W x 275H, Trade Height Top Drawer O/A 700L x 400W x 365H). Total Combo O/A 900L x 900W x 640H. (Subframe included) (Suits RV-FS-1 *Not Included) (Cargo Shelf Not Suitable). Optional 700L Standard Height top drawer minus -\$100.00 | \$2,935.00 | \$3,235.00 |
| PS/PA-030310-099027-2SR | Easy Access Combo 2 & Wing Kit - Small Low Platform to Driver Side (Gap size 500W). Double Stacked Drawers (Standard Height Bottom Drawer O/A 900L x 400W x 275H, Trade Height Top Drawer O/A 700L x 400W x 365H). Total Combo O/A 900L x 900W x 640H. (Subframe included) (Suits RV-FS-1 *Not Included) (Cargo Shelf Not Suitable). Optional 700L Standard Height top drawer minus -\$100.00 | \$2,935.00 | \$3,235.00 |
| PS/PA-030310-099027-2LL | Easy Access Combo 2 & Wing Kit - Large Low Platform to Passenger Side (Gap size 570W). Double Stacked Drawers (Standard Height Bottom Drawer O/A 900L x 330W x 275H, Trade Height Top Drawer O/A 700L x 330W x 365H). Total Combo O/A 900L x 900W x 640H. (Subframe included) (Suits all RV-FS listed below except SO *Not Included) (Cargo Shelf Not Suitable). Optional 700L Standard Height top drawer minus -\$100.00 | \$2,935.00 | \$3,235.00 |
| PS/PA-030310-099027-2LR | Easy Access Combo 2 & Wing Kit - Large Low Platform to Driver Side (Gap size 570W). Double Stacked Drawers (Standard Height Bottom Drawer O/A 900L x 330W x 275H, Trade Height Top Drawer O/A 700L x 330W x 365H). Total Combo O/A 900L x 900W x 640H. (Subframe included) (Suits all RV-FS listed below except SO *Not Included) (Cargo Shelf Not Suitable). Optional 700L Standard Height top drawer minus -\$100.00 | \$2,935.00 | \$3,235.00 |
| RV-EAC-IFP-900 | Easy Access Combo INFILL PANEL - covers fridge slide cavity to create a flat solid top effect (NOTE: top drawer must be removed on EAC-2 systems) | \$164.00 | N/A |
| RV-IBFS-900-DS | Inbuilt Fridge Slide - flush fitting 900L (Driver Side) Premium drawers only | \$413.00 | \$413.00 |
| RV-IBFS-900-PS | Inbuilt Fridge Slide - flush fitting 900L (Passenger Side) Premium drawers only | \$413.00 | \$413.00 |
| PS/PA-RV-FS-1 | Heavy Duty Fridge Slide - 750L x 455W x 80H (external incl. Travel Lock) | \$472.00 | \$522.00 |
| RV-FS-1-SO | Heavy Duty Fridge Slide - 450L x 770W x 110H (external incl. Travel Lock) | \$472.00 | N/A |
| PS/PA-RV-FS-1.5 | Heavy Duty Fridge Slide - 750L x 530W x 80H (external incl. Travel Lock) | \$520.00 | \$570.00 |
| PS/PA-RV-FS-2 | Heavy Duty Fridge Slide - 850L x 560W x 80H (external incl. Travel Lock) | \$567.00 | \$617.00 |
| RV-FS-2-SO | Heavy Duty Fridge Slide - 550L x 870W x 110H (external incl. Travel Lock) | \$567.00 | N/A |
| RV-030310-HCB | Rear Cargo Barrier - Half height for fitment to RV drawer system, ADR Compliant | \$685.00 | N/A |
| <p>Remove the jack. Access to the tyre winder is through infill panel No Trade Height Option Available Rear Cargo Barrier only available for Standard Height Cargo Shelf is not available for this vehicle Travel Slide Drawers available on page 181</p> | | | |

| VEHICLE MAKE MODEL | FORD NEXT-GEN EVEREST (U704) TREND, AMBIENTE, SPORT, PLATINUM 7-SEATER (JUNE 2022+) - 900x970 / 850x970 | FORD | |
|--|---|------------|------------|
| PA: Premium Alloy PS: Premium Steel EL: EcoLite | TRADE HEIGHT DRAWERS +\$100 PER DRAWER | | |
| | PREMBLK: PREMIUM BLACK RRP +180.00 (option) | | |
| DESCRIPTION (PRICES INCLUDE WING KIT UNLESS OTHERWISE STATED) | PS RRP | PA RRP | |
| EL-030410-099727-TDS | EcoLite Twin Drawer & Wing Kit - Standard Height 900L x 970W x 275H (Subframe included) | \$2,010.00 | N/A |
| PS/PA-030410-099727-TDS | Twin Drawer & Wing Kit - Standard Height 900L x 970W x 275H (Subframe included) | \$2,705.00 | \$3,005.00 |
| PS/PA-030410-859736-TDH | Twin Drawer & Wing Kit - Trade Height 850L x 970W x 365H (Subframe included) | \$2,760.00 | \$3,060.00 |
| PS/PA-030410-099730-FDC-E/D | Fridge Drawer Combo with 30L Engel/Dometic Fitkit - 900L x 970W x 300H (Subframe included) *Fridge not included Liftout Hatch provided to access space behind the fridge (100mm narrower if tie downs added to top) - 133L x 431W | \$2,735.00 | \$2,885.00 |
| PS/PA-030410-859736-FDC-EK | Fridge Drawer Combo with 40L EvaKool Fitkit - 850L x 970W x 365H (Subframe included) *Fridge not included NO LIFTOUT HATCH | \$2,745.00 | \$2,895.00 |
| PS/PA-030410-859736-FDC-IM | Fridge Drawer Combo with 40L Ironman Fitkit - 850L x 970W x 365H (Subframe included) *Fridge not included NO LIFTOUT HATCH | \$2,745.00 | \$2,895.00 |
| PS/PA-030410-859736-FDC-BM | Fridge Drawer Combo with 30L Bushman Fitkit - 850L x 970W x 365H (Subframe included) *Fridge not included NO LIFTOUT HATCH | \$2,745.00 | \$2,895.00 |
| PA-030410-099730-FDS-E/D | Engel/Dometic Fridge Drawer Stacker with Engel/Dometic Fitkit - 900L x 970W x 300H (Subframe included) *Fridge not included Liftout Hatch provided to access space behind the fridge (100mm narrower if tie downs added to top) - 133L x 431W | N/A | \$3,721.00 |
| PA-030410-859736-FDS-EK | Evakool Fridge Drawer Stacker with EvaKool Fitkit - 850L x 970W x 365H (Subframe included) *Fridge not included NO LIFTOUT HATCH | N/A | \$3,731.00 |
| PA-030410-859736-FDS-BM | Bushman Fridge Drawer Stacker with Bushman Fitkit - 850L x 970W x 365H (Subframe included) *Fridge not included NO LIFTOUT HATCH | N/A | \$3,731.00 |
| PS/PA-030410-099727-1SL | Easy Access Combo 1 & Wing Kit - Small Low Platform to Passenger Side (Gap size 485W). Single Drawer O/A 900L x 485W x 275H. Total Combo O/A 900L x 970W x 275H. (Subframe included) (Suits RV-FS-1 *Not Included) (Suits Cargo Shelf Single 485W *Not Included) | \$2,245.00 | \$2,395.00 |
| PS/PA-030410-099727-1SR | Easy Access Combo 1 & Wing Kit - Small Low Platform to Driver Side (Gap size 485W). Single Drawer O/A 900L x 485W x 275H. Total Combo O/A 900L x 970W x 275H. (Subframe included) (Suits RV-FS-1 *Not Included) (Suits Cargo Shelf Single 485W *Not Included) | \$2,245.00 | \$2,395.00 |
| PS/PA-030410-099727-1LL | Easy Access Combo 1 & Wing Kit - Large Low Platform to Passenger Side (Gap size 570W). Single Drawer O/A 900L x 400W x 275H. Total Combo O/A 900L x 970W x 275H. (Subframe included) (Suits all RV-FS listed below except SO *Not Included) (Suits Cargo Shelf Single 570W *Not Included) | \$2,245.00 | \$2,395.00 |
| PS/PA-030410-099727-1LR | Easy Access Combo 1 & Wing Kit - Large Low Platform to Driver Side (Gap size 570W). Single Drawer O/A 900L x 400W x 275H. Total Combo O/A 900L x 970W x 275H. (Subframe included) (Suits all RV-FS listed below except SO *Not Included) (Suits Cargo Shelf Single 570W *Not Included) | \$2,245.00 | \$2,395.00 |
| PS/PA-030410-099727-2SL | Easy Access Combo 2 & Wing Kit - Small Low Platform to Passenger Side (Gap size 485W). Double Stacked Drawers (Standard Height Bottom Drawer O/A 900L x 485W x 275H, Trade Height Top Drawer O/A 700L x 485W x 365H). Total Combo O/A 900L x 970W x 640H. (Subframe included) (Suits RV-FS-1 *Not Included) (Suits Cargo Shelf Double 970W *Not Included). Optional 700L Standard Height top drawer minus -\$100.00, but cannot have Double Cargo Shelf. | \$2,935.00 | \$3,235.00 |
| PS/PA-030410-099727-2SR | Easy Access Combo 2 & Wing Kit - Small Low Platform to Driver Side (Gap size 485W). Double Stacked Drawers (Standard Height Bottom Drawer O/A 900L x 485W x 275H, Trade Height Top Drawer O/A 700L x 485W x 365H). Total Combo O/A 900L x 970W x 640H. (Subframe included) (Suits RV-FS-1 *Not Included) (Suits Cargo Shelf Double 970W *Not Included). Optional 700L Standard Height top drawer minus -\$100.00, but cannot have Double Cargo Shelf. | \$2,935.00 | \$3,235.00 |
| PS/PA-030410-099727-2LL | Easy Access Combo 2 & Wing Kit - Large Low Platform to Passenger Side (Gap size 570W). Double Stacked Drawers (Standard Height Bottom Drawer O/A 900L x 400W x 275H, Trade Height Top Drawer O/A 700L x 400W x 365H). Total Combo O/A 900L x 970W x 640H. (Subframe included) (Suits all RV-FS listed below except SO *Not Included) (Suits Cargo Shelf Double 970W *Not Included). Optional 700L Standard Height top drawer minus -\$100.00, but cannot have Double Cargo Shelf. | \$2,935.00 | \$3,235.00 |
| PS/PA-030410-099727-2LR | Easy Access Combo 2 & Wing Kit - Large Low Platform to Driver Side (Gap size 570W). Double Stacked Drawers (Standard Height Bottom Drawer O/A 900L x 400W x 275H, Trade Height Top Drawer O/A 700L x 400W x 365H). Total Combo O/A 900L x 970W x 640H. (Subframe included) (Suits all RV-FS listed below except SO *Not Included) (Suits Cargo Shelf Double 970W *Not Included). Optional 700L Standard Height top drawer minus -\$100.00, but cannot have Double Cargo Shelf. | \$2,935.00 | \$3,235.00 |
| PA-030410-859036-TC | Tourer Combo & Wing Kit - Low Platform to Passenger Side for Bushman 85L Upright Fridge (Gap size 510W). Triple Stacked Drawers Driver Side (Slimline Bottom Drawer I/D 780L x 300W x 59H Standard Height Middle Drawer I/D 780L x 300W x 190H, Trade Height Top Drawer I/D 630L x 300W x 270H). Total Combo O/A 850L x 900W x 731H. (Includes Cargo Shelf Double, Bushman 85L Upright Fridge, Drawer Lids in Slimline and Standard height drawers) | N/A | \$6,130.00 |
| RV-EAC-IFP-900 | Easy Access Combo INFILL PANEL - covers fridge slide cavity to create a flat solid top effect (NOTE: top drawer must be removed on EAC-2 systems) | \$164.00 | N/A |
| RV-CS-0748-00 | Cargo Shelf single - 700L Ventilated side panel and solid top shelf to fit FS-1 (small fridge space). Fits EAC-1 900L x 970W | \$520.00 | N/A |
| RV-CS-0757-00 | Cargo Shelf single - 700L Ventilated side panel and solid top shelf to fit FS-1.5 & 2 (large fridge space). Fits EAC-1 900L x 970W | \$520.00 | N/A |
| RV-CS-0797-00 | Cargo Shelf double - 700L Ventilated side panel and solid top shelf system to suit EAC-2 900L x 970W fitted with a Trade Height top drawer | \$567.00 | N/A |
| RV-IBFS-900-DS | Inbuilt Fridge Slide - flush fitting 900L (Driver Side) Premium drawers only - DRAWERS WILL BE 900W | \$413.00 | \$413.00 |
| RV-IBFS-900-PS | Inbuilt Fridge Slide - flush fitting 900L (Passenger Side) Premium drawers only - DRAWERS WILL BE 900W | \$413.00 | \$413.00 |
| PS/PA-RV-FS-1 | Heavy Duty Fridge Slide - 750L x 455W x 80H (external incl. Travel Lock) | \$472.00 | \$522.00 |
| RV-FS-1-SO | Heavy Duty Fridge Slide - 450L x 770W x 110H (external incl. Travel Lock) | \$472.00 | N/A |
| PS/PA-RV-FS-1.5 | Heavy Duty Fridge Slide - 750L x 530W x 80H (external incl. Travel Lock) | \$520.00 | \$570.00 |
| PS/PA-RV-FS-2 | Heavy Duty Fridge Slide - 850L x 560W x 80H (external incl. Travel Lock) **Not Available For Trade Height | \$567.00 | \$617.00 |
| RV-FS-2-SO | Heavy Duty Fridge Slide - 550L x 870W x 110H (external incl. Travel Lock) | \$567.00 | N/A |
| RV-030410-HCB | Rear Cargo Barrier - Half height for fitment to RV drawer system, ADR Compliant | \$685.00 | N/A |
| <p>Remove the jack. Access to the tyre winder is through the infill panel A cargo shelf or fridge enclosure cannot be installed if the fridge is on top of a slimline or travel slide drawer due to interference with the pelmet. Rear Cargo Barrier only available for Standard Height Tourer Combo available @850Lx900W - 510W Platform/390W Drawers Inbuilt Fridge Slide - Drawer Unit will be 900mm wide (450mm wide each drawer) to allow fridge slide lock to fit in fascia. N/A for trade height alloy drawers Travel Slide Drawer not available for Trade Height Travel Slide Drawers available on page 181</p> | | | |

| VEHICLE MAKE MODEL | FORD TERRITORY 5 Seater (2016+) - 900x970 | FORD | |
|--|---|------------|------------|
| TRADE HEIGHT DRAWERS +\$100 PER DRAWER | | | |
| PREMLBK: PREMIUM BLACK RRP +180.00 (option) | | | |
| PA: Premium Alloy PS: Premium Steel EL: EcoLite | DESCRIPTION (PRICES INCLUDE WING KIT UNLESS OTHERWISE STATED) | PS RRP | PA RRP |
| EL-030311-099727-TDS | EcoLite Twin Drawer & Wing Kit - Standard Height 900L x 970W x 275H (Subframe included) | \$2,010.00 | N/A |
| PA/PS-030311-099727-TDS | Twin Drawer & Wing Kit - Standard Height 900L x 970W x 275H (Subframe included) | \$2,705.00 | \$3,005.00 |
| PS/PA-030311-099727-FDC-E/D | Fridge Drawer Combo with 30L Engel/Dometic Fitkit - 900L x 970W x 300H (Subframe included) *Fridge not included Liftout Hatch provided to access space behind the fridge (100mm narrower if tie downs added to top) - 133L x 431W | \$2,735.00 | \$2,885.00 |
| PA-030311-099730-FDS-E/D | Engel/Dometic Fridge Drawer Stacker with Engel/Dometic Fitkit - 900L x 970W x 300H (Subframe included) *Fridge not included Liftout Hatch provided to access space behind the fridge (100mm narrower if tie downs added to top) - 133L x 431W | N/A | \$3,721.00 |
| PS/PA-030311-099727-1SL | Easy Access Combo 1 & Wing Kit - Small Low Platform to Passenger Side (Gap size 485W). Single Drawer O/A 900L x 485W x 275H. Total Combo O/A 900L x 970W x 275H. (Subframe included) (Suits RV-FS-1 *Not Included) (Suits Cargo Shelf Single 485W *Not Included) | \$2,245.00 | \$2,395.00 |
| PS/PA-030311-099727-1SR | Easy Access Combo 1 & Wing Kit - Small Low Platform to Driver Side (Gap size 485W). Single Drawer O/A 900L x 485W x 275H. Total Combo O/A 900L x 970W x 275H. (Subframe included) (Suits RV-FS-1 *Not Included) (Suits Cargo Shelf Single 485W *Not Included) | \$2,245.00 | \$2,395.00 |
| PS/PA-030311-099727-1LL | Easy Access Combo 1 & Wing Kit - Large Low Platform to Passenger Side (Gap size 570W). Single Drawer O/A 900L x 400W x 275H. Total Combo O/A 900L x 970W x 275H. (Subframe included) (Suits all RV-FS listed below except SO *Not Included) (Suits Cargo Shelf Single 570W *Not Included) | \$2,245.00 | \$2,395.00 |
| PS/PA-030311-099727-1LR | Easy Access Combo 1 & Wing Kit - Large Low Platform to Driver Side (Gap size 570W). Single Drawer O/A 900L x 400W x 275H. Total Combo O/A 900L x 970W x 275H. (Subframe included) (Suits all RV-FS listed below except SO *Not Included) (Suits Cargo Shelf Single 570W *Not Included) | \$2,245.00 | \$2,395.00 |
| PS/PA-030311-099727-2SL | Easy Access Combo 2 & Wing Kit - Small Low Platform to Passenger Side (Gap size 485W). Double Stacked Drawers (Standard Height Bottom Drawer O/A 900L x 485W x 275H, Trade Height Top Drawer O/A 700L x 485W x 365H). Total Combo O/A 900L x 970W x 640H. (Subframe included) (Suits RV-FS-1 *Not Included) (Suits Cargo Shelf Double 970W *Not Included). Optional 700L Standard Height top drawer minus -\$100.00, but cannot have Double Cargo Shelf. | \$2,935.00 | \$3,235.00 |
| PS/PA-030311-099727-2SR | Easy Access Combo 2 & Wing Kit - Small Low Platform to Driver Side (Gap size 485W). Double Stacked Drawers (Standard Height Bottom Drawer O/A 900L x 485W x 275H, Trade Height Top Drawer O/A 700L x 485W x 365H). Total Combo O/A 900L x 970W x 640H. (Subframe included) (Suits RV-FS-1 *Not Included) (Suits Cargo Shelf Double 970W *Not Included). Optional 700L Standard Height top drawer minus -\$100.00, but cannot have Double Cargo Shelf. | \$2,935.00 | \$3,235.00 |
| PS/PA-030311-099727-2LL | Easy Access Combo 2 & Wing Kit - Large Low Platform to Passenger Side (Gap size 570W). Double Stacked Drawers (Standard Height Bottom Drawer O/A 900L x 400W x 275H, Trade Height Top Drawer O/A 700L x 400W x 365H). Total Combo O/A 900L x 970W x 640H. (Subframe included) (Suits all RV-FS listed below except SO *Not Included) (Suits Cargo Shelf Double 970W *Not Included). Optional 700L Standard Height top drawer minus -\$100.00, but cannot have Double Cargo Shelf. | \$2,935.00 | \$3,235.00 |
| PS/PA-030311-099727-2LR | Easy Access Combo 2 & Wing Kit - Large Low Platform to Driver Side (Gap size 570W). Double Stacked Drawers (Standard Height Bottom Drawer O/A 900L x 400W x 275H, Trade Height Top Drawer O/A 700L x 400W x 365H). Total Combo O/A 900L x 970W x 640H. (Subframe included) (Suits all RV-FS listed below except SO *Not Included) (Suits Cargo Shelf Double 970W *Not Included). Optional 700L Standard Height top drawer minus -\$100.00, but cannot have Double Cargo Shelf. | \$2,935.00 | \$3,235.00 |
| RV-EAC-IFP-900 | Easy Access Combo INFILL PANEL - covers fridge slide cavity to create a flat solid top effect (NOTE: top drawer must be removed on EAC-2 systems) | \$164.00 | N/A |
| RV-CS-0748-00 | Cargo Shelf single - 700L Ventilated side panel and solid top shelf to fit FS-1 (small fridge space). Fits EAC-1 900L x 970W | \$520.00 | N/A |
| RV-CS-0757-00 | Cargo Shelf single - 700L Ventilated side panel and solid top shelf to fit FS-1.5 & 2 (large fridge space). Fits EAC-1 900L x 970W | \$520.00 | N/A |
| RV-CS-0797-00 | Cargo Shelf double - 700L Ventilated side panel and solid top shelf system to suit EAC-2 900L x 970W fitted with a Trade Height top drawer | \$567.00 | N/A |
| RV-IBFS-900-DS | Inbuilt Fridge Slide - flush fitting 900L (Driver Side) Premium drawers only | \$413.00 | \$413.00 |
| RV-IBFS-900-PS | Inbuilt Fridge Slide - flush fitting 900L (Passenger Side) Premium drawers only | \$413.00 | \$413.00 |
| PS/PA-RV-FS-1 | Heavy Duty Fridge Slide - 750L x 455W x 80H (external incl. Travel Lock) | \$472.00 | \$522.00 |
| RV-FS-1-SO | Heavy Duty Fridge Slide - 450L x 770W x 110H (external incl. Travel Lock) | \$472.00 | N/A |
| PS/PA-RV-FS-1.5 | Heavy Duty Fridge Slide - 750L x 530W x 80H (external incl. Travel Lock) | \$520.00 | \$570.00 |
| PS/PA-RV-FS-2 | Heavy Duty Fridge Slide - 850L x 560W x 80H (external incl. Travel Lock) | \$567.00 | \$617.00 |
| RV-FS-2-SO | Heavy Duty Fridge Slide - 550L x 870W x 110H (external incl. Travel Lock) | \$567.00 | N/A |
| RV-030311-HCB | Rear Cargo Barrier - Half height for fitment to RV drawer system, ADR Compliant | \$685.00 | N/A |
| No Trade Height Option Available EvaKool Fridge Drawer Combo not available Rear Cargo Barrier only available for Standard Height Travel Slide Drawers available on page 181 | | | |

| VEHICLE MAKE MODEL | GREAT WALL V SERIES Dual Cab V-200, V-240, SA220 - 1300x970 NO TUB LINER | GREAT WALL | | |
|---|--|---|------------|------------|
| TRADE HEIGHT DRAWERS +\$100 PER DRAWER | | | | |
| PREMBLK: PREMIUM BLACK RRP +180.00 (option) | | | | |
| PA: Premium Alloy PS: Premium Steel EL: EcoLite | | DESCRIPTION (PRICES INCLUDE WING KIT UNLESS OTHERWISE STATED) | PS RRP | PA RRP |
| PS/PA-080101-134827-SSL | Single Drawer & Wing Kit - Standard Height to Passenger Side 1300L x 485W x 275H | | \$1,460.00 | \$1,610.00 |
| PS/PA-080101-134827-SSR | Single Drawer & Wing Kit - Standard Height to Driver Side 1300L x 485W x 275H | | \$1,460.00 | \$1,610.00 |
| PS/PA-080101-134836-SHL | Single Drawer & Wing Kit - Trade Height to Passenger Side 1300L x 485W x 365H | | \$1,560.00 | \$1,710.00 |
| PS/PA-080101-134836-SHR | Single Drawer & Wing Kit - Trade Height to Driver Side 1300L x 485W x 365H | | \$1,560.00 | \$1,710.00 |
| EL-080101-139727-TDS | EcoLite Twin Drawer & Wing Kit - Standard Height 1300L x 970W x 275H | | \$2,020.00 | N/A |
| PS/PA-080101-139727-TDS | Twin Drawer & Wing Kit - Standard Height 1300L x 970W x 275H | | \$2,815.00 | \$3,115.00 |
| PS/PA-080101-139736-TDH | Twin Drawer & Wing Kit - Trade Height 1300L x 970W x 365H | | \$3,015.00 | \$3,315.00 |
| PS/PA-080101-139730-FDC-E/D | Fridge Drawer Combo with 30L Engel/Dometic Fitkit - 1300L x 970W x 300H **Fridge not included Liftout Hatch provided to access space behind the fridge (100mm narrower if tie downs added to top) - 483L x 431W | | \$2,635.00 | \$2,785.00 |
| PS/PA-080101-139736-FDC-EK | Fridge Drawer Combo with 40L EvaKool Fitkit - 1300L x 970W x 365H **Fridge not included Liftout Hatch provided to access space behind the fridge (100mm narrower if tie downs added to top) - 483L x 560W | | \$2,745.00 | \$2,895.00 |
| PS/PA-080101-139736-FDC-IM | Fridge Drawer Combo with 40L Ironman Fitkit - 1300L x 970W x 365H **Fridge not included Liftout Hatch provided to access space behind the fridge (100mm narrower if tie downs added to top) - 483L x 510W | | \$2,745.00 | \$2,895.00 |
| PS/PA-080101-139736-FDC-BM | Fridge Drawer Combo with 30L Bushman Fitkit - 1300L x 970W x 365H **Fridge not included Liftout Hatch provided to access space behind the fridge (100mm narrower if tie downs added to top) - 483L x 431W | | \$2,745.00 | \$2,895.00 |
| PS/PA-080101-139727-1SL | Easy Access Combo 1 & Wing Kit - Small Low Platform to Passenger Side (Gap size 485W). Single Drawer O/A 1300L x 485W x 275H. Total Combo O/A 1300L x 970W x 275H. (Suits RV-FS-1 *Not Included) | | \$2,355.00 | \$2,505.00 |
| PS/PA-080101-139727-1SR | Easy Access Combo 1 & Wing Kit - Small Low Platform to Driver Side (Gap size 485W). Single Drawer O/A 1300L x 485W x 275H. Total Combo O/A 1300L x 970W x 275H. (Suits RV-FS-1 *Not Included) | | \$2,355.00 | \$2,505.00 |
| PS/PA-080101-139727-1LL | Easy Access Combo 1 & Wing Kit - Large Low Platform to Passenger Side (Gap size 570W). Single Drawer O/A 1300L x 400W x 275H. Total Combo O/A 1300L x 970W x 275H. (Suits all RV-FS listed below except SO *Not Included) | | \$2,355.00 | \$2,505.00 |
| PS/PA-080101-139727-1LR | Easy Access Combo 1 & Wing Kit - Large Low Platform to Driver Side (Gap size 570W). Single Drawer O/A 1300L x 400W x 275H. Total Combo O/A 1300L x 970W x 275H. (Suits all RV-FS listed below except SO *Not Included) | | \$2,355.00 | \$2,505.00 |
| PS/PA-080101-139727-2SL | Easy Access Combo 2 & Wing Kit - Small Low Platform to Passenger Side (Gap size 485W). Double Stacked Drawers (Standard Height Bottom Drawer O/A 1300L x 485W x 275H, Trade Height Top Drawer O/A 1200L x 485W x 365H). Total Combo O/A 1300L x 970W x 640H. (Suits RV-FS-1 *Not Included). Optional 1200L Standard Height top drawer minus -\$100.00 | | \$3,045.00 | \$3,345.00 |
| PS/PA-080101-139727-2SR | Easy Access Combo 2 & Wing Kit - Small Low Platform to Driver Side (Gap size 485W). Double Stacked Drawers (Standard Height Bottom Drawer O/A 1300L x 485W x 275H, Trade Height Top Drawer O/A 1200L x 485W x 365H). Total Combo O/A 1300L x 970W x 640H. (Suits RV-FS-1 *Not Included). Optional 1200L Standard Height top drawer minus -\$100.00 | | \$3,045.00 | \$3,345.00 |
| PS/PA-080101-139727-2LL | Easy Access Combo 2 & Wing Kit - Large Low Platform to Passenger Side (Gap size 570W). Double Stacked Drawers (Standard Height Bottom Drawer O/A 1300L x 400W x 275H, Trade Height Top Drawer O/A 1200L x 400W x 365H). Total Combo O/A 1300L x 970W x 640H. (Suits all RV-FS listed below except SO *Not Included). Optional 1200L Standard Height top drawer minus -\$100.00 | | \$3,045.00 | \$3,345.00 |
| PS/PA-080101-139727-2LR | Easy Access Combo 2 & Wing Kit - Large Low Platform to Driver Side (Gap size 570W). Double Stacked Drawers (Standard Height Bottom Drawer O/A 1300L x 400W x 275H, Trade Height Top Drawer O/A 1200L x 400W x 365H). Total Combo O/A 1300L x 970W x 640H. (Suits all RV-FS listed below except SO *Not Included). Optional 1200L Standard Height top drawer minus -\$100.00 | | \$3,045.00 | \$3,345.00 |
| RV-EAC-IFP-1300 | Easy Access Combo INFILL PANEL - covers fridge slide cavity to create a flat solid top effect (NOTE: top drawer must be removed on EAC-2 systems) | | \$224.00 | N/A |
| RV-IBFS-1300-DS | Inbuilt Fridge Slide - flush fitting 1300L (Driver Side) Premium drawers only | | \$472.00 | N/A |
| RV-IBFS-1300-PS | Inbuilt Fridge Slide - flush fitting 1300L (Passenger Side) Premium drawers only | | \$472.00 | N/A |
| PS/PA-RV-FS-1 | Heavy Duty Fridge Slide - 750L x 455W x 80H (external incl. Travel Lock) | | \$472.00 | \$522.00 |
| PS-RV-FS-1-SO | Heavy Duty Fridge Slide - 450L x 770W x 110H (external incl. Travel Lock) | | \$472.00 | N/A |
| PS/PA-RV-FS-1.5 | Heavy Duty Fridge Slide - 750L x 530W x 80H (external incl. Travel Lock) | | \$520.00 | \$570.00 |
| PS/PA-RV-FS-2 | Heavy Duty Fridge Slide - 850L x 560W x 80H (external incl. Travel Lock) | | \$567.00 | \$617.00 |
| PS-RV-FS-2-SO | Heavy Duty Fridge Slide - 550L x 870W x 110H (external incl. Travel Lock) | | \$567.00 | N/A |
| PS/PA-RV-FS-2.25 | Heavy Duty Fridge Slide - 950L x 560W x 80H (external incl. Travel Lock) | | \$590.00 | \$640.00 |
| PS/PA-RV-FS-2.5 | Heavy Duty Fridge Slide - L1050 x W560 x 80H (external incl. Travel Lock) | | \$685.00 | \$735.00 |
| Travel Slide Drawers available on page 181 | | | | |
| Inbuilt Fridge Slides N/A for alloy drawers | | | | |

| VEHICLE MAKE MODEL | | HOLDEN | | |
|---|--|---|------------|------------|
| HOLDEN RODEO R9 Dual Cab DX, LT, LX (JUNE 1998 - 2002) - 1300x970 NO TUB LINER | | | | |
| PA: Premium Alloy PS: Premium Steel EL: EcoLite | | TRADE HEIGHT DRAWERS +\$100 PER DRAWER | | |
| | | PREMBLK: PREMIUM BLACK RRP +180.00 (option) | | |
| | | DESCRIPTION (PRICES INCLUDE WING KIT UNLESS OTHERWISE STATED) | PS RRP | PA RRP |
| PS/PA-040101-134827-SSL | Single Drawer & Wing Kit - Standard Height to Passenger Side 1300L x 485W x 275H | | \$1,460.00 | \$1,610.00 |
| PS/PA-040101-134827-SSR | Single Drawer & Wing Kit - Standard Height to Driver Side 1300L x 485W x 275H | | \$1,460.00 | \$1,610.00 |
| PS/PA-040101-134836-SHL | Single Drawer & Wing Kit - Trade Height to Passenger Side 1300L x 485W x 365H | | \$1,560.00 | \$1,710.00 |
| PS/PA-040101-134836-SHR | Single Drawer & Wing Kit - Trade Height to Driver Side 1300L x 485W x 365H | | \$1,560.00 | \$1,710.00 |
| EL-040101-139727-TDS | EcoLite Twin Drawer & Wing Kit - Standard Height 1300L x 970W x 275H | | \$2,020.00 | N/A |
| PS/PA-040101-139727-TDS | Twin Drawer & Wing Kit - Standard Height 1300L x 970W x 275H | | \$2,815.00 | \$3,115.00 |
| PS/PA-040101-139736-TDH | Twin Drawer & Wing Kit - Trade Height 1300L x 970W x 365H | | \$3,015.00 | \$3,315.00 |
| PS/PA-040101-139730-FDC-E/D | Fridge Drawer Combo with 30L Engel/Dometic Fitkit - 1300L x 970W x 300H **Fridge not included Liftout Hatch provided to access space behind the fridge (100mm narrower if tie downs added to top) - 483L x 431W | | \$2,635.00 | \$2,785.00 |
| PS/PA-040101-139736-FDC-EK | Fridge Drawer Combo with 40L EvaKool Fitkit - 1300L x 970W x 365H **Fridge not included Liftout Hatch provided to access space behind the fridge (100mm narrower if tie downs added to top) - 483L x 560W | | \$2,745.00 | \$2,895.00 |
| PS/PA-040101-139736-FDC-IM | Fridge Drawer Combo with 40L Ironman Fitkit - 1300L x 970W x 365H **Fridge not included Liftout Hatch provided to access space behind the fridge (100mm narrower if tie downs added to top) - 483L x 510W | | \$2,745.00 | \$2,895.00 |
| PS/PA-040101-139736-FDC-BM | Fridge Drawer Combo with 30L Bushman Fitkit - 1300L x 970W x 365H **Fridge not included Liftout Hatch provided to access space behind the fridge (100mm narrower if tie downs added to top) - 483L x 431W | | \$2,745.00 | \$2,895.00 |
| PS/PA-040101-139727-1SL | Easy Access Combo 1 & Wing Kit - Small Low Platform to Passenger Side (Gap size 485W). Single Drawer O/A 1300L x 485W x 275H. Total Combo O/A 1300L x 970W x 275H. (Suits RV-FS-1 *Not Included) | | \$2,355.00 | \$2,505.00 |
| PS/PA-040101-139727-1SR | Easy Access Combo 1 & Wing Kit - Small Low Platform to Driver Side (Gap size 485W). Single Drawer O/A 1300L x 485W x 275H. Total Combo O/A 1300L x 970W x 275H. (Suits RV-FS-1 *Not Included) | | \$2,355.00 | \$2,505.00 |
| PS/PA-040101-139727-1LL | Easy Access Combo 1 & Wing Kit - Large Low Platform to Passenger Side (Gap size 570W). Single Drawer O/A 1300L x 400W x 275H. Total Combo O/A 1300L x 970W x 275H. (Suits all RV-FS listed below except SO *Not Included) | | \$2,355.00 | \$2,505.00 |
| PS/PA-040101-139727-1LR | Easy Access Combo 1 & Wing Kit - Large Low Platform to Driver Side (Gap size 570W). Single Drawer O/A 1300L x 400W x 275H. Total Combo O/A 1300L x 970W x 275H. (Suits all RV-FS listed below except SO *Not Included) | | \$2,355.00 | \$2,505.00 |
| PS/PA-040101-139727-2SL | Easy Access Combo 2 & Wing Kit - Small Low Platform to Passenger Side (Gap size 485W). Double Stacked Drawers (Standard Height Bottom Drawer O/A 1300L x 485W x 275H, Trade Height Top Drawer O/A 1000L x 485W x 365H). Total Combo O/A 1300L x 970W x 640H. (Suits RV-FS-1 *Not Included). Optional 1000L Standard Height top drawer minus -\$100.00 | | \$3,045.00 | \$3,345.00 |
| PS/PA-040101-139727-2SR | Easy Access Combo 2 & Wing Kit - Small Low Platform to Driver Side (Gap size 485W). Double Stacked Drawers (Standard Height Bottom Drawer O/A 1300L x 485W x 275H, Trade Height Top Drawer O/A 1000L x 485W x 365H). Total Combo O/A 1300L x 970W x 640H. (Suits RV-FS-1 *Not Included). Optional 1000L Standard Height top drawer minus -\$100.00 | | \$3,045.00 | \$3,345.00 |
| PS/PA-040101-139727-2LL | Easy Access Combo 2 & Wing Kit - Large Low Platform to Passenger Side (Gap size 570W). Double Stacked Drawers (Standard Height Bottom Drawer O/A 1300L x 400W x 275H, Trade Height Top Drawer O/A 1000L x 400W x 365H). Total Combo O/A 1300L x 970W x 640H. (Suits all RV-FS listed below except SO *Not Included). Optional 1000L Standard Height top drawer minus -\$100.00 | | \$3,045.00 | \$3,345.00 |
| PS/PA-040101-139727-2LR | Easy Access Combo 2 & Wing Kit - Large Low Platform to Driver Side (Gap size 570W). Double Stacked Drawers (Standard Height Bottom Drawer O/A 1300L x 400W x 275H, Trade Height Top Drawer O/A 1000L x 400W x 365H). Total Combo O/A 1300L x 970W x 640H. (Suits all RV-FS listed below except SO *Not Included). Optional 1000L Standard Height top drawer minus -\$100.00 | | \$3,045.00 | \$3,345.00 |
| RV-EAC-IFP-1300 | Easy Access Combo INFILL PANEL - covers fridge slide cavity to create a flat solid top effect (NOTE: top drawer must be removed on EAC-2 systems) | | \$224.00 | N/A |
| RV-CS-0848-00 | Cargo Shelf single - 800L Ventilated side panel and solid top shelf to fit FS-1 (small fridge space) Suits EAC-1 1300L x 970W | | \$520.00 | N/A |
| RV-CS-0857-00 | Cargo Shelf single - 800L Ventilated side panel and solid top shelf to fit FS-1.5 & FS-2 (large fridge space) Suits EAC-1 1300L x 970W | | \$520.00 | N/A |
| RV-CS-0897-00 | Cargo Shelf double - 800L Ventilated side panel and solid top shelf system. Fits EAC-2 1300L x 970W fitted with a Trade Height top drawer | | \$567.00 | N/A |
| RV-IBFS-1300-DS | Inbuilt Fridge Slide - flush fitting 1300L (Driver Side) Premium drawers only | | \$472.00 | N/A |
| RV-IBFS-1300-PS | Inbuilt Fridge Slide - flush fitting 1300L (Passenger Side) Premium drawers only | | \$472.00 | N/A |
| PS/PA-RV-FS-1 | Heavy Duty Fridge Slide - 750L x 455W x 80H (external incl. Travel Lock) | | \$472.00 | \$522.00 |
| PS-RV-FS-1-SO | Heavy Duty Fridge Slide - 450L x 770W x 110H (external incl. Travel Lock) | | \$472.00 | N/A |
| PS/PA-RV-FS-1.5 | Heavy Duty Fridge Slide - 750L x 530W x 80H (external incl. Travel Lock) | | \$520.00 | \$570.00 |
| PS/PA-RV-FS-2 | Heavy Duty Fridge Slide - 850L x 560W x 80H (external incl. Travel Lock) | | \$567.00 | \$617.00 |
| PS-RV-FS-2-SO | Heavy Duty Fridge Slide - 550L x 870W x 110H (external incl. Travel Lock) | | \$567.00 | N/A |
| PS/PA-RV-FS-2.25 | Heavy Duty Fridge Slide - 950L x 560W x 80H (external incl. Travel Lock) | | \$590.00 | \$640.00 |
| PS/PA-RV-FS-2.5 | Heavy Duty Fridge Slide - 1050L x 560W x 80H (external incl. Travel Lock) | | \$685.00 | \$735.00 |

Travel Slide Drawers available on page 181
Inbuilt Fridge Slides N/A for alloy drawers

| VEHICLE MAKE MODEL | HOLDEN RODEO RA Dual Cab DX, LT, LX, LTZ (2003-2008) - 1300x970 NO TUB LINER | HOLDEN | |
|---|---|------------|------------|
| TRADE HEIGHT DRAWERS +\$100 PER DRAWER | | | |
| PREMBLK: PREMIUM BLACK RRP +180.00 (option) | | | |
| PA: Premium Alloy PS: Premium Steel EL: EcoLite | DESCRIPTION (PRICES INCLUDE WING KIT UNLESS OTHERWISE STATED) | PS RRP | PA RRP |
| PS/PA-040201-134827-SSL | Single Drawer & Wing Kit - Standard Height to Passenger Side 1300L x 485W x 275H | \$1,460.00 | \$1,610.00 |
| PS/PA-040201-134827-SSR | Single Drawer & Wing Kit - Standard Height to Driver Side 1300L x 485W x 275H | \$1,460.00 | \$1,610.00 |
| PS/PA-040201-134836-SHL | Single Drawer & Wing Kit - Trade Height to Passenger Side 1300L x 485W x 365H | \$1,560.00 | \$1,710.00 |
| PS/PA-040201-134836-SHR | Single Drawer & Wing Kit - Trade Height to Driver Side 1300L x 485W x 365H | \$1,560.00 | \$1,710.00 |
| EL-040201-139727-TDS | EcoLite Twin Drawer & Wing Kit - Standard Height 1300L x 970W x 275H | \$2,020.00 | N/A |
| PS/PA-040201-139727-TDS | Twin Drawer & Wing Kit - Standard Height 1300L x 970W x 275H | \$2,815.00 | \$3,115.00 |
| PS/PA-040201-139736-TDH | Twin Drawer & Wing Kit - Trade Height 1300L x 970W x 365H | \$3,015.00 | \$3,315.00 |
| PS/PA-040201-139730-FDC-E/D | Fridge Drawer Combo with 30L Engel/Dometic Fitkit - 1300L x 970W x 300H **Fridge not included Liftout Hatch provided to access space behind the fridge (100mm narrower if tie downs added to top) - 483L x 431W | \$2,635.00 | \$2,785.00 |
| PS/PA-040201-139736-FDC-EK | Fridge Drawer Combo with 40L EvaKool Fitkit - 1300L x 970W x 365H **Fridge not included Liftout Hatch provided to access space behind the fridge (100mm narrower if tie downs added to top) - 483L x 560W | \$2,745.00 | \$2,895.00 |
| PS/PA-040201-139736-FDC-IM | Fridge Drawer Combo with 40L Ironman Fitkit - 1300L x 970W x 365H **Fridge not included Liftout Hatch provided to access space behind the fridge (100mm narrower if tie downs added to top) - 483L x 510W | \$2,745.00 | \$2,895.00 |
| PS/PA-040201-139736-FDC-BM | Fridge Drawer Combo with 30L Bushman Fitkit - 1300L x 970W x 365H **Fridge not included Liftout Hatch provided to access space behind the fridge (100mm narrower if tie downs added to top) - 483L x 431W | \$2,745.00 | \$2,895.00 |
| PS/PA-040201-139727-1SL | Easy Access Combo 1 & Wing Kit - Small Low Platform to Passenger Side (Gap size 485W). Single Drawer O/A 1300L x 485W x 275H. Total Combo O/A 1300L x 970W x 275H. (Suits RV-FS-1 *Not Included) | \$2,355.00 | \$2,505.00 |
| PS/PA-040201-139727-1SR | Easy Access Combo 1 & Wing Kit - Small Low Platform to Driver Side (Gap size 485W). Single Drawer O/A 1300L x 485W x 275H. Total Combo O/A 1300L x 970W x 275H. (Suits RV-FS-1 *Not Included) | \$2,355.00 | \$2,505.00 |
| PS/PA-040201-139727-1LL | Easy Access Combo 1 & Wing Kit - Large Low Platform to Passenger Side (Gap size 570W). Single Drawer O/A 1300L x 400W x 275H. Total Combo O/A 1300L x 970W x 275H. (Suits all RV-FS listed below except SO *Not Included) | \$2,355.00 | \$2,505.00 |
| PS/PA-040201-139727-1LR | Easy Access Combo 1 & Wing Kit - Large Low Platform to Driver Side (Gap size 570W). Single Drawer O/A 1300L x 400W x 275H. Total Combo O/A 1300L x 970W x 275H. (Suits all RV-FS listed below except SO *Not Included) | \$2,355.00 | \$2,505.00 |
| PS/PA-040201-139727-2SL | Easy Access Combo 2 & Wing Kit - Small Low Platform to Passenger Side (Gap size 485W). Double Stacked Drawers (Standard Height Bottom Drawer O/A 1300L x 485W x 275H, Trade Height Top Drawer O/A 1000L x 485W x 365H). Total Combo O/A 1300L x 970W x 640H. (Suits RV-FS-1 *Not Included). Optional 1000L Standard Height top drawer minus -\$100.00 | \$3,045.00 | \$3,345.00 |
| PS/PA-040201-139727-2SR | Easy Access Combo 2 & Wing Kit - Small Low Platform to Driver Side (Gap size 485W). Double Stacked Drawers (Standard Height Bottom Drawer O/A 1300L x 485W x 275H, Trade Height Top Drawer O/A 1000L x 485W x 365H). Total Combo O/A 1300L x 970W x 640H. (Suits RV-FS-1 *Not Included). Optional 1000L Standard Height top drawer minus -\$100.00 | \$3,045.00 | \$3,345.00 |
| PS/PA-040201-139727-2LL | Easy Access Combo 2 & Wing Kit - Large Low Platform to Passenger Side (Gap size 570W). Double Stacked Drawers (Standard Height Bottom Drawer O/A 1300L x 400W x 275H, Trade Height Top Drawer O/A 1000L x 400W x 365H). Total Combo O/A 1300L x 970W x 640H. (Suits all RV-FS listed below except SO *Not Included). Optional 1000L Standard Height top drawer minus -\$100.00 | \$3,045.00 | \$3,345.00 |
| PS/PA-040201-139727-2LR | Easy Access Combo 2 & Wing Kit - Large Low Platform to Driver Side (Gap size 570W). Double Stacked Drawers (Standard Height Bottom Drawer O/A 1300L x 400W x 275H, Trade Height Top Drawer O/A 1000L x 400W x 365H). Total Combo O/A 1300L x 970W x 640H. (Suits all RV-FS listed below except SO *Not Included). Optional 1000L Standard Height top drawer minus -\$100.00 | \$3,045.00 | \$3,345.00 |
| RV-EAC-IFP-1300 | Easy Access Combo INFILL PANEL - covers fridge slide cavity to create a flat solid top effect (NOTE: top drawer must be removed on EAC-2 systems) | \$224.00 | N/A |
| RV-CS-0848-00 | Cargo Shelf single - 800L Ventilated side panel and solid top shelf to fit FS-1 (small fridge space) Suits EAC-1 1300L x 970W | \$520.00 | N/A |
| RV-CS-0857-00 | Cargo Shelf single - 800L Ventilated side panel and solid top shelf to fit FS-1.5 & FS-2 (large fridge space) Suits EAC-1 1300L x 970W | \$520.00 | N/A |
| RV-CS-0897-00 | Cargo Shelf double - 800L Ventilated side panel and solid top shelf system. Fits EAC-2 1300L x 970W fitted with a Trade Height top drawer | \$567.00 | N/A |
| RV-IBFS-1300-DS | Inbuilt Fridge Slide - flush fitting 1300L (Driver Side) Premium drawers only | \$472.00 | N/A |
| RV-IBFS-1300-PS | Inbuilt Fridge Slide - flush fitting 1300L (Passenger Side) Premium drawers only | \$472.00 | N/A |
| PS/PA-RV-FS-1 | Heavy Duty Fridge Slide - 750L x 455W x 80H (external incl. Travel Lock) | \$472.00 | \$522.00 |
| PS-RV-FS-1-SO | Heavy Duty Fridge Slide - 450L x 770W x 110H (external incl. Travel Lock) | \$472.00 | N/A |
| PS/PA-RV-FS-1.5 | Heavy Duty Fridge Slide - 750L x 530W x 80H (external incl. Travel Lock) | \$520.00 | \$570.00 |
| PS/PA-RV-FS-2 | Heavy Duty Fridge Slide - 850L x 560W x 80H (external incl. Travel Lock) | \$567.00 | \$617.00 |
| PS-RV-FS-2-SO | Heavy Duty Fridge Slide - 550L x 870W x 110H (external incl. Travel Lock) | \$567.00 | N/A |
| PS/PA-RV-FS-2.25 | Heavy Duty Fridge Slide - 950L x 560W x 80H (external incl. Travel Lock) | \$590.00 | \$640.00 |
| PS/PA-RV-FS-2.5 | Heavy Duty Fridge Slide - 1050L x 560W x 80H (external incl. Travel Lock) | \$685.00 | \$735.00 |

Travel Slide Drawers available on page 181
Inbuilt Fridge Slides N/A for alloy drawers

| VEHICLE MAKE MODEL | | HOLDEN | | |
|--|---|--|---------------|---------------|
| HOLDEN COLORADO RC Dual Cab DX, LX, LT-R (2008-2012) - 1300x970 NO TUB LINER | | | | |
| PA: Premium Alloy PS: Premium Steel EL: EcoLite | | TRADE HEIGHT DRAWERS +\$100 PER DRAWER | | |
| | | PREMBLK: PREMIUM BLACK RRP +180.00 (option) | | |
| | | DESCRIPTION (PRICES INCLUDE WING KIT UNLESS OTHERWISE STATED) | PS RRP | PA RRP |
| PS/PA-040301-134827-SSL | Single Drawer & Wing Kit - Standard Height to Passenger Side 1300L x 485W x 275H | | \$1,460.00 | \$1,610.00 |
| PS/PA-040301-134827-SSR | Single Drawer & Wing Kit - Standard Height to Driver Side 1300L x 485W x 275H | | \$1,460.00 | \$1,610.00 |
| PS/PA-040301-134836-SHL | Single Drawer & Wing Kit - Trade Height to Passenger Side 1300L x 485W x 365H | | \$1,560.00 | \$1,710.00 |
| PS/PA-040301-134836-SHR | Single Drawer & Wing Kit - Trade Height to Driver Side 1300L x 485W x 365H | | \$1,560.00 | \$1,710.00 |
| EL-040301-139727-TDS | EcoLite Twin Drawer & Wing Kit - Standard Height 1300L x 970W x 275H | | \$2,020.00 | N/A |
| PS/PA-040301-139727-TDS | Twin Drawer & Wing Kit - Standard Height 1300L x 970W x 275H | | \$2,815.00 | \$3,115.00 |
| PS/PA-040301-139736-TDH | Twin Drawer & Wing Kit - Trade Height 1300L x 970W x 365H | | \$3,015.00 | \$3,315.00 |
| PS/PA-040301-139730-FDC-E/D | Fridge Drawer Combo with 30L Engel/Dometic Fitkit - 1300L x 970W x 300H **Fridge not included Liftout Hatch provided to access space behind the fridge (100mm narrower if tie downs added to top) - 483L x 431W | | \$2,635.00 | \$2,785.00 |
| PS/PA-040301-139736-FDC-EK | Fridge Drawer Combo with 40L EvaKool Fitkit - 1300L x 970W x 365H **Fridge not included Liftout Hatch provided to access space behind the fridge (100mm narrower if tie downs added to top) - 483L x 560W | | \$2,745.00 | \$2,895.00 |
| PS/PA-040301-139736-FDC-IM | Fridge Drawer Combo with 40L Ironman Fitkit - 1300L x 970W x 365H **Fridge not included Liftout Hatch provided to access space behind the fridge (100mm narrower if tie downs added to top) - 483L x 510W | | \$2,745.00 | \$2,895.00 |
| PS/PA-040301-139736-FDC-BM | Fridge Drawer Combo with 30L Bushman Fitkit - 1300L x 970W x 365H **Fridge not included Liftout Hatch provided to access space behind the fridge (100mm narrower if tie downs added to top) - 483L x 431W | | \$2,745.00 | \$2,895.00 |
| PS/PA-040301-139727-1SL | Easy Access Combo 1 & Wing Kit - Small Low Platform to Passenger Side (Gap size 485W). Single Drawer O/A 1300L x 485W x 275H. Total Combo O/A 1300L x 970W x 275H. (Suits RV-FS-1 *Not Included) | | \$2,355.00 | \$2,505.00 |
| PS/PA-040301-139727-1SR | Easy Access Combo 1 & Wing Kit - Small Low Platform to Driver Side (Gap size 485W). Single Drawer O/A 1300L x 485W x 275H. Total Combo O/A 1300L x 970W x 275H. (Suits RV-FS-1 *Not Included) | | \$2,355.00 | \$2,505.00 |
| PS/PA-040301-139727-1LL | Easy Access Combo 1 & Wing Kit - Large Low Platform to Passenger Side (Gap size 570W). Single Drawer O/A 1300L x 400W x 275H. Total Combo O/A 1300L x 970W x 275H. (Suits all RV-FS listed below except SO *Not Included) | | \$2,355.00 | \$2,505.00 |
| PS/PA-040301-139727-1LR | Easy Access Combo 1 & Wing Kit - Large Low Platform to Driver Side (Gap size 570W). Single Drawer O/A 1300L x 400W x 275H. Total Combo O/A 1300L x 970W x 275H. (Suits all RV-FS listed below except SO *Not Included) | | \$2,355.00 | \$2,505.00 |
| PS/PA-040301-139727-2SL | Easy Access Combo 2 & Wing Kit - Small Low Platform to Passenger Side (Gap size 485W). Double Stacked Drawers (Standard Height Bottom Drawer O/A 1300L x 485W x 275H, Trade Height Top Drawer O/A 1000L x 485W x 365H). Total Combo O/A 1300L x 970W x 640H. (Suits RV-FS-1 *Not Included). Optional 1000L Standard Height top drawer minus -\$100.00 | | \$3,045.00 | \$3,345.00 |
| PS/PA-040301-139727-2SR | Easy Access Combo 2 & Wing Kit - Small Low Platform to Driver Side (Gap size 485W). Double Stacked Drawers (Standard Height Bottom Drawer O/A 1300L x 485W x 275H, Trade Height Top Drawer O/A 1000L x 485W x 365H). Total Combo O/A 1300L x 970W x 640H. (Suits RV-FS-1 *Not Included). Optional 1000L Standard Height top drawer minus -\$100.00 | | \$3,045.00 | \$3,345.00 |
| PS/PA-040301-139727-2LL | Easy Access Combo 2 & Wing Kit - Large Low Platform to Passenger Side (Gap size 570W). Double Stacked Drawers (Standard Height Bottom Drawer O/A 1300L x 400W x 275H, Trade Height Top Drawer O/A 1000L x 400W x 365H). Total Combo O/A 1300L x 970W x 640H. (Suits all RV-FS listed below except SO *Not Included). Optional 1000L Standard Height top drawer minus -\$100.00 | | \$3,045.00 | \$3,345.00 |
| PS/PA-040301-139727-2LR | Easy Access Combo 2 & Wing Kit - Large Low Platform to Driver Side (Gap size 570W). Double Stacked Drawers (Standard Height Bottom Drawer O/A 1300L x 400W x 275H, Trade Height Top Drawer O/A 1000L x 400W x 365H). Total Combo O/A 1300L x 970W x 640H. (Suits all RV-FS listed below except SO *Not Included). Optional 1000L Standard Height top drawer minus -\$100.00 | | \$3,045.00 | \$3,345.00 |
| RV-EAC-IFP-1300 | Easy Access Combo INFILL PANEL - covers fridge slide cavity to create a flat solid top effect (NOTE: top drawer must be removed on EAC-2 systems) | | \$224.00 | N/A |
| RV-CS-0848-00 | Cargo Shelf single - 800L Ventilated side panel and solid top shelf to fit FS-1 (small fridge space) Suits EAC-1 1300L x 970W | | \$520.00 | N/A |
| RV-CS-0857-00 | Cargo Shelf single - 800L Ventilated side panel and solid top shelf to fit FS-1.5 & FS-2 (large fridge space) Suits EAC-1 1300L x 970W | | \$520.00 | N/A |
| RV-CS-0897-00 | Cargo Shelf double - 800L Ventilated side panel and solid top shelf system. Fits EAC-2 1300L x 970W fitted with a Trade Height top drawer | | \$567.00 | N/A |
| RV-IBFS-1300-DS | Inbuilt Fridge Slide - flush fitting 1300L (Driver Side) Premium drawers only | | \$472.00 | N/A |
| RV-IBFS-1300-PS | Inbuilt Fridge Slide - flush fitting 1300L (Passenger Side) Premium drawers only | | \$472.00 | N/A |
| PS/PA-RV-FS-1 | Heavy Duty Fridge Slide - 750L x 455W x 80H (external incl. Travel Lock) | | \$472.00 | \$522.00 |
| PS-RV-FS-1-SO | Heavy Duty Fridge Slide - 450L x 770W x 110H (external incl. Travel Lock) | | \$472.00 | N/A |
| PS/PA-RV-FS-1.5 | Heavy Duty Fridge Slide - 750L x 530W x 80H (external incl. Travel Lock) | | \$520.00 | \$570.00 |
| PS/PA-RV-FS-2 | Heavy Duty Fridge Slide - 850L x 560W x 80H (external incl. Travel Lock) | | \$567.00 | \$617.00 |
| PS-RV-FS-2-SO | Heavy Duty Fridge Slide - 550L x 870W x 110H (external incl. Travel Lock) | | \$567.00 | N/A |
| PS/PA-RV-FS-2.25 | Heavy Duty Fridge Slide - 950L x 560W x 80H (external incl. Travel Lock) | | \$590.00 | \$640.00 |
| PS/PA-RV-FS-2.5 | Heavy Duty Fridge Slide - 1050L x 560W x 80H (external incl. Travel Lock) | | \$685.00 | \$735.00 |

Travel Slide Drawers available on page 181
Inbuilt Fridge Slides N/A for alloy drawers

| VEHICLE MAKE MODEL | | HOLDEN | | |
|--|--|---|------------|------------|
| HOLDEN COLORADO RG Dual Cab LX, LT, LT-Z (JUNE 2012+) - 1400x1020 NO TUB LINER | | | | |
| PA: Premium Alloy PS: Premium Steel EL: EcoLite | | TRADE HEIGHT DRAWERS +\$100 PER DRAWER | | |
| | | PREMBLK: PREMIUM BLACK RRP +180.00 (option) | | |
| | | DESCRIPTION (PRICES INCLUDE WING KIT UNLESS OTHERWISE STATED) | PS RRP | PA RRP |
| PS/PA-040302-145127-SSL | Single Drawer & Wing Kit - Standard Height to Passenger Side 1400L x 510W x 275H | | \$1,485.00 | \$1,635.00 |
| PS/PA-040302-145127-SSR | Single Drawer & Wing Kit - Standard Height to Driver Side 1400L x 510W x 275H | | \$1,485.00 | \$1,635.00 |
| PS/PA-040302-145136-SHL | Single Drawer & Wing Kit - Trade Height to Passenger Side 1400L x 510W x 365H | | \$1,585.00 | \$1,735.00 |
| PS/PA-040302-145136-SHR | Single Drawer & Wing Kit - Trade Height to Driver Side 1400L x 510W x 365H | | \$1,585.00 | \$1,735.00 |
| EL-040302-141227-TDS | EcoLite Twin Drawer & Wing Kit - Standard Height 1400L x 1020W x 275H | | \$2,080.00 | N/A |
| PS/PA-040302-141227-TDS | Twin Drawer & Wing Kit - Standard Height 1400L x 1020W x 275H | | \$2,870.00 | \$3,170.00 |
| PS/PA-040302-141236-TDH | Twin Drawer & Wing Kit - Trade Height 1400L x 1020W x 365H | | \$3,070.00 | \$3,370.00 |
| PS/PA-040302-141230-FDC-E/D | Fridge Drawer Combo with 30L Engel/Dometic Fitkit - 1400L x 1020W x 300H **Fridge not included Liftout Hatch provided to access space behind the fridge (100mm narrower if tie downs added to top) - 583L x 431W | | \$2,690.00 | \$2,840.00 |
| PS/PA-040302-141236-FDC-EK | Fridge Drawer Combo with 40L EvaKool Fitkit - 1400L x 1020W x 365H **Fridge not included Liftout Hatch provided to access space behind the fridge (100mm narrower if tie downs added to top) - 583L x 560W | | \$2,800.00 | \$2,950.00 |
| PS/PA-040302-141236-FDC-IM | Fridge Drawer Combo with 40L Ironman Fitkit - 1400L x 1020W x 365H **Fridge not included Liftout Hatch provided to access space behind the fridge (100mm narrower if tie downs added to top) - 583L x 510W | | \$2,800.00 | \$2,950.00 |
| PS/PA-040302-141236-FDC-BM | Fridge Drawer Combo with 30L Bushman Fitkit - 1400L x 1020W x 365H **Fridge not included Liftout Hatch provided to access space behind the fridge (100mm narrower if tie downs added to top) - 583L x 431W | | \$2,800.00 | \$2,950.00 |
| PS/PA-040302-141227-1SL | Easy Access Combo 1 & Wing Kit - Small Low Platform to Passenger Side (Gap size 510W). Single Drawer O/A 1400L x 510W x 275H. Total Combo O/A 1400L x 1020W x 275H. (Suits RV-FS-1 or 3 *Not Included) | | \$2,410.00 | \$2,560.00 |
| PS/PA-040302-141227-1SR | Easy Access Combo 1 & Wing Kit - Small Low Platform to Driver Side (Gap size 510W). Single Drawer O/A 1400L x 510W x 275H. Total Combo O/A 1400L x 1020W x 275H. (Suits RV-FS-1 or 3 *Not Included) | | \$2,410.00 | \$2,560.00 |
| PS/PA-040302-141227-1LL | Easy Access Combo 1 & Wing Kit - Large Low Platform to Passenger Side (Gap size 570W). Single Drawer O/A 1400L x 450W x 275H. Total Combo O/A 1400L x 1020W x 275H. (Suits all RV-FS listed below except SO *Not Included) | | \$2,410.00 | \$2,560.00 |
| PS/PA-040302-141227-1LR | Easy Access Combo 1 & Wing Kit - Large Low Platform to Driver Side (Gap size 570W). Single Drawer O/A 1400L x 450W x 275H. Total Combo O/A 1400L x 1020W x 275H. (Suits all RV-FS listed below except SO *Not Included) | | \$2,410.00 | \$2,560.00 |
| PS/PA-040302-141227-2SL | Easy Access Combo 2 & Wing Kit - Small Low Platform to Passenger Side (Gap size 510W). Double Stacked Drawers (Standard Height Bottom Drawer O/A 1400L x 510W x 275H, Trade Height Top Drawer O/A 1100L x 510W x 365H). Total Combo O/A 1400L x 1020W x 640H. (Suits RV-FS-1 or 3 *Not Included). Optional 1100L Standard Height top drawer minus -\$100.00 | | \$3,100.00 | \$3,400.00 |
| PS/PA-040302-141227-2SR | Easy Access Combo 2 & Wing Kit - Small Low Platform to Driver Side (Gap size 510W). Double Stacked Drawers (Standard Height Bottom Drawer O/A 1400L x 510W x 275H, Trade Height Top Drawer O/A 1100L x 510W x 365H). Total Combo O/A 1400L x 1020W x 640H. (Suits RV-FS-1 or 3 *Not Included). Optional 1100L Standard Height top drawer minus -\$100.00 | | \$3,100.00 | \$3,400.00 |
| PS/PA-040302-141227-2LL | Easy Access Combo 2 & Wing Kit - Large Low Platform to Passenger Side (Gap size 570W). Double Stacked Drawers (Standard Height Bottom Drawer O/A 1400L x 450W x 275H, Trade Height Top Drawer O/A 1100L x 450W x 365H). Total Combo O/A 1400L x 1020W x 640H. (Suits all RV-FS listed below except SO *Not Included). Optional 1100L Standard Height top drawer minus -\$100.00 | | \$3,100.00 | \$3,400.00 |
| PS/PA-040302-141227-2LR | Easy Access Combo 2 & Wing Kit - Large Low Platform to Driver Side (Gap size 570W). Double Stacked Drawers (Standard Height Bottom Drawer O/A 1400L x 450W x 275H, Trade Height Top Drawer O/A 1100L x 450W x 365H). Total Combo O/A 1400L x 1020W x 640H. (Suits all RV-FS listed below except SO *Not Included). Optional 1100L Standard Height top drawer minus -\$100.00 | | \$3,100.00 | \$3,400.00 |
| RV-EAC-IFP-1400 | Easy Access Combo INFILL PANEL - covers fridge slide cavity to create a flat solid top effect (NOTE: top drawer must be removed on EAC-2 systems) | | \$224.00 | N/A |
| RV-CS-1451-00 | Cargo Shelf single - 1400L Ventilated side panel and solid top shelf to fit FS-1 (small fridge space) Suits EAC-1 1400L x 1020W | | \$803.00 | N/A |
| RV-CS-1457-00 | Cargo Shelf single - 1400L Ventilated side panel and solid top shelf to fit FS1.5 & FS-2 (large fridge space) Suits EAC-1 1400L x 1020W | | \$803.00 | N/A |
| RV-CS-0812-00 | Cargo Shelf double - 800L Ventilated side panel and solid top shelf system. Fits EAC-2 1400L x 1020W fitted with a Trade Height top drawer | | \$567.00 | N/A |
| RV-IBFS-1300-DS | Inbuilt Fridge Slide - flush fitting 1300L (Driver Side) <i>Premium drawers only</i> | | \$472.00 | N/A |
| RV-IBFS-1300-PS | Inbuilt Fridge Slide - flush fitting 1300L (Passenger Side) <i>Premium drawers only</i> | | \$472.00 | N/A |
| PS/PA-RV-FS-1 | Heavy Duty Fridge Slide - 750L x 455W x 80H (external incl. Travel Lock) | | \$472.00 | \$522.00 |
| PS-RV-FS-1-SO | Heavy Duty Fridge Slide - 450L x 770W x 110H (external incl. Travel Lock) | | \$472.00 | N/A |
| PS/PA-RV-FS-1.5 | Heavy Duty Fridge Slide - 750L x 530W x 80H (external incl. Travel Lock) | | \$520.00 | \$570.00 |
| PS/PA-RV-FS-2 | Heavy Duty Fridge Slide - 850L x 560W x 80H (external incl. Travel Lock) | | \$567.00 | \$617.00 |
| PS-RV-FS-2-SO | Heavy Duty Fridge Slide - 550L x 870W x 110H (external incl. Travel Lock) | | \$567.00 | N/A |
| PS/PA-RV-FS-2.25 | Heavy Duty Fridge Slide - 950L x 560W x 80H (external incl. Travel Lock) | | \$590.00 | \$640.00 |
| PS/PA-RV-FS-2.5 | Heavy Duty Fridge Slide - 1050L x 560W x 80H (external incl. Travel Lock) | | \$685.00 | \$735.00 |
| PS/PA-RV-FS-3 | Heavy Duty Fridge Slide - 1410L x 455W x 80H (external incl. Travel Lock) | | \$886.00 | \$961.00 |
| PS/PA-RV-FS-3.5 | Heavy Duty Fridge Slide - 1410L x 560W x 80H (external incl. Travel Lock) | | \$886.00 | \$961.00 |
| Travel Slide Drawers available on page 181 | | | | |
| Inbuilt Fridge Slides N/A for alloy drawers | | | | |

| VEHICLE MAKE MODEL | HOLDEN COLORADO RG Space Cab LX, LT-Z (JUNE 2012+) - 1700x1020 NO TUB LINER | HOLDEN | |
|---|--|------------|----------|
| ALLOY DRAWERS: N/A / TRADE HEIGHT DRAWERS +\$100 PER DRAWER | | | |
| PREMBLK: PREMIUM BLACK RRP +180.00 (option) | | | |
| DESCRIPTION (PRICES INCLUDE WING KIT UNLESS OTHERWISE STATED) | | PS RRP | PA RRP |
| PS-040303-175127-SSL | Single Drawer & Wing Kit - Standard Height to Passenger Side 1700L x 510W x 275H | \$1,625.00 | N/A |
| PS-040303-175127-SSR | Single Drawer & Wing Kit - Standard Height to Driver Side 1700L x 510W x 275H | \$1,625.00 | N/A |
| PS-040303-175136-SHL | Single Drawer & Wing Kit - Trade Height to Passenger Side 1700L x 510W x 365H | \$1,725.00 | N/A |
| PS-040303-175136-SHR | Single Drawer & Wing Kit - Trade Height to Driver Side 1700L x 510W x 365H | \$1,725.00 | N/A |
| EL-040303-171227-TDS | EcoLite Twin Drawer & Wing Kit - Standard Height 1700L x 1020W x 275H | \$2,270.00 | N/A |
| PS-040303-171227-TDS | Twin Drawer & Wing Kit - Standard Height 1700L x 1020W x 275H | \$3,145.00 | N/A |
| PS-040303-171236-TDH | Twin Drawer & Wing Kit - Trade Height 1700L x 1020W x 365H | \$3,345.00 | N/A |
| PS-040303-171230-FDC-E/D | Fridge Drawer Combo with 30L Engel/Dometic Fitkit - 1700L x 1020W x 300H **Fridge not included Liftout Hatch provided to access space behind the fridge (100mm narrower if tie downs added to top) - 883L x 431W | \$2,855.00 | N/A |
| PS-040303-171236-FDC-EK | Fridge Drawer Combo with 40L EvaKool Fitkit - 1700L x 1020W x 365H **Fridge not included Liftout Hatch provided to access space behind the fridge (100mm narrower if tie downs added to top) - 883L x 560W | \$2,965.00 | N/A |
| PS-040303-171236-FDC-IM | Fridge Drawer Combo with 40L Ironman Fitkit - 1700L x 1020W x 365H **Fridge not included Liftout Hatch provided to access space behind the fridge (100mm narrower if tie downs added to top) - 883L x 510W | \$2,965.00 | N/A |
| PS-040303-171236-FDC-BM | Fridge Drawer Combo with 30L Bushman Fitkit - 1700L x 1020W x 365H **Fridge not included Liftout Hatch provided to access space behind the fridge (100mm narrower if tie downs added to top) - 883L x 431W | \$2,965.00 | N/A |
| PS-040303-171227-1SL | Easy Access Combo 1 & Wing Kit - Small Low Platform to Passenger Side (Gap size 510W). Single Drawer O/A 1700L x 510W x 275H. Total Combo O/A 1700L x 1020W x 275H. (Suits RV-FS-1 or 3 *Not Included) | \$2,630.00 | N/A |
| PS-040303-171227-1SR | Easy Access Combo 1 & Wing Kit - Small Low Platform to Driver Side (Gap size 510W). Single Drawer O/A 1700L x 510W x 275H. Total Combo O/A 1700L x 1020W x 275H. (Suits RV-FS-1 or 3 *Not Included) | \$2,630.00 | N/A |
| PS-040303-171227-1LL | Easy Access Combo 1 & Wing Kit - Large Low Platform to Passenger Side (Gap size 570W). Single Drawer O/A 1700L x 450W x 275H. Total Combo O/A 1700L x 1020W x 275H. (Suits all RV-FS listed below except SO *Not Included) | \$2,630.00 | N/A |
| PS-040303-171227-1LR | Easy Access Combo 1 & Wing Kit - Large Low Platform to Driver Side (Gap size 570W). Single Drawer O/A 1700L x 450W x 275H. Total Combo O/A 1700L x 1020W x 275H. (Suits all RV-FS listed below except SO *Not Included) | \$2,630.00 | N/A |
| PS-040303-171227-2SL | Easy Access Combo 2 & Wing Kit - Small Low Platform to Passenger Side (Gap size 510W). Double Stacked Drawers (Standard Height Bottom Drawer O/A 1700L x 510W x 275H, Trade Height Top Drawer O/A 1400L x 510W x 365H). Total Combo O/A 1700L x 1020W x 640H. (Suits RV-FS-1 or 3 *Not Included). Optional 1400L Standard Height top drawer minus -\$100.00 | \$3,375.00 | N/A |
| PS-040303-171227-2SR | Easy Access Combo 2 & Wing Kit - Small Low Platform to Driver Side (Gap size 510W). Double Stacked Drawers (Standard Height Bottom Drawer O/A 1700L x 510W x 275H, Trade Height Top Drawer O/A 1400L x 510W x 365H). Total Combo O/A 1700L x 1020W x 640H. (Suits RV-FS-1 or 3 *Not Included). Optional 1400L Standard Height top drawer minus -\$100.00 | \$3,375.00 | N/A |
| PS-040303-171227-2LL | Easy Access Combo 2 & Wing Kit - Large Low Platform to Passenger Side (Gap size 570W). Double Stacked Drawers (Standard Height Bottom Drawer O/A 1700L x 450W x 275H, Trade Height Top Drawer O/A 1400L x 450W x 365H). Total Combo O/A 1700L x 1020W x 640H. (Suits all RV-FS listed below except SO *Not Included). Optional 1400L Standard Height top drawer minus -\$100.00 | \$3,375.00 | N/A |
| PS-040303-171227-2LR | Easy Access Combo 2 & Wing Kit - Large Low Platform to Driver Side (Gap size 570W). Double Stacked Drawers (Standard Height Bottom Drawer O/A 1700L x 450W x 275H, Trade Height Top Drawer O/A 1400L x 450W x 365H). Total Combo O/A 1700L x 1020W x 640H. (Suits all RV-FS listed below except SO *Not Included). Optional 1400L Standard Height top drawer minus -\$100.00 | \$3,375.00 | N/A |
| RV-EAC-IFP-1700 | Easy Access Combo INFILL PANEL - covers fridge slide cavity to create a flat solid top effect (NOTE: top drawer must be removed on EAC-2 systems) | \$272.00 | N/A |
| RV-CS-1451-00 | Cargo Shelf single - 1400L Ventilated side panel and solid top shelf to fit FS-1 (small fridge space) Suits EAC-1 1400L x 1020W | \$803.00 | N/A |
| RV-CS-1457-00 | Cargo Shelf single - 1400L Ventilated side panel and solid top shelf to fit FS1.5 & FS-2 (large fridge space) Suits EAC-1 1400L x 1020W | \$803.00 | N/A |
| RV-CS-0812-00 | Cargo Shelf double - 800L Ventilated side panel and solid top shelf system. Fits EAC-2 1400L x 1020W fitted with a Trade Height top drawer | \$567.00 | N/A |
| RV-IBFS-1300-DS | Inbuilt Fridge Slide - flush fitting 1300L (Driver Side) Premium drawers only | \$472.00 | N/A |
| RV-IBFS-1300-PS | Inbuilt Fridge Slide - flush fitting 1300L (Passenger Side) Premium drawers only | \$472.00 | N/A |
| PS/PA-RV-FS-1 | Heavy Duty Fridge Slide - 750L x 455W x 80H (external incl. Travel Lock) | \$472.00 | \$522.00 |
| PS-RV-FS-1-SO | Heavy Duty Fridge Slide - 450L x 770W x 110H (external incl. Travel Lock) | \$472.00 | N/A |
| PS/PA-RV-FS-1.5 | Heavy Duty Fridge Slide - 750L x 530W x 80H (external incl. Travel Lock) | \$520.00 | \$570.00 |
| PS/PA-RV-FS-2 | Heavy Duty Fridge Slide - 850L x 560W x 80H (external incl. Travel Lock) | \$567.00 | \$617.00 |
| PS-RV-FS-2-SO | Heavy Duty Fridge Slide - 550L x 870W x 110H (external incl. Travel Lock) | \$567.00 | N/A |
| PS/PA-RV-FS-2.25 | Heavy Duty Fridge Slide - 950L x 560W x 80H (external incl. Travel Lock) | \$590.00 | \$640.00 |
| PS/PA-RV-FS-2.5 | Heavy Duty Fridge Slide - 1050L x 560W x 80H (external incl. Travel Lock) | \$685.00 | \$735.00 |
| PS/PA-RV-FS-3 | Heavy Duty Fridge Slide - 1410L x 455W x 80H (external incl. Travel Lock) | \$886.00 | \$961.00 |
| PS/PA-RV-FS-3.5 | Heavy Duty Fridge Slide - 1410L x 560W x 80H (external incl. Travel Lock) | \$886.00 | \$961.00 |

Travel Slide Drawers available on page 181

| VEHICLE MAKE MODEL | HOLDEN COLORADO RG Dual Cab LX, LT, LT-Z (JUNE 2012+) - 1400x1020 GENUINE LINER | HOLDEN | | |
|---|--|---|------------|------------|
| TRADE HEIGHT DRAWERS +\$100 PER DRAWER | | | | |
| PREMBLK: PREMIUM BLACK RRP +180.00 (option) | | | | |
| PA: Premium Alloy PS: Premium Steel EL: EcoLite | | DESCRIPTION (PRICES INCLUDE WING KIT UNLESS OTHERWISE STATED) | PS RRP | PA RRP |
| PS/PA-040305-145127-SSL | Single Drawer & Wing Kit - Standard Height to Passenger Side 1400L x 510W x 275H | | \$1,485.00 | \$1,635.00 |
| PS/PA-040305-145127-SSR | Single Drawer & Wing Kit - Standard Height to Driver Side 1400L x 510W x 275H | | \$1,485.00 | \$1,635.00 |
| PS/PA-040305-145136-SHL | Single Drawer & Wing Kit - Trade Height to Passenger Side 1400L x 510W x 365H | | \$1,585.00 | \$1,735.00 |
| PS/PAS-040305-145136-SHR | Single Drawer & Wing Kit - Trade Height to Driver Side 1400L x 510W x 365H | | \$1,585.00 | \$1,735.00 |
| EL-040305-141227-TDS | EcoLite Twin Drawer & Wing Kit - Standard Height 1400L x 1020W x 275H | | \$2,080.00 | N/A |
| PS/PA-040305-141227-TDS | Twin Drawer & Wing Kit - Standard Height 1400L x 1020W x 275H | | \$2,870.00 | \$3,170.00 |
| PS/PA-040305-141236-TDH | Twin Drawer & Wing Kit - Trade Height 1400L x 1020W x 365H | | \$3,070.00 | \$3,370.00 |
| PS/PA-040305-141230-FDC-E/D | Fridge Drawer Combo with 30L Engel/Dometic Fitkit - 1400L x 1020W x 300H **Fridge not included Liftout Hatch provided to access space behind the fridge (100mm narrower if tie downs added to top) - 583L x 431W | | \$2,690.00 | \$2,840.00 |
| PS/PA-040305-141236-FDC-EK | Fridge Drawer Combo with 40L EvaKool Fitkit - 1400L x 1020W x 365H **Fridge not included Liftout Hatch provided to access space behind the fridge (100mm narrower if tie downs added to top) - 583L x 560W | | \$2,800.00 | \$2,950.00 |
| PS/PA-040305-141236-FDC-IM | Fridge Drawer Combo with 40L Ironman Fitkit - 1400L x 1020W x 365H **Fridge not included Liftout Hatch provided to access space behind the fridge (100mm narrower if tie downs added to top) - 583L x 510W | | \$2,800.00 | \$2,950.00 |
| PS/PA-040305-141236-FDC-BM | Fridge Drawer Combo with 30L Bushman Fitkit - 1400L x 1020W x 365H **Fridge not included Liftout Hatch provided to access space behind the fridge (100mm narrower if tie downs added to top) - 583L x 431W | | \$2,800.00 | \$2,950.00 |
| PS/PA-040305-141227-1SL | Easy Access Combo 1 & Wing Kit - Small Low Platform to Passenger Side (Gap size 510W). Single Drawer O/A 1400L x 510W x 275H. Total Combo O/A 1400L x 1020W x 275H. (Suits RV-FS-1 or 3 *Not Included) | | \$2,410.00 | \$2,560.00 |
| PS/PA-040305-141227-1SR | Easy Access Combo 1 & Wing Kit - Small Low Platform to Driver Side (Gap size 510W). Single Drawer O/A 1400L x 510W x 275H. Total Combo O/A 1400L x 1020W x 275H. (Suits RV-FS-1 or 3 *Not Included) | | \$2,410.00 | \$2,560.00 |
| PS/PA-040305-141227-1LL | Easy Access Combo 1 & Wing Kit - Large Low Platform to Passenger Side (Gap size 570W). Single Drawer O/A 1400L x 450W x 275H. Total Combo O/A 1400L x 1020W x 275H. (Suits all RV-FS listed below except SO *Not Included) | | \$2,410.00 | \$2,560.00 |
| PS/PA-040305-141227-1LR | Easy Access Combo 1 & Wing Kit - Large Low Platform to Driver Side (Gap size 570W). Single Drawer O/A 1400L x 450W x 275H. Total Combo O/A 1400L x 1020W x 275H. (Suits all RV-FS listed below except SO *Not Included) | | \$2,410.00 | \$2,560.00 |
| PS/PA-040305-141227-2SL | Easy Access Combo 2 & Wing Kit - Small Low Platform to Passenger Side (Gap size 510W). Double Stacked Drawers (Standard Height Bottom Drawer O/A 1400L x 510W x 275H, Trade Height Top Drawer O/A 1100L x 510W x 365H). Total Combo O/A 1400L x 1020W x 640H. (Suits RV-FS-1 or 3 *Not Included). Optional 1100L Standard Height top drawer minus -\$100.00 | | \$3,100.00 | \$3,400.00 |
| PS/PA-040305-141227-2SR | Easy Access Combo 2 & Wing Kit - Small Low Platform to Driver Side (Gap size 510W). Double Stacked Drawers (Standard Height Bottom Drawer O/A 1400L x 510W x 275H, Trade Height Top Drawer O/A 1100L x 510W x 365H). Total Combo O/A 1400L x 1020W x 640H. (Suits RV-FS-1 or 3 *Not Included). Optional 1100L Standard Height top drawer minus -\$100.00 | | \$3,100.00 | \$3,400.00 |
| PS/PA-040305-141227-2LL | Easy Access Combo 2 & Wing Kit - Large Low Platform to Passenger Side (Gap size 570W). Double Stacked Drawers (Standard Height Bottom Drawer O/A 1400L x 450W x 275H, Trade Height Top Drawer O/A 1100L x 450W x 365H). Total Combo O/A 1400L x 1020W x 640H. (Suits all RV-FS listed below except SO *Not Included). Optional 1100L Standard Height top drawer minus -\$100.00 | | \$3,100.00 | \$3,400.00 |
| PS/PA-040305-141227-2LR | Easy Access Combo 2 & Wing Kit - Large Low Platform to Driver Side (Gap size 570W). Double Stacked Drawers (Standard Height Bottom Drawer O/A 1400L x 450W x 275H, Trade Height Top Drawer O/A 1100L x 450W x 365H). Total Combo O/A 1400L x 1020W x 640H. (Suits all RV-FS listed below except SO *Not Included). Optional 1100L Standard Height top drawer minus -\$100.00 | | \$3,100.00 | \$3,400.00 |
| RV-EAC-IFP-1400 | Easy Access Combo INFILL PANEL - covers fridge slide cavity to create a flat solid top effect (NOTE: top drawer must be removed on EAC-2 systems) | | \$224.00 | N/A |
| RV-CS-1451-00 | Cargo Shelf single - 1400L Ventilated side panel and solid top shelf to fit FS-1 (small fridge space) Suits EAC-1 1400L x 1020W | | \$803.00 | N/A |
| RV-CS-1457-00 | Cargo Shelf single - 1400L Ventilated side panel and solid top shelf to fit FS1.5 & FS-2 (large fridge space) Suits EAC-1 1400L x 1020W | | \$803.00 | N/A |
| RV-CS-0812-00 | Cargo Shelf double - 800L Ventilated side panel and solid top shelf system. Fits EAC-2 1400L x 1020W fitted with a Trade Height top drawer | | \$567.00 | N/A |
| RV-IBFS-1300-DS | Inbuilt Fridge Slide - flush fitting 1300L (Driver Side) <i>Premium drawers only</i> | | \$472.00 | N/A |
| RV-IBFS-1300-PS | Inbuilt Fridge Slide - flush fitting 1300L (Passenger Side) <i>Premium drawers only</i> | | \$472.00 | N/A |
| PS/PA-RV-FS-1 | Heavy Duty Fridge Slide - 750L x 455W x 80H (external incl. Travel Lock) | | \$472.00 | \$522.00 |
| PS-RV-FS-1-SO | Heavy Duty Fridge Slide - 450L x 770W x 110H (external incl. Travel Lock) | | \$472.00 | N/A |
| PS/PA-RV-FS-1.5 | Heavy Duty Fridge Slide - 750L x 530W x 80H (external incl. Travel Lock) | | \$520.00 | \$570.00 |
| PS/PA-RV-FS-2 | Heavy Duty Fridge Slide - 850L x 560W x 80H (external incl. Travel Lock) | | \$567.00 | \$617.00 |
| PS-RV-FS-2-SO | Heavy Duty Fridge Slide - 550L x 870W x 110H (external incl. Travel Lock) | | \$567.00 | N/A |
| PS/PA-RV-FS-2.25 | Heavy Duty Fridge Slide - 950L x 560W x 80H (external incl. Travel Lock) | | \$590.00 | \$640.00 |
| PS/PA-RV-FS-2.5 | Heavy Duty Fridge Slide - 1050L x 560W x 80H (external incl. Travel Lock) | | \$685.00 | \$735.00 |
| PS/PA-RV-FS-3 | Heavy Duty Fridge Slide - 1410L x 455W x 80H (external incl. Travel Lock) | | \$886.00 | \$961.00 |
| PS/PA-RV-FS-3.5 | Heavy Duty Fridge Slide - 1410L x 560W x 80H (external incl. Travel Lock) | | \$886.00 | \$961.00 |
| Travel Slide Drawers available on page 181 Inbuilt Fridge Slides N/A for alloy drawers | | | | |

| VEHICLE MAKE MODEL | HOLDEN COLORADO RG Dual Cab Z71 (JUNE 2017+) - 1400x1020 GENUINE LINER | HOLDEN | |
|---|--|------------|------------|
| PA: Premium Alloy PS: Premium Steel EL: EcoLite | TRADE HEIGHT DRAWERS +\$100 PER DRAWER | | |
| | PREMBLK: PREMIUM BLACK RRP +180.00 (option) | | |
| | DESCRIPTION (PRICES INCLUDE WING KIT UNLESS OTHERWISE STATED) | PS RRP | PA RRP |
| PS/PA-040306-145127-SSL | Single Drawer & Wing Kit - Standard Height to Passenger Side 1400L x 510W x 275H | \$1,485.00 | \$1,635.00 |
| PS/PA-040306-145127-SSR | Single Drawer & Wing Kit - Standard Height to Driver Side 1400L x 510W x 275H | \$1,485.00 | \$1,635.00 |
| PS/PA-040306-145136-SHL | Single Drawer & Wing Kit - Trade Height to Passenger Side 1400L x 510W x 365H | \$1,585.00 | \$1,735.00 |
| PS/PA-040306-145136-SHR | Single Drawer & Wing Kit - Trade Height to Driver Side 1400L x 510W x 365H | \$1,585.00 | \$1,735.00 |
| EL-040306-141227-TDS | EcoLite Twin Drawer & Wing Kit - Standard Height 1400L x 1020W x 275H | \$2,080.00 | N/A |
| PS/PA-040306-141227-TDS | Twin Drawer & Wing Kit - Standard Height 1400L x 1020W x 275H | \$2,870.00 | \$3,170.00 |
| PS/PA-040306-141236-TDH | Twin Drawer & Wing Kit - Trade Height 1400L x 1020W x 365H | \$3,070.00 | \$3,370.00 |
| PS/PA-040306-141230-FDC-E/D | Fridge Drawer Combo with 30L Engel/Dometic Fitkit - 1400L x 1020W x 300H **Fridge not included Liftout Hatch provided to access space behind the fridge (100mm narrower if tie downs added to top) - 583L x 431W | \$2,690.00 | \$2,840.00 |
| PS/PA-040306-141236-FDC-EK | Fridge Drawer Combo with 40L EvaKool Fitkit - 1400L x 1020W x 365H **Fridge not included Liftout Hatch provided to access space behind the fridge (100mm narrower if tie downs added to top) - 583L x 560W | \$2,800.00 | \$2,950.00 |
| PS/PA-040306-141236-FDC-IM | Fridge Drawer Combo with 40L Ironman Fitkit - 1400L x 1020W x 365H **Fridge not included Liftout Hatch provided to access space behind the fridge (100mm narrower if tie downs added to top) - 583L x 510W | \$2,800.00 | \$2,950.00 |
| PS/PA-040306-141236-FDC-BM | Fridge Drawer Combo with 30L Bushman Fitkit - 1400L x 1020W x 365H **Fridge not included Liftout Hatch provided to access space behind the fridge (100mm narrower if tie downs added to top) - 583L x 431W | \$2,800.00 | \$2,950.00 |
| PS/PA-040306-141227-1SL | Easy Access Combo 1 & Wing Kit - Small Low Platform to Passenger Side (Gap size 510W). Single Drawer O/A 1400L x 510W x 275H. Total Combo O/A 1400L x 1020W x 275H. (Suits RV-FS-1 or 3 *Not Included) | \$2,410.00 | \$2,560.00 |
| PS/PA-040306-141227-1SR | Easy Access Combo 1 & Wing Kit - Small Low Platform to Driver Side (Gap size 510W). Single Drawer O/A 1400L x 510W x 275H. Total Combo O/A 1400L x 1020W x 275H. (Suits RV-FS-1 or 3 *Not Included) | \$2,410.00 | \$2,560.00 |
| PS/PA-040306-141227-1LL | Easy Access Combo 1 & Wing Kit - Large Low Platform to Passenger Side (Gap size 570W). Single Drawer O/A 1400L x 450W x 275H. Total Combo O/A 1400L x 1020W x 275H. (Suits all RV-FS listed below except SO *Not Included) | \$2,410.00 | \$2,560.00 |
| PS/PA-040306-141227-1LR | Easy Access Combo 1 & Wing Kit - Large Low Platform to Driver Side (Gap size 570W). Single Drawer O/A 1400L x 450W x 275H. Total Combo O/A 1400L x 1020W x 275H. (Suits all RV-FS listed below except SO *Not Included) | \$2,410.00 | \$2,560.00 |
| PS/PA-040306-141227-2SL | Easy Access Combo 2 & Wing Kit - Small Low Platform to Passenger Side (Gap size 510W). Double Stacked Drawers (Standard Height Bottom Drawer O/A 1400L x 510W x 275H, Trade Height Top Drawer O/A 1100L x 510W x 365H). Total Combo O/A 1400L x 1020W x 640H. (Suits RV-FS-1 or 3 *Not Included). Optional 1100L Standard Height top drawer minus -\$100.00 | \$3,100.00 | \$3,400.00 |
| PS/PA-040306-141227-2SR | Easy Access Combo 2 & Wing Kit - Small Low Platform to Driver Side (Gap size 510W). Double Stacked Drawers (Standard Height Bottom Drawer O/A 1400L x 510W x 275H, Trade Height Top Drawer O/A 1100L x 510W x 365H). Total Combo O/A 1400L x 1020W x 640H. (Suits RV-FS-1 or 3 *Not Included). Optional 1100L Standard Height top drawer minus -\$100.00 | \$3,100.00 | \$3,400.00 |
| PS/PA-040306-141227-2LL | Easy Access Combo 2 & Wing Kit - Large Low Platform to Passenger Side (Gap size 570W). Double Stacked Drawers (Standard Height Bottom Drawer O/A 1400L x 450W x 275H, Trade Height Top Drawer O/A 1100L x 450W x 365H). Total Combo O/A 1400L x 1020W x 640H. (Suits all RV-FS listed below except SO *Not Included). Optional 1100L Standard Height top drawer minus -\$100.00 | \$3,100.00 | \$3,400.00 |
| PS/PA-040306-141227-2LR | Easy Access Combo 2 & Wing Kit - Large Low Platform to Driver Side (Gap size 570W). Double Stacked Drawers (Standard Height Bottom Drawer O/A 1400L x 450W x 275H, Trade Height Top Drawer O/A 1100L x 450W x 365H). Total Combo O/A 1400L x 1020W x 640H. (Suits all RV-FS listed below except SO *Not Included). Optional 1100L Standard Height top drawer minus -\$100.00 | \$3,100.00 | \$3,400.00 |
| RV-EAC-IFP-1400 | Easy Access Combo INFILL PANEL - covers fridge slide cavity to create a flat solid top effect (NOTE: top drawer must be removed on EAC-2 systems) | \$224.00 | N/A |
| RV-CS-1451-00 | Cargo Shelf single - 1400L Ventilated side panel and solid top shelf to fit FS-1 (small fridge space) Suits EAC-1 1400L x 1020W | \$803.00 | N/A |
| RV-CS-1457-00 | Cargo Shelf single - 1400L Ventilated side panel and solid top shelf to fit FS1.5 & FS-2 (large fridge space) Suits EAC-1 1400L x 1020W | \$803.00 | N/A |
| RV-CS-0812-00 | Cargo Shelf double - 800L Ventilated side panel and solid top shelf system. Fits EAC-2 1400L x 1020W fitted with a Trade Height top drawer | \$567.00 | N/A |
| RV-IBFS-1300-DS | Inbuilt Fridge Slide - flush fitting 1300L (Driver Side) <i>Premium drawers only</i> | \$472.00 | N/A |
| RV-IBFS-1300-PS | Inbuilt Fridge Slide - flush fitting 1300L (Passenger Side) <i>Premium drawers only</i> | \$472.00 | N/A |
| PS/PA-RV-FS-1 | Heavy Duty Fridge Slide - 750L x 455W x 80H (external incl. Travel Lock) | \$472.00 | \$522.00 |
| PS-RV-FS-1-SO | Heavy Duty Fridge Slide - 450L x 770W x 110H (external incl. Travel Lock) | \$472.00 | N/A |
| PS/PA-RV-FS-1.5 | Heavy Duty Fridge Slide - 750L x 530W x 80H (external incl. Travel Lock) | \$520.00 | \$570.00 |
| PS/PA-RV-FS-2 | Heavy Duty Fridge Slide - 850L x 560W x 80H (external incl. Travel Lock) | \$567.00 | \$617.00 |
| PS-RV-FS-2-SO | Heavy Duty Fridge Slide - 550L x 870W x 110H (external incl. Travel Lock) | \$567.00 | N/A |
| PS/PA-RV-FS-2.25 | Heavy Duty Fridge Slide - 950L x 560W x 80H (external incl. Travel Lock) | \$590.00 | \$640.00 |
| PA/PS-RV-FS-2.5 | Heavy Duty Fridge Slide - 1050L x 560W x 80H (external incl. Travel Lock) | \$685.00 | \$735.00 |
| PS/PA-RV-FS-3 | Heavy Duty Fridge Slide - 1410L x 455W x 80H (external incl. Travel Lock) | \$886.00 | \$961.00 |
| PS/PA-RV-FS-3.5 | Heavy Duty Fridge Slide - 1410L x 560W x 80H (external incl. Travel Lock) | \$886.00 | \$961.00 |
| No Tub Liner - Refer back to 040302 | | | |
| Travel Slide Drawers available on page 181 | | | |
| Inbuilt Fridge Slides N/A for alloy drawers | | | |

| VEHICLE MAKE MODEL | HOLDEN COLORADO 7 / TRAILBLAZER Wagon LX, LT, LT-Z (JUNE 2012+) - 900x970 HOLDEN | | |
|---|---|------------|------------|
| PA: Premium Alloy PS: Premium Steel EL: EcoLite | TRADE HEIGHT DRAWERS +\$100 PER DRAWER | | |
| | PREMBLK: PREMIUM BLACK RRP +180.00 (option) | | |
| | DESCRIPTION (PRICES INCLUDE WING KIT UNLESS OTHERWISE STATED) | PS RRP | PA RRP |
| EL-040304-099727-TDS | EcoLite Twin Drawer & Wing Kit - Standard Height 900L x 970W x 275H (Subframe included) | \$2,010.00 | N/A |
| PS/PA-040304-099727-TDS | Twin Drawer & Wing Kit - Standard Height 900L x 970W x 275H (Subframe included) | \$2,705.00 | \$3,005.00 |
| PS/PA-040304-099730-FDC-E/D | Fridge Drawer Combo with 30L Engel/Dometic Fitkit - 900L x 970W x 300H (Subframe included) *Fridge not included Liftout Hatch provided to access space behind the fridge (100mm narrower if tie downs added to top) - 133L x 431W | \$2,735.00 | \$2,885.00 |
| PA-040304-099730-FDS-E/D | Engel/Dometic Fridge Drawer Stacker with Engel/Dometic Fitkit - 900L x 970W x 300H (Subframe included) *Fridge not included Liftout Hatch provided to access space behind the fridge (100mm narrower if tie downs added to top) - 133L x 431W | N/A | \$3,721.00 |
| PS/PA-040304-099727-1SL | Easy Access Combo 1 & Wing Kit - Small Low Platform to Passenger Side (Gap size 485W). Single Drawer O/A 900L x 485W x 275H. Total Combo O/A 900L x 970W x 275H. (Subframe included) (Suits RV-FS-1 *Not Included) (Suits Cargo Shelf Single 485W *Not Included) | \$2,245.00 | \$2,395.00 |
| PS/PA-040304-099727-1SR | Easy Access Combo 1 & Wing Kit - Small Low Platform to Driver Side (Gap size 485W). Single Drawer O/A 900L x 485W x 275H. Total Combo O/A 900L x 970W x 275H. (Subframe included) (Suits RV-FS-1 *Not Included) (Suits Cargo Shelf Single 485W *Not Included) | \$2,245.00 | \$2,395.00 |
| PS/PA-040304-099727-1LL | Easy Access Combo 1 & Wing Kit - Large Low Platform to Passenger Side (Gap size 570W). Single Drawer O/A 900L x 400W x 275H. Total Combo O/A 900L x 970W x 275H. (Subframe included) (Suits all RV-FS listed below except SO *Not Included) (Suits Cargo Shelf Single 570W *Not Included) | \$2,245.00 | \$2,395.00 |
| PS/PA-040304-099727-1LR | Easy Access Combo 1 & Wing Kit - Large Low Platform to Driver Side (Gap size 570W). Single Drawer O/A 900L x 400W x 275H. Total Combo O/A 900L x 970W x 275H. (Subframe included) (Suits all RV-FS listed below except SO *Not Included) (Suits Cargo Shelf Single 570W *Not Included) | \$2,245.00 | \$2,395.00 |
| PS/PA-040304-099727-2SL | Easy Access Combo 2 & Wing Kit - Small Low Platform to Passenger Side (Gap size 485W). Double Stacked Drawers (Standard Height Bottom Drawer O/A 900L x 485W x 275H, Trade Height Top Drawer O/A 700L x 485W x 365H). Total Combo O/A 900L x 970W x 640H. (Subframe included) (Suits RV-FS-1 *Not Included) (Suits Cargo Shelf Double 970W *Not Included). Optional 700L Standard Height top drawer minus -\$100.00, but cannot have Double Cargo Shelf. | \$2,935.00 | \$3,235.00 |
| PS/PA-040304-099727-2SR | Easy Access Combo 2 & Wing Kit - Small Low Platform to Driver Side (Gap size 485W). Double Stacked Drawers (Standard Height Bottom Drawer O/A 900L x 485W x 275H, Trade Height Top Drawer O/A 700L x 485W x 365H). Total Combo O/A 900L x 970W x 640H. (Subframe included) (Suits RV-FS-1 *Not Included) (Suits Cargo Shelf Double 970W *Not Included). Optional 700L Standard Height top drawer minus -\$100.00, but cannot have Double Cargo Shelf. | \$2,935.00 | \$3,235.00 |
| PS/PA-040304-099727-2LL | Easy Access Combo 2 & Wing Kit - Large Low Platform to Passenger Side (Gap size 570W). Double Stacked Drawers (Standard Height Bottom Drawer O/A 900L x 400W x 275H, Trade Height Top Drawer O/A 700L x 400W x 365H). Total Combo O/A 900L x 970W x 640H. (Subframe included) (Suits all RV-FS listed below except SO *Not Included) (Suits Cargo Shelf Double 970W *Not Included). Optional 700L Standard Height top drawer minus -\$100.00, but cannot have Double Cargo Shelf. | \$2,935.00 | \$3,235.00 |
| PS/PA-040304-099727-2LR | Easy Access Combo 2 & Wing Kit - Large Low Platform to Driver Side (Gap size 570W). Double Stacked Drawers (Standard Height Bottom Drawer O/A 900L x 400W x 275H, Trade Height Top Drawer O/A 700L x 400W x 365H). Total Combo O/A 900L x 970W x 640H. (Subframe included) (Suits all RV-FS listed below except SO *Not Included) (Suits Cargo Shelf Double 970W *Not Included). Optional 700L Standard Height top drawer minus -\$100.00, but cannot have Double Cargo Shelf. | \$2,935.00 | \$3,235.00 |
| RV-EAC-IFP-900 | Easy Access Combo INFILL PANEL - covers fridge slide cavity to create a flat solid top effect (NOTE: top drawer must be removed on EAC-2 systems) | \$164.00 | N/A |
| RV-CS-0748-00 | Cargo Shelf single - 700L Ventilated side panel and solid top shelf to fit FS-1 (small fridge space). Fits EAC-1 900L x 970W | \$520.00 | N/A |
| RV-CS-0757-00 | Cargo Shelf single - 700L Ventilated side panel and solid top shelf to fit FS-1.5 & 2 (large fridge space). Fits EAC-1 900L x 970W | \$520.00 | N/A |
| RV-CS-0797-00 | Cargo Shelf double- 700L Ventilated side panel and solid top shelf system to suit EAC-2 900L x 970W fitted with a Trade Height top drawer | \$567.00 | N/A |
| RV-IBFS-900-DS | Inbuilt Fridge Slide - flush fitting 900L (Driver Side) Premium drawers only | \$413.00 | \$413.00 |
| RV-IBFS-900-PS | Inbuilt Fridge Slide - flush fitting 900L (Passenger Side) Premium drawers only | \$413.00 | \$413.00 |
| PS/PA-RV-FS-1 | Heavy Duty Fridge Slide - 750L x 455W x 80H (external incl. Travel Lock) | \$472.00 | \$522.00 |
| PS-RV-FS-1-SO | Heavy Duty Fridge Slide - 450L x 770W x 110H (external incl. Travel Lock) | \$472.00 | N/A |
| PS/PA-RV-FS-1.5 | Heavy Duty Fridge Slide - 750L x 530W x 80H (external incl. Travel Lock) | \$520.00 | \$570.00 |
| PS/PA-RV-FS-2 | Heavy Duty Fridge Slide - 850L x 560W x 80H (external incl. Travel Lock) | \$567.00 | \$617.00 |
| PS-RV-FS-2-SO | Heavy Duty Fridge Slide - 550L x 870W x 110H (external incl. Travel Lock) | \$567.00 | N/A |
| RV-040304-HCB | Rear Cargo Barrier - Half height for fitment to RV drawer system, ADR Compliant | \$685.00 | N/A |
| No Trade Height Option Available | | | |
| Rear Cargo Barrier only available for Standard Height | | | |
| EvaKool Fridge Drawer Combo not available | | | |
| Travel Slide Drawers available on page 181 | | | |

| VEHICLE MAKE MODEL | HYUNDAI I-LOAD VAN TQ-V (2008+) - 1500x1140 / 1300x570 | | |
|---|---|------------|------------|
| PA: Premium Alloy PS: Premium Steel EL: EcoLite | TRADE HEIGHT DRAWERS +\$100 PER DRAWER | | |
| | PREMBLK: PREMIUM BLACK RRP +180.00 (option) | | |
| | DESCRIPTION (PRICES INCLUDE WING KIT UNLESS OTHERWISE STATED) | PS RRP | PA RRP |
| PS-090101-155727-SSL | Single Drawer & Wing Kit REAR DOOR - Standard Height to Passenger Side 1500L x 570W x 275H | \$1,560.00 | N/A |
| PS-090101-155727-SSR | Single Drawer & Wing Kit REAR DOOR - Standard Height to Driver Side 1500L x 570W x 275H | \$1,560.00 | N/A |
| PS-090101-155736-SHL | Single Drawer & Wing Kit REAR DOOR - Trade Height to Passenger Side 1500L x 570W x 365H | \$1,660.00 | N/A |
| PS-090101-155736-SHR | Single Drawer & Wing Kit REAR DOOR - Trade Height to Driver Side 1500L x 570W x 365H | \$1,660.00 | N/A |
| EL-090101-151227-TDS | EcoLite Twin Drawer & Wing Kit - Standard Height 1500L x 1020W x 275H (NOTE EcoLite Width: 1020W) | \$2,150.00 | N/A |
| PS-090101-151427-TDS | Twin Drawer & Wing Kit REAR DOOR - Standard Height 1500L x 1140W x 275H | \$3,025.00 | N/A |
| PS-090101-151436-TDH | Twin Drawer & Wing Kit REAR DOOR - Trade Height 1500L x 1140W x 365H | \$3,225.00 | N/A |
| PS/PA-090102-135727-SSR | Single Drawer & Wing Kit SIDE DOOR - Standard Height 1300L x 570W x 275H | \$1,480.00 | \$1,630.00 |
| PS/PA-090102-135736-SHR | Single Drawer & Wing Kit SIDE DOOR - Trade Height 1300L x 570W x 365H | \$1,580.00 | \$1,730.00 |
| PS/PA-RV-FS-1 | Heavy Duty Fridge Slide - 750L x 455W x 80H (external incl. Travel Lock) | \$472.00 | \$522.00 |
| PS-RV-FS-1-SO | Heavy Duty Fridge Slide - 450L x 770W x 110H (external incl. Travel Lock) | \$472.00 | N/A |
| PS/PA-RV-FS-1.5 | Heavy Duty Fridge Slide - 750L x 530W x 80H (external incl. Travel Lock) | \$520.00 | \$570.00 |
| PS/PA-RV-FS-2 | Heavy Duty Fridge Slide - 850L x 560W x 80H (external incl. Travel Lock) | \$567.00 | \$617.00 |
| PS-RV-FS-2-SO | Heavy Duty Fridge Slide - 550L x 870W x 110H (external incl. Travel Lock) | \$567.00 | N/A |
| PS/PA-RV-FS-2.25 | Heavy Duty Fridge Slide - 950L x 560W x 80H (external incl. Travel Lock) | \$590.00 | \$640.00 |
| PS/PA-RV-FS-2.5 | Heavy Duty Fridge Slide - 1050L x 560W x 80H (external incl. Travel Lock) | \$685.00 | \$735.00 |
| PS/PA-RV-FS-3 | Heavy Duty Fridge Slide - 1410L x 455W x 80H (external incl. Travel Lock) | \$886.00 | \$961.00 |
| PS/PA-RV-FS-3.5 | Heavy Duty Fridge Slide - 1410L x 560W x 80H (external incl. Travel Lock) | \$886.00 | \$961.00 |
| RV-IBFS-1300-DS | Inbuilt Fridge Slide - flush fitting 1300L (Driver Side) Premium drawers only | \$472.00 | N/A |
| RV-IBFS-1300-PS | Inbuilt Fridge Slide - flush fitting 1300L (Passenger Side) Premium drawers only | \$472.00 | N/A |
| Inbuilt Fridge Slides N/A for alloy drawers | | | |

| VEHICLE MAKE MODEL | HYUNDAI I-LOAD CREW CAB VAN TQ-V (2008+) - 1300x1140 | | | HYUNDAI |
|---|--|------------|------------|---------|
| PA: Premium Alloy PS: Premium Steel EL: EcoLite | TRADE HEIGHT DRAWERS +\$100 PER DRAWER | | | |
| | PREMBLK: PREMIUM BLACK RRP +180.00 (option) | | | |
| | DESCRIPTION <small>(PRICES INCLUDE WING KIT UNLESS OTHERWISE STATED)</small> | PS RRP | PA RRP | |
| PS/PA-090103-135727-SSL | Single Drawer & Wing Kit - Standard Height to Passenger Side 1300L x 570W x 275H | \$1,480.00 | \$1,630.00 | |
| PS/PA-090103-135727-SSR | Single Drawer & Wing Kit - Standard Height to Driver Side 1300L x 570W x 275H | \$1,480.00 | \$1,630.00 | |
| PS/PA-090103-135736-SHL | Single Drawer & Wing Kit - Trade Height to Passenger Side 1300L x 570W x 365H | \$1,580.00 | \$1,730.00 | |
| PS/PA-090103-135736-SHR | Single Drawer & Wing Kit - Trade Height to Driver Side 1300L x 570W x 365H | \$1,580.00 | \$1,730.00 | |
| EL-090103-131227-TDS | EcoLite Twin Drawer & Wing Kit - Standard Height 1300L x 1020W x 275H (NOTE EcoLite Width: 1020W) | \$2,020.00 | N/A | |
| PS/PA-090103-131427-TDS | Twin Drawer & Wing Kit - Standard Height 1300L x 1140W x 275H | \$2,860.00 | \$3,160.00 | |
| PS/PA-090103-131436-TDH | Twin Drawer & Wing Kit - Trade Height 1300L x 1140W x 365H | \$3,060.00 | \$3,360.00 | |
| RV-IBFS-1300-DS | Inbuilt Fridge Slide - flush fitting 1300L (Driver Side) <i>Premium drawers only</i> | \$472.00 | N/A | |
| RV-IBFS-1300-PS | Inbuilt Fridge Slide - flush fitting 1300L (Passenger Side) <i>Premium drawers only</i> | \$472.00 | N/A | |
| PS/PA-RV-FS-1 | Heavy Duty Fridge Slide - 750L x 455W x 80H (external incl. Travel Lock) | \$472.00 | \$522.00 | |
| PS-RV-FS-1-SO | Heavy Duty Fridge Slide - 450L x 770W x 110H (external incl. Travel Lock) | \$472.00 | N/A | |
| PS/PA-RV-FS-1.5 | Heavy Duty Fridge Slide - 750L x 530W x 80H (external incl. Travel Lock) | \$520.00 | \$570.00 | |
| PS/PA-RV-FS-2 | Heavy Duty Fridge Slide - 850L x 560W x 80H (external incl. Travel Lock) | \$567.00 | \$617.00 | |
| PS-RV-FS-2-SO | Heavy Duty Fridge Slide - 550L x 870W x 110H (external incl. Travel Lock) | \$567.00 | N/A | |
| PS/PA-RV-FS-2.25 | Heavy Duty Fridge Slide - 950L x 560W x 80H (external incl. Travel Lock) | \$590.00 | \$640.00 | |
| PS/PA-RV-FS-2.5 | Heavy Duty Fridge Slide - L1050 x W560 x 80H (external incl. Travel Lock) | \$685.00 | \$735.00 | |
| Inbuilt Fridge Slides N/A for alloy drawers | | | | |

| VEHICLE MAKE MODEL | HYUNDAI STARIA (2024+) - 1400x1140 / 1400 x 570 HYUNDAI | | |
|---|---|------------|------------|
| PA: Premium Alloy PS: Premium Steel EL: EcoLite | TRADE HEIGHT DRAWERS +\$100 PER DRAWER | | |
| | PREMBLK: PREMIUM BLACK RRP +180.00 (option) | | |
| | DESCRIPTION <i>(PRICES INCLUDE WING KIT UNLESS OTHERWISE STATED)</i> | PS RRP | PA RRP |
| PS/PA-090501-145727-SSL | Single Drawer & Wing Kit REAR DOOR - Standard Height to Passenger Side 1400L x 570W x 275H | \$1,505.00 | \$1,655.00 |
| PS/PA-090501-145727-SSR | Single Drawer & Wing Kit REAR DOOR - Standard Height to Driver Side 1400L x 570W x 275H | \$1,505.00 | \$1,655.00 |
| PS/PA-090501-145736-SHL | Single Drawer & Wing Kit REAR DOOR - Trade Height to Passenger Side 1400L x 570W x 365H | \$1,605.00 | \$1,755.00 |
| PS/PA-090501-145736-SHR | Single Drawer & Wing Kit REAR DOOR - Trade Height to Driver Side 1400L x 570W x 365H | \$1,605.00 | \$1,755.00 |
| EL-090501-141227-TDS | EcoLite Twin Drawer & Wing Kit REAR DOOR - Standard Height 1400L x 1020W x 275H (NOTE EcoLite Width: 1020W) | \$2,080.00 | N/A |
| PS/PA-090501-141427-TDS | Twin Drawer & Wing Kit REAR DOOR - Standard Height 1400L x 1140W x 275H | \$2,915.00 | \$3,215.00 |
| PS/PA-090501-141436-TDH | Twin Drawer & Wing Kit REAR DOOR - Trade Height 1400L x 1140W x 365H | \$3,115.00 | \$3,415.00 |
| PS/PA-090502-145727 | Single Drawer & Wing Kit SIDE DOOR - Standard Height 1400L x 570W x 275H | \$1,505.00 | \$1,655.00 |
| PS/PA-090502-145736 | Single Drawer & Wing Kit SIDE DOOR - Trade Height 1400L x 570W x 365H | \$1,605.00 | \$1,755.00 |
| RV-IBFS-1300-DS | Inbuilt Fridge Slide - flush fitting 1300L (Driver Side) <i>Premium drawers only</i> | \$472.00 | N/A |
| RV-IBFS-1300-PS | Inbuilt Fridge Slide - flush fitting 1300L (Passenger Side) <i>Premium drawers only</i> | \$472.00 | N/A |
| PS/PA-RV-FS-1 | Heavy Duty Fridge Slide - 750L x 455W x 80H (external incl. Travel Lock) | \$472.00 | \$522.00 |
| PS-RV-FS-1-SO | Heavy Duty Fridge Slide - 450L x 770W x 110H (external incl. Travel Lock) | \$472.00 | N/A |
| PS/PA-RV-FS-1.5 | Heavy Duty Fridge Slide - 750L x 530W x 80H (external incl. Travel Lock) | \$520.00 | \$570.00 |
| PS/PA-RV-FS-2 | Heavy Duty Fridge Slide - 850L x 560W x 80H (external incl. Travel Lock) | \$567.00 | \$617.00 |
| PS-RV-FS-2-SO | Heavy Duty Fridge Slide - 550L x 870W x 110H (external incl. Travel Lock) | \$567.00 | N/A |
| PS/PA-RV-FS-2.25 | Heavy Duty Fridge Slide - 950L x 560W x 80H (external incl. Travel Lock) | \$590.00 | \$640.00 |
| PS/PA-RV-FS-2.5 | Heavy Duty Fridge Slide - L1050 x W560 x 80H (external incl. Travel Lock) | \$685.00 | \$735.00 |
| PS/PA-RV-FS-3 | Heavy Duty Fridge Slide - 1410L x 455W x 80H (external incl. Travel Lock) | \$886.00 | \$961.00 |
| PS/PA-RV-FS-3.5 | Heavy Duty Fridge Slide - 1410L x 560W x 80H (external incl. Travel Lock) | \$886.00 | \$961.00 |
| Inbuilt Fridge Slides N/A for alloy drawers | | | |

| VEHICLE MAKE MODEL | INEOS GRENADIER BASE, FIELDMASTER, TRIALMASTER (2022+) - 800x1020 | INEOS | |
|---|---|------------|------------|
| PA: Premium Alloy PS: Premium Steel EL: EcoLite | TRADE HEIGHT DRAWERS +\$100 PER DRAWER | | |
| | PREMBLK: PREMIUM BLACK RRP +180.00 (option) | | |
| | DESCRIPTION (PRICES INCLUDE WING KIT UNLESS OTHERWISE STATED) | PS RRP | PA RRP |
| PS/PA-170101-085127-SSL | Single Drawer & Wing Kit - Standard Height to Passenger Side 800L x 510W x 275 | \$1,375.00 | \$1,525.00 |
| PS/PA-170101-085127-SSR | Single Drawer & Wing Kit - Standard Height to Driver Side 800L x 510 x 275H | \$1,375.00 | \$1,525.00 |
| PS/PA-170101-085136-SHL | Single Drawer & Wing Kit - Trade Height Drawer to Passenger Side 800L x 510 x 365H | \$1,475.00 | \$1,625.00 |
| PS/PA-170101-085136-SHR | Single Drawer & Wing Kit - Trade Height Drawer to Driver Side 800L x 510 x 365H | \$1,475.00 | \$1,625.00 |
| EL-170101-081227-TDS | EcoLite Twin Drawer & Wing Kit - Standard Height 800L x 1020W x 275H | \$2,010.00 | N/A |
| PS/PA-170101-081227-TDS | Twin Drawer & Wing Kit - Standard Height 800L x 1020W x 275H | \$2,705.00 | \$3,005.00 |
| PS/PA-170101-081236-TDH | Twin Drawer & Wing Kit - Trade Height 800L x 1020W x 365H | \$2,905.00 | \$3,205.00 |
| PS/PA-170101-081230-FDC-E/D | Fridge Drawer Combo with 30L Engel/Dometic Fitkit - 800L x 1020W x 300H <i>*Fridge not included</i> NO LIFTOUT HATCH | \$2,635.00 | \$2,785.00 |
| PA-170101-081230-FDS-E/D | Engel/Dometic Fridge Drawer Stacker with Engel/Dometic Fitkit - 800L x 1020W x 300H <i>*Fridge not included</i> NO LIFTOUT HATCH | N/A | \$3,621.00 |
| PS/PA-170101-081227-1SL | Easy Access Combo 1 & Wing Kit - Small Low Platform to Passenger Side (Gap size 510W). Single Drawer O/A 800L x 510W x 275H. Total Combo O/A 800L x 1020W x 275H. (Suits RV-FS-1 *Not Included) (Cargo Shelf Not Suitable) | \$2,245.00 | \$2,395.00 |
| PS/PA-170101-081227-1SR | Easy Access Combo 1 & Wing Kit - Small Low Platform to Driver Side (Gap size 510W). Single Drawer O/A 800L x 510W x 275H. Total Combo O/A 800L x 1020W x 275H. (Suits RV-FS-1 *Not Included) (Cargo Shelf Not Suitable) | \$2,245.00 | \$2,395.00 |
| PS/PA-170101-081227-1LL | Easy Access Combo 1 & Wing Kit - Large Low Platform to Passenger Side (Gap size 570W). Single Drawer O/A 800L x 450W x 275H. Total Combo O/A 800L x 1020W x 275H. (Suits all RV-FS listed below except SO *Not Included) (Cargo Shelf Not Suitable) | \$2,245.00 | \$2,395.00 |
| PS/PA-170101-081227-1LR | Easy Access Combo 1 & Wing Kit - Large Low Platform to Driver Side (Gap size 570W). Single Drawer O/A 800L x 450W x 275H. Total Combo O/A 800L x 1020W x 275H. (Suits all RV-FS listed below except SO *Not Included) (Cargo Shelf Not Suitable) | \$2,245.00 | \$2,395.00 |
| PS/PA-170101-081227-2SL | Easy Access Combo 2 & Wing Kit - Small Low Platform to Passenger Side (Gap size 510W). Double Stacked Drawers (Standard Height Bottom Drawer O/A 800L x 510W x 275H, Trade Height Top Drawer O/A 700L x 510W x 365H). Total Combo O/A 800L x 1020W x 640H. (Suits RV-FS-1 *Not Included) (Cargo Shelf Not Suitable). Optional 700L Standard Height top drawer minus -\$100.00 | \$2,935.00 | \$3,235.00 |
| PS/PA-170101-081227-2SR | Easy Access Combo 2 & Wing Kit - Small Low Platform to Driver Side (Gap size 510W). Double Stacked Drawers (Standard Height Bottom Drawer O/A 800L x 510W x 275H, Trade Height Top Drawer O/A 700L x 510W x 365H). Total Combo O/A 800L x 1020W x 640H. (Suits RV-FS-1 *Not Included) (Cargo Shelf Not Suitable). Optional 700L Standard Height top drawer minus -\$100.00 | \$2,935.00 | \$3,235.00 |
| PS/PA-170101-081227-2LL | Easy Access Combo 2 & Wing Kit - Large Low Platform to Passenger Side (Gap size 570W). Double Stacked Drawers (Standard Height Bottom Drawer O/A 800L x 450W x 275H, Trade Height Top Drawer O/A 700L x 450W x 365H). Total Combo O/A 800L x 1020W x 640H. (Suits all RV-FS listed below except SO *Not Included) (Cargo Shelf Not Suitable). Optional 700L Standard Height top drawer minus -\$100.00 | \$2,935.00 | \$3,235.00 |
| PS/PA-170101-081227-2LR | Easy Access Combo 2 & Wing Kit - Large Low Platform to Driver Side (Gap size 570W). Double Stacked Drawers (Standard Height Bottom Drawer O/A 800L x 450W x 275H, Trade Height Top Drawer O/A 700L x 450W x 365H). Total Combo O/A 800L x 1020W x 640H. (Suits all RV-FS listed below except SO *Not Included) (Cargo Shelf Not Suitable). Optional 700L Standard Height top drawer minus -\$100.00 | \$2,935.00 | \$3,235.00 |
| PA-170101-081227-TC | Tourer Combo & Wing Kit - Low Platform to Passenger Side for Bushman 85Lt Upright Fridge (Gap size 510W). Triple Stacked Drawers Driver Side (Slimline Bottom Drawer I/D 730L x 420W x 59H Standard Height Middle Drawer I/D 730L x 420W x 190H, Trade Height Top Drawer I/D 630L x 420W x 270H). Total Combo O/A 800L x 1020W x 731H. (Includes Cargo Shelf Double, Bushman 85Lt Upright Fridge, Drawer Lids for Slimline and Standard height drawers). | N/A | \$6,130.00 |
| RV-EAC-IFP-800 | Easy Access Combo INFILL PANEL - covers fridge slide cavity to create a flat solid top effect (NOTE: top drawer must be removed on EAC-2 systems) | \$164.00 | N/A |
| RV-CS-0751-00 | Cargo Shelf single - 700L Ventilated side panel and solid top shelf to fit FS-1 (small fridge space). Fits EAC-1 800L x 1020W | \$520.00 | N/A |
| RV-CS-0757-00 | Cargo Shelf single - 700L Ventilated side panel and solid top shelf to fit FS-1.5 & 2 (large fridge space). Fits EAC-1 800L x 1020W | \$520.00 | N/A |
| RV-CS-0712-00 | Cargo Shelf double - 700L Ventilated side panel and solid top shelf system to suit EAC-2 800L x 1020W fitted with a Trade Height top drawer | \$567.00 | N/A |
| RV-IBFS-800-DS | Inbuilt Fridge Slide - flush fitting 800L (Driver Side) <i>Premium drawers only</i> | \$413.00 | \$413.00 |
| RV-IBFS-800-PS | Inbuilt Fridge Slide - flush fitting 800L (Passenger Side) <i>Premium drawers only</i> | \$413.00 | \$413.00 |
| PS/PA-RV-FS-1 | Heavy Duty Fridge Slide - 750L x 455W x 80H (external incl. Travel Lock) | \$472.00 | \$522.00 |
| PS-RV-FS-1-SO | Heavy Duty Fridge Slide - 450L x 770W x 110H (external incl. Travel Lock) | \$472.00 | N/A |
| PS/PA-RV-FS-1.5 | Heavy Duty Fridge Slide - 750L x 530W x 80H (external incl. Travel Lock) | \$520.00 | \$570.00 |
| PS-RV-FS-2-SO | Heavy Duty Fridge Slide - 550L x 870W x 110H (external incl. Travel Lock) | \$567.00 | N/A |
| Rear Cargo Barrier NOT available Travel Slide Drawer Not Available Slimline Drawer available in 700L or 800L only | | | |

| VEHICLE MAKE MODEL | ISUZU D-MAX Dual Cab XS, LS, LS-U, LS-M (OCT 2008 - JUNE 2012) - 1300x970 NO TUB LINER ISUZU | | |
|---|---|---------------|---------------|
| PA: Premium Alloy PS: Premium Steel EL: EcoLite | TRADE HEIGHT DRAWERS +\$100 PER DRAWER | | |
| | PREMBLK: PREMIUM BLACK RRP +180.00 (option) | | |
| | DESCRIPTION (PRICES INCLUDE WING KIT UNLESS OTHERWISE STATED) | PS RRP | PA RRP |
| PS/PA-070101-134827-SSL | Single Drawer & Wing Kit - Standard Height to Passenger Side 1300L x 485W x 275H | \$1,460.00 | \$1,610.00 |
| PS/PA-070101-134827-SSR | Single Drawer & Wing Kit - Standard Height to Driver Side 1300L x 485W x 275H | \$1,460.00 | \$1,610.00 |
| PS/PA-070101-134836-SHL | Single Drawer & Wing Kit - Trade Height to Passenger Side 1300L x 485W x 365H | \$1,560.00 | \$1,710.00 |
| PS/PA-070101-134836-SHR | Single Drawer & Wing Kit - Trade Height to Driver Side 1300L x 485W x 365H | \$1,560.00 | \$1,710.00 |
| EL-070101-139727-TDS | EcoLite Twin Drawer & Wing Kit - Standard Height 1300L x 970W x 275H | \$2,020.00 | N/A |
| PS/PA-070101-139727-TDS | Twin Drawer & Wing Kit - Standard Height 1300L x 970W x 275H | \$2,815.00 | \$3,115.00 |
| PS/PA-070101-139736-TDH | Twin Drawer & Wing Kit - Trade Height 1300L x 970W x 365H | \$3,015.00 | \$3,315.00 |
| PS/PA-070101-139730-FDC-E/D | Fridge Drawer Combo with 30L Engel/Dometic Fitkit - 1300L x 970W x 300H **Fridge not included Liftout Hatch provided to access space behind the fridge (100mm narrower if tie downs added to top) - 483L x 431W | \$2,635.00 | \$2,785.00 |
| PS/PA-070101-139736-FDC-EK | Fridge Drawer Combo with 40L EvaKool Fitkit - 1300L x 970W x 365H **Fridge not included Liftout Hatch provided to access space behind the fridge (100mm narrower if tie downs added to top) - 483L x 560W | \$2,745.00 | \$2,895.00 |
| PS/PA-070101-139736-FDC-IM | Fridge Drawer Combo with 40L Ironman Fitkit - 1300L x 970W x 365H **Fridge not included Liftout Hatch provided to access space behind the fridge (100mm narrower if tie downs added to top) - 483L x 510W | \$2,745.00 | \$2,895.00 |
| PS/PA-070101-139736-FDC-BM | Fridge Drawer Combo with 30L Bushman Fitkit - 1300L x 970W x 365H **Fridge not included Liftout Hatch provided to access space behind the fridge (100mm narrower if tie downs added to top) - 483L x 431W | \$2,745.00 | \$2,895.00 |
| PS/PA-070101-139727-1SL | Easy Access Combo 1 & Wing Kit - Small Low Platform to Passenger Side (Gap size 485W). Single Drawer O/A 1300L x 485W x 275H. Total Combo O/A 1300L x 970W x 275H. (Suits RV-FS-1 *Not Included) | \$2,355.00 | \$2,505.00 |
| PS/PA-070101-139727-1SR | Easy Access Combo 1 & Wing Kit - Small Low Platform to Driver Side (Gap size 485W). Single Drawer O/A 1300L x 485W x 275H. Total Combo O/A 1300L x 970W x 275H. (Suits RV-FS-1 *Not Included) | \$2,355.00 | \$2,505.00 |
| PS/PA-070101-139727-1LL | Easy Access Combo 1 & Wing Kit - Large Low Platform to Passenger Side (Gap size 570W). Single Drawer O/A 1300L x 400W x 275H. Total Combo O/A 1300L x 970W x 275H. (Suits all RV-FS listed below except SO *Not Included) | \$2,355.00 | \$2,505.00 |
| PS/PA-070101-139727-1LR | Easy Access Combo 1 & Wing Kit - Large Low Platform to Driver Side (Gap size 570W). Single Drawer O/A 1300L x 400W x 275H. Total Combo O/A 1300L x 970W x 275H. (Suits all RV-FS listed below except SO *Not Included) | \$2,355.00 | \$2,505.00 |
| PS/PA-070101-139727-2SL | Easy Access Combo 2 & Wing Kit - Small Low Platform to Passenger Side (Gap size 485W). Double Stacked Drawers (Standard Height Bottom Drawer O/A 1300L x 485W x 275H, Trade Height Top Drawer O/A 1000L x 485W x 365H). Total Combo O/A 1300L x 970W x 640H. (Suits RV-FS-1 *Not Included). Optional 1000L Standard Height top drawer minus -\$100.00 | \$3,045.00 | \$3,345.00 |
| PS/PA-070101-139727-2SR | Easy Access Combo 2 & Wing Kit - Small Low Platform to Driver Side (Gap size 485W). Double Stacked Drawers (Standard Height Bottom Drawer O/A 1300L x 485W x 275H, Trade Height Top Drawer O/A 1000L x 485W x 365H). Total Combo O/A 1300L x 970W x 640H. (Suits RV-FS-1 *Not Included). Optional 1000L Standard Height top drawer minus -\$100.00 | \$3,045.00 | \$3,345.00 |
| PS/PA-070101-139727-2LL | Easy Access Combo 2 & Wing Kit - Large Low Platform to Passenger Side (Gap size 570W). Double Stacked Drawers (Standard Height Bottom Drawer O/A 1300L x 400W x 275H, Trade Height Top Drawer O/A 1000L x 400W x 365H). Total Combo O/A 1300L x 970W x 640H. (Suits all RV-FS listed below except SO *Not Included). Optional 1000L Standard Height top drawer minus -\$100.00 | \$3,045.00 | \$3,345.00 |
| PS/PA-070101-139727-2LR | Easy Access Combo 2 & Wing Kit - Large Low Platform to Driver Side (Gap size 570W). Double Stacked Drawers (Standard Height Bottom Drawer O/A 1300L x 400W x 275H, Trade Height Top Drawer O/A 1000L x 400W x 365H). Total Combo O/A 1300L x 970W x 640H. (Suits all RV-FS listed below except SO *Not Included). Optional 1000L Standard Height top drawer minus -\$100.00 | \$3,045.00 | \$3,345.00 |
| RV-EAC-IFP-1300 | Easy Access Combo INFILL PANEL - covers fridge slide cavity to create a flat solid top effect (NOTE: top drawer must be removed on EAC-2 systems) | \$224.00 | N/A |
| RV-CS-0848-00 | Cargo Shelf single - 800L Ventilated side panel and solid top shelf to fit FS-1 (small fridge space) Suits EAC-1 1300L x 970W | \$520.00 | N/A |
| RV-CS-0857-00 | Cargo Shelf single - 800L Ventilated side panel and solid top shelf to fit FS-1.5 & FS-2 (large fridge space) Suits EAC-1 1300L x 970W | \$520.00 | N/A |
| RV-CS-0897-00 | Cargo Shelf double - 800L Ventilated side panel and solid top shelf system. Fits EAC-2 1300L x 970W fitted with a Trade Height top drawer | \$567.00 | N/A |
| RV-IBFS-1300-DS | Inbuilt Fridge Slide - flush fitting 1300L (Driver Side) <i>Premium drawers only</i> | \$472.00 | N/A |
| RV-IBFS-1300-PS | Inbuilt Fridge Slide - flush fitting 1300L (Passenger Side) <i>Premium drawers only</i> | \$472.00 | N/A |
| PS/PA-RV-FS-1 | Heavy Duty Fridge Slide - 750L x 455W x 80H (external incl. Travel Lock) | \$472.00 | \$522.00 |
| PS-RV-FS-1-SO | Heavy Duty Fridge Slide - 450L x 770W x 110H (external incl. Travel Lock) | \$472.00 | N/A |
| PS/PA-RV-FS-1.5 | Heavy Duty Fridge Slide - 750L x 530W x 80H (external incl. Travel Lock) | \$520.00 | \$570.00 |
| PS/PA-RV-FS-2 | Heavy Duty Fridge Slide - 850L x 560W x 80H (external incl. Travel Lock) | \$567.00 | \$617.00 |
| PS-RV-FS-2-SO | Heavy Duty Fridge Slide - 550L x 870W x 110H (external incl. Travel Lock) | \$567.00 | N/A |
| PS/PA-RV-FS-2.25 | Heavy Duty Fridge Slide - 950L x 560W x 80H (external incl. Travel Lock) | \$590.00 | \$640.00 |
| PS/PA-RV-FS-2.5 | Heavy Duty Fridge Slide - 1050L x 560W x 80H (external incl. Travel Lock) | \$685.00 | \$735.00 |

Travel Slide Drawers available on page 181
Inbuilt Fridge Slides N/A for alloy drawers

| VEHICLE MAKE MODEL | ISUZU D-MAX Dual Cab XS, LS (JUNE 2012 - JULY 2020) - 1400x1020 NO TUB LINER | ISUZU | |
|---|---|------------|------------|
| PA: Premium Alloy PS: Premium Steel EL: EcoLite | TRADE HEIGHT DRAWERS +\$100 PER DRAWER | | |
| | PREMBLK: PREMIUM BLACK RRP +180.00 (option) | | |
| | DESCRIPTION (PRICES INCLUDE WING KIT UNLESS OTHERWISE STATED) | PS RRP | PA RRP |
| PS/PA-070201-145127-SSL | Single Drawer & Wing Kit - Standard Height to Passenger Side 1400L x 510W x 275H | \$1,485.00 | \$1,635.00 |
| PS/PA-070201-145127-SSR | Single Drawer & Wing Kit - Standard Height to Driver Side 1400L x 510W x 275H | \$1,485.00 | \$1,635.00 |
| PS/PA-070201-145136-SHL | Single Drawer & Wing Kit - Trade Height to Passenger Side 1400L x 510W x 365H | \$1,585.00 | \$1,735.00 |
| PS/PA-070201-145136-SHR | Single Drawer & Wing Kit - Trade Height to Driver Side 1400L x 510W x 365H | \$1,585.00 | \$1,735.00 |
| EL-070201-141227-TDS | EcoLite Twin Drawer & Wing Kit - Standard Height 1400L x 1020W x 275H | \$2,080.00 | N/A |
| PS/PA-070201-141227-TDS | Twin Drawer & Wing Kit - Standard Height 1400L x 1020W x 275H | \$2,870.00 | \$3,170.00 |
| PS/PA-070201-141236-TDH | Twin Drawer & Wing Kit - Trade Height 1400L x 1020W x 365H | \$3,070.00 | \$3,370.00 |
| PS/PA-070201-141230-FDC-E/D | Fridge Drawer Combo with 30L Engel/Dometic Fitkit - 1400L x 1020W x 300H **Fridge not included Liftout Hatch provided to access space behind the fridge (100mm narrower if tie downs added to top) - 583L x 431W | \$2,690.00 | \$2,840.00 |
| PS/PA-070201-141236-FDC-EK | Fridge Drawer Combo with 40L EvaKool Fitkit - 1400L x 1020W x 365H **Fridge not included Liftout Hatch provided to access space behind the fridge (100mm narrower if tie downs added to top) - 583L x 560W | \$2,800.00 | \$2,950.00 |
| PS/PA-070201-141236-FDC-IM | Fridge Drawer Combo with 40L Ironman Fitkit - 1400L x 1020W x 365H **Fridge not included Liftout Hatch provided to access space behind the fridge (100mm narrower if tie downs added to top) - 583L x 510W | \$2,800.00 | \$2,950.00 |
| PS/PA-070201-141236-FDC-BM | Fridge Drawer Combo with 30L Bushman Fitkit - 1400L x 1020W x 365H **Fridge not included Liftout Hatch provided to access space behind the fridge (100mm narrower if tie downs added to top) - 583L x 431W | \$2,800.00 | \$2,950.00 |
| PS/PA-070201-141227-1SL | Easy Access Combo 1 & Wing Kit - Small Low Platform to Passenger Side (Gap size 510W). Single Drawer O/A 1400L x 510W x 275H. Total Combo O/A 1400L x 1020W x 275H. (Suits RV-FS-1 or 3 *Not Included) | \$2,410.00 | \$2,560.00 |
| PS/PA-070201-141227-1SR | Easy Access Combo 1 & Wing Kit - Small Low Platform to Driver Side (Gap size 510W). Single Drawer O/A 1400L x 510W x 275H. Total Combo O/A 1400L x 1020W x 275H. (Suits RV-FS-1 or 3 *Not Included) | \$2,410.00 | \$2,560.00 |
| PS/PA-070201-141227-1LL | Easy Access Combo 1 & Wing Kit - Large Low Platform to Passenger Side (Gap size 570W). Single Drawer O/A 1400L x 450W x 275H. Total Combo O/A 1400L x 1020W x 275H. (Suits all RV-FS listed below except SO *Not Included) | \$2,410.00 | \$2,560.00 |
| PS/PA-070201-141227-1LR | Easy Access Combo 1 & Wing Kit - Large Low Platform to Driver Side (Gap size 570W). Single Drawer O/A 1400L x 450W x 275H. Total Combo O/A 1400L x 1020W x 275H. (Suits all RV-FS listed below except SO *Not Included) | \$2,410.00 | \$2,560.00 |
| PS/PA-070201-141227-2SL | Easy Access Combo 2 & Wing Kit - Small Low Platform to Passenger Side (Gap size 510W). Double Stacked Drawers (Standard Height Bottom Drawer O/A 1400L x 510W x 275H, Trade Height Top Drawer O/A 1100L x 510W x 365H). Total Combo O/A 1400L x 1020W x 640H. (Suits RV-FS-1 or 3 *Not Included). Optional 1100L Standard Height top drawer minus -\$100.00 | \$3,100.00 | \$3,400.00 |
| PS/PA-070201-141227-2SR | Easy Access Combo 2 & Wing Kit - Small Low Platform to Driver Side (Gap size 510W). Double Stacked Drawers (Standard Height Bottom Drawer O/A 1400L x 510W x 275H, Trade Height Top Drawer O/A 1100L x 510W x 365H). Total Combo O/A 1400L x 1020W x 640H. (Suits RV-FS-1 or 3 *Not Included). Optional 1100L Standard Height top drawer minus -\$100.00 | \$3,100.00 | \$3,400.00 |
| PS/PA-070201-141227-2LL | Easy Access Combo 2 & Wing Kit - Large Low Platform to Passenger Side (Gap size 570W). Double Stacked Drawers (Standard Height Bottom Drawer O/A 1400L x 450W x 275H, Trade Height Top Drawer O/A 1100L x 450W x 365H). Total Combo O/A 1400L x 1020W x 640H. (Suits all RV-FS listed below except SO *Not Included). Optional 1100L Standard Height top drawer minus -\$100.00 | \$3,100.00 | \$3,400.00 |
| PS/PA-070201-141227-2LR | Easy Access Combo 2 & Wing Kit - Large Low Platform to Driver Side (Gap size 570W). Double Stacked Drawers (Standard Height Bottom Drawer O/A 1400L x 450W x 275H, Trade Height Top Drawer O/A 1100L x 450W x 365H). Total Combo O/A 1400L x 1020W x 640H. (Suits all RV-FS listed below except SO *Not Included). Optional 1100L Standard Height top drawer minus -\$100.00 | \$3,100.00 | \$3,400.00 |
| RV-EAC-IFP-1400 | Easy Access Combo INFILL PANEL - covers fridge slide cavity to create a flat solid top effect (NOTE: top drawer must be removed on EAC-2 systems) | \$224.00 | N/A |
| RV-CS-1451-00 | Cargo Shelf single - 1400L Ventilated side panel and solid top shelf to fit FS-1 (small fridge space) Suits EAC-1 1400L x 1020W | \$803.00 | N/A |
| RV-CS-1457-00 | Cargo Shelf single - 1400L Ventilated side panel and solid top shelf to fit FS-1.5 & FS-2 (large fridge space) Suits EAC-1 1400L x 1020W | \$803.00 | N/A |
| RV-CS-0812-00 | Cargo Shelf double - 800L Ventilated side panel and solid top shelf system. Fits EAC-2 1400L x 1020W fitted with a Trade Height top drawer | \$567.00 | N/A |
| RV-IBFS-1300-DS | Inbuilt Fridge Slide - flush fitting 1300L (Driver Side) Premium drawers only | \$472.00 | N/A |
| RV-IBFS-1300-PS | Inbuilt Fridge Slide - flush fitting 1300L (Passenger Side) Premium drawers only | \$472.00 | N/A |
| PS/PA-RV-FS-1 | Heavy Duty Fridge Slide - 750L x 455W x 80H (external incl. Travel Lock) | \$472.00 | \$522.00 |
| PS-RV-FS-1-SO | Heavy Duty Fridge Slide - 450L x 770W x 110H (external incl. Travel Lock) | \$472.00 | N/A |
| PS/PA-RV-FS-1.5 | Heavy Duty Fridge Slide - 750L x 530W x 80H (external incl. Travel Lock) | \$520.00 | \$570.00 |
| PS/PA-RV-FS-2 | Heavy Duty Fridge Slide - 850L x 560W x 80H (external incl. Travel Lock) | \$567.00 | \$617.00 |
| PS-RV-FS-2-SO | Heavy Duty Fridge Slide - 550L x 870W x 110H (external incl. Travel Lock) | \$567.00 | N/A |
| PS/PA-RV-FS-2.25 | Heavy Duty Fridge Slide - 950L x 560W x 80H (external incl. Travel Lock) | \$590.00 | \$640.00 |
| PS/PA-RV-FS-2.5 | Heavy Duty Fridge Slide - 1050L x 560W x 80H (external incl. Travel Lock) | \$685.00 | \$735.00 |
| PS/PA-RV-FS-3 | Heavy Duty Fridge Slide - 1410L x 455W x 80H (external incl. Travel Lock) | \$886.00 | \$961.00 |
| PS/PA-RV-FS-3.5 | Heavy Duty Fridge Slide - 1410L x 560W x 80H (external incl. Travel Lock) | \$886.00 | \$961.00 |

Travel Slide Drawers available on page 181
Inbuilt Fridge Slides N/A for alloy drawers

| VEHICLE MAKE MODEL | ISUZU D-MAX Dual Cab XS, LS (JUNE 2012 - JULY 2020) - 1400x1020 GENUINE LINER | ISUZU | |
|---|--|------------|------------|
| PA: Premium Alloy PS: Premium Steel EL: EcoLite | TRADE HEIGHT DRAWERS +\$100 PER DRAWER | | |
| | PREMBLK: PREMIUM BLACK RRP +180.00 (option) | | |
| | DESCRIPTION (PRICES INCLUDE WING KIT UNLESS OTHERWISE STATED) | PS RRP | PA RRP |
| PS/PA-070204-145127-SSL | Single Drawer & Wing Kit - Standard Height to Passenger Side 1400L x 510W x 275H | \$1,485.00 | \$1,635.00 |
| PS/PA-070204-145127-SSR | Single Drawer & Wing Kit - Standard Height to Driver Side 1400L x 510W x 275H | \$1,485.00 | \$1,635.00 |
| PS/PA-070204-145136-SHL | Single Drawer & Wing Kit - Trade Height to Passenger Side 1400L x 510W x 365H | \$1,585.00 | \$1,735.00 |
| PS/PA-070204-145136-SHR | Single Drawer & Wing Kit - Trade Height to Driver Side 1400L x 510W x 365H | \$1,585.00 | \$1,735.00 |
| EL-070204-141227-TDS | EcoLite Twin Drawer & Wing Kit - Standard Height 1400L x 1020W x 275H | \$2,080.00 | N/A |
| PS/PA-070204-141227-TDS | Twin Drawer & Wing Kit - Standard Height 1400L x 1020W x 275H | \$2,870.00 | \$3,170.00 |
| PS/PA-070204-141236-TDH | Twin Drawer & Wing Kit - Trade Height 1400L x 1020W x 365H | \$3,070.00 | \$3,370.00 |
| PS/PA-070204-141230-FDC-E/D | Fridge Drawer Combo with 30L Engel/Dometic Fitkit - 1400L x 1020W x 300H **Fridge not included Liftout Hatch provided to access space behind the fridge (100mm narrower if tie downs added to top) - 583L x 431W | \$2,690.00 | \$2,840.00 |
| PS/PA-070204-141236-FDC-EK | Fridge Drawer Combo with 40L EvaKool Fitkit - 1400L x 1020W x 365H **Fridge not included Liftout Hatch provided to access space behind the fridge (100mm narrower if tie downs added to top) - 583L x 560W | \$2,800.00 | \$2,950.00 |
| PS/PA-070204-141236-FDC-IM | Fridge Drawer Combo with 40L Ironman Fitkit - 1400L x 1020W x 365H **Fridge not included Liftout Hatch provided to access space behind the fridge (100mm narrower if tie downs added to top) - 583L x 510W | \$2,800.00 | \$2,950.00 |
| PS/PA-070204-141236-FDC-BM | Fridge Drawer Combo with 30L Bushman Fitkit - 1400L x 1020W x 365H **Fridge not included Liftout Hatch provided to access space behind the fridge (100mm narrower if tie downs added to top) - 583L x 431W | \$2,800.00 | \$2,950.00 |
| PS/PA-070204-141227-1SL | Easy Access Combo 1 & Wing Kit - Small Low Platform to Passenger Side (Gap size 510W). Single Drawer O/A 1400L x 510W x 275H. Total Combo O/A 1400L x 1020W x 275H. (Suits RV-FS-1 or 3 *Not Included) | \$2,410.00 | \$2,560.00 |
| PS/PA-070204-141227-1SR | Easy Access Combo 1 & Wing Kit - Small Low Platform to Driver Side (Gap size 510W). Single Drawer O/A 1400L x 510W x 275H. Total Combo O/A 1400L x 1020W x 275H. (Suits RV-FS-1 or 3 *Not Included) | \$2,410.00 | \$2,560.00 |
| PS/PA-070204-141227-1LL | Easy Access Combo 1 & Wing Kit - Large Low Platform to Passenger Side (Gap size 570W). Single Drawer O/A 1400L x 450W x 275H. Total Combo O/A 1400L x 1020W x 275H. (Suits all RV-FS listed below except SO *Not Included) | \$2,410.00 | \$2,560.00 |
| PS/PA-070204-141227-1LR | Easy Access Combo 1 & Wing Kit - Large Low Platform to Driver Side (Gap size 570W). Single Drawer O/A 1400L x 450W x 275H. Total Combo O/A 1400L x 1020W x 275H. (Suits all RV-FS listed below except SO *Not Included) | \$2,410.00 | \$2,560.00 |
| PS/PA-070204-141227-2SL | Easy Access Combo 2 & Wing Kit - Small Low Platform to Passenger Side (Gap size 510W). Double Stacked Drawers (Standard Height Bottom Drawer O/A 1400L x 510W x 275H, Trade Height Top Drawer O/A 1100L x 510W x 365H). Total Combo O/A 1400L x 1020W x 640H. (Suits RV-FS-1 or 3 *Not Included). Optional 1100L Standard Height top drawer minus -\$100.00 | \$3,100.00 | \$3,400.00 |
| PS/PA-070204-141227-2SR | Easy Access Combo 2 & Wing Kit - Small Low Platform to Driver Side (Gap size 510W). Double Stacked Drawers (Standard Height Bottom Drawer O/A 1400L x 510W x 275H, Trade Height Top Drawer O/A 1100L x 510W x 365H). Total Combo O/A 1400L x 1020W x 640H. (Suits RV-FS-1 or 3 *Not Included). Optional 1100L Standard Height top drawer minus -\$100.00 | \$3,100.00 | \$3,400.00 |
| PS/PA-070204-141227-2LL | Easy Access Combo 2 & Wing Kit - Large Low Platform to Passenger Side (Gap size 570W). Double Stacked Drawers (Standard Height Bottom Drawer O/A 1400L x 450W x 275H, Trade Height Top Drawer O/A 1100L x 450W x 365H). Total Combo O/A 1400L x 1020W x 640H. (Suits all RV-FS listed below except SO *Not Included). Optional 1100L Standard Height top drawer minus -\$100.00 | \$3,100.00 | \$3,400.00 |
| PS/PA-070204-141227-2LR | Easy Access Combo 2 & Wing Kit - Large Low Platform to Driver Side (Gap size 570W). Double Stacked Drawers (Standard Height Bottom Drawer O/A 1400L x 450W x 275H, Trade Height Top Drawer O/A 1100L x 450W x 365H). Total Combo O/A 1400L x 1020W x 640H. (Suits all RV-FS listed below except SO *Not Included). Optional 1100L Standard Height top drawer minus -\$100.00 | \$3,100.00 | \$3,400.00 |
| RV-EAC-IFP-1400 | Easy Access Combo INFILL PANEL - covers fridge slide cavity to create a flat solid top effect (NOTE: top drawer must be removed on EAC-2 systems) | \$224.00 | N/A |
| RV-CS-1451-00 | Cargo Shelf single - 1400L Ventilated side panel and solid top shelf to fit FS-1 (small fridge space) Suits EAC-1 1400L x 1020W | \$803.00 | N/A |
| RV-CS-1457-00 | Cargo Shelf single - 1400L Ventilated side panel and solid top shelf to fit FS-1.5 & FS-2 (large fridge space) Suits EAC-1 1400L x 1020W | \$803.00 | N/A |
| RV-CS-0812-00 | Cargo Shelf double - 800L Ventilated side panel and solid top shelf system. Fits EAC-2 1400L x 1020W fitted with a Trade Height top drawer | \$567.00 | N/A |
| RV-IBFS-1300-DS | Inbuilt Fridge Slide - flush fitting 1300L (Driver Side) Premium drawers only | \$472.00 | N/A |
| RV-IBFS-1300-PS | Inbuilt Fridge Slide - flush fitting 1300L (Passenger Side) Premium drawers only | \$472.00 | N/A |
| PS/PA-RV-FS-1 | Heavy Duty Fridge Slide - 750L x 455W x 80H (external incl. Travel Lock) | \$472.00 | \$522.00 |
| PS-RV-FS-1-SO | Heavy Duty Fridge Slide - 450L x 770W x 110H (external incl. Travel Lock) | \$472.00 | N/A |
| PS/PA-RV-FS-1.5 | Heavy Duty Fridge Slide - 750L x 530W x 80H (external incl. Travel Lock) | \$520.00 | \$570.00 |
| PS/PA-RV-FS-2 | Heavy Duty Fridge Slide - 850L x 560W x 80H (external incl. Travel Lock) | \$567.00 | \$617.00 |
| PS-RV-FS-2-SO | Heavy Duty Fridge Slide - 550L x 870W x 110H (external incl. Travel Lock) | \$567.00 | N/A |
| PS/PA-RV-FS-2.25 | Heavy Duty Fridge Slide - 950L x 560W x 80H (external incl. Travel Lock) | \$590.00 | \$640.00 |
| PS/PA-RV-FS-2.5 | Heavy Duty Fridge Slide - 1050L x 560W x 80H (external incl. Travel Lock) | \$685.00 | \$735.00 |
| PS/PA-RV-FS-3 | Heavy Duty Fridge Slide - 1410L x 455W x 80H (external incl. Travel Lock) | \$886.00 | \$961.00 |
| PS/PA-RV-FS-3.5 | Heavy Duty Fridge Slide - 1410L x 560W x 80H (external incl. Travel Lock) | \$886.00 | \$961.00 |
| Travel Slide Drawers available on page 181 | | | |
| Inbuilt Fridge Slides N/A for alloy drawers | | | |

| VEHICLE MAKE MODEL | ISUZU D-MAX Space Cab SX, LS-U (JUNE 2012 - JULY 2020) - 1700x1020 NO TUB LINER | ISUZU | |
|---|--|------------|----------|
| PA: Premium Alloy PS: Premium Steel EL: EcoLite | ALLOY DRAWERS: N/A / TRADE HEIGHT DRAWERS +\$100 PER DRAWER | | |
| | PREMBLK: PREMIUM BLACK RRP +180.00 (option) | | |
| | DESCRIPTION (PRICES INCLUDE WING KIT UNLESS OTHERWISE STATED) | PS RRP | PA RRP |
| PS-070202-175127-SSL | Single Drawer & Wing Kit - Standard Height to Passenger Side 1700L x 510W x 275H | \$1,625.00 | N/A |
| PS-070202-175127-SSR | Single Drawer & Wing Kit - Standard Height to Driver Side 1700L x 510W x 275H | \$1,625.00 | N/A |
| PS-070202-175136-SHL | Single Drawer & Wing Kit - Trade Height to Passenger Side 1700L x 510W x 365H | \$1,725.00 | N/A |
| PS-070202-175136-SHR | Single Drawer & Wing Kit - Trade Height to Driver Side 1700L x 510W x 365H | \$1,725.00 | N/A |
| EL-070202-171227-TDS | EcoLite Twin Drawer & Wing Kit - Standard Height 1700L x 1020W x 275H | \$2,270.00 | N/A |
| PS-070202-171227-TDS | Twin Drawer & Wing Kit - Standard Height 1700L x 1020W x 275H | \$3,145.00 | N/A |
| PS-070202-171236-TDH | Twin Drawer & Wing Kit - Trade Height 1700L x 1020W x 365H | \$3,345.00 | N/A |
| PS-070202-171230-FDC-E/D | Fridge Drawer Combo with 30L Engel/Dometic Fitkit - 1700L x 1020W x 300H **Fridge not included Liftout Hatch provided to access space behind the fridge (100mm narrower if tie downs added to top) - 883L x 431W | \$2,855.00 | N/A |
| PS-070202-171236-FDC-EK | Fridge Drawer Combo with 40L EvaKool Fitkit - 1700L x 1020W x 365H **Fridge not included Liftout Hatch provided to access space behind the fridge (100mm narrower if tie downs added to top) - 883L x 560W | \$2,965.00 | N/A |
| PS-070202-171236-FDC-IM | Fridge Drawer Combo with 40L Ironman Fitkit - 1700L x 1020W x 365H **Fridge not included Liftout Hatch provided to access space behind the fridge (100mm narrower if tie downs added to top) - 883L x 510W | \$2,965.00 | N/A |
| PS-070202-171236-FDC-BM | Fridge Drawer Combo with 30L Bushman Fitkit - 1700L x 1020W x 365H **Fridge not included Liftout Hatch provided to access space behind the fridge (100mm narrower if tie downs added to top) - 883L x 431W | \$2,965.00 | N/A |
| PS-070202-171227-1SL | Easy Access Combo 1 & Wing Kit - Small Low Platform to Passenger Side (Gap size 510W). Single Drawer O/A 1700L x 510W x 275H. Total Combo O/A 1700L x 1020W x 275H. (Suits RV-FS-1 or 3 *Not Included) | \$2,630.00 | N/A |
| PS-070202-171227-1SR | Easy Access Combo 1 & Wing Kit - Small Low Platform to Driver Side (Gap size 510W). Single Drawer O/A 1700L x 510W x 275H. Total Combo O/A 1700L x 1020W x 275H. (Suits RV-FS-1 or 3 *Not Included) | \$2,630.00 | N/A |
| PS-070202-171227-1LL | Easy Access Combo 1 & Wing Kit - Large Low Platform to Passenger Side (Gap size 570W). Single Drawer O/A 1700L x 450W x 275H. Total Combo O/A 1700L x 1020W x 275H. (Suits all RV-FS listed below except SO *Not Included) | \$2,630.00 | N/A |
| PS-070202-171227-1LR | Easy Access Combo 1 & Wing Kit - Large Low Platform to Driver Side (Gap size 570W). Single Drawer O/A 1700L x 450W x 275H. Total Combo O/A 1700L x 1020W x 275H. (Suits all RV-FS listed below except SO *Not Included) | \$2,630.00 | N/A |
| PS-070202-171227-2SL | Easy Access Combo 2 & Wing Kit - Small Low Platform to Passenger Side (Gap size 510W). Double Stacked Drawers (Standard Height Bottom Drawer O/A 1700L x 510W x 275H, Trade Height Top Drawer O/A 1400L x 510W x 365H). Total Combo O/A 1700L x 1020W x 640H. (Suits RV-FS-1 or 3 *Not Included). Optional 1400L Standard Height top drawer minus -\$100.00 | \$3,375.00 | N/A |
| PS-070202-171227-2SR | Easy Access Combo 2 & Wing Kit - Small Low Platform to Driver Side (Gap size 510W). Double Stacked Drawers (Standard Height Bottom Drawer O/A 1700L x 510W x 275H, Trade Height Top Drawer O/A 1400L x 510W x 365H). Total Combo O/A 1700L x 1020W x 640H. (Suits RV-FS-1 or 3 *Not Included). Optional 1400L Standard Height top drawer minus -\$100.00 | \$3,375.00 | N/A |
| PS-070202-171227-2LL | Easy Access Combo 2 & Wing Kit - Large Low Platform to Passenger Side (Gap size 570W). Double Stacked Drawers (Standard Height Bottom Drawer O/A 1700L x 450W x 275H, Trade Height Top Drawer O/A 1400L x 450W x 365H). Total Combo O/A 1700L x 1020W x 640H. (Suits all RV-FS listed below except SO *Not Included). Optional 1400L Standard Height top drawer minus -\$100.00 | \$3,375.00 | N/A |
| PS-070202-171227-2LR | Easy Access Combo 2 & Wing Kit - Large Low Platform to Driver Side (Gap size 570W). Double Stacked Drawers (Standard Height Bottom Drawer O/A 1700L x 450W x 275H, Trade Height Top Drawer O/A 1400L x 450W x 365H). Total Combo O/A 1700L x 1020W x 640H. (Suits all RV-FS listed below except SO *Not Included). Optional 1400L Standard Height top drawer minus -\$100.00 | \$3,375.00 | N/A |
| RV-EAC-IFP-1700 | Easy Access Combo INFILL PANEL - covers fridge slide cavity to create a flat solid top effect (NOTE: top drawer must be removed on EAC-2 systems) | \$272.00 | N/A |
| RV-CS-1451-00 | Cargo Shelf single - 1400L Ventilated side panel and solid top shelf to fit FS-1 (small fridge space) Suits EAC-1 1400L x 1020W | \$803.00 | N/A |
| RV-CS-1457-00 | Cargo Shelf single - 1400L Ventilated side panel and solid top shelf to fit FS-1.5 & FS-2 (large fridge space) Suits EAC-1 1400L x 1020W | \$803.00 | N/A |
| RV-CS-0812-00 | Cargo Shelf double - 800L Ventilated side panel and solid top shelf system. Fits EAC-2 1400L x 1020W fitted with a Trade Height top drawer | \$567.00 | N/A |
| RV-IBFS-1300-DS | Inbuilt Fridge Slide - flush fitting 1300L (Driver Side) Premium drawers only | \$472.00 | N/A |
| RV-IBFS-1300-PS | Inbuilt Fridge Slide - flush fitting 1300L (Passenger Side) Premium drawers only | \$472.00 | N/A |
| PS/PA-RV-FS-1 | Heavy Duty Fridge Slide - 750L x 455W x 80H (external incl. Travel Lock) | \$472.00 | \$522.00 |
| PS-RV-FS-1-SO | Heavy Duty Fridge Slide - 450L x 770W x 110H (external incl. Travel Lock) | \$472.00 | N/A |
| PS/PA-RV-FS-1.5 | Heavy Duty Fridge Slide - 750L x 530W x 80H (external incl. Travel Lock) | \$520.00 | \$570.00 |
| PS/PA-RV-FS-2 | Heavy Duty Fridge Slide - 850L x 560W x 80H (external incl. Travel Lock) | \$567.00 | \$617.00 |
| PS-RV-FS-2-SO | Heavy Duty Fridge Slide - 550L x 870W x 110H (external incl. Travel Lock) | \$567.00 | N/A |
| PS/PA-RV-FS-2.25 | Heavy Duty Fridge Slide - 950L x 560W x 80H (external incl. Travel Lock) | \$590.00 | \$640.00 |
| PS/PA-RV-FS-2.5 | Heavy Duty Fridge Slide - 1050L x 560W x 80H (external incl. Travel Lock) | \$685.00 | \$735.00 |
| PS/PA-RV-FS-3 | Heavy Duty Fridge Slide - 1410L x 455W x 80H (external incl. Travel Lock) | \$886.00 | \$961.00 |
| PS/PA-RV-FS-3.5 | Heavy Duty Fridge Slide - 1410L x 560W x 80H (external incl. Travel Lock) | \$886.00 | \$961.00 |

Travel Slide Drawers available on page 181

| VEHICLE MAKE MODEL | ISUZU D-MAX Dual Cab SX, LS-U, LS-M, X-TERRAIN (JULY 2020+) - 1400x1020 NO LINER, NO ROLLOUT | | |
|---|---|------------|------------|
| PA: Premium Alloy PS: Premium Steel EL: EcoLite | TRADE HEIGHT DRAWERS +\$100 PER DRAWER PREMBLK: PREMIUM BLACK RRP +180.00 (option) | | |
| | DESCRIPTION (PRICES INCLUDE WING KIT UNLESS OTHERWISE STATED) | PS RRP | PA RRP |
| PS/PA-070301A-145127-SSL | Single Drawer & Wing Kit - Standard Height to Passenger Side 1400L x 510W x 275H | \$1,485.00 | \$1,635.00 |
| PS/PA-070301A-145127-SSR | Single Drawer & Wing Kit - Standard Height to Driver Side 1400L x 510W x 275H | \$1,485.00 | \$1,635.00 |
| PS/PA-070301A-145136-SHL | Single Drawer & Wing Kit - Trade Height to Passenger Side 1400L x 510W x 365H | \$1,585.00 | \$1,735.00 |
| PS/PA-070301A-145136-SHR | Single Drawer & Wing Kit - Trade Height to Driver Side 1400L x 510W x 365H | \$1,585.00 | \$1,735.00 |
| EL-070301A-141227-TDS | EcoLite Twin Drawer & Wing Kit - Standard Height 1400L x 1020W x 275H | \$2,080.00 | N/A |
| PS/PA-070301A-141227-TDS | Twin Drawer & Wing Kit - Standard Height 1400L x 1020W x 275H | \$2,870.00 | \$3,170.00 |
| PS/PA-070301A-141236-TDH | Twin Drawer & Wing Kit - Trade Height 1400L x 1020W x 365H | \$3,070.00 | \$3,370.00 |
| PS/PA-070301A-141230-FDC-E/D | Fridge Drawer Combo with 30L Engel/Dometic Fitkit - 1400L x 1020W x 300H **Fridge not included Liftout Hatch provided to access space behind the fridge (100mm narrower if tie downs added to top) - 583L x 431W | \$2,690.00 | \$2,840.00 |
| PS/PA-070301A-141236-FDC-EK | Fridge Drawer Combo with 40L EvaKool Fitkit - 1400L x 1020W x 365H **Fridge not included Liftout Hatch provided to access space behind the fridge (100mm narrower if tie downs added to top) - 583L x 560W | \$2,800.00 | \$2,950.00 |
| PS/PA-070301A-141236-FDC-IM | Fridge Drawer Combo with 40L Ironman Fitkit - 1400L x 1020W x 365H **Fridge not included Liftout Hatch provided to access space behind the fridge (100mm narrower if tie downs added to top) - 583L x 510W | \$2,800.00 | \$2,950.00 |
| PS/PA-070301A-141236-FDC-BM | Fridge Drawer Combo with 30L Bushman Fitkit - 1400L x 1020W x 365H **Fridge not included Liftout Hatch provided to access space behind the fridge (100mm narrower if tie downs added to top) - 583L x 431W | \$2,800.00 | \$2,950.00 |
| PS/PA-070301A-141227-1SL | Easy Access Combo 1 & Wing Kit - Small Low Platform to Passenger Side (Gap size 510W). Single Drawer O/A 1400L x 510W x 275H. Total Combo O/A 1400L x 1020W x 275H. (Suits RV-FS-1 or 3 *Not Included) | \$2,410.00 | \$2,560.00 |
| PS/PA-070301A-141227-1SR | Easy Access Combo 1 & Wing Kit - Small Low Platform to Driver Side (Gap size 510W). Single Drawer O/A 1400L x 510W x 275H. Total Combo O/A 1400L x 1020W x 275H. (Suits RV-FS-1 or 3 *Not Included) | \$2,410.00 | \$2,560.00 |
| PS/PA-070301A-141227-1LL | Easy Access Combo 1 & Wing Kit - Large Low Platform to Passenger Side (Gap size 570W). Single Drawer O/A 1400L x 450W x 275H. Total Combo O/A 1400L x 1020W x 275H. (Suits all RV-FS listed below except SO *Not Included) | \$2,410.00 | \$2,560.00 |
| PS/PA-070301A-141227-1LR | Easy Access Combo 1 & Wing Kit - Large Low Platform to Driver Side (Gap size 570W). Single Drawer O/A 1400L x 450W x 275H. Total Combo O/A 1400L x 1020W x 275H. (Suits all RV-FS listed below except SO *Not Included) | \$2,410.00 | \$2,560.00 |
| PS/PA-070301A-141227-2SL | Easy Access Combo 2 & Wing Kit - Small Low Platform to Passenger Side (Gap size 510W). Double Stacked Drawers (Standard Height Bottom Drawer O/A 1400L x 510W x 275H, Trade Height Top Drawer O/A 1100L x 510W x 365H). Total Combo O/A 1400L x 1020W x 640H. (Suits RV-FS-1 or 3 *Not Included). Optional 1100L Standard Height top drawer minus -\$100.00 | \$3,100.00 | \$3,400.00 |
| PS/PA-070301A-141227-2SR | Easy Access Combo 2 & Wing Kit - Small Low Platform to Driver Side (Gap size 510W). Double Stacked Drawers (Standard Height Bottom Drawer O/A 1400L x 510W x 275H, Trade Height Top Drawer O/A 1100L x 510W x 365H). Total Combo O/A 1400L x 1020W x 640H. (Suits RV-FS-1 or 3 *Not Included). Optional 1100L Standard Height top drawer minus -\$100.00 | \$3,100.00 | \$3,400.00 |
| PS/PA-070301A-141227-2LL | Easy Access Combo 2 & Wing Kit - Large Low Platform to Passenger Side (Gap size 570W). Double Stacked Drawers (Standard Height Bottom Drawer O/A 1400L x 450W x 275H, Trade Height Top Drawer O/A 1100L x 450W x 365H). Total Combo O/A 1400L x 1020W x 640H. (Suits all RV-FS listed below except SO *Not Included). Optional 1100L Standard Height top drawer minus -\$100.00 | \$3,100.00 | \$3,400.00 |
| PS/PA-070301A-141227-2LR | Easy Access Combo 2 & Wing Kit - Large Low Platform to Driver Side (Gap size 570W). Double Stacked Drawers (Standard Height Bottom Drawer O/A 1400L x 450W x 275H, Trade Height Top Drawer O/A 1100L x 450W x 365H). Total Combo O/A 1400L x 1020W x 640H. (Suits all RV-FS listed below except SO *Not Included). Optional 1100L Standard Height top drawer minus -\$100.00 | \$3,100.00 | \$3,400.00 |
| RV-EAC-IFP-1400 | Easy Access Combo INFILL PANEL - covers fridge slide cavity to create a flat solid top effect (NOTE: top drawer must be removed on EAC-2 systems) | \$224.00 | N/A |
| RV-CS-1451-00 | Cargo Shelf single - 1400L Ventilated side panel and solid top shelf to fit FS-1 (small fridge space) Suits EAC-1 1400L x 1020W | \$803.00 | N/A |
| RV-CS-1457-00 | Cargo Shelf single - 1400L Ventilated side panel and solid top shelf to fit FS-1.5 & FS-2 (large fridge space) Suits EAC-1 1400L x 1020W | \$803.00 | N/A |
| RV-CS-0812-00 | Cargo Shelf double - 800L Ventilated side panel and solid top shelf system. Fits EAC-2 1400L x 1020W fitted with a Trade Height top drawer | \$567.00 | N/A |
| RV-IBFS-1300-DS | Inbuilt Fridge Slide - flush fitting 1300L (Driver Side) Premium drawers only | \$472.00 | N/A |
| RV-IBFS-1300-PS | Inbuilt Fridge Slide - flush fitting 1300L (Passenger Side) Premium drawers only | \$472.00 | N/A |
| PS/PA-RV-FS-1 | Heavy Duty Fridge Slide - 750L x 455W x 80H (external incl. Travel Lock) | \$472.00 | \$522.00 |
| PS-RV-FS-1-SO | Heavy Duty Fridge Slide - 450L x 770W x 110H (external incl. Travel Lock) | \$472.00 | N/A |
| PS/PA-RV-FS-1.5 | Heavy Duty Fridge Slide - 750L x 530W x 80H (external incl. Travel Lock) | \$520.00 | \$570.00 |
| PS/PA-RV-FS-2 | Heavy Duty Fridge Slide - 850L x 560W x 80H (external incl. Travel Lock) | \$567.00 | \$617.00 |
| PS-RV-FS-2-SO | Heavy Duty Fridge Slide - 550L x 870W x 110H (external incl. Travel Lock) | \$567.00 | N/A |
| PS/PA-RV-FS-2.25 | Heavy Duty Fridge Slide - 950L x 560W x 80H (external incl. Travel Lock) | \$590.00 | \$640.00 |
| PS/PA-RV-FS-2.5 | Heavy Duty Fridge Slide - 1050L x 560W x 80H (external incl. Travel Lock) | \$685.00 | \$735.00 |
| PS/PA-RV-FS-3 | Heavy Duty Fridge Slide - 1410L x 455W x 80H (external incl. Travel Lock) | \$886.00 | \$961.00 |
| PS/PA-RV-FS-3.5 | Heavy Duty Fridge Slide - 1410L x 560W x 80H (external incl. Travel Lock) | \$886.00 | \$961.00 |
| Travel Slide Drawers available on page 181 Inbuilt Fridge Slides N/A for alloy drawers | | | |

| VEHICLE MAKE MODEL | ISUZU D-MAX Dual Cab SX, LS-U, LS-M, X-TERRAIN (JULY 2020+) - 1400x1020 / 1100x1020 NO LINER WITH ROLLOUTOP | ISUZU | |
|---|---|------------|------------|
| PA: Premium Alloy PS: Premium Steel EL: EcoLite | TRADE HEIGHT DRAWERS +\$100 PER DRAWER | | |
| | PREMBLK: PREMIUM BLACK RRP +180.00 (option) | | |
| | DESCRIPTION (PRICES INCLUDE WING KIT UNLESS OTHERWISE STATED) | PS RRP | PA RRP |
| PS/PA-070301B-145127-SSL | Single Drawer & Wing Kit - Standard Height to Passenger Side 1400L x 510W x 275H | \$1,485.00 | \$1,635.00 |
| PS/PA-070301B-145127-SSR | Single Drawer & Wing Kit - Standard Height to Driver Side 1400L x 510W x 275H | \$1,485.00 | \$1,635.00 |
| PS/PA-070301B-115136-SHL | Single Drawer & Wing Kit - Trade Height to Passenger Side 1100L x 510W x 365H | \$1,515.00 | \$1,665.00 |
| PS/PA-070301B-115136-SHR | Single Drawer & Wing Kit - Trade Height to Driver Side 1100L x 510W x 365H | \$1,515.00 | \$1,665.00 |
| EL-070301B-141227-TDS | EcoLite Twin Drawer & Wing Kit - Standard Height 1400L x 1020W x 275H | \$2,080.00 | N/A |
| PS/PA-070301B-141227-TDS | Twin Drawer & Wing Kit - Standard Height 1400L x 1020W x 275H | \$2,870.00 | \$3,170.00 |
| PS/PA-070301B-111236-TDH | Twin Drawer & Wing Kit - Trade Height 1100L x 1020W x 365H | \$2,925.00 | \$3,225.00 |
| PS/PA-070301B-141230-FDC-E/D | Fridge Drawer Combo with 30L Engel/Dometic Fitkit - 1400L x 1020W x 300H **Fridge not included Liftout Hatch provided to access space behind the fridge (100mm narrower if tie downs added to top) - 583L x 431W | \$2,690.00 | \$2,840.00 |
| PS/PA-070301B-111236-FDC-EK | Fridge Drawer Combo with 40L EvaKool Fitkit - 1100L x 1020W x 365H **Fridge not included Liftout Hatch provided to access space behind the fridge (100mm narrower if tie downs added to top) - 283L x 560W | \$2,745.00 | \$2,895.00 |
| PS/PA-070301B-111236-FDC-IM | Fridge Drawer Combo with 40L Ironman Fitkit - 1100L x 1020W x 365H **Fridge not included Liftout Hatch provided to access space behind the fridge (100mm narrower if tie downs added to top) - 283L x 510W | \$2,745.00 | \$2,895.00 |
| PS/PA-070301B-111236-FDC-BM | Fridge Drawer Combo with 30L Bushman Fitkit - 1100L x 1020W x 365H **Fridge not included Liftout Hatch provided to access space behind the fridge (100mm narrower if tie downs added to top) - 283L x 431W | \$2,745.00 | \$2,895.00 |
| PS/PA-070301B-141227-1SL | Easy Access Combo 1 Standard Height & Wing Kit - Small Low Platform to Passenger Side (Gap size 510W). Single Drawer Standard Height O/A 1400L x 510W x 275H. Total Combo O/A 1400L x 1020W x 275H. (Suits RV-FS-1 or 3 *Not Included) | \$2,410.00 | \$2,560.00 |
| PS/PA-070301B-141227-1SR | Easy Access Combo 1 Standard Height & Wing Kit - Small Low Platform to driver Side (Gap size 510W). Single Drawer Standard Height O/A 1400L x 450W x 275H. Total Combo O/A 1400L x 1020W x 275H. (Suits RV-FS-1 or 3 *Not Included) | \$2,410.00 | \$2,560.00 |
| PS/PA-070301B-141227-1LL | Easy Access Combo 1 Standard Height & Wing Kit - Large Low Platform to Passenger Side (Gap size 570W). Single Drawer Standard Height O/A 1400L x 450W x 275H. Total Combo O/A 1400L x 1020W x 275H. (Suits all RV-FS listed below except SO *Not Included) | \$2,410.00 | \$2,560.00 |
| PS/PA-070301B-141227-1LR | Easy Access Combo 1 Standard Height & Wing Kit - Large Low Platform to Driver Side (Gap size 570W). Single Drawer Standard Height O/A 1400L x 450W x 275H. Total Combo O/A 1400L x 1020W x 275H. (Suits all RV-FS listed below except SO *Not Included) | \$2,410.00 | \$2,560.00 |
| PS/PA-070301B-111236-1SL | Easy Access Combo 1 Trade Height & Wing Kit - Small Low Platform to Passenger Side (Gap size 510W). Single Drawer Trade Height O/A 1100L x 510W x 365H. Total Combo O/A 1100L x 1020W x 365H. (Suits RV-FS-1 or 3 *Not Included) | \$2,455.00 | \$2,605.00 |
| PS/PA-070301B-111236-1SR | Easy Access Combo 1 Trade Height & Wing Kit - Small Low Platform to driver Side (Gap size 510W). Single Drawer Trade Height O/A 1100L x 510W x 365H. Total Combo O/A 1100L x 1020W x 365H. (Suits RV-FS-1 or 3 *Not Included) | \$2,455.00 | \$2,605.00 |
| PS/PA-070301B-111236-1LL | Easy Access Combo 1 Trade Height & Wing Kit - Large Low Platform to Passenger Side (Gap size 570W). Single Drawer Trade Height O/A 1100L x 450W x 365H. Total Combo O/A 1100L x 1020W x 365H. (Suits all RV-FS listed below except SO *Not Included) | \$2,455.00 | \$2,605.00 |
| PS/PA-070301B-111236-1LR | Easy Access Combo 1 Trade Height & Wing Kit - Large Low Platform to Driver Side (Gap size 570W). Single Drawer Trade Height O/A 1100L x 450W x 365H. Total Combo O/A 1100L x 1020W x 365H. (Suits all RV-FS listed below except SO *Not Included) | \$2,455.00 | \$2,605.00 |
| RV-EAC-IFP-1400 | Easy Access Combo INFILL PANEL FOR STANDARD HEIGHT- covers fridge slide cavity for a flat solid top effect | \$224.00 | N/A |
| RV-EAC-IFP-1100 | Easy Access Combo INFILL PANEL FOR TRADE HEIGHT- covers fridge slide cavity for a flat solid top effect | \$224.00 | N/A |
| RV-IBFS-1000-DS | Inbuilt Fridge Slide - flush fitting 1000L (Driver Side) Premium drawers only | \$448.00 | N/A |
| RV-IBFS-1000-PS | Inbuilt Fridge Slide - flush fitting 1000L (Passenger Side) Premium drawers only | \$448.00 | N/A |
| RV-IBFS-1300-DS | Inbuilt Fridge Slide - flush fitting 1300L (Driver Side) Premium drawers only | \$472.00 | N/A |
| RV-IBFS-1300-PS | Inbuilt Fridge Slide - flush fitting 1300L (Passenger Side) Premium drawers only | \$472.00 | N/A |
| PS/PA-RV-FS-1 | Heavy Duty Fridge Slide - 750L x 455W x 80H (external incl. Travel Lock) | \$472.00 | \$522.00 |
| PS-RV-FS-1-SO | Heavy Duty Fridge Slide - 450L x 770W x 110H (external incl. Travel Lock) | \$472.00 | N/A |
| PS/PA-RV-FS-1.5 | Heavy Duty Fridge Slide - 750L x 530W x 80H (external incl. Travel Lock) | \$520.00 | \$570.00 |
| PS/PA-RV-FS-2 | Heavy Duty Fridge Slide - 850L x 560W x 80H (external incl. Travel Lock) | \$567.00 | \$617.00 |
| PS-RV-FS-2-SO | Heavy Duty Fridge Slide - 550L x 870W x 110H (external incl. Travel Lock) | \$567.00 | N/A |
| PS/PA-RV-FS-2.25 | Heavy Duty Fridge Slide - 950L x 560W x 80H (external incl. Travel Lock) | \$590.00 | \$640.00 |
| PS/PA-RV-FS-2.5 | Heavy Duty Fridge Slide - 1050L x 560W x 80H (external incl. Travel Lock) | \$685.00 | \$735.00 |
| PS/PA-RV-FS-3 | Heavy Duty Fridge Slide - 1410L x 455W x 80H (external incl. Travel Lock) **Not Available For Trade Height | \$886.00 | \$961.00 |
| PS/PA-RV-FS-3.5 | Heavy Duty Fridge Slide - 1410L x 560W x 80H (external incl. Travel Lock) **Not Available For Trade Height | \$886.00 | \$961.00 |

Travel Slide Drawers available on page 181
Inbuilt Fridge Slides N/A for alloy drawers

| VEHICLE MAKE MODEL | ISUZU D-MAX Dual Cab SX, LS-U, LS-M, X-TERRAIN (JULY 2020+) - 1400x1020 GENUINE LINER, NO ROLLOUT ISUZU | | |
|---|--|------------|------------|
| PA: Premium Alloy PS: Premium Steel EL: EcoLite | TRADE HEIGHT DRAWERS +\$100 PER DRAWER | | |
| | PREMBLK: PREMIUM BLACK RRP +180.00 (option) | | |
| | DESCRIPTION (PRICES INCLUDE WING KIT UNLESS OTHERWISE STATED) | PS RRP | PA RRP |
| PS/PA-070302A-145127-SSL | Single Drawer & Wing Kit - Standard Height to Passenger Side 1400L x 510W x 275H | \$1,485.00 | \$1,635.00 |
| PS/PA-070302A-145127-SSR | Single Drawer & Wing Kit - Standard Height to Driver Side 1400L x 510W x 275H | \$1,485.00 | \$1,635.00 |
| PS/PA-070302A-145136-SHL | Single Drawer & Wing Kit - Trade Height to Passenger Side 1400L x 510W x 365H | \$1,585.00 | \$1,735.00 |
| PS/PA-070302A-145136-SHR | Single Drawer & Wing Kit - Trade Height to Driver Side 1400L x 510W x 365H | \$1,585.00 | \$1,735.00 |
| EL-070302A-141227-TDS | EcoLite Twin Drawer & Wing Kit - Standard Height 1400L x 1020W x 275H | \$2,080.00 | N/A |
| PS/PA-070302A-141227-TDS | Twin Drawer & Wing Kit - Standard Height 1400L x 1020W x 275H | \$2,870.00 | \$3,170.00 |
| PS/PA-070302A-141236-TDH | Twin Drawer & Wing Kit - Trade Height 1400L x 1020W x 365H | \$3,070.00 | \$3,370.00 |
| PS/PA-070302A-141230-FDC-E/D | Fridge Drawer Combo with 30L Engel/Dometic Fitkit - 1400L x 1020W x 300H **Fridge not included Liftout Hatch provided to access space behind the fridge (100mm narrower if tie downs added to top) - 583L x 431W | \$2,690.00 | \$2,840.00 |
| PS/PA-070302A-141236-FDC-EK | Fridge Drawer Combo with 40L EvaKool Fitkit - 1400L x 1020W x 365H **Fridge not included Liftout Hatch provided to access space behind the fridge (100mm narrower if tie downs added to top) - 583L x 560W | \$2,800.00 | \$2,950.00 |
| PS/PA-070302A-141236-FDC-IM | Fridge Drawer Combo with 40L Ironman Fitkit - 1400L x 1020W x 365H **Fridge not included Liftout Hatch provided to access space behind the fridge (100mm narrower if tie downs added to top) - 583L x 510W | \$2,800.00 | \$2,950.00 |
| PS/PA-070302A-141236-FDC-BM | Fridge Drawer Combo with 30L Bushman Fitkit - 1400L x 1020W x 365H **Fridge not included Liftout Hatch provided to access space behind the fridge (100mm narrower if tie downs added to top) - 583L x 431W | \$2,800.00 | \$2,950.00 |
| PS/PA-070302A-141227-1SL | Easy Access Combo 1 & Wing Kit - Small Low Platform to Passenger Side (Gap size 510W). Single Drawer O/A 1400L x 510W x 275H. Total Combo O/A 1400L x 1020W x 275H. (Suits RV-FS-1 or 3 *Not Included) | \$2,410.00 | \$2,560.00 |
| PS/PA-070302A-141227-1SR | Easy Access Combo 1 & Wing Kit - Small Low Platform to Driver Side (Gap size 510W). Single Drawer O/A 1400L x 510W x 275H. Total Combo O/A 1400L x 1020W x 275H. (Suits RV-FS-1 or 3 *Not Included) | \$2,410.00 | \$2,560.00 |
| PS/PA-070302A-141227-1LL | Easy Access Combo 1 & Wing Kit - Large Low Platform to Passenger Side (Gap size 570W). Single Drawer O/A 1400L x 450W x 275H. Total Combo O/A 1400L x 1020W x 275H. (Suits all RV-FS listed below except SO *Not Included) | \$2,410.00 | \$2,560.00 |
| PS/PA-070302A-141227-1LR | Easy Access Combo 1 & Wing Kit - Large Low Platform to Driver Side (Gap size 570W). Single Drawer O/A 1400L x 450W x 275H. Total Combo O/A 1400L x 1020W x 275H. (Suits all RV-FS listed below except SO *Not Included) | \$2,410.00 | \$2,560.00 |
| PS/PA-070302A-141227-2SL | Easy Access Combo 2 & Wing Kit - Small Low Platform to Passenger Side (Gap size 510W). Double Stacked Drawers (Standard Height Bottom Drawer O/A 1400L x 510W x 275H, Trade Height Top Drawer O/A 1100L x 510W x 365H). Total Combo O/A 1400L x 1020W x 640H. (Suits RV-FS-1 or 3 *Not Included). Optional 1100L Standard Height top drawer minus -\$100.00 | \$3,100.00 | \$3,400.00 |
| PS/PA-070302A-141227-2SR | Easy Access Combo 2 & Wing Kit - Small Low Platform to Driver Side (Gap size 510W). Double Stacked Drawers (Standard Height Bottom Drawer O/A 1400L x 510W x 275H, Trade Height Top Drawer O/A 1100L x 510W x 365H). Total Combo O/A 1400L x 1020W x 640H. (Suits RV-FS-1 or 3 *Not Included). Optional 1100L Standard Height top drawer minus -\$100.00 | \$3,100.00 | \$3,400.00 |
| PS/PA-070302A-141227-2LL | Easy Access Combo 2 & Wing Kit - Large Low Platform to Passenger Side (Gap size 570W). Double Stacked Drawers (Standard Height Bottom Drawer O/A 1400L x 450W x 275H, Trade Height Top Drawer O/A 1100L x 450W x 365H). Total Combo O/A 1400L x 1020W x 640H. (Suits all RV-FS listed below except SO *Not Included). Optional 1100L Standard Height top drawer minus -\$100.00 | \$3,100.00 | \$3,400.00 |
| PS/PA-070302A-141227-2LR | Easy Access Combo 2 & Wing Kit - Large Low Platform to Driver Side (Gap size 570W). Double Stacked Drawers (Standard Height Bottom Drawer O/A 1400L x 450W x 275H, Trade Height Top Drawer O/A 1100L x 450W x 365H). Total Combo O/A 1400L x 1020W x 640H. (Suits all RV-FS listed below except SO *Not Included). Optional 1100L Standard Height top drawer minus -\$100.00 | \$3,100.00 | \$3,400.00 |
| RV-EAC-IFP-1400 | Easy Access Combo INFILL PANEL - covers fridge slide cavity to create a flat solid top effect (NOTE: top drawer must be removed on EAC-2 systems) | \$224.00 | N/A |
| RV-CS-1451-00 | Cargo Shelf single - 1400L Ventilated side panel and solid top shelf to fit FS-1 (small fridge space) Suits EAC-1 1400L x 1020W | \$803.00 | N/A |
| RV-CS-1457-00 | Cargo Shelf single - 1400L Ventilated side panel and solid top shelf to fit FS-1.5 & FS-2 (large fridge space) Suits EAC-1 1400L x 1020W | \$803.00 | N/A |
| RV-CS-0812-00 | Cargo Shelf double - 800L Ventilated side panel and solid top shelf system. Fits EAC-2 1400L x 1020W fitted with a Trade Height top drawer | \$567.00 | N/A |
| RV-IBFS-1300-DS | Inbuilt Fridge Slide - flush fitting 1300L (Driver Side) Premium drawers only | \$472.00 | N/A |
| RV-IBFS-1300-PS | Inbuilt Fridge Slide - flush fitting 1300L (Passenger Side) Premium drawers only | \$472.00 | N/A |
| PS/PA-RV-FS-1 | Heavy Duty Fridge Slide - 750L x 455W x 80H (external incl. Travel Lock) | \$472.00 | \$522.00 |
| PS-RV-FS-1-SO | Heavy Duty Fridge Slide - 450L x 770W x 110H (external incl. Travel Lock) | \$472.00 | N/A |
| PS/PA-RV-FS-1.5 | Heavy Duty Fridge Slide - 750L x 530W x 80H (external incl. Travel Lock) | \$520.00 | \$570.00 |
| PS/PA-RV-FS-2 | Heavy Duty Fridge Slide - 850L x 560W x 80H (external incl. Travel Lock) | \$567.00 | \$617.00 |
| PS-RV-FS-2-SO | Heavy Duty Fridge Slide - 550L x 870W x 110H (external incl. Travel Lock) | \$567.00 | N/A |
| PS/PA-RV-FS-2.25 | Heavy Duty Fridge Slide - 950L x 560W x 80H (external incl. Travel Lock) | \$590.00 | \$640.00 |
| PS/PA-RV-FS-2.5 | Heavy Duty Fridge Slide - 1050L x 560W x 80H (external incl. Travel Lock) | \$685.00 | \$735.00 |
| PS/PA-RV-FS-3 | Heavy Duty Fridge Slide - 1410L x 455W x 80H (external incl. Travel Lock) | \$886.00 | \$961.00 |
| PS/PA-RV-FS-3.5 | Heavy Duty Fridge Slide - 1410L x 560W x 80H (external incl. Travel Lock) | \$886.00 | \$961.00 |
| Travel Slide Drawers available on page 181 Inbuilt Fridge Slides N/A for alloy drawers | | | |

| VEHICLE MAKE MODEL | | ISUZU D-MAX Dual Cab SX, LS-U, LS-M, X-TERRAIN (JULY 2020+) - 1400x1020 / 1100x1020 GENUINE LINER WITH ROLLTOP | | |
|---|---|--|------------|--|
| PA: Premium Alloy PS: Premium Steel EL: EcoLite | TRADE HEIGHT DRAWERS +\$100 PER DRAWER | | | |
| | PREMBLK: PREMIUM BLACK RRP +180.00 (option) | | | |
| | DESCRIPTION (PRICES INCLUDE WING KIT UNLESS OTHERWISE STATED) | PS RRP | PA RRP | |
| PS/PA-070302B-145127-SSL | Single Drawer & Wing Kit - Standard Height to Passenger Side 1400L x 510W x 275H | \$1,485.00 | \$1,635.00 | |
| PS/PA-070302B-145127-SSR | Single Drawer & Wing Kit - Standard Height to Driver Side 1400L x 510W x 275H | \$1,485.00 | \$1,635.00 | |
| PS/PA-070302B-115136-SHL | Single Drawer & Wing Kit - Trade Height to Passenger Side 1100L x 510W x 365H | \$1,515.00 | \$1,665.00 | |
| PS/PA-070302B-115136-SHR | Single Drawer & Wing Kit - Trade Height to Driver Side 1100L x 510W x 365H | \$1,515.00 | \$1,665.00 | |
| EL-070302B-141227-TDS | EcoLite Twin Drawer & Wing Kit - Standard Height 1400L x 1020W x 275H | \$2,080.00 | N/A | |
| PS/PA-070302B-141227-TDS | Twin Drawer & Wing Kit - Standard Height 1400L x 1020W x 275H | \$2,870.00 | \$3,170.00 | |
| PS/PA-070302B-111236-TDH | Twin Drawer & Wing Kit - Trade Height 1100L x 1020W x 365H | \$2,925.00 | \$3,225.00 | |
| PS/PA-070302B-141230-FDC-E/D | Fridge Drawer Combo with 30L Engel/Dometic Fitkit - 1400L x 1020W x 300H **Fridge not included Liftout Hatch provided to access space behind the fridge (100mm narrower if tie downs added to top) - 583L x 431W | \$2,690.00 | \$2,840.00 | |
| PS/PA-070302B-111236-FDC-EK | Fridge Drawer Combo with 40L EvaKool Fitkit - 1100L x 1020W x 365H **Fridge not included Liftout Hatch provided to access space behind the fridge (100mm narrower if tie downs added to top) - 283L x 560W | \$2,745.00 | \$2,895.00 | |
| PS/PA-070302B-111236-FDC-IM | Fridge Drawer Combo with 40L Ironman Fitkit - 1100L x 1020W x 365H **Fridge not included Liftout Hatch provided to access space behind the fridge (100mm narrower if tie downs added to top) - 283L x 510W | \$2,745.00 | \$2,895.00 | |
| PS/PA-070302B-111236-FDC-BM | Fridge Drawer Combo with 30L Bushman Fitkit - 1100L x 1020W x 365H **Fridge not included Liftout Hatch provided to access space behind the fridge (100mm narrower if tie downs added to top) - 283L x 431W | \$2,745.00 | \$2,895.00 | |
| PS/PA-070302B-141227-1SL | Easy Access Combo 1 Standard Height & Wing Kit - Small Low Platform to Passenger Side (Gap size 510W). Single Drawer Standard Height O/A 1400L x 510W x 275H. Total Combo O/A 1400L x 1020W x 275H. (Suits RV-FS-1 or 3 *Not Included) | \$2,410.00 | \$2,560.00 | |
| PS/PA-070302B-141227-1SR | Easy Access Combo 1 Standard Height & Wing Kit - Small Low Platform to driver Side (Gap size 510W). Single Drawer Standard Height O/A 1400L x 450W x 275H. Total Combo O/A 1400L x 1020W x 275H. (Suits RV-FS-1 or 3 *Not Included) | \$2,410.00 | \$2,560.00 | |
| PS/PA-070302B-141227-1LL | Easy Access Combo 1 Standard Height & Wing Kit - Large Low Platform to Passenger Side (Gap size 570W). Single Drawer Standard Height O/A 1400L x 450W x 275H. Total Combo O/A 1400L x 1020W x 275H. (Suits all RV-FS listed below except SO *Not Included) | \$2,410.00 | \$2,560.00 | |
| PS/PA-070302B-141227-1LR | Easy Access Combo 1 Standard Height & Wing Kit - Large Low Platform to Driver Side (Gap size 570W). Single Drawer Standard Height O/A 1400L x 450W x 275H. Total Combo O/A 1400L x 1020W x 275H. (Suits all RV-FS listed below except SO *Not Included) | \$2,410.00 | \$2,560.00 | |
| PS/PA-070302B-111236-1SL | Easy Access Combo 1 Trade Height & Wing Kit - Small Low Platform to Passenger Side (Gap size 510W). Single Drawer Trade Height O/A 1100L x 510W x 365H. Total Combo O/A 1100L x 1020W x 365H. (Suits RV-FS-1 or 3 *Not Included) | \$2,455.00 | \$2,605.00 | |
| PS/PA-070302B-111236-1SR | Easy Access Combo 1 Trade Height & Wing Kit - Small Low Platform to driver Side (Gap size 510W). Single Drawer Trade Height O/A 1100L x 510W x 365H. Total Combo O/A 1100L x 1020W x 365H. (Suits RV-FS-1 or 3 *Not Included) | \$2,455.00 | \$2,605.00 | |
| PS/PA-070302B-111236-1LL | Easy Access Combo 1 Trade Height & Wing Kit - Large Low Platform to Passenger Side (Gap size 570W). Single Drawer Trade Height O/A 1100L x 450W x 365H. Total Combo O/A 1100L x 1020W x 365H. (Suits all RV-FS listed below except SO *Not Included) | \$2,455.00 | \$2,605.00 | |
| PS/PA-070302B-111236-1LR | Easy Access Combo 1 Trade Height & Wing Kit - Large Low Platform to Driver Side (Gap size 570W). Single Drawer Trade Height O/A 1100L x 450W x 365H. Total Combo O/A 1100L x 1020W x 365H. (Suits all RV-FS listed below except SO *Not Included) | \$2,455.00 | \$2,605.00 | |
| RV-EAC-IFP-1400 | Easy Access Combo INFILL PANEL FOR STANDARD HEIGHT- covers fridge slide cavity for a flat solid top effect | \$224.00 | N/A | |
| RV-EAC-IFP-1100 | Easy Access Combo INFILL PANEL FOR TRADE HEIGHT- covers fridge slide cavity for a flat solid top effect | \$224.00 | N/A | |
| RV-IBFS-1000-DS | Inbuilt Fridge Slide - flush fitting 1000L (Driver Side) Premium drawers only | \$448.00 | N/A | |
| RV-IBFS-1000-PS | Inbuilt Fridge Slide - flush fitting 1000L (Passenger Side) Premium drawers only | \$448.00 | N/A | |
| RV-IBFS-1300-DS | Inbuilt Fridge Slide - flush fitting 1300L (Driver Side) Premium drawers only | \$472.00 | N/A | |
| RV-IBFS-1300-PS | Inbuilt Fridge Slide - flush fitting 1300L (Passenger Side) Premium drawers only | \$472.00 | N/A | |
| PS/PA-RV-FS-1 | Heavy Duty Fridge Slide - 750L x 455W x 80H (external incl. Travel Lock) | \$472.00 | \$522.00 | |
| PS-RV-FS-1-SO | Heavy Duty Fridge Slide - 450L x 770W x 110H (external incl. Travel Lock) | \$472.00 | N/A | |
| PS/PA-RV-FS-1.5 | Heavy Duty Fridge Slide - 750L x 530W x 80H (external incl. Travel Lock) | \$520.00 | \$570.00 | |
| PS/PA-RV-FS-2 | Heavy Duty Fridge Slide - 850L x 560W x 80H (external incl. Travel Lock) | \$567.00 | \$617.00 | |
| PS-RV-FS-2-SO | Heavy Duty Fridge Slide - 550L x 870W x 110H (external incl. Travel Lock) | \$567.00 | N/A | |
| PS/PA-RV-FS-2.25 | Heavy Duty Fridge Slide - 950L x 560W x 80H (external incl. Travel Lock) | \$590.00 | \$640.00 | |
| PS/PA-RV-FS-2.5 | Heavy Duty Fridge Slide - 1050L x 560W x 80H (external incl. Travel Lock) | \$685.00 | \$735.00 | |
| PS/PA-RV-FS-3 | Heavy Duty Fridge Slide - 1410L x 455W x 80H (external incl. Travel Lock) **Not Available For Trade Height | \$886.00 | \$961.00 | |
| PS/PA-RV-FS-3.5 | Heavy Duty Fridge Slide - 1410L x 560W x 80H (external incl. Travel Lock) **Not Available For Trade Height | \$886.00 | \$961.00 | |

Travel Slide Drawers available on page 181
Inbuilt Fridge Slides N/A for alloy drawers

| VEHICLE MAKE MODEL | ISUZU D-MAX Space Cab SX, LS-U (JULY 2020+) - 1700x1020 NO TUB LINER | ISUZU | |
|---|--|------------|----------|
| PA: Premium Alloy PS: Premium Steel EL: EcoLite | ALLOY DRAWERS: N/A / TRADE HEIGHT DRAWERS +\$100 PER DRAWER | | |
| | PREMBLK: PREMIUM BLACK RRP +180.00 (option) | | |
| | DESCRIPTION (PRICES INCLUDE WING KIT UNLESS OTHERWISE STATED) | PS RRP | PA RRP |
| PS-070303-175127-SSL | Single Drawer & Wing Kit - Standard Height to Passenger Side 1700L x 510W x 275H | \$1,625.00 | N/A |
| PS-070303-175127-SSR | Single Drawer & Wing Kit - Standard Height to Driver Side 1700L x 510W x 275H | \$1,625.00 | N/A |
| PS-070303-175136-SHL | Single Drawer & Wing Kit - Trade Height to Passenger Side 1700L x 510W x 365H | \$1,725.00 | N/A |
| PS-070303-175136-SHR | Single Drawer & Wing Kit - Trade Height to Driver Side 1700L x 510W x 365H | \$1,725.00 | N/A |
| EL-070303-171227-TDS | EcoLite Twin Drawer & Wing Kit - Standard Height 1700L x 1020W x 275H | \$2,270.00 | N/A |
| PS-070303-171227-TDS | Twin Drawer & Wing Kit - Standard Height 1700L x 1020W x 275H | \$3,145.00 | N/A |
| PS-070303-171236-TDH | Twin Drawer & Wing Kit - Trade Height 1700L x 1020W x 365H | \$3,345.00 | N/A |
| PS-070303-171230-FDC-E/D | Fridge Drawer Combo with 30L Engel/Dometic Fitkit - 1700L x 1020W x 300H **Fridge not included Liftout Hatch provided to access space behind the fridge (100mm narrower if tie downs added to top) - 883L x 431W | \$2,855.00 | N/A |
| PS-070303-171236-FDC-EK | Fridge Drawer Combo with 40L EvaKool Fitkit - 1700L x 1020W x 365H **Fridge not included Liftout Hatch provided to access space behind the fridge (100mm narrower if tie downs added to top) - 883L x 560W | \$2,965.00 | N/A |
| PS-070303-171236-FDC-IM | Fridge Drawer Combo with 40L Ironman Fitkit - 1700L x 1020W x 365H **Fridge not included Liftout Hatch provided to access space behind the fridge (100mm narrower if tie downs added to top) - 883L x 510W | \$2,965.00 | N/A |
| PS-070303-171236-FDC-BM | Fridge Drawer Combo with 30L Bushman Fitkit - 1700L x 1020W x 365H **Fridge not included Liftout Hatch provided to access space behind the fridge (100mm narrower if tie downs added to top) - 883L x 431W | \$2,965.00 | N/A |
| PS-070303-171227-1SL | Easy Access Combo 1 & Wing Kit - Small Low Platform to Passenger Side (Gap size 510W). Single Drawer O/A 1700L x 510W x 275H. Total Combo O/A 1700L x 1020W x 275H. (Suits RV-FS-1 or 3 *Not Included) | \$2,630.00 | N/A |
| PS-070303-171227-1SR | Easy Access Combo 1 & Wing Kit - Small Low Platform to Driver Side (Gap size 510W). Single Drawer O/A 1700L x 510W x 275H. Total Combo O/A 1700L x 1020W x 275H. (Suits RV-FS-1 or 3 *Not Included) | \$2,630.00 | N/A |
| PS-070303-171227-1LL | Easy Access Combo 1 & Wing Kit - Large Low Platform to Passenger Side (Gap size 570W). Single Drawer O/A 1700L x 450W x 275H. Total Combo O/A 1700L x 1020W x 275H. (Suits all RV-FS listed below except SO *Not Included) | \$2,630.00 | N/A |
| PS-070303-171227-1LR | Easy Access Combo 1 & Wing Kit - Large Low Platform to Driver Side (Gap size 570W). Single Drawer O/A 1700L x 450W x 275H. Total Combo O/A 1700L x 1020W x 275H. (Suits all RV-FS listed below except SO *Not Included) | \$2,630.00 | N/A |
| PS-070303-171227-2SL | Easy Access Combo 2 & Wing Kit - Small Low Platform to Passenger Side (Gap size 510W). Double Stacked Drawers (Standard Height Bottom Drawer O/A 1700L x 510W x 275H, Trade Height Top Drawer O/A 1400L x 510W x 365H). Total Combo O/A 1700L x 1020W x 640H. (Suits RV-FS-1 or 3 *Not Included). Optional 1400L Standard Height top drawer minus -\$100.00 | \$3,375.00 | N/A |
| PS-070303-171227-2SR | Easy Access Combo 2 & Wing Kit - Small Low Platform to Driver Side (Gap size 510W). Double Stacked Drawers (Standard Height Bottom Drawer O/A 1700L x 510W x 275H, Trade Height Top Drawer O/A 1400L x 510W x 365H). Total Combo O/A 1700L x 1020W x 640H. (Suits RV-FS-1 or 3 *Not Included). Optional 1400L Standard Height top drawer minus -\$100.00 | \$3,375.00 | N/A |
| PS-070303-171227-2LL | Easy Access Combo 2 & Wing Kit - Large Low Platform to Passenger Side (Gap size 570W). Double Stacked Drawers (Standard Height Bottom Drawer O/A 1700L x 450W x 275H, Trade Height Top Drawer O/A 1400L x 450W x 365H). Total Combo O/A 1700L x 1020W x 640H. (Suits all RV-FS listed below except SO *Not Included). Optional 1400L Standard Height top drawer minus -\$100.00 | \$3,375.00 | N/A |
| PS-070303-171227-2LR | Easy Access Combo 2 & Wing Kit - Large Low Platform to Driver Side (Gap size 570W). Double Stacked Drawers (Standard Height Bottom Drawer O/A 1700L x 450W x 275H, Trade Height Top Drawer O/A 1400L x 450W x 365H). Total Combo O/A 1700L x 1020W x 640H. (Suits all RV-FS listed below except SO *Not Included). Optional 1400L Standard Height top drawer minus -\$100.00 | \$3,375.00 | N/A |
| RV-EAC-IFP-1700 | Easy Access Combo INFILL PANEL - covers fridge slide cavity to create a flat solid top effect (NOTE: top drawer must be removed on EAC-2 systems) | \$272.00 | N/A |
| RV-CS-1451-00 | Cargo Shelf single - 1400L Ventilated side panel and solid top shelf to fit FS-1 (small fridge space) Suits EAC-1 1400L x 1020W | \$803.00 | N/A |
| RV-CS-1457-00 | Cargo Shelf single - 1400L Ventilated side panel and solid top shelf to fit FS-1.5 & FS-2 (large fridge space) Suits EAC-1 1400L x 1020W | \$803.00 | N/A |
| RV-CS-0812-00 | Cargo Shelf double - 800L Ventilated side panel and solid top shelf system. Fits EAC-2 1400L x 1020W fitted with a Trade Height top drawer | \$567.00 | N/A |
| RV-IBFS-1300-DS | Inbuilt Fridge Slide - flush fitting 1300L (Driver Side) Premium drawers only | \$472.00 | N/A |
| RV-IBFS-1300-PS | Inbuilt Fridge Slide - flush fitting 1300L (Passenger Side) Premium drawers only | \$472.00 | N/A |
| PS/PA-RV-FS-1 | Heavy Duty Fridge Slide - 750L x 455W x 80H (external incl. Travel Lock) | \$472.00 | \$522.00 |
| PS-RV-FS-1-SO | Heavy Duty Fridge Slide - 450L x 770W x 110H (external incl. Travel Lock) | \$472.00 | N/A |
| PS/PA-RV-FS-1.5 | Heavy Duty Fridge Slide - 750L x 530W x 80H (external incl. Travel Lock) | \$520.00 | \$570.00 |
| PS/PA-RV-FS-2 | Heavy Duty Fridge Slide - 850L x 560W x 80H (external incl. Travel Lock) | \$567.00 | \$617.00 |
| PS-RV-FS-2-SO | Heavy Duty Fridge Slide - 550L x 870W x 110H (external incl. Travel Lock) | \$567.00 | N/A |
| PS/PA-RV-FS-2.25 | Heavy Duty Fridge Slide - 950L x 560W x 80H (external incl. Travel Lock) | \$590.00 | \$640.00 |
| PS/PA-RV-FS-2.5 | Heavy Duty Fridge Slide - 1050L x 560W x 80H (external incl. Travel Lock) | \$685.00 | \$735.00 |
| PS/PA-RV-FS-3 | Heavy Duty Fridge Slide - 1410L x 455W x 80H (external incl. Travel Lock) | \$886.00 | \$961.00 |
| PS/PA-RV-FS-3.5 | Heavy Duty Fridge Slide - 1410L x 560W x 80H (external incl. Travel Lock) | \$886.00 | \$961.00 |
| Travel Slide Drawers available on page 181 | | | |

| VEHICLE MAKE MODEL | ISUZU MU-X Wagon LS-T, LS-U, LS-M (JUN 2012 - MAY 2021) - 900x970 ISUZU | | |
|---|--|---------------|---------------|
| PA: Premium Alloy PS: Premium Steel EL: EcoLite | TRADE HEIGHT DRAWERS +\$100 PER DRAWER | | |
| | PREMBLK: PREMIUM BLACK RRP +180.00 (option) | | |
| | DESCRIPTION (PRICES INCLUDE WING KIT UNLESS OTHERWISE STATED) | PS RRP | PA RRP |
| EL-070203-099727-TDS | EcoLite Twin Drawer & Wing Kit - Standard Height 900L x 970W x 275H <i>(Subframe included)</i> | \$2,010.00 | N/A |
| PS/PA-070203-099727-TDS | Twin Drawer & Wing Kit - Standard Height 900L x 970W x 275H <i>(Subframe included)</i> | \$2,705.00 | \$3,005.00 |
| PS/PA-070203-099730-FDC-E/D | Fridge Drawer Combo with 30L Engel/Dometic Fitkit - 900L x 970W x 300H <i>(Subframe included)</i> *Fridge not included Liftout Hatch provided to access space behind the fridge (100mm narrower if tie downs added to top) - 133L x 431W | \$2,735.00 | \$2,885.00 |
| PA-070203-099730-FDS-E/D | Engel/Dometic Fridge Drawer Stacker with Engel/Dometic Fitkit - 900L x 970W x 300H <i>(Subframe included)</i> *Fridge not included Liftout Hatch provided to access space behind the fridge (100mm narrower if tie downs added to top) - 133L x 431W | N/A | \$3,721.00 |
| PS/PA-070203-099727-1SL | Easy Access Combo 1 & Wing Kit - Small Low Platform to Passenger Side (Gap size 485W). Single Drawer O/A 900L x 485W x 275H. Total Combo O/A 900L x 970W x 275H. <i>(Subframe included)</i> (Suits RV-FS-1 *Not Included) (Suits Cargo Shelf Single 485W *Not Included) | \$2,245.00 | \$2,395.00 |
| PS/PA-070203-099727-1SR | Easy Access Combo 1 & Wing Kit - Small Low Platform to Driver Side (Gap size 485W). Single Drawer O/A 900L x 485W x 275H. Total Combo O/A 900L x 970W x 275H. <i>(Subframe included)</i> (Suits RV-FS-1 *Not Included) (Suits Cargo Shelf Single 485W *Not Included) | \$2,245.00 | \$2,395.00 |
| PS/PA-070203-099727-1LL | Easy Access Combo 1 & Wing Kit - Large Low Platform to Passenger Side (Gap size 570W). Single Drawer O/A 900L x 400W x 275H. Total Combo O/A 900L x 970W x 275H. <i>(Subframe included)</i> (Suits all RV-FS listed below except SO *Not Included) (Suits Cargo Shelf Single 570W *Not Included) | \$2,245.00 | \$2,395.00 |
| PS/PA-070203-099727-1LR | Easy Access Combo 1 & Wing Kit - Large Low Platform to Driver Side (Gap size 570W). Single Drawer O/A 900L x 400W x 275H. Total Combo O/A 900L x 970W x 275H. <i>(Subframe included)</i> (Suits all RV-FS listed below except SO *Not Included) (Suits Cargo Shelf Single 570W *Not Included) | \$2,245.00 | \$2,395.00 |
| PS/PA-070203-099727-2SL | Easy Access Combo 2 & Wing Kit - Small Low Platform to Passenger Side (Gap size 485W). Double Stacked Drawers (Standard Height Bottom Drawer O/A 900L x 485W x 275H, Trade Height Top Drawer O/A 700L x 485W x 365H). Total Combo O/A 900L x 970W x 640H. <i>(Subframe included)</i> (Suits RV-FS-1 *Not Included) (Suits Cargo Shelf Double 970W *Not Included). Optional 700L Standard Height top drawer minus -\$100.00, but cannot have Double Cargo Shelf. | \$2,935.00 | \$3,235.00 |
| PS/PA-070203-099727-2SR | Easy Access Combo 2 & Wing Kit - Small Low Platform to Driver Side (Gap size 485W). Double Stacked Drawers (Standard Height Bottom Drawer O/A 900L x 485W x 275H, Trade Height Top Drawer O/A 700L x 485W x 365H). Total Combo O/A 900L x 970W x 640H. <i>(Subframe included)</i> (Suits RV-FS-1 *Not Included) (Suits Cargo Shelf Double 970W *Not Included). Optional 700L Standard Height top drawer minus -\$100.00, but cannot have Double Cargo Shelf. | \$2,935.00 | \$3,235.00 |
| PS/PA-070203-099727-2LL | Easy Access Combo 2 & Wing Kit - Large Low Platform to Passenger Side (Gap size 570W). Double Stacked Drawers (Standard Height Bottom Drawer O/A 900L x 400W x 275H, Trade Height Top Drawer O/A 700L x 400W x 365H). Total Combo O/A 900L x 970W x 640H. <i>(Subframe included)</i> (Suits all RV-FS listed below except SO *Not Included) (Suits Cargo Shelf Double 970W *Not Included). Optional 700L Standard Height top drawer minus -\$100.00, but cannot have Double Cargo Shelf. | \$2,935.00 | \$3,235.00 |
| PS/PA-070203-099727-2LR | Easy Access Combo 2 & Wing Kit - Large Low Platform to Driver Side (Gap size 570W). Double Stacked Drawers (Standard Height Bottom Drawer O/A 900L x 400W x 275H, Trade Height Top Drawer O/A 700L x 400W x 365H). Total Combo O/A 900L x 970W x 640H. <i>(Subframe included)</i> (Suits all RV-FS listed below except SO *Not Included) (Suits Cargo Shelf Double 970W *Not Included). Optional 700L Standard Height top drawer minus -\$100.00, but cannot have Double Cargo Shelf. | \$2,935.00 | \$3,235.00 |
| RV-EAC-IFP-900 | Easy Access Combo INFILL PANEL - covers fridge slide cavity to create a flat solid top effect (NOTE: top drawer must be removed on EAC-2 systems) | \$164.00 | N/A |
| RV-CS-0748-00 | Cargo Shelf single - 700L Ventilated side panel and solid top shelf to fit FS-1 (small fridge space). Fits EAC-1 900L x 970W | \$520.00 | N/A |
| RV-CS-0757-00 | Cargo Shelf single - 700L Ventilated side panel and solid top shelf to fit FS-1.5 & 2 (large fridge space). Fits EAC-1 900L x 970W | \$520.00 | N/A |
| RV-CS-0797-00 | Cargo Shelf double- 700L Ventilated side panel and solid top shelf system to suit EAC-2 900L x 970W fitted with a Trade Height top drawer | \$567.00 | N/A |
| RV-IBFS-900-DS | Inbuilt Fridge Slide - flush fitting 900L (Driver Side) <i>Premium drawers only</i> | \$413.00 | \$413.00 |
| RV-IBFS-900-PS | Inbuilt Fridge Slide - flush fitting 900L (Passenger Side) <i>Premium drawers only</i> | \$413.00 | \$413.00 |
| PS/PA-RV-FS-1 | Heavy Duty Fridge Slide - 750L x 455W x 80H (external incl. Travel Lock) | \$472.00 | \$522.00 |
| PS-RV-FS-1-SO | Heavy Duty Fridge Slide - 450L x 770W x 110H (external incl. Travel Lock) | \$472.00 | N/A |
| PS/PA-RV-FS-1.5 | Heavy Duty Fridge Slide - 750L x 530W x 80H (external incl. Travel Lock) | \$520.00 | \$570.00 |
| PS/PA-RV-FS-2 | Heavy Duty Fridge Slide - 850L x 560W x 80H (external incl. Travel Lock) | \$567.00 | \$617.00 |
| PS-RV-FS-2-SO | Heavy Duty Fridge Slide - 550L x 870W x 110H (external incl. Travel Lock) | \$567.00 | N/A |
| RV-070203-HCB | Rear Cargo Barrier - Half height for fitment to RV drawer system, ADR Compliant | \$685.00 | N/A |
| <p>No Trade Height Option Available Rear Cargo Barrier only available for Standard Height EvaKool Fridge Drawer Combo not available Travel Slide Drawers available on page 181</p> | | | |

| VEHICLE MAKE MODEL | ISUZU MU-X Wagon LS-T, LS-U, LS-M (JUNE 2021+) - 1000x970 / 950x970 | ISUZU | |
|---|--|------------|------------|
| PA: Premium Alloy PS: Premium Steel EL: EcoLite | TRADE HEIGHT DRAWERS +\$100 PER DRAWER PREMBLK: PREMIUM BLACK RRP +180.00 (option) DESCRIPTION (PRICES INCLUDE WING KIT UNLESS OTHERWISE STATED) | PS RRP | PA RRP |
| EL-070304-109727-TDS | EcoLite Twin Drawer & Wing Kit - Standard Height 1000L x 970W x 275H (Subframe included) | \$2,070.00 | N/A |
| PS/PA-070304-109727-TDS | Twin Drawer & Wing Kit - Standard Height 1000L x 970W x 275H (Subframe included) | \$2,760.00 | \$3,060.00 |
| PS/PA-070304-959736-TDH | Twin Drawer & Wing Kit - Trade Height 950L x 970W x 365H (Subframe included) | \$2,925.00 | \$3,225.00 |
| PS/PA-070304-959730-FDC-E/D | Fridge Drawer Combo with 30L Engel/Dometic Fitkit - 950L x 970W x 300H (Subframe included) *Fridge not included Liftout Hatch provided to access space behind the fridge (100mm narrower if tie downs added to top) - 133L x 431W | \$2,745.00 | \$2,895.00 |
| PS/PA-070304-959736-FDC-EK | Fridge Drawer Combo with 40L EvaKool Fitkit - 950L x 970W x 365H (Subframe included) *Fridge not included Liftout Hatch provided to access space behind the fridge (100mm narrower if tie downs added to top) - 133L x 560W | \$2,855.00 | \$3,005.00 |
| PS/PA-070304-959736-FDC-IM | Fridge Drawer Combo with 40L Ironman Fitkit - 950L x 970W x 365H (Subframe included) *Fridge not included Liftout Hatch provided to access space behind the fridge (100mm narrower if tie downs added to top) - 133L x 510W | \$2,855.00 | \$3,005.00 |
| PS/PA-070304-959736-FDC-BM | Fridge Drawer Combo with 30L Bushman Fitkit - 950L x 970W x 365H (Subframe included) *Fridge not included Liftout Hatch provided to access space behind the fridge (100mm narrower if tie downs added to top) - 133L x 431W | \$2,855.00 | \$3,005.00 |
| PA-070304-959730-FDS-E/D | Engel/Dometic Fridge Drawer Stacker with Engel/Dometic Fitkit - 950L x 970W x 300H (Subframe included) *Fridge not included Liftout Hatch provided to access space behind the fridge (100mm narrower if tie downs added to top) - 133L x 431W | N/A | \$3,731.00 |
| PA-070304-959736-FDS-EK | Evakool Fridge Drawer Stacker with EvaKool Fitkit - 950L x 970W x 365H (Subframe included) *Fridge not included Liftout Hatch provided to access space behind the fridge (100mm narrower if tie downs added to top) - 133L x 560W | N/A | \$3,841.00 |
| PA-070304-959736-FDS-BM | Bushman Fridge Drawer Stacker with Bushman Fitkit - 950L x 970W x 365H (Subframe included) *Fridge not included Liftout Hatch provided to access space behind the fridge (100mm narrower if tie downs added to top) - 133L x 431W | N/A | \$3,841.00 |
| PS/PA-070304-109727-1SL | Easy Access Combo 1 & Wing Kit - Small Low Platform to Passenger Side (Gap size 485W). Single Drawer O/A 1000L x 485W x 275H. Total Combo O/A 1000L x 970W x 275H. (Subframe included) (Suits RV-FS-1 *Not Included) | \$2,300.00 | \$2,450.00 |
| PS/PA-070304-109727-1SR | Easy Access Combo 1 & Wing Kit - Small Low Platform to Driver Side (Gap size 485W). Single Drawer O/A 1000L x 485W x 275H. Total Combo O/A 1000L x 970W x 275H. (Subframe included) (Suits RV-FS-1 *Not Included) | \$2,300.00 | \$2,450.00 |
| PS/PA-070304-109727-1LL | Easy Access Combo 1 & Wing Kit - Large Low Platform to Passenger Side (Gap size 570W). Single Drawer O/A 1000L x 400W x 275H. Total Combo O/A 1000L x 970W x 275H. (Subframe included) (Suits all RV-FS listed below except SO *Not Included) | \$2,300.00 | \$2,450.00 |
| PS/PA-070304-109727-1LR | Easy Access Combo 1 & Wing Kit - Large Low Platform to Driver Side (Gap size 570W). Single Drawer O/A 1000L x 400W x 275H. Total Combo O/A 1000L x 970W x 275H. (Subframe included) (Suits all RV-FS listed below except SO *Not Included) | \$2,300.00 | \$2,450.00 |
| PS/PA-070304-109727-2SL | Easy Access Combo 2 & Wing Kit - Small Low Platform to Passenger Side (Gap size 485W). Double Stacked Drawers (Standard Height Bottom Drawer O/A 1000L x 485W x 275H, Trade Height Top Drawer O/A 800L x 485W x 365H). Total Combo O/A 1000L x 970W x 640H. (Subframe included) (Suits RV-FS-1 *Not Included). Optional 800L Standard Height top drawer minus -\$100.00 | \$2,990.00 | \$3,290.00 |
| PS/PA-070304-109727-2SR | Easy Access Combo 2 & Wing Kit - Small Low Platform to Driver Side (Gap size 485W). Double Stacked Drawers (Standard Height Bottom Drawer O/A 1000L x 485W x 275H, Trade Height Top Drawer O/A 800L x 485W x 365H). Total Combo O/A 1000L x 970W x 640H. (Subframe included) (Suits RV-FS-1 *Not Included). Optional 800L Standard Height top drawer minus -\$100.00 | \$2,990.00 | \$3,290.00 |
| PS/PA-070304-109727-2LL | Easy Access Combo 2 & Wing Kit - Large Low Platform to Passenger Side (Gap size 570W). Double Stacked Drawers (Standard Height Bottom Drawer O/A 1000L x 400W x 275H, Trade Height Top Drawer O/A 800L x 400W x 365H). Total Combo O/A 1000L x 970W x 640H. (Subframe included) (Suits all RV-FS listed below except SO *Not Included). Optional 800L Standard Height top drawer minus -\$100.00 | \$2,990.00 | \$3,290.00 |
| PS/PA-070304-109727-2LR | Easy Access Combo 2 & Wing Kit - Large Low Platform to Driver Side (Gap size 570W). Double Stacked Drawers (Standard Height Bottom Drawer O/A 1000L x 400W x 275H, Trade Height Top Drawer O/A 800L x 400W x 365H). Total Combo O/A 1000L x 970W x 640H. (Subframe included) (Suits all RV-FS listed below except SO *Not Included). Optional 800L Standard Height top drawer minus -\$100.00 | \$2,990.00 | \$3,290.00 |
| RV-EAC-IFP-1000 | Easy Access Combo INFILL PANEL - covers fridge slide cavity to create a flat solid top effect (NOTE: top drawer must be removed on EAC-2 systems) 1000L | \$176.00 | N/A |
| RV-CS-0848-00 | Cargo Shelf single - 800L Ventilated side panel and solid top shelf to fit FS-1 (small fridge space). Fits EAC-1 1000L x 970W | \$520.00 | N/A |
| RV-CS-0857-00 | Cargo Shelf single - 800L Ventilated side panel and solid top shelf to fit FS-1.5 & 2 (large fridge space). Fits EAC-1 1000L x 970W | \$520.00 | N/A |
| RV-CS-0897-00 | Cargo Shelf double - 800L Ventilated side panel and solid top shelf system to suit EAC-2 1000L x 970W fitted with a Trade Height top drawer | \$567.00 | N/A |
| RV-IBFS-1000-DS | Inbuilt Fridge Slide - flush fitting 900L (Driver Side) Premium drawers only | \$448.00 | \$448.00 |
| RV-IBFS-1000-PS | Inbuilt Fridge Slide - flush fitting 900L (Passenger Side) Premium drawers only | \$448.00 | \$448.00 |
| PS/PA-RV-FS-1 | Heavy Duty Fridge Slide - 750L x 455W x 80H (external incl. Travel Lock) | \$472.00 | \$522.00 |
| PS-RV-FS-1-SO | Heavy Duty Fridge Slide - 450L x 770W x 110H (external incl. Travel Lock) | \$472.00 | N/A |
| PS/PA-RV-FS-1.5 | Heavy Duty Fridge Slide - 750L x 530W x 80H (external incl. Travel Lock) | \$520.00 | \$570.00 |
| PS/PA-RV-FS-2 | Heavy Duty Fridge Slide - 850L x 560W x 80H (external incl. Travel Lock) | \$567.00 | \$617.00 |
| PS-RV-FS-2-SO | Heavy Duty Fridge Slide - 550L x 870W x 110H (external incl. Travel Lock) | \$567.00 | N/A |
| PS/PA-RV-FS-2.25 | Heavy Duty Fridge Slide - 950L x 560W x 80H (external incl. Travel Lock) | \$590.00 | \$640.00 |
| RV-070304-HCB | Rear Cargo Barrier - Half height for fitment to RV drawer system, ADR Compliant | \$685.00 | N/A |

Inbuilt Fridge Slide latch will not fit in the fascia at 970W. To accommodate an inbuilt fridge slide the unit will be made at 900W so fascias are large enough.
Travel Slide Drawers available on page 181.
A cargo shelf or fridge enclosure cannot be installed if the fridge is on top of a slimline or travel slide drawer due to interference with the pelmet.
Inbuilt Fridge Slide N/A for trade height alloy drawers.

| VEHICLE MAKE MODEL | JEEP JT GLADIATOR RUBICON, OVERLAND, NIGHT EAGLE (JAN 2020+) - 1500x1020 / 1450x1020 JEEP | | |
|---|--|------------|------------|
| PA: Premium Alloy PS: Premium Steel EL: EcoLite | TRADE HEIGHT DRAWERS +\$100 PER DRAWER | | |
| | PREMLBK: PREMIUM BLACK RRP +180.00 (option) | | |
| | DESCRIPTION (PRICES INCLUDE WING KIT UNLESS OTHERWISE STATED) | PS RRP | PA RRP |
| PS/PA-130301-155127-SSL | Single Drawer & Wing Kit - Standard Height to Passenger Side 1500L x 510W x 275H | \$1,540.00 | \$1,690.00 |
| PS/PA-130301-155127-SSR | Single Drawer & Wing Kit - Standard Height to Driver Side 1500L x 510W x 275H | \$1,540.00 | \$1,690.00 |
| PS/PA-130301-455136-SHL | Single Drawer & Wing Kit - Trade Height to Passenger Side 1450L x 510W x 365H | \$1,615.00 | \$1,765.00 |
| PS/PA-130301-455136-SHR | Single Drawer & Wing Kit - Trade Height to Driver Side 1450L x 510W x 365H | \$1,615.00 | \$1,765.00 |
| EL-130301-151227-TDS | EcoLite Twin Drawer & Wing Kit - Standard Height 1500L x 1020W x 275H | \$2,150.00 | N/A |
| PS/PA-130301-151227-TDS | Twin Drawer & Wing Kit - Standard Height 1500L x 1020W x 275H | \$2,980.00 | \$3,280.00 |
| PS-130301-451236-TDH | Twin Drawer & Wing Kit - Trade Height 1450L x 1020W x 365H | \$3,125.00 | N/A |
| PS/PA-130301-451230-FDC-E/D | Fridge Drawer Combo with 30L Engel/Dometic Fitkit - 1450L x 1020W x 300H **Fridge not included Liftout Hatch provided to access space behind the fridge (100mm narrower if tie downs added to top) - 683L x 431W | \$2,690.00 | \$2,840.00 |
| PS/PA-130301-451236-FDC-EK | Fridge Drawer Combo with 40L EvaKool Fitkit - 1450L x 1020W x 365H **Fridge not included Liftout Hatch provided to access space behind the fridge (100mm narrower if tie downs added to top) - 683L x 560W | \$2,800.00 | \$2,950.00 |
| PS/PA-130301-451236-FDC-IM | Fridge Drawer Combo with 40L Ironman Fitkit - 1450L x 1020W x 365H **Fridge not included Liftout Hatch provided to access space behind the fridge (100mm narrower if tie downs added to top) - 683L x 510W | \$2,800.00 | \$2,950.00 |
| PS/PA-130301-451236-FDC-BM | Fridge Drawer Combo with 30L Bushman Fitkit - 1450L x 1020W x 365H **Fridge not included Liftout Hatch provided to access space behind the fridge (100mm narrower if tie downs added to top) - 683L x 431W | \$2,800.00 | \$2,950.00 |
| PS/PA-130301-151227-1SL | Easy Access Combo 1 & Wing Kit - Small Low Platform to Passenger Side (Gap size 510W). Single Drawer O/A 1500L x 510W x 275H. Total Combo O/A 1500L x 1020W x 275H. (Suits RV-FS-1 or 3*Not Included) | \$2,465.00 | \$2,615.00 |
| PS/PA-130301-151227-1SR | Easy Access Combo 1 & Wing Kit - Small Low Platform to Driver Side (Gap size 510W). Single Drawer O/A 1500L x 510W x 275H. Total Combo O/A 1500L x 1020W x 275H. (Suits RV-FS-1 or 3*Not Included) | \$2,465.00 | \$2,615.00 |
| PS/PA-130301-151227-1LL | Easy Access Combo 1 & Wing Kit - Large Low Platform to Passenger Side (Gap size 570W). Single Drawer O/A 1500L x 450W x 275H. Total Combo O/A 1500L x 1020W x 275H. (Suits all RV-FS listed below except SO *Not Included) | \$2,465.00 | \$2,615.00 |
| PS/PA-130301-151227-1LR | Easy Access Combo 1 & Wing Kit - Large Low Platform to Driver Side (Gap size 570W). Single Drawer O/A 1500L x 450W x 275H. Total Combo O/A 1500L x 1020W x 275H. (Suits all RV-FS listed below except SO *Not Included) | \$2,465.00 | \$2,615.00 |
| PS/PA-130301-151227-2SL | Easy Access Combo 2 & Wing Kit - Small Low Platform to Passenger Side (Gap size 510W). Double Stacked Drawers (Standard Height Bottom Drawer O/A 1500L x 510W x 275H, Trade Height Top Drawer O/A 1200L x 510W x 365H). Total Combo O/A 1500L x 1020W x 640H. (Suits RV-FS-1 or 3*Not Included). Optional 1200L Standard Height top drawer minus -\$100.00 | \$3,210.00 | \$3,510.00 |
| PS/PA-130301-151227-2SR | Easy Access Combo 2 & Wing Kit - Small Low Platform to Driver Side (Gap size 510W). Double Stacked Drawers (Standard Height Bottom Drawer O/A 1500L x 510W x 275H, Trade Height Top Drawer O/A 1200L x 510W x 365H). Total Combo O/A 1500L x 1020W x 640H. (Suits RV-FS-1 or 3*Not Included). Optional 1200L Standard Height top drawer minus -\$100.00 | \$3,210.00 | \$3,510.00 |
| PS/PA-130301-151227-2LL | Easy Access Combo 2 & Wing Kit - Large Low Platform to Passenger Side (Gap size 570W). Double Stacked Drawers (Standard Height Bottom Drawer O/A 1500L x 450W x 275H, Trade Height Top Drawer O/A 1200L x 450W x 365H). Total Combo O/A 1500L x 1020W x 640H. (Suits all RV-FS listed below except SO *Not Included). Optional 1200L Standard Height top drawer minus -\$100.00 | \$3,210.00 | \$3,510.00 |
| PS/PA-130301-151227-2LR | Easy Access Combo 2 & Wing Kit - Large Low Platform to Driver Side (Gap size 570W). Double Stacked Drawers (Standard Height Bottom Drawer O/A 1500L x 450W x 275H, Trade Height Top Drawer O/A 1200L x 450W x 365H). Total Combo O/A 1500L x 1020W x 640H. (Suits all RV-FS listed below except SO *Not Included). Optional 1200L Standard Height top drawer minus -\$100.00 | \$3,210.00 | \$3,510.00 |
| RV-EAC-IFP-1500 | Easy Access Combo INFILL PANEL - covers fridge slide cavity to create a flat solid top effect (NOTE: top drawer must be removed on EAC-2 systems) | \$224.00 | N/A |
| RV-CS-1451-00 | Cargo Shelf single - 1400L Ventilated side panel and solid top shelf to fit FS-1 (small fridge space) Suits EAC-1 1400L x 1020W | \$803.00 | N/A |
| RV-CS-1457-00 | Cargo Shelf single - 1400L Ventilated side panel and solid top shelf to fit FS-1.5 & FS-2 (large fridge space) Suits EAC-1 1400L x 1020W | \$803.00 | N/A |
| RV-CS-0812-00 | Cargo Shelf double - 800L Ventilated side panel and solid top shelf system. Fits EAC-2 1400L x 1020W fitted with a Trade Height top drawer | \$567.00 | N/A |
| RV-IBFS-1300-DS | Inbuilt Fridge Slide - flush fitting 1300L (Driver Side) <i>Premium drawers only</i> | \$472.00 | N/A |
| RV-IBFS-1300-PS | Inbuilt Fridge Slide - flush fitting 1300L (Passenger Side) <i>Premium drawers only</i> | \$472.00 | N/A |
| PS/PA-RV-FS-1 | Heavy Duty Fridge Slide - 750L x 455W x 80H (external incl. Travel Lock) | \$472.00 | \$522.00 |
| PS-RV-FS-1-SO | Heavy Duty Fridge Slide - 450L x 770W x 110H (external incl. Travel Lock) | \$472.00 | N/A |
| PS/PA-RV-FS-1.5 | Heavy Duty Fridge Slide - 750L x 530W x 80H (external incl. Travel Lock) | \$520.00 | \$570.00 |
| PS/PA-RV-FS-2 | Heavy Duty Fridge Slide - 850L x 560W x 80H (external incl. Travel Lock) | \$567.00 | \$617.00 |
| PS-RV-FS-2-SO | Heavy Duty Fridge Slide - 550L x 870W x 110H (external incl. Travel Lock) | \$567.00 | N/A |
| PS/PA-RV-FS-2.25 | Heavy Duty Fridge Slide - 950L x 560W x 80H (external incl. Travel Lock) | \$590.00 | \$640.00 |
| PS/PA-RV-FS-2.5 | Heavy Duty Fridge Slide - 1050L x 560W x 80H (external incl. Travel Lock) | \$685.00 | \$735.00 |
| PS/PA-RV-FS-3 | Heavy Duty Fridge Slide - 1410L x 455W x 80H (external incl. Travel Lock) | \$886.00 | \$961.00 |
| PS/PA-RV-FS-3.5 | Heavy Duty Fridge Slide - 1410L x 560W x 80H (external incl. Travel Lock) | \$886.00 | \$961.00 |

Travel Slide Drawers available on page 181
 Inbuilt Fridge Slides N/A for alloy drawers

| | | | | |
|---|---|------------|----------|------------------|
| VEHICLE MAKE MODEL | LANDROVER DEFENDER 110 Xtreme, TR, SVX (1993 - CURRENT) - 1000x750 | | | LANDROVER |
| PS: Premium Steel | PREMBLK: PREMIUM BLACK RRP +180.00 (option) | | | |
| | DESCRIPTION (PRICES INCLUDE WING KIT UNLESS OTHERWISE STATED) | PS RRP | PA RRP | |
| PS-120201-107524-SDS | Single Drawer & Twin Wing Kit - Standard Height 1000L x 750W x 245H - <i>ALLOY DRAWER not available</i> | \$2,305.00 | N/A | |
| PS/PA-RV-FS-1 | Heavy Duty Fridge Slide - 750L x 455W x 80H (external incl. Travel Lock) | \$472.00 | \$522.00 | |
| PS-RV-FS-1-SO | Heavy Duty Fridge Slide - 450L x 770W x 110H (external incl. Travel Lock) | \$472.00 | N/A | |
| PS/PA-RV-FS-1.5 | Heavy Duty Fridge Slide - 750L x 530W x 80H (external incl. Travel Lock) | \$520.00 | \$570.00 | |
| PS/PA-RV-FS-2 | Heavy Duty Fridge Slide - 850L x 560W x 80H (external incl. Travel Lock) | \$567.00 | \$617.00 | |
| PS-RV-FS-2-SO | Heavy Duty Fridge Slide - 550L x 870W x 110H (external incl. Travel Lock) | \$567.00 | N/A | |
| RV-120201-HCB | Rear Cargo Barrier - Half height for fitment to RV drawer system, ADR Compliant | \$685.00 | N/A | |
| No Trade Height Option Available Rear Cargo Barrier only available for Standard Height | | | | |

| VEHICLE MAKE MODEL | LANDROVER DISCOVERY 3 5 Seater S, SE, HSE (APRIL 2005 - SEP 2009) - 900x900 | LANDROVER | |
|---|---|------------|------------|
| TRADE HEIGHT DRAWERS +\$100 PER DRAWER | | | |
| PREMBLK: PREMIUM BLACK RRP +180.00 (option) | | | |
| PA: Premium Alloy PS: Premium Steel EL: EcoLite | DESCRIPTION (PRICES INCLUDE WING KIT UNLESS OTHERWISE STATED) | PS RRP | PA RRP |
| EL-120105-099027-TDS | EcoLite Twin Drawer & Wing Kit - Standard Height 900L x 900W x 275H (Subframe included) | \$2,010.00 | N/A |
| PS/PA-120105-099027-TDS | Twin Drawer & Wing Kit - Standard Height 900L x 900W x 275H (Subframe included) | \$2,705.00 | \$3,005.00 |
| PS/PA-120105-099030-FDC-E/D | Fridge Drawer Combo with 30L Engel/Dometic Fitkit - 900L x 900W x 300H (Subframe included) *Fridge not included Liftout Hatch provided to access space behind the fridge (100mm narrower if tie downs added to top) - 133L x 431W | \$2,735.00 | \$2,885.00 |
| PA-120105-099030-FDS-E/D | Engel/Dometic Fridge Drawer Stacker with Engel/Dometic Fitkit - 900L x 900W x 300H (Subframe included) *Fridge not included Liftout Hatch provided to access space behind the fridge (100mm narrower if tie downs added to top) - 133L x 431W | N/A | \$3,721.00 |
| PS/PA-120105-099027-1SL | Easy Access Combo 1 & Wing Kit - Small Low Platform to Passenger Side (Gap size 500W). Single Drawer O/A 900L x 400W x 275H. Total Combo O/A 900L x 900W x 275H. (Subframe included) (Suits RV-FS-1 *Not Included) (Cargo Shelf Not Suitable) | \$2,245.00 | \$2,395.00 |
| PS/PA-120105-099027-1SR | Easy Access Combo 1 & Wing Kit - Small Low Platform to Driver Side (Gap size 500W). Single Drawer O/A 900L x 400W x 275H. Total Combo O/A 900L x 900W x 275H. (Subframe included) (Suits RV-FS-1 *Not Included) (Cargo Shelf Not Suitable) | \$2,245.00 | \$2,395.00 |
| PS/PA-120105-099027-1LL | Easy Access Combo 1 & Wing Kit - Large Low Platform to Passenger Side (Gap size 570W). Single Drawer O/A 900L x 330W x 275H. Total Combo O/A 900L x 900W x 275H. (Subframe included) (Suits all RV-FS listed below except SO *Not Included) (Cargo Shelf Not Suitable) | \$2,245.00 | \$2,395.00 |
| PS/PA-120105-099027-1LR | Easy Access Combo 1 & Wing Kit - Large Low Platform to Driver Side (Gap size 570W). Single Drawer O/A 900L x 330W x 275H. Total Combo O/A 900L x 900W x 275H. (Subframe included) (Suits all RV-FS listed below except SO *Not Included) (Cargo Shelf Not Suitable) | \$2,245.00 | \$2,395.00 |
| PS/PA-120105-099027-2SL | Easy Access Combo 2 & Wing Kit - Small Low Platform to Passenger Side (Gap size 500W). Double Stacked Drawers (Standard Height Bottom Drawer O/A 900L x 400W x 275H, Trade Height Top Drawer O/A 700L x 400W x 365H). Total Combo O/A 900L x 900W x 640H. (Subframe included) (Suits RV-FS-1 *Not Included) (Cargo Shelf Not Suitable). Optional 700L Standard Height top drawer minus -\$100.00 | \$2,935.00 | \$3,235.00 |
| PS/PA-120105-099027-2SR | Easy Access Combo 2 & Wing Kit - Small Low Platform to Driver Side (Gap size 500W). Double Stacked Drawers (Standard Height Bottom Drawer O/A 900L x 400W x 275H, Trade Height Top Drawer O/A 700L x 400W x 365H). Total Combo O/A 900L x 900W x 640H. (Subframe included) (Suits RV-FS-1 *Not Included) (Cargo Shelf Not Suitable). Optional 700L Standard Height top drawer minus -\$100.00 | \$2,935.00 | \$3,235.00 |
| PS/PA-120105-099027-2LL | Easy Access Combo 2 & Wing Kit - Large Low Platform to Passenger Side (Gap size 570W). Double Stacked Drawers (Standard Height Bottom Drawer O/A 900L x 330W x 275H, Trade Height Top Drawer O/A 700L x 330W x 365H). Total Combo O/A 900L x 900W x 640H. (Subframe included) (Suits all RV-FS listed below except SO *Not Included) (Cargo Shelf Not Suitable). Optional 700L Standard Height top drawer minus -\$100.00 | \$2,935.00 | \$3,235.00 |
| PS/PA-120105-099027-2LR | Easy Access Combo 2 & Wing Kit - Large Low Platform to Driver Side (Gap size 570W). Double Stacked Drawers (Standard Height Bottom Drawer O/A 900L x 330W x 275H, Trade Height Top Drawer O/A 700L x 330W x 365H). Total Combo O/A 900L x 900W x 640H. (Subframe included) (Suits all RV-FS listed below except SO *Not Included) (Cargo Shelf Not Suitable). Optional 700L Standard Height top drawer minus -\$100.00 | \$2,935.00 | \$3,235.00 |
| RV-EAC-IFP-900 | Easy Access Combo INFILL PANEL - covers fridge slide cavity to create a flat solid top effect (NOTE: top drawer must be removed on EAC-2 systems) | \$164.00 | N/A |
| RV-IBFS-900-PS | Inbuilt Fridge Slide - flush fitting 900L (Passenger Side) Premium drawers only | \$413.00 | \$413.00 |
| PS/PA-RV-FS-1 | Heavy Duty Fridge Slide - 750L x 455W x 80H (external incl. Travel Lock) | \$472.00 | \$522.00 |
| RV-FS-1-SO | Heavy Duty Fridge Slide - 450L x 770W x 110H (external incl. Travel Lock) | \$472.00 | N/A |
| PS/PA-RV-FS-1.5 | Heavy Duty Fridge Slide - 750L x 530W x 80H (external incl. Travel Lock) | \$520.00 | \$570.00 |
| PS/PA-RV-FS-2 | Heavy Duty Fridge Slide - 850L x 560W x 80H (external incl. Travel Lock) | \$567.00 | \$617.00 |
| RV-FS-2-SO | Heavy Duty Fridge Slide - 550L x 870W x 110H (external incl. Travel Lock) | \$567.00 | N/A |
| RV-120105-HCB | Rear Cargo Barrier - Half height for fitment to RV drawer system, ADR Compliant | \$685.00 | N/A |
| <p>No Trade Height Option Available Rear Cargo Barrier only available for Standard Height Travel Slide Drawers available on page 181</p> | | | |

| VEHICLE MAKE MODEL | LANDROVER DISCOVERY 3 7 Seater S, SE, HSE (APRIL 2005 - SEP 2009) - 900x900 LANDROVER | | |
|---|---|------------|------------|
| PA: Premium Alloy PS: Premium Steel EL: EcoLite | TRADE HEIGHT DRAWERS +\$100 PER DRAWER | | |
| | PREMBLK: PREMIUM BLACK RRP +180.00 (option) | | |
| | DESCRIPTION (PRICES INCLUDE WING KIT UNLESS OTHERWISE STATED) | PS RRP | PA RRP |
| EL-120106-099027-TDS | EcoLite Twin Drawer & Wing Kit - Standard Height 900L x 900W x 275H (Subframe included) | \$2,010.00 | N/A |
| PS/PA-120106-099027-TDS | Twin Drawer & Wing Kit - Standard Height 900L x 900W x 275H (Subframe included) | \$2,705.00 | \$3,005.00 |
| PS/PA-120106-099030-FDC-E/D | Fridge Drawer Combo with 30L Engel/Dometic Fitkit - 900L x 900W x 300H (Subframe included) *Fridge not included Liftout Hatch provided to access space behind the fridge (100mm narrower if tie downs added to top) - 133L x 431W | \$2,735.00 | \$2,885.00 |
| PA-120106-099030-FDS-E/D | Engel/Dometic Fridge Drawer Stacker with Engel/Dometic Fitkit - 900L x 900W x 300H (Subframe included) *Fridge not included Liftout Hatch provided to access space behind the fridge (100mm narrower if tie downs added to top) - 133L x 431W | N/A | \$3,721.00 |
| PS/PA-120106-099027-1SL | Easy Access Combo 1 & Wing Kit - Small Low Platform to Passenger Side (Gap size 500W). Single Drawer O/A 900L x 400W x 275H. Total Combo O/A 900L x 900W x 275H. (Subframe included) (Suits RV-FS-1 *Not Included) (Cargo Shelf Not Suitable) | \$2,245.00 | \$2,395.00 |
| PS/PA-120106-099027-1SR | Easy Access Combo 1 & Wing Kit - Small Low Platform to Driver Side (Gap size 500W). Single Drawer O/A 900L x 400W x 275H. Total Combo O/A 900L x 900W x 275H. (Subframe included) (Suits RV-FS-1 *Not Included) (Cargo Shelf Not Suitable) | \$2,245.00 | \$2,395.00 |
| PS/PA-120106-099027-1LL | Easy Access Combo 1 & Wing Kit - Large Low Platform to Passenger Side (Gap size 570W). Single Drawer O/A 900L x 330W x 275H. Total Combo O/A 900L x 900W x 275H. (Subframe included) (Suits all RV-FS listed below except SO *Not Included) (Cargo Shelf Not Suitable) | \$2,245.00 | \$2,395.00 |
| PS/PA-120106-099027-1LR | Easy Access Combo 1 & Wing Kit - Large Low Platform to Driver Side (Gap size 570W). Single Drawer O/A 900L x 330W x 275H. Total Combo O/A 900L x 900W x 275H. (Subframe included) (Suits all RV-FS listed below except SO *Not Included) (Cargo Shelf Not Suitable) | \$2,245.00 | \$2,395.00 |
| PS/PA-120106-099027-2SL | Easy Access Combo 2 & Wing Kit - Small Low Platform to Passenger Side (Gap size 500W). Double Stacked Drawers (Standard Height Bottom Drawer O/A 900L x 400W x 275H, Trade Height Top Drawer O/A 700L x 400W x 365H). Total Combo O/A 900L x 900W x 640H. (Subframe included) (Suits RV-FS-1 *Not Included) (Cargo Shelf Not Suitable). Optional 700L Standard Height top drawer minus -\$100.00 | \$2,935.00 | \$3,235.00 |
| PS/PA-120106-099027-2SR | Easy Access Combo 2 & Wing Kit - Small Low Platform to Driver Side (Gap size 500W). Double Stacked Drawers (Standard Height Bottom Drawer O/A 900L x 400W x 275H, Trade Height Top Drawer O/A 700L x 400W x 365H). Total Combo O/A 900L x 900W x 640H. (Subframe included) (Suits RV-FS-1 *Not Included) (Cargo Shelf Not Suitable). Optional 700L Standard Height top drawer minus -\$100.00 | \$2,935.00 | \$3,235.00 |
| PS/PA-120106-099027-2LL | Easy Access Combo 2 & Wing Kit - Large Low Platform to Passenger Side (Gap size 570W). Double Stacked Drawers (Standard Height Bottom Drawer O/A 900L x 330W x 275H, Trade Height Top Drawer O/A 700L x 330W x 365H). Total Combo O/A 900L x 900W x 640H. (Subframe included) (Suits all RV-FS listed below except SO *Not Included) (Cargo Shelf Not Suitable). Optional 700L Standard Height top drawer minus -\$100.00 | \$2,935.00 | \$3,235.00 |
| PS/PA-120106-099027-2LR | Easy Access Combo 2 & Wing Kit - Large Low Platform to Driver Side (Gap size 570W). Double Stacked Drawers (Standard Height Bottom Drawer O/A 900L x 330W x 275H, Trade Height Top Drawer O/A 700L x 330W x 365H). Total Combo O/A 900L x 900W x 640H. (Subframe included) (Suits all RV-FS listed below except SO *Not Included) (Cargo Shelf Not Suitable). Optional 700L Standard Height top drawer minus -\$100.00 | \$2,935.00 | \$3,235.00 |
| RV-EAC-IFP-900 | Easy Access Combo INFILL PANEL - covers fridge slide cavity to create a flat solid top effect (NOTE: top drawer must be removed on EAC-2 systems) | \$164.00 | N/A |
| RV-IBFS-900-PS | Inbuilt Fridge Slide - flush fitting 900L (Passenger Side) Premium drawers only | \$413.00 | \$413.00 |
| PS/PA-RV-FS-1 | Heavy Duty Fridge Slide - 750L x 455W x 80H (external incl. Travel Lock) | \$472.00 | \$522.00 |
| RV-FS-1-SO | Heavy Duty Fridge Slide - 450L x 770W x 110H (external incl. Travel Lock) | \$472.00 | N/A |
| PS/PA-RV-FS-1.5 | Heavy Duty Fridge Slide - 750L x 530W x 80H (external incl. Travel Lock) | \$520.00 | \$570.00 |
| PS/PA-RV-FS-2 | Heavy Duty Fridge Slide - 850L x 560W x 80H (external incl. Travel Lock) | \$567.00 | \$617.00 |
| RV-FS-2-SO | Heavy Duty Fridge Slide - 550L x 870W x 110H (external incl. Travel Lock) | \$567.00 | N/A |
| RV-120106-HCB | Rear Cargo Barrier - Half height for fitment to RV drawer system, ADR Compliant | \$685.00 | N/A |
| No Trade Height Option Available Rear Cargo Barrier only available for Standard Height Travel Slide Drawers available on page 181 | | | |

| VEHICLE MAKE MODEL | LANDROVER DISCOVERY 4 5 Seater S, SE, HSE (2009+) - 900x900 | LANDROVER | |
|---|---|------------|------------|
| TRADE HEIGHT DRAWERS +\$100 PER DRAWER | | | |
| PREMBLK: PREMIUM BLACK RRP +180.00 (option) | | | |
| DESCRIPTION (PRICES INCLUDE WING KIT UNLESS OTHERWISE STATED) | | PS RRP | PA RRP |
| EL-120107-099027-TDS | EcoLite Twin Drawer & Wing Kit - Standard Height 900L x 900W x 275H (Subframe included) | \$2,010.00 | N/A |
| PS/PA-120107-099027-TDS | Twin Drawer & Wing Kit - Standard Height 900L x 900W x 275H (Subframe included) | \$2,705.00 | \$3,005.00 |
| PS/PA-120107-099030-FDC-E/D | Fridge Drawer Combo with 30L Engel/Dometic Fitkit - 900L x 900W x 300H (Subframe included) *Fridge not included Liftout Hatch provided to access space behind the fridge (100mm narrower if tie downs added to top) - 133L x 431W | \$2,735.00 | \$2,885.00 |
| PA-120107-099030-FDS-E/D | Engel/Dometic Fridge Drawer Stacker with Engel/Dometic Fitkit - 900L x 900W x 300H (Subframe included) *Fridge not included Liftout Hatch provided to access space behind the fridge (100mm narrower if tie downs added to top) - 133L x 431W | N/A | \$3,721.00 |
| PS/PA-120107-099027-1SL | Easy Access Combo 1 & Wing Kit - Small Low Platform to Passenger Side (Gap size 500W). Single Drawer O/A 900L x 400W x 275H. Total Combo O/A 900L x 900W x 275H. (Subframe included) (Suits RV-FS-1 *Not Included) (Cargo Shelf Not Suitable) | \$2,245.00 | \$2,395.00 |
| PS/PA-120107-099027-1SR | Easy Access Combo 1 & Wing Kit - Small Low Platform to Driver Side (Gap size 500W). Single Drawer O/A 900L x 400W x 275H. Total Combo O/A 900L x 900W x 275H. (Subframe included) (Suits RV-FS-1 *Not Included) (Cargo Shelf Not Suitable) | \$2,245.00 | \$2,395.00 |
| PS/PA-120107-099027-1LL | Easy Access Combo 1 & Wing Kit - Large Low Platform to Passenger Side (Gap size 570W). Single Drawer O/A 900L x 330W x 275H. Total Combo O/A 900L x 900W x 275H. (Subframe included) (Suits all RV-FS listed below except SO *Not Included) (Cargo Shelf Not Suitable) | \$2,245.00 | \$2,395.00 |
| PS/PA-120107-099027-1LR | Easy Access Combo 1 & Wing Kit - Large Low Platform to Driver Side (Gap size 570W). Single Drawer O/A 900L x 330W x 275H. Total Combo O/A 900L x 900W x 275H. (Subframe included) (Suits all RV-FS listed below except SO *Not Included) (Cargo Shelf Not Suitable) | \$2,245.00 | \$2,395.00 |
| PS/PA-120107-099027-2SL | Easy Access Combo 2 & Wing Kit - Small Low Platform to Passenger Side (Gap size 500W). Double Stacked Drawers (Standard Height Bottom Drawer O/A 900L x 400W x 275H, Trade Height Top Drawer O/A 700L x 400W x 365H). Total Combo O/A 900L x 900W x 640H. (Subframe included) (Suits RV-FS-1 *Not Included) (Cargo Shelf Not Suitable). Optional 700L Standard Height top drawer minus -\$100.00 | \$2,935.00 | \$3,235.00 |
| PS/PA-120107-099027-2SR | Easy Access Combo 2 & Wing Kit - Small Low Platform to Driver Side (Gap size 500W). Double Stacked Drawers (Standard Height Bottom Drawer O/A 900L x 400W x 275H, Trade Height Top Drawer O/A 700L x 400W x 365H). Total Combo O/A 900L x 900W x 640H. (Subframe included) (Suits RV-FS-1 *Not Included) (Cargo Shelf Not Suitable). Optional 700L Standard Height top drawer minus -\$100.00 | \$2,935.00 | \$3,235.00 |
| PS/PA-120107-099027-2LL | Easy Access Combo 2 & Wing Kit - Large Low Platform to Passenger Side (Gap size 570W). Double Stacked Drawers (Standard Height Bottom Drawer O/A 900L x 330W x 275H, Trade Height Top Drawer O/A 700L x 330W x 365H). Total Combo O/A 900L x 900W x 640H. (Subframe included) (Suits all RV-FS listed below except SO *Not Included) (Cargo Shelf Not Suitable). Optional 700L Standard Height top drawer minus -\$100.00 | \$2,935.00 | \$3,235.00 |
| PS/PA-120107-099027-2LR | Easy Access Combo 2 & Wing Kit - Large Low Platform to Driver Side (Gap size 570W). Double Stacked Drawers (Standard Height Bottom Drawer O/A 900L x 330W x 275H, Trade Height Top Drawer O/A 700L x 330W x 365H). Total Combo O/A 900L x 900W x 640H. (Subframe included) (Suits all RV-FS listed below except SO *Not Included) (Cargo Shelf Not Suitable). Optional 700L Standard Height top drawer minus -\$100.00 | \$2,935.00 | \$3,235.00 |
| RV-EAC-IFP-900 | Easy Access Combo INFILL PANEL - covers fridge slide cavity to create a flat solid top effect (NOTE: top drawer must be removed on EAC-2 systems) | \$164.00 | N/A |
| RV-IBFS-900-PS | Inbuilt Fridge Slide - flush fitting 900L (Passenger Side) Premium drawers only | \$413.00 | \$413.00 |
| PS/PA-RV-FS-1 | Heavy Duty Fridge Slide - 750L x 455W x 80H (external incl. Travel Lock) | \$472.00 | \$522.00 |
| RV-FS-1-SO | Heavy Duty Fridge Slide - 450L x 770W x 110H (external incl. Travel Lock) | \$472.00 | N/A |
| PS/PA-RV-FS-1.5 | Heavy Duty Fridge Slide - 750L x 530W x 80H (external incl. Travel Lock) | \$520.00 | \$570.00 |
| PS/PA-RV-FS-2 | Heavy Duty Fridge Slide - 850L x 560W x 80H (external incl. Travel Lock) | \$567.00 | \$617.00 |
| RV-FS-2-SO | Heavy Duty Fridge Slide - 550L x 870W x 110H (external incl. Travel Lock) | \$567.00 | N/A |
| RV-120107-HCB | Rear Cargo Barrier - Half height for fitment to RV drawer system, ADR Compliant | \$685.00 | N/A |
| <p>No Trade Height Option Available Rear Cargo Barrier only available for Standard Height EvaKool Fridge Drawer Combo not available Travel Slide Drawers available on page 181</p> | | | |

| VEHICLE MAKE MODEL | LANDROVER DISCOVERY 4 7 Seater S, SE, HSE (2009+) - 900x900 | LANDROVER | | |
|---|---|---|------------|------------|
| TRADE HEIGHT DRAWERS +\$100 PER DRAWER | | | | |
| PREMBLK: PREMIUM BLACK RRP +180.00 (option) | | | | |
| PA: Premium Alloy PS: Premium Steel EL: EcoLite | | DESCRIPTION (PRICES INCLUDE WING KIT UNLESS OTHERWISE STATED) | PS RRP | PA RRP |
| EL-120108-099027-TDS | EcoLite Twin Drawer & Wing Kit - Standard Height 900L x 900W x 275H (Subframe included) | | \$2,010.00 | N/A |
| PS/PA-120108-099027-TDS | Twin Drawer & Wing Kit - Standard Height 900L x 900W x 275H (Subframe included) | | \$2,705.00 | \$3,005.00 |
| PS/PA-120108-099030-FDC-E/D | Fridge Drawer Combo with 30L Engel/Dometic Fitkit - 900L x 900W x 300H (Subframe included) *Fridge not included Liftout Hatch provided to access space behind the fridge (100mm narrower if tie downs added to top) - 133L x 431W | | \$2,735.00 | \$2,885.00 |
| PA-120108-099030-FDS-E/D | Engel/Dometic Fridge Drawer Stacker with Engel/Dometic Fitkit - 900L x 900W x 300H (Subframe included) *Fridge not included Liftout Hatch provided to access space behind the fridge (100mm narrower if tie downs added to top) - 133L x 431W | | N/A | \$3,721.00 |
| PS/PA-120108-099027-1SL | Easy Access Combo 1 & Wing Kit - Small Low Platform to Passenger Side (Gap size 500W). Single Drawer O/A 900L x 400W x 275H. Total Combo O/A 900L x 900W x 275H. (Subframe included) (Suits RV-FS-1 *Not Included) (Cargo Shelf Not Suitable) | | \$2,245.00 | \$2,395.00 |
| PS/PA-120108-099027-1SR | Easy Access Combo 1 & Wing Kit - Small Low Platform to Driver Side (Gap size 500W). Single Drawer O/A 900L x 400W x 275H. Total Combo O/A 900L x 900W x 275H. (Subframe included) (Suits RV-FS-1 *Not Included) (Cargo Shelf Not Suitable) | | \$2,245.00 | \$2,395.00 |
| PS/PA-120108-099027-1LL | Easy Access Combo 1 & Wing Kit - Large Low Platform to Passenger Side (Gap size 570W). Single Drawer O/A 900L x 330W x 275H. Total Combo O/A 900L x 900W x 275H. (Subframe included) (Suits all RV-FS listed below except SO *Not Included) (Cargo Shelf Not Suitable) | | \$2,245.00 | \$2,395.00 |
| PS/PA-120108-099027-1LR | Easy Access Combo 1 & Wing Kit - Large Low Platform to Driver Side (Gap size 570W). Single Drawer O/A 900L x 330W x 275H. Total Combo O/A 900L x 900W x 275H. (Subframe included) (Suits all RV-FS listed below except SO *Not Included) (Cargo Shelf Not Suitable) | | \$2,245.00 | \$2,395.00 |
| PS/PA-120108-099027-2SL | Easy Access Combo 2 & Wing Kit - Small Low Platform to Passenger Side (Gap size 500W). Double Stacked Drawers (Standard Height Bottom Drawer O/A 900L x 400W x 275H, Trade Height Top Drawer O/A 700L x 400W x 365H). Total Combo O/A 900L x 900W x 640H. (Subframe included) (Suits RV-FS-1 *Not Included) (Cargo Shelf Not Suitable). Optional 700L Standard Height top drawer minus -\$100.00 | | \$2,935.00 | \$3,235.00 |
| PS/PA-120108-099027-2SR | Easy Access Combo 2 & Wing Kit - Small Low Platform to Driver Side (Gap size 500W). Double Stacked Drawers (Standard Height Bottom Drawer O/A 900L x 400W x 275H, Trade Height Top Drawer O/A 700L x 400W x 365H). Total Combo O/A 900L x 900W x 640H. (Subframe included) (Suits RV-FS-1 *Not Included) (Cargo Shelf Not Suitable). Optional 700L Standard Height top drawer minus -\$100.00 | | \$2,935.00 | \$3,235.00 |
| PS/PA-120108-099027-2LL | Easy Access Combo 2 & Wing Kit - Large Low Platform to Passenger Side (Gap size 570W). Double Stacked Drawers (Standard Height Bottom Drawer O/A 900L x 330W x 275H, Trade Height Top Drawer O/A 700L x 330W x 365H). Total Combo O/A 900L x 900W x 640H. (Subframe included) (Suits all RV-FS listed below except SO *Not Included) (Cargo Shelf Not Suitable). Optional 700L Standard Height top drawer minus -\$100.00 | | \$2,935.00 | \$3,235.00 |
| PS/PA-120108-099027-2LR | Easy Access Combo 2 & Wing Kit - Large Low Platform to Driver Side (Gap size 570W). Double Stacked Drawers (Standard Height Bottom Drawer O/A 900L x 330W x 275H, Trade Height Top Drawer O/A 700L x 330W x 365H). Total Combo O/A 900L x 900W x 640H. (Subframe included) (Suits all RV-FS listed below except SO *Not Included) (Cargo Shelf Not Suitable). Optional 700L Standard Height top drawer minus -\$100.00 | | \$2,935.00 | \$3,235.00 |
| RV-EAC-IFP-900 | Easy Access Combo INFILL PANEL - covers fridge slide cavity to create a flat solid top effect (NOTE: top drawer must be removed on EAC-2 systems) | | \$164.00 | N/A |
| RV-IBFS-900-PS | Inbuilt Fridge Slide - flush fitting 900L (Passenger Side) Premium drawers only | | \$413.00 | \$413.00 |
| PS/PA-RV-FS-1 | Heavy Duty Fridge Slide - 750L x 455W x 80H (external incl. Travel Lock) | | \$472.00 | \$522.00 |
| RV-FS-1-SO | Heavy Duty Fridge Slide - 450L x 770W x 110H (external incl. Travel Lock) | | \$472.00 | N/A |
| PS/PA-RV-FS-1.5 | Heavy Duty Fridge Slide - 750L x 530W x 80H (external incl. Travel Lock) | | \$520.00 | \$570.00 |
| PS/PA-RV-FS-2 | Heavy Duty Fridge Slide - 850L x 560W x 80H (external incl. Travel Lock) | | \$567.00 | \$617.00 |
| RV-FS-2-SO | Heavy Duty Fridge Slide - 550L x 870W x 110H (external incl. Travel Lock) | | \$567.00 | N/A |
| No Trade Height Option Available EvaKool Fridge Drawer Combo not available Travel Slide Drawers available on page 181 | | | | |

| VEHICLE MAKE MODEL | LDV T60 MAX DUAL CAB PRO, LUXE (SEP 2021 - MAR 2024) - 1400x1020 GENUINE TUB LINER | LDV | |
|---|--|------------|------------|
| PA: Premium Alloy PS: Premium Steel EL: EcoLite | TRADE HEIGHT DRAWERS +\$100 PER DRAWER | | |
| | PREMLBK: PREMIUM BLACK RRP +180.00 (option) | | |
| | DESCRIPTION (PRICES INCLUDE WING KIT UNLESS OTHERWISE STATED) | PS RRP | PA RRP |
| PS/PA-180201-145127-SSL | Single Drawer & Wing Kit - Standard Height to Passenger Side 1400L x 510W x 275H | \$1,485.00 | \$1,635.00 |
| PS/PA-180201-145127-SSR | Single Drawer & Wing Kit - Standard Height to Driver Side 1400L x 510W x 275H | \$1,485.00 | \$1,635.00 |
| PS/PA-180201-145136-SHL | Single Drawer & Wing Kit - Trade Height to Passenger Side 1400L x 510W x 365H | \$1,585.00 | \$1,735.00 |
| PS/PA-180201-145136-SHR | Single Drawer & Wing Kit - Trade Height to Driver Side 1400L x 510W x 365H | \$1,585.00 | \$1,735.00 |
| EL-180201-141227-TDS | EcoLite Twin Drawer & Wing Kit - Standard Height 1400L x 1020W x 275H | \$2,080.00 | N/A |
| PS/PA-180201-141227-TDS | Twin Drawer & Wing Kit - Standard Height 1400L x 1020W x 275H | \$2,870.00 | \$3,170.00 |
| PS/PA-180201-141236-TDH | Twin Drawer & Wing Kit - Trade Height 1400L x 1020W x 365H | \$3,070.00 | \$3,370.00 |
| PS/PA-180201-141230-FDC-E/D | Fridge Drawer Combo with 30L Engel/Dometic Fitkit - 1400L x 1020W x 300H **Fridge not included Liftout Hatch provided to access space behind the fridge (100mm narrower if tie downs added to top) - 583L x 431W | \$2,690.00 | \$2,840.00 |
| PS/PA-180201-141236-FDC-EK | Fridge Drawer Combo with 40L EvaKool Fitkit - 1400L x 1020W x 365H **Fridge not included Liftout Hatch provided to access space behind the fridge (100mm narrower if tie downs added to top) - 583L x 560W | \$2,800.00 | \$2,950.00 |
| PS/PA-180201-141236-FDC-IM | Fridge Drawer Combo with 40L Ironman Fitkit - 1400L x 1020W x 365H **Fridge not included Liftout Hatch provided to access space behind the fridge (100mm narrower if tie downs added to top) - 583L x 510W | \$2,800.00 | \$2,950.00 |
| PS/PA-180201-141236-FDC-BM | Fridge Drawer Combo with 30L Bushman Fitkit - 1400L x 1020W x 365H **Fridge not included Liftout Hatch provided to access space behind the fridge (100mm narrower if tie downs added to top) - 583L x 431W | \$2,800.00 | \$2,950.00 |
| PS/PA-180201-141227-1SL | Easy Access Combo 1 & Wing Kit - Small Low Platform to Passenger Side (Gap size 510W). Single Drawer O/A 1400L x 510W x 275H. Total Combo O/A 1400L x 1020W x 275H. (Suits RV-FS-1 or 3 *Not Included) | \$2,410.00 | \$3,920.00 |
| PS/PA-180201-141227-1SR | Easy Access Combo 1 & Wing Kit - Small Low Platform to Driver Side (Gap size 510W). Single Drawer O/A 1400L x 510W x 275H. Total Combo O/A 1400L x 1020W x 275H. (Suits RV-FS-1 or 3 *Not Included) | \$2,410.00 | \$2,560.00 |
| PS/PA-180201-141227-1LL | Easy Access Combo 1 & Wing Kit - Large Low Platform to Passenger Side (Gap size 570W). Single Drawer O/A 1400L x 450W x 275H. Total Combo O/A 1400L x 1020W x 275H. (Suits all RV-FS listed below except SO *Not Included) | \$2,410.00 | \$2,560.00 |
| PS/PA-180201-141227-1LR | Easy Access Combo 1 & Wing Kit - Large Low Platform to Driver Side (Gap size 570W). Single Drawer O/A 1400L x 450W x 275H. Total Combo O/A 1400L x 1020W x 275H. (Suits all RV-FS listed below except SO *Not Included) | \$2,410.00 | \$2,560.00 |
| PS/PA-180201-141227-2SL | Easy Access Combo 2 & Wing Kit - Small Low Platform to Passenger Side (Gap size 510W). Double Stacked Drawers (Standard Height Bottom Drawer O/A 1400L x 510W x 275H, Trade Height Top Drawer O/A 1400L x 510W x 365H). Total Combo O/A 1400L x 1020W x 640H. (Suits RV-FS-1 or 3 *Not Included). Optional 1400L Standard Height top drawer minus -\$100.00 | \$3,100.00 | \$3,400.00 |
| PS/PA-180201-141227-2SR | Easy Access Combo 2 & Wing Kit - Small Low Platform to Driver Side (Gap size 510W). Double Stacked Drawers (Standard Height Bottom Drawer O/A 1400L x 510W x 275H, Trade Height Top Drawer O/A 1400L x 510W x 365H). Total Combo O/A 1400L x 1020W x 640H. (Suits RV-FS-1 or 3 *Not Included). Optional 1400L Standard Height top drawer minus -\$100.00 | \$3,100.00 | \$3,400.00 |
| PS/PA-180201-141227-2LL | Easy Access Combo 2 & Wing Kit - Large Low Platform to Passenger Side (Gap size 570W). Double Stacked Drawers (Standard Height Bottom Drawer O/A 1400L x 450W x 275H, Trade Height Top Drawer O/A 1400L x 450W x 365H). Total Combo O/A 1400L x 1020W x 640H. (Suits all RV-FS listed below except SO *Not Included). Optional 1400L Standard Height top drawer minus -\$100.00 | \$3,100.00 | \$3,400.00 |
| PS/PA-180201-141227-2LR | Easy Access Combo 2 & Wing Kit - Large Low Platform to Driver Side (Gap size 570W). Double Stacked Drawers (Standard Height Bottom Drawer O/A 1400L x 450W x 275H, Trade Height Top Drawer O/A 1400L x 450W x 365H). Total Combo O/A 1400L x 1020W x 640H. (Suits all RV-FS listed below except SO *Not Included). Optional 1400L Standard Height top drawer minus -\$100.00 | \$3,100.00 | \$3,400.00 |
| RV-EAC-IFP-1400 | Easy Access Combo INFILL PANEL - covers fridge slide cavity to create a flat solid top effect (NOTE: top drawer must be removed on EAC-2 systems) | \$224.00 | N/A |
| RV-CS-1451-00 | Cargo Shelf single - 1400L Ventilated side panel and solid top shelf to fit FS-1 (small fridge space) Suits EAC-1 1400L x 1020W | \$803.00 | N/A |
| RV-CS-1457-00 | Cargo Shelf single - 1400L Ventilated side panel and solid top shelf to fit FS1.5 & FS-2 (large fridge space) Suits EAC-1 1400L x 1020W | \$803.00 | N/A |
| RV-CS-0812-00 | Cargo Shelf double - 800L Ventilated side panel and solid top shelf system. Fits EAC-2 1400L x 1020W fitted with a Trade Height top drawer | \$567.00 | N/A |
| RV-IBFS-1300-DS | Inbuilt Fridge Slide - flush fitting 1300L (Driver Side) <i>Premium drawers only</i> | \$472.00 | N/A |
| RV-IBFS-1300-PS | Inbuilt Fridge Slide - flush fitting 1300L (Passenger Side) <i>Premium drawers only</i> | \$472.00 | N/A |
| PS/PA-RV-FS-1 | Heavy Duty Fridge Slide - 750L x 455W x 80H (external incl. Travel Lock) | \$472.00 | \$522.00 |
| PS-RV-FS-1-SO | Heavy Duty Fridge Slide - 450L x 770W x 110H (external incl. Travel Lock) | \$472.00 | N/A |
| PS/PA-RV-FS-1.5 | Heavy Duty Fridge Slide - 750L x 530W x 80H (external incl. Travel Lock) | \$520.00 | \$570.00 |
| PS/PA-RV-FS-2 | Heavy Duty Fridge Slide - 850L x 560W x 80H (external incl. Travel Lock) | \$567.00 | \$617.00 |
| PS-RV-FS-2-SO | Heavy Duty Fridge Slide - 550L x 870W x 110H (external incl. Travel Lock) | \$567.00 | N/A |
| PS/PA-RV-FS-2.25 | Heavy Duty Fridge Slide - 950L x 560W x 80H (external incl. Travel Lock) | \$590.00 | \$640.00 |
| PS/PA-RV-FS-2.5 | Heavy Duty Fridge Slide - 1050L x 560W x 80H (external incl. Travel Lock) | \$685.00 | \$735.00 |
| PS/PA-RV-FS-3 | Heavy Duty Fridge Slide - 1410L x 455W x 80H (external incl. Travel Lock) | \$886.00 | \$961.00 |
| PS/PA-RV-FS-3.5 | Heavy Duty Fridge Slide - 1410L x 560W x 80H (external incl. Travel Lock) | \$886.00 | \$961.00 |
| Travel Slide Drawers available on page 181 Inbuilt Fridge Slides N/A for alloy drawers | | | |

| VEHICLE MAKE MODEL | LDV T60 MAX DUAL CAB MEGA TUB LUXE (SEP 2021 - MAR 2024) - 1700x1020 GENUINE TUB LINER | LDV | |
|---|--|------------|----------|
| PA: Premium Alloy PS: Premium Steel EL: EcoLite | ALLOY DRAWERS: N/A / TRADE HEIGHT DRAWERS +\$100 PER DRAWER | | |
| | PREMBLK: PREMIUM BLACK RRP +180.00 (option) | | |
| | DESCRIPTION (PRICES INCLUDE WING KIT UNLESS OTHERWISE STATED) | PS RRP | PA RRP |
| PS-180202-175127-SSL | Single Drawer & Wing Kit - Standard Height to Passenger Side 1700L x 510W x 275H | \$1,625.00 | N/A |
| PS-180202-175127-SSR | Single Drawer & Wing Kit - Standard Height to Driver Side 1700L x 510W x 275H | \$1,625.00 | N/A |
| PS-180202-175136-SHL | Single Drawer & Wing Kit - Trade Height to Passenger Side 1700L x 510W x 365H | \$1,725.00 | N/A |
| PS-180202-175136-SHR | Single Drawer & Wing Kit - Trade Height to Driver Side 1700L x 510W x 365H | \$1,725.00 | N/A |
| EL-180202-171227-TDS | EcoLite Twin Drawer & Wing Kit - Standard Height 1700L x 1020W x 275H | \$2,270.00 | N/A |
| PS-180202-171227-TDS | Twin Drawer & Wing Kit - Standard Height 1700L x 1020W x 275H | \$3,145.00 | N/A |
| PS-180202-171236-TDH | Twin Drawer & Wing Kit - Trade Height 1700L x 1020W x 365H | \$3,345.00 | N/A |
| PS-180202-171230-FDC-E/D | Fridge Drawer Combo with 30L Engel/Dometic Fitkit - 1700L x 1020W x 300H **Fridge not included Liftout Hatch provided to access space behind the fridge (100mm narrower if tie downs added to top) - 883L x 431W | \$2,855.00 | N/A |
| PS-180202-171236-FDC-EK | Fridge Drawer Combo with 40L EvaKool Fitkit - 1700L x 1020W x 365H **Fridge not included Liftout Hatch provided to access space behind the fridge (100mm narrower if tie downs added to top) - 883L x 560W | \$2,965.00 | N/A |
| PS-180202-171236-FDC-IM | Fridge Drawer Combo with 40L Ironman Fitkit - 1700L x 1020W x 365H **Fridge not included Liftout Hatch provided to access space behind the fridge (100mm narrower if tie downs added to top) - 883L x 510W | \$2,965.00 | N/A |
| PS-180202-171236-FDC-BM | Fridge Drawer Combo with 30L Bushman Fitkit - 1700L x 1020W x 365H **Fridge not included Liftout Hatch provided to access space behind the fridge (100mm narrower if tie downs added to top) - 883L x 431W | \$2,965.00 | N/A |
| PS-180202-171227-1SL | Easy Access Combo 1 & Wing Kit - Small Low Platform to Passenger Side (Gap size 510W). Single Drawer O/A 1700L x 510W x 275H. Total Combo O/A 1700L x 1020W x 275H. (Suits RV-FS-1 or 3 *Not Included) | \$2,630.00 | N/A |
| PS-180202-171227-1SR | Easy Access Combo 1 & Wing Kit - Small Low Platform to Driver Side (Gap size 510W). Single Drawer O/A 1700L x 510W x 275H. Total Combo O/A 1700L x 1020W x 275H. (Suits RV-FS-1 or 3 *Not Included) | \$2,630.00 | N/A |
| PS-180202-171227-1LL | Easy Access Combo 1 & Wing Kit - Large Low Platform to Passenger Side (Gap size 570W). Single Drawer O/A 1700L x 450W x 275H. Total Combo O/A 1700L x 1020W x 275H. (Suits all RV-FS listed below except SO *Not Included) | \$2,630.00 | N/A |
| PS-180202-171227-1LR | Easy Access Combo 1 & Wing Kit - Large Low Platform to Driver Side (Gap size 570W). Single Drawer O/A 1700L x 450W x 275H. Total Combo O/A 1700L x 1020W x 275H. (Suits all RV-FS listed below except SO *Not Included) | \$2,630.00 | N/A |
| PS-180202-171227-2SL | Easy Access Combo 2 & Wing Kit - Small Low Platform to Passenger Side (Gap size 510W). Double Stacked Drawers (Standard Height Bottom Drawer O/A 1700L x 510W x 275H, Trade Height Top Drawer O/A 1400L x 510W x 365H). Total Combo O/A 1700L x 1020W x 640H. (Suits RV-FS-1 or 3 *Not Included). Optional 1400L Standard Height top drawer minus -\$100.00 | \$3,375.00 | N/A |
| PS-180202-171227-2SR | Easy Access Combo 2 & Wing Kit - Small Low Platform to Driver Side (Gap size 510W). Double Stacked Drawers (Standard Height Bottom Drawer O/A 1700L x 510W x 275H, Trade Height Top Drawer O/A 1400L x 510W x 365H). Total Combo O/A 1700L x 1020W x 640H. (Suits RV-FS-1 or 3 *Not Included). Optional 1400L Standard Height top drawer minus -\$100.00 | \$3,375.00 | N/A |
| PS-180202-171227-2LL | Easy Access Combo 2 & Wing Kit - Large Low Platform to Passenger Side (Gap size 570W). Double Stacked Drawers (Standard Height Bottom Drawer O/A 1700L x 450W x 275H, Trade Height Top Drawer O/A 1400L x 450W x 365H). Total Combo O/A 1700L x 1020W x 640H. (Suits all RV-FS listed below except SO *Not Included). Optional 1400L Standard Height top drawer minus -\$100.00 | \$3,375.00 | N/A |
| PS-180202-171227-2LR | Easy Access Combo 2 & Wing Kit - Large Low Platform to Driver Side (Gap size 570W). Double Stacked Drawers (Standard Height Bottom Drawer O/A 1700L x 450W x 275H, Trade Height Top Drawer O/A 1400L x 450W x 365H). Total Combo O/A 1700L x 1020W x 640H. (Suits all RV-FS listed below except SO *Not Included). Optional 1400L Standard Height top drawer minus -\$100.00 | \$3,375.00 | N/A |
| RV-EAC-IFP-1700 | Easy Access Combo INFILL PANEL - covers fridge slide cavity to create a flat solid top effect (NOTE: top drawer must be removed on EAC-2 systems) | \$272.00 | N/A |
| RV-CS-1451-00 | Cargo Shelf single - 1400L Ventilated side panel and solid top shelf to fit FS-1 (small fridge space) Suits EAC-1 1400L x 1020W | \$803.00 | N/A |
| RV-CS-1457-00 | Cargo Shelf single - 1400L Ventilated side panel and solid top shelf to fit FS-1.5 & FS-2 (large fridge space) Suits EAC-1 1400L x 1020W | \$803.00 | N/A |
| RV-CS-0812-00 | Cargo Shelf double - 800L Ventilated side panel and solid top shelf system. Fits EAC-2 1400L x 1020W fitted with a Trade Height top drawer | \$567.00 | N/A |
| RV-IBFS-1300-DS | Inbuilt Fridge Slide - flush fitting 1300L (Driver Side) Premium drawers only | \$472.00 | N/A |
| RV-IBFS-1300-PS | Inbuilt Fridge Slide - flush fitting 1300L (Passenger Side) Premium drawers only | \$472.00 | N/A |
| PS/PA-RV-FS-1 | Heavy Duty Fridge Slide - 750L x 455W x 80H (external incl. Travel Lock) | \$472.00 | \$522.00 |
| PS-RV-FS-1-SO | Heavy Duty Fridge Slide - 450L x 770W x 110H (external incl. Travel Lock) | \$472.00 | N/A |
| PS/PA-RV-FS-1.5 | Heavy Duty Fridge Slide - 750L x 530W x 80H (external incl. Travel Lock) | \$520.00 | \$570.00 |
| PS/PA-RV-FS-2 | Heavy Duty Fridge Slide - 850L x 560W x 80H (external incl. Travel Lock) | \$567.00 | \$617.00 |
| PS-RV-FS-2-SO | Heavy Duty Fridge Slide - 550L x 870W x 110H (external incl. Travel Lock) | \$567.00 | N/A |
| PS/PA-RV-FS-2.25 | Heavy Duty Fridge Slide - 950L x 560W x 80H (external incl. Travel Lock) | \$590.00 | \$640.00 |
| PS/PA-RV-FS-2.5 | Heavy Duty Fridge Slide - 1050L x 560W x 80H (external incl. Travel Lock) | \$685.00 | \$735.00 |
| PS/PA-RV-FS-3 | Heavy Duty Fridge Slide - 1410L x 455W x 80H (external incl. Travel Lock) | \$886.00 | \$961.00 |
| PS/PA-RV-FS-3.5 | Heavy Duty Fridge Slide - 1410L x 560W x 80H (external incl. Travel Lock) | \$886.00 | \$961.00 |
| Travel Slide Drawers available on page 181 Inbuilt Fridge Slides N/A for alloy drawers | | | |

| VEHICLE MAKE MODEL | MAZDA BRAVO B2500/B2600 Dual Cab BX, DX, SDX (1999-2005) - 1500x1020 NO TUB LINER | MAZDA | |
|---|--|------------|------------|
| PA: Premium Alloy PS: Premium Steel EL: EcoLite | TRADE HEIGHT DRAWERS +\$100 PER DRAWER | | |
| | PREMLBK: PREMIUM BLACK RRP +180.00 (option) | | |
| | DESCRIPTION (PRICES INCLUDE WING KIT UNLESS OTHERWISE STATED) | PS RRP | PA RRP |
| PS/PA-060101-155127-SSL | Single Drawer & Wing Kit - Standard Height to Passenger Side 1500L x 510W x 275H | \$1,540.00 | \$1,690.00 |
| PS/PA-060101-155127-SSR | Single Drawer & Wing Kit - Standard Height to Driver Side 1500L x 510W x 275H | \$1,540.00 | \$1,690.00 |
| PS/PA-060101-155136-SHL | Single Drawer & Wing Kit - Trade Height to Passenger Side 1500L x 510W x 365H | \$1,640.00 | \$1,790.00 |
| PS/PA-060101-155136-SHR | Single Drawer & Wing Kit - Trade Height to Driver Side 1500L x 510W x 365H | \$1,640.00 | \$1,790.00 |
| EL-060101-151227-TDS | EcoLite Twin Drawer & Wing Kit - Standard Height 1500L x 1020W x 275H | \$2,150.00 | N/A |
| PS/PA-060101-151227-TDS | Twin Drawer & Wing Kit - Standard Height 1500L x 1020W x 275H | \$2,980.00 | \$3,280.00 |
| PS-060101-151236-TDH | Twin Drawer & Wing Kit - Trade Height 1500L x 1020W x 365H | \$3,180.00 | N/A |
| PS/PA-060101-151230-FDC-E/D | Fridge Drawer Combo with 30L Engel/Dometic Fitkit - 1500L x 1020W x 300H **Fridge not included Liftout Hatch provided to access space behind the fridge (100mm narrower if tie downs added to top) - 683L x 431W | \$2,770.00 | \$2,920.00 |
| PS/PA-060101-151236-FDC-EK | Fridge Drawer Combo with 40L EvaKool Fitkit - 1500L x 1020W x 365H **Fridge not included Liftout Hatch provided to access space behind the fridge (100mm narrower if tie downs added to top) - 683L x 560W | \$2,880.00 | \$3,030.00 |
| PS/PA-060101-151236-FDC-IM | Fridge Drawer Combo with 40L Ironman Fitkit - 1500L x 1020W x 365H **Fridge not included Liftout Hatch provided to access space behind the fridge (100mm narrower if tie downs added to top) - 683L x 510W | \$2,880.00 | \$3,030.00 |
| PS/PA-060101-151236-FDC-BM | Fridge Drawer Combo with 30L Bushman Fitkit - 1500L x 1020W x 365H **Fridge not included Liftout Hatch provided to access space behind the fridge (100mm narrower if tie downs added to top) - 683L x 431W | \$2,880.00 | \$3,030.00 |
| PS/PA-060101-151227-1SL | Easy Access Combo 1 & Wing Kit - Small Low Platform to Passenger Side (Gap size 510W). Single Drawer O/A 1500L x 510W x 275H. Total Combo O/A 1500L x 1020W x 275H. (Suits RV-FS-1 or 3 *Not Included) | \$2,465.00 | \$2,615.00 |
| PS/PA-060101-151227-1SR | Easy Access Combo 1 & Wing Kit - Small Low Platform to Driver Side (Gap size 510W). Single Drawer O/A 1500L x 510W x 275H. Total Combo O/A 1500L x 1020W x 275H. (Suits RV-FS-1 or 3 *Not Included) | \$2,465.00 | \$2,615.00 |
| PS/PA-060101-151227-1LL | Easy Access Combo 1 & Wing Kit - Large Low Platform to Passenger Side (Gap size 570W). Single Drawer O/A 1500L x 450W x 275H. Total Combo O/A 1500L x 1020W x 275H. (Suits all RV-FS listed below except SO *Not Included) | \$2,465.00 | \$2,615.00 |
| PS/PA-060101-151227-1LR | Easy Access Combo 1 & Wing Kit - Large Low Platform to Driver Side (Gap size 570W). Single Drawer O/A 1500L x 450W x 275H. Total Combo O/A 1500L x 1020W x 275H. (Suits all RV-FS listed below except SO *Not Included) | \$2,465.00 | \$2,615.00 |
| PS/PA-060101-151227-2SL | Easy Access Combo 2 & Wing Kit - Small Low Platform to Passenger Side (Gap size 510W). Double Stacked Drawers (Standard Height Bottom Drawer O/A 1500L x 510W x 275H, Trade Height Top Drawer O/A 1100L x 510W x 365H). Total Combo O/A 1500L x 1020W x 640H. (Suits RV-FS-1 or 3 *Not Included). Optional 1100L Standard Height top drawer minus -\$100.00 | \$3,210.00 | \$3,510.00 |
| PS/PA-060101-151227-2SR | Easy Access Combo 2 & Wing Kit - Small Low Platform to Driver Side (Gap size 510W). Double Stacked Drawers (Standard Height Bottom Drawer O/A 1500L x 510W x 275H, Trade Height Top Drawer O/A 1100L x 510W x 365H). Total Combo O/A 1500L x 1020W x 640H. (Suits RV-FS-1 or 3 *Not Included). Optional 1100L Standard Height top drawer minus -\$100.00 | \$3,210.00 | \$3,510.00 |
| PS/PA-060101-151227-2LL | Easy Access Combo 2 & Wing Kit - Large Low Platform to Passenger Side (Gap size 570W). Double Stacked Drawers (Standard Height Bottom Drawer O/A 1500L x 450W x 275H, Trade Height Top Drawer O/A 1100L x 450W x 365H). Total Combo O/A 1500L x 1020W x 640H. (Suits all RV-FS listed below except SO *Not Included). Optional 1100L Standard Height top drawer minus -\$100.00 | \$3,210.00 | \$3,510.00 |
| PS/PA-060101-151227-2LR | Easy Access Combo 2 & Wing Kit - Large Low Platform to Driver Side (Gap size 570W). Double Stacked Drawers (Standard Height Bottom Drawer O/A 1500L x 450W x 275H, Trade Height Top Drawer O/A 1100L x 450W x 365H). Total Combo O/A 1500L x 1020W x 640H. (Suits all RV-FS listed below except SO *Not Included). Optional 1100L Standard Height top drawer minus -\$100.00 | \$3,210.00 | \$3,510.00 |
| RV-IBFS-1300-DS | Inbuilt Fridge Slide - flush fitting 1300L (Driver Side) <i>Premium drawers only</i> | \$472.00 | N/A |
| RV-IBFS-1300-PS | Inbuilt Fridge Slide - flush fitting 1300L (Passenger Side) <i>Premium drawers only</i> | \$472.00 | N/A |
| RV-EAC-IFP-1500 | Easy Access Combo INFILL PANEL - covers fridge slide cavity to create a flat solid top effect (NOTE: top drawer must be removed on EAC-2 systems) | \$224.00 | N/A |
| RV-CS-1451-00 | Cargo Shelf single - 1400L Ventilated side panel and solid top shelf to fit FS-1 (small fridge space) Suits EAC-1 1400L x 1020W | \$803.00 | N/A |
| RV-CS-1457-00 | Cargo Shelf single - 1400L Ventilated side panel and solid top shelf to fit FS1.5 & FS-2 (large fridge space) Suits EAC-1 1400L x 1020W | \$803.00 | N/A |
| RV-CS-0812-00 | Cargo Shelf double - 800L Ventilated side panel and solid top shelf system. Fits EAC-2 1400L x 1020W fitted with a Trade Height top drawer | \$567.00 | N/A |
| PS/PA-RV-FS-1 | Heavy Duty Fridge Slide - 750L x 455W x 80H (external incl. Travel Lock) | \$472.00 | \$522.00 |
| PS-RV-FS-1-SO | Heavy Duty Fridge Slide - 450L x 770W x 110H (external incl. Travel Lock) | \$472.00 | N/A |
| PS/PA-RV-FS-1.5 | Heavy Duty Fridge Slide - 750L x 530W x 80H (external incl. Travel Lock) | \$520.00 | \$570.00 |
| PS/PA-RV-FS-2 | Heavy Duty Fridge Slide - 850L x 560W x 80H (external incl. Travel Lock) | \$567.00 | \$617.00 |
| PS-RV-FS-2-SO | Heavy Duty Fridge Slide - 550L x 870W x 110H (external incl. Travel Lock) | \$567.00 | N/A |
| PS/PA-RV-FS-2.25 | Heavy Duty Fridge Slide - 950L x 560W x 80H (external incl. Travel Lock) | \$590.00 | \$640.00 |
| PS/PA-RV-FS-2.5 | Heavy Duty Fridge Slide - 1050L x 560W x 80H (external incl. Travel Lock) | \$685.00 | \$735.00 |
| PS/PA-RV-FS-3 | Heavy Duty Fridge Slide - 1410L x 455W x 80H (external incl. Travel Lock) | \$886.00 | \$961.00 |
| PS/PA-RV-FS-3.5 | Heavy Duty Fridge Slide - 1410L x 560W x 80H (external incl. Travel Lock) | \$886.00 | \$961.00 |

Travel Slide Drawers available on page 181
Inbuilt Fridge Slides N/A for alloy drawers

| VEHICLE MAKE MODEL | MAZDA BRAVO FREESTYLE B2500/B2600 Extra Cab BX, DX, SDX (2002-2005) - 1700x1020 NO TUB LINER | | |
|---|--|------------|----------|
| PA: Premium Alloy PS: Premium Steel EL: EcoLite | ALLOY DRAWERS: N/A / TRADE HEIGHT DRAWERS +\$100 PER DRAWER | | |
| | PREMLBK: PREMIUM BLACK RRP +180.00 (option) | | |
| | DESCRIPTION (PRICES INCLUDE WING KIT UNLESS OTHERWISE STATED) | PS RRP | PA RRP |
| PS-060102-175127-SSL | Single Drawer + Wing Kit - Standard Height to Passenger Side 1700L x 510W x 275H | \$1,625.00 | N/A |
| PS-060102-175127-SSR | Single Drawer + Wing Kit - Standard Height to Driver Side 1700L x 510W x 275H | \$1,625.00 | N/A |
| PS-060102-175136-SHL | Single Drawer + Wing Kit - Trade Height to Passenger Side 1700L x 510W x 365H | \$1,725.00 | N/A |
| PS-060102-175136-SHR | Single Drawer + Wing Kit - Trade Height to Driver Side 1700L x 510W x 365H | \$1,725.00 | N/A |
| EL-060102-171227-TDS | EcoLite Twin Drawer & Wing Kit - Standard Height 1700L x 1020W x 275H | \$2,270.00 | N/A |
| PS-060102-171227-TDS | Twin Drawer + Wing Kit - Standard Height 1700L x 1020W x 275H | \$3,145.00 | N/A |
| PS-060102-71236-TDH | Twin Drawer + Wing Kit - Trade Height 1700L x 1020W x 365H | \$3,345.00 | N/A |
| PS-060102-171230-FDC-E/D | Fridge Drawer Combo with 30L Engel/Dometic Fitkit - 1700L x 1020W x 300H **Fridge not included Liftout Hatch provided to access space behind the fridge (100mm narrower if tie downs added to top) - 883L x 431W | \$2,855.00 | N/A |
| PS-060102-171236-FDC-EK | Fridge Drawer Combo with 40L EvaKool Fitkit - 1700L x 1020W x 365H **Fridge not included Liftout Hatch provided to access space behind the fridge (100mm narrower if tie downs added to top) - 883L x 560W | \$2,965.00 | N/A |
| PS-060102-171236-FDC-IM | Fridge Drawer Combo with 40L Ironman Fitkit - 1700L x 1020W x 365H **Fridge not included Liftout Hatch provided to access space behind the fridge (100mm narrower if tie downs added to top) - 883L x 510W | \$2,965.00 | N/A |
| PS-060102-171236-FDC-BM | Fridge Drawer Combo with 30L Bushman Fitkit - 1700L x 1020W x 365H **Fridge not included Liftout Hatch provided to access space behind the fridge (100mm narrower if tie downs added to top) - 883L x 431W | \$2,965.00 | N/A |
| PS-060102-171227-1SL | Easy Access Combo 1 & Wing Kit - Small Low Platform to Passenger Side (Gap size 510W). Single Drawer O/A 1700L x 510W x 275H. Total Combo O/A 1700L x 1020W x 275H. (Suits RV-FS-1 or 3 *Not Included) | \$2,630.00 | N/A |
| PS-060102-171227-1SR | Easy Access Combo 1 & Wing Kit - Small Low Platform to Driver Side (Gap size 510W). Single Drawer O/A 1700L x 510W x 275H. Total Combo O/A 1700L x 1020W x 275H. (Suits RV-FS-1 or 3 *Not Included) | \$2,630.00 | N/A |
| PS-060102-171227-1LL | Easy Access Combo 1 & Wing Kit - Large Low Platform to Passenger Side (Gap size 570W). Single Drawer O/A 1700L x 450W x 275H. Total Combo O/A 1700L x 1020W x 275H. (Suits all RV-FS listed below except SO *Not Included) | \$2,630.00 | N/A |
| PS-060102-171227-1LR | Easy Access Combo 1 & Wing Kit - Large Low Platform to Driver Side (Gap size 570W). Single Drawer O/A 1700L x 450W x 275H. Total Combo O/A 1700L x 1020W x 275H. (Suits all RV-FS listed below except SO *Not Included) | \$2,630.00 | N/A |
| PS-060102-171227-2SL | Easy Access Combo 2 & Wing Kit - Small Low Platform to Passenger Side (Gap size 510W). Double Stacked Drawers (Standard Height Bottom Drawer O/A 1700L x 510W x 275H, Trade Height Top Drawer O/A 1400L x 510W x 365H). Total Combo O/A 1700L x 1020W x 640H. (Suits RV-FS-1 or 3 *Not Included). Optional 1400L Standard Height top drawer minus -\$100.00 | \$3,375.00 | N/A |
| PS-060102-171227-2SR | Easy Access Combo 2 & Wing Kit - Small Low Platform to Driver Side (Gap size 510W). Double Stacked Drawers (Standard Height Bottom Drawer O/A 1700L x 510W x 275H, Trade Height Top Drawer O/A 1400L x 510W x 365H). Total Combo O/A 1700L x 1020W x 640H. (Suits RV-FS-1 or 3 *Not Included). Optional 1400L Standard Height top drawer minus -\$100.00 | \$3,375.00 | N/A |
| PS-060102-171227-2LL | Easy Access Combo 2 & Wing Kit - Large Low Platform to Passenger Side (Gap size 570W). Double Stacked Drawers (Standard Height Bottom Drawer O/A 1700L x 450W x 275H, Trade Height Top Drawer O/A 1400L x 450W x 365H). Total Combo O/A 1700L x 1020W x 640H. (Suits all RV-FS listed below except SO *Not Included). Optional 1400L Standard Height top drawer minus -\$100.00 | \$3,375.00 | N/A |
| PS-060102-171227-2LR | Easy Access Combo 2 & Wing Kit - Large Low Platform to Driver Side (Gap size 570W). Double Stacked Drawers (Standard Height Bottom Drawer O/A 1700L x 450W x 275H, Trade Height Top Drawer O/A 1400L x 450W x 365H). Total Combo O/A 1700L x 1020W x 640H. (Suits all RV-FS listed below except SO *Not Included). Optional 1400L Standard Height top drawer minus -\$100.00 | \$3,375.00 | N/A |
| RV-EAC-IFP-1700 | Easy Access Combo INFILL PANEL - covers fridge slide cavity to create a flat solid top effect (NOTE: top drawer must be removed on EAC-2 systems) | \$272.00 | N/A |
| RV-CS-1451-00 | Cargo Shelf single - 1400L Ventilated side panel and solid top shelf to fit FS-1 (small fridge space) Suits EAC-1 1400L x 1020W | \$803.00 | N/A |
| RV-CS-1457-00 | Cargo Shelf single - 1400L Ventilated side panel and solid top shelf to fit FS1.5 & FS-2 (large fridge space) Suits EAC-1 1400L x 1020W | \$803.00 | N/A |
| RV-CS-0812-00 | Cargo Shelf double - 800L Ventilated side panel and solid top shelf system. Fits EAC-2 1400L x 1020W fitted with a Trade Height top drawer | \$567.00 | N/A |
| RV-IBFS-1300-DS | Inbuilt Fridge Slide - flush fitting 1300L (Driver Side) <i>Premium drawers only</i> | \$472.00 | N/A |
| RV-IBFS-1300-PS | Inbuilt Fridge Slide - flush fitting 1300L (Passenger Side) <i>Premium drawers only</i> | \$472.00 | N/A |
| PS/PA-RV-FS-1 | Heavy Duty Fridge Slide - 750L x 455W x 80H (external incl. Travel Lock) | \$472.00 | \$522.00 |
| PS-RV-FS-1-SO | Heavy Duty Fridge Slide - 450L x 770W x 110H (external incl. Travel Lock) | \$472.00 | N/A |
| PS/PA-RV-FS-1.5 | Heavy Duty Fridge Slide - 750L x 530W x 80H (external incl. Travel Lock) | \$520.00 | \$570.00 |
| PS/PA-RV-FS-2 | Heavy Duty Fridge Slide - 850L x 560W x 80H (external incl. Travel Lock) | \$567.00 | \$617.00 |
| PS-RV-FS-2-SO | Heavy Duty Fridge Slide - 550L x 870W x 110H (external incl. Travel Lock) | \$567.00 | N/A |
| PS/PA-RV-FS-2.25 | Heavy Duty Fridge Slide - 950L x 560W x 80H (external incl. Travel Lock) | \$590.00 | \$640.00 |
| PS/PA-RV-FS-2.5 | Heavy Duty Fridge Slide - 1050L x 560W x 80H (external incl. Travel Lock) | \$685.00 | \$735.00 |
| PS/PA-RV-FS-3 | Heavy Duty Fridge Slide - 1410L x 455W x 80H (external incl. Travel Lock) | \$886.00 | \$961.00 |
| PS/PA-RV-FS-3.5 | Heavy Duty Fridge Slide - 1410L x 560W x 80H (external incl. Travel Lock) | \$886.00 | \$961.00 |

Travel Slide Drawers available on page 181

| VEHICLE MAKE MODEL | MAZDA BT-50 B3000 Dual Cab DX, SDX (2006-April 2008) - 1500x1020 NO TUB LINER | MAZDA | |
|---|--|------------|------------|
| PA: Premium Alloy PS: Premium Steel EL: EcoLite | TRADE HEIGHT DRAWERS +\$100 PER DRAWER | | |
| | PREMLBK: PREMIUM BLACK RRP +180.00 (option) | | |
| | DESCRIPTION (PRICES INCLUDE WING KIT UNLESS OTHERWISE STATED) | PS RRP | PA RRP |
| PS/PA-060201-155127-SSL | Single Drawer & Wing Kit - Standard Height to Passenger Side 1500L x 510W x 275H | \$1,540.00 | \$1,690.00 |
| PS/PA-060201-155127-SSR | Single Drawer & Wing Kit - Standard Height to Driver Side 1500L x 510W x 275H | \$1,540.00 | \$1,690.00 |
| PS/PA-060201-155136-SHL | Single Drawer & Wing Kit - Trade Height to Passenger Side 1500L x 510W x 365H | \$1,640.00 | \$1,790.00 |
| PS/PA-060201-155136-SHR | Single Drawer & Wing Kit - Trade Height to Driver Side 1500L x 510W x 365H | \$1,640.00 | \$1,790.00 |
| EL-060201-151227-TDS | EcoLite Twin Drawer & Wing Kit - Standard Height 1500L x 1020W x 275H | \$2,150.00 | N/A |
| PS/PA-060201-151227-TDS | Twin Drawer & Wing Kit - Standard Height 1500L x 1020W x 275H | \$2,980.00 | \$3,280.00 |
| PS-060201-151236-TDH | Twin Drawer & Wing Kit - Trade Height 1500L x 1020W x 365H | \$3,180.00 | N/A |
| PS/PA-060201-151230-FDC-E/D | Fridge Drawer Combo with 30L Engel/Dometic Fitkit - 1500L x 1020W x 300H **Fridge not included Liftout Hatch provided to access space behind the fridge (100mm narrower if tie downs added to top) - 683L x 431W | \$2,770.00 | \$2,920.00 |
| PS/PA-060201-151236-FDC-EK | Fridge Drawer Combo with 40L EvaKool Fitkit - 1500L x 1020W x 365H **Fridge not included Liftout Hatch provided to access space behind the fridge (100mm narrower if tie downs added to top) - 683L x 560W | \$2,880.00 | \$3,030.00 |
| PS/PA-060201-151236-FDC-IM | Fridge Drawer Combo with 40L Ironman Fitkit - 1500L x 1020W x 365H **Fridge not included Liftout Hatch provided to access space behind the fridge (100mm narrower if tie downs added to top) - 683L x 510W | \$2,880.00 | \$3,030.00 |
| PS/PA-060201-151236-FDC-BM | Fridge Drawer Combo with 30L Bushman Fitkit - 1500L x 1020W x 365H **Fridge not included Liftout Hatch provided to access space behind the fridge (100mm narrower if tie downs added to top) - 683L x 431W | \$2,880.00 | \$3,030.00 |
| PS/PA-060201-151227-1SL | Easy Access Combo 1 & Wing Kit - Small Low Platform to Passenger Side (Gap size 510W). Single Drawer O/A 1500L x 510W x 275H. Total Combo O/A 1500L x 1020W x 275H. (Suits RV-FS-1 or 3 *Not Included) | \$2,465.00 | \$2,615.00 |
| PS/PA-060201-151227-1SR | Easy Access Combo 1 & Wing Kit - Small Low Platform to Driver Side (Gap size 510W). Single Drawer O/A 1500L x 510W x 275H. Total Combo O/A 1500L x 1020W x 275H. (Suits RV-FS-1 or 3 *Not Included) | \$2,465.00 | \$2,615.00 |
| PS/PA-060201-151227-1LL | Easy Access Combo 1 & Wing Kit - Large Low Platform to Passenger Side (Gap size 570W). Single Drawer O/A 1500L x 450W x 275H. Total Combo O/A 1500L x 1020W x 275H. (Suits all RV-FS listed below except SO *Not Included) | \$2,465.00 | \$2,615.00 |
| PS/PA-060201-151227-1LR | Easy Access Combo 1 & Wing Kit - Large Low Platform to Driver Side (Gap size 570W). Single Drawer O/A 1500L x 450W x 275H. Total Combo O/A 1500L x 1020W x 275H. (Suits all RV-FS listed below except SO *Not Included) | \$2,465.00 | \$2,615.00 |
| PS/PA-060201-151227-2SL | Easy Access Combo 2 & Wing Kit - Small Low Platform to Passenger Side (Gap size 510W). Double Stacked Drawers (Standard Height Bottom Drawer O/A 1500L x 510W x 275H, Trade Height Top Drawer O/A 1100L x 510W x 365H). Total Combo O/A 1500L x 1020W x 640H. (Suits RV-FS-1 or 3 *Not Included). Optional 1100L Standard Height top drawer minus -\$100.00 | \$3,210.00 | \$3,510.00 |
| PS/PA-060201-151227-2SR | Easy Access Combo 2 & Wing Kit - Small Low Platform to Driver Side (Gap size 510W). Double Stacked Drawers (Standard Height Bottom Drawer O/A 1500L x 510W x 275H, Trade Height Top Drawer O/A 1100L x 510W x 365H). Total Combo O/A 1500L x 1020W x 640H. (Suits RV-FS-1 or 3 *Not Included). Optional 1100L Standard Height top drawer minus -\$100.00 | \$3,210.00 | \$3,510.00 |
| PS/PA-060201-151227-2LL | Easy Access Combo 2 & Wing Kit - Large Low Platform to Passenger Side (Gap size 570W). Double Stacked Drawers (Standard Height Bottom Drawer O/A 1500L x 450W x 275H, Trade Height Top Drawer O/A 1100L x 450W x 365H). Total Combo O/A 1500L x 1020W x 640H. (Suits all RV-FS listed below except SO *Not Included). Optional 1100L Standard Height top drawer minus -\$100.00 | \$3,210.00 | \$3,510.00 |
| PS/PA-060201-151227-2LR | Easy Access Combo 2 & Wing Kit - Large Low Platform to Driver Side (Gap size 570W). Double Stacked Drawers (Standard Height Bottom Drawer O/A 1500L x 450W x 275H, Trade Height Top Drawer O/A 1100L x 450W x 365H). Total Combo O/A 1500L x 1020W x 640H. (Suits all RV-FS listed below except SO *Not Included). Optional 1100L Standard Height top drawer minus -\$100.00 | \$3,210.00 | \$3,510.00 |
| RV-EAC-IFP-1500 | Easy Access Combo INFILL PANEL - covers fridge slide cavity to create a flat solid top effect (NOTE: top drawer must be removed on EAC-2 systems) | \$224.00 | N/A |
| RV-CS-1451-00 | Cargo Shelf single - 1400L Ventilated side panel and solid top shelf to fit FS-1 (small fridge space) Suits EAC-1 1400L x 1020W | \$803.00 | N/A |
| RV-CS-1457-00 | Cargo Shelf single - 1400L Ventilated side panel and solid top shelf to fit FS1.5 & FS-2 (large fridge space) Suits EAC-1 1400L x 1020W | \$803.00 | N/A |
| RV-CS-0812-00 | Cargo Shelf double - 800L Ventilated side panel and solid top shelf system. Fits EAC-2 1400L x 1020W fitted with a Trade Height top drawer | \$567.00 | N/A |
| RV-IBFS-1300-DS | Inbuilt Fridge Slide - flush fitting 1300L (Driver Side) <i>Premium drawers only</i> | \$472.00 | N/A |
| RV-IBFS-1300-PS | Inbuilt Fridge Slide - flush fitting 1300L (Passenger Side) <i>Premium drawers only</i> | \$472.00 | N/A |
| PS/PA-RV-FS-1 | Heavy Duty Fridge Slide - 750L x 455W x 80H (external incl. Travel Lock) | \$472.00 | \$522.00 |
| PS-RV-FS-1-SO | Heavy Duty Fridge Slide - 450L x 770W x 110H (external incl. Travel Lock) | \$472.00 | N/A |
| PS/PA-RV-FS-1.5 | Heavy Duty Fridge Slide - 750L x 530W x 80H (external incl. Travel Lock) | \$520.00 | \$570.00 |
| PS/PA-RV-FS-2 | Heavy Duty Fridge Slide - 850L x 560W x 80H (external incl. Travel Lock) | \$567.00 | \$617.00 |
| PS-RV-FS-2-SO | Heavy Duty Fridge Slide - 550L x 870W x 110H (external incl. Travel Lock) | \$567.00 | N/A |
| PS/PA-RV-FS-2.25 | Heavy Duty Fridge Slide - 950L x 560W x 80H (external incl. Travel Lock) | \$590.00 | \$640.00 |
| PS/PA-RV-FS-2.5 | Heavy Duty Fridge Slide - 1050L x 560W x 80H (external incl. Travel Lock) | \$685.00 | \$735.00 |
| PS/PA-RV-FS-3 | Heavy Duty Fridge Slide - 1410L x 455W x 80H (external incl. Travel Lock) | \$886.00 | \$961.00 |
| PS/PA-RV-FS-3.5 | Heavy Duty Fridge Slide - 1410L x 560W x 80H (external incl. Travel Lock) | \$886.00 | \$961.00 |
| Travel Slide Drawers available on page 181 Inbuilt Fridge Slides N/A for alloy drawers | | | |

| VEHICLE MAKE MODEL | MAZDA BT-50 B3000 FREESTYLE Extra Cab DX, SDX (2006-April 2008) - 1700x1020 NO TUB LINER | MAZDA | |
|---|--|------------|----------|
| PA: Premium Alloy PS: Premium Steel EL: EcoLite | ALLOY DRAWERS: N/A / TRADE HEIGHT DRAWERS +\$100 PER DRAWER | | |
| | PREMLBK: PREMIUM BLACK RRP +180.00 (option) | | |
| | DESCRIPTION (PRICES INCLUDE WING KIT UNLESS OTHERWISE STATED) | PS RRP | PA RRP |
| PS-060202-175127-SSL | Single Drawer & Wing Kit - Standard Height to Passenger Side 1700L x 510W x 275H | \$1,625.00 | N/A |
| PS-060202-175127-SSR | Single Drawer & Wing Kit - Standard Height to Driver Side 1700L x 510W x 275H | \$1,625.00 | N/A |
| PS-060202-175136-SHL | Single Drawer & Wing Kit - Trade Height to Passenger Side 1700L x 510W x 365H | \$1,725.00 | N/A |
| PS-060202-175136-SHR | Single Drawer & Wing Kit - Trade Height to Driver Side 1700L x 510W x 365H | \$1,725.00 | N/A |
| EL-060202-171227-TDS | EcoLite Twin Drawer & Wing Kit - Standard Height 1700L x 1020W x 275H | \$2,270.00 | N/A |
| PS-060202-171227-TDS | Twin Drawer & Wing Kit - Standard Height 1700L x 1020W x 275H | \$3,145.00 | N/A |
| PS-060202-171236-TDH | Twin Drawer & Wing Kit - Trade Height 1700L x 1020W x 365H | \$3,345.00 | N/A |
| PS-060202-171230-FDC-E/D | Fridge Drawer Combo with 30L Engel/Dometic Fitkit - 1700L x 1020W x 300H **Fridge not included Liftout Hatch provided to access space behind the fridge (100mm narrower if tie downs added to top) - 883L x 431W | \$2,855.00 | N/A |
| PS-060202-171236-FDC-EK | Fridge Drawer Combo with 40L EvaKool Fitkit - 1700L x 1020W x 365H **Fridge not included Liftout Hatch provided to access space behind the fridge (100mm narrower if tie downs added to top) - 883L x 560W | \$2,965.00 | N/A |
| PS-060202-171236-FDC-IM | Fridge Drawer Combo with 40L Ironman Fitkit - 1700L x 1020W x 365H **Fridge not included Liftout Hatch provided to access space behind the fridge (100mm narrower if tie downs added to top) - 883L x 510W | \$2,965.00 | N/A |
| PS-060202-171236-FDC-BM | Fridge Drawer Combo with 30L Bushman Fitkit - 1700L x 1020W x 365H **Fridge not included Liftout Hatch provided to access space behind the fridge (100mm narrower if tie downs added to top) - 883L x 431W | \$2,965.00 | N/A |
| PS-060202-171227-1SL | Easy Access Combo 1 & Wing Kit - Small Low Platform to Passenger Side (Gap size 510W). Single Drawer O/A 1700L x 510W x 275H. Total Combo O/A 1700L x 1020W x 275H. (Suits RV-FS-1 or 3 *Not Included) | \$2,630.00 | N/A |
| PS-060202-171227-1SR | Easy Access Combo 1 & Wing Kit - Small Low Platform to Driver Side (Gap size 510W). Single Drawer O/A 1700L x 510W x 275H. Total Combo O/A 1700L x 1020W x 275H. (Suits RV-FS-1 or 3 *Not Included) | \$2,630.00 | N/A |
| PS-060202-171227-1LL | Easy Access Combo 1 & Wing Kit - Large Low Platform to Passenger Side (Gap size 570W). Single Drawer O/A 1700L x 450W x 275H. Total Combo O/A 1700L x 1020W x 275H. (Suits all RV-FS listed below except SO *Not Included) | \$2,630.00 | N/A |
| PS-060202-171227-1LR | Easy Access Combo 1 & Wing Kit - Large Low Platform to Driver Side (Gap size 570W). Single Drawer O/A 1700L x 450W x 275H. Total Combo O/A 1700L x 1020W x 275H. (Suits all RV-FS listed below except SO *Not Included) | \$2,630.00 | N/A |
| PS-060202-171227-2SL | Easy Access Combo 2 & Wing Kit - Small Low Platform to Passenger Side (Gap size 510W). Double Stacked Drawers (Standard Height Bottom Drawer O/A 1700L x 510W x 275H, Trade Height Top Drawer O/A 1400L x 510W x 365H). Total Combo O/A 1700L x 1020W x 640H. (Suits RV-FS-1 or 3 *Not Included). Optional 1400L Standard Height top drawer minus -\$100.00 | \$3,375.00 | N/A |
| PS-060202-171227-2SR | Easy Access Combo 2 & Wing Kit - Small Low Platform to Driver Side (Gap size 510W). Double Stacked Drawers (Standard Height Bottom Drawer O/A 1700L x 510W x 275H, Trade Height Top Drawer O/A 1400L x 510W x 365H). Total Combo O/A 1700L x 1020W x 640H. (Suits RV-FS-1 or 3 *Not Included). Optional 1400L Standard Height top drawer minus -\$100.00 | \$3,375.00 | N/A |
| PS-060202-171227-2LL | Easy Access Combo 2 & Wing Kit - Large Low Platform to Passenger Side (Gap size 570W). Double Stacked Drawers (Standard Height Bottom Drawer O/A 1700L x 450W x 275H, Trade Height Top Drawer O/A 1400L x 450W x 365H). Total Combo O/A 1700L x 1020W x 640H. (Suits all RV-FS listed below except SO *Not Included). Optional 1400L Standard Height top drawer minus -\$100.00 | \$3,375.00 | N/A |
| PS-060202-171227-2LR | Easy Access Combo 2 & Wing Kit - Large Low Platform to Driver Side (Gap size 570W). Double Stacked Drawers (Standard Height Bottom Drawer O/A 1700L x 450W x 275H, Trade Height Top Drawer O/A 1400L x 450W x 365H). Total Combo O/A 1700L x 1020W x 640H. (Suits all RV-FS listed below except SO *Not Included). Optional 1400L Standard Height top drawer minus -\$100.00 | \$3,375.00 | N/A |
| RV-EAC-IFP-1700 | Easy Access Combo INFILL PANEL - covers fridge slide cavity to create a flat solid top effect (NOTE: top drawer must be removed on EAC-2 systems) | \$272.00 | N/A |
| RV-CS-1451-00 | Cargo Shelf single - 1400L Ventilated side panel and solid top shelf to fit FS-1 (small fridge space) Suits EAC-1 1400L x 1020W | \$803.00 | N/A |
| RV-CS-1457-00 | Cargo Shelf single - 1400L Ventilated side panel and solid top shelf to fit FS1.5 & FS-2 (large fridge space) Suits EAC-1 1400L x 1020W | \$803.00 | N/A |
| RV-CS-0812-00 | Cargo Shelf double - 800L Ventilated side panel and solid top shelf system. Fits EAC-2 1400L x 1020W fitted with a Trade Height top drawer | \$567.00 | N/A |
| RV-IBFS-1300-DS | Inbuilt Fridge Slide - flush fitting 1300L (Driver Side) <i>Premium drawers only</i> | \$472.00 | N/A |
| RV-IBFS-1300-PS | Inbuilt Fridge Slide - flush fitting 1300L (Passenger Side) <i>Premium drawers only</i> | \$472.00 | N/A |
| PS/PA-RV-FS-1 | Heavy Duty Fridge Slide - 750L x 455W x 80H (external incl. Travel Lock) | \$472.00 | \$522.00 |
| PS-RV-FS-1-SO | Heavy Duty Fridge Slide - 450L x 770W x 110H (external incl. Travel Lock) | \$472.00 | N/A |
| PS/PA-RV-FS-1.5 | Heavy Duty Fridge Slide - 750L x 530W x 80H (external incl. Travel Lock) | \$520.00 | \$570.00 |
| PS/PA-RV-FS-2 | Heavy Duty Fridge Slide - 850L x 560W x 80H (external incl. Travel Lock) | \$567.00 | \$617.00 |
| PS-RV-FS-2-SO | Heavy Duty Fridge Slide - 550L x 870W x 110H (external incl. Travel Lock) | \$567.00 | N/A |
| PS/PA-RV-FS-2.25 | Heavy Duty Fridge Slide - 950L x 560W x 80H (external incl. Travel Lock) | \$590.00 | \$640.00 |
| PS/PA-RV-FS-2.5 | Heavy Duty Fridge Slide - 1050L x 560W x 80H (external incl. Travel Lock) | \$685.00 | \$735.00 |
| PS/PA-RV-FS-3 | Heavy Duty Fridge Slide - 1410L x 455W x 80H (external incl. Travel Lock) | \$886.00 | \$961.00 |
| PS/PA-RV-FS-3.5 | Heavy Duty Fridge Slide - 1410L x 560W x 80H (external incl. Travel Lock) | \$886.00 | \$961.00 |

Travel Slide Drawers available on page 181

| VEHICLE MAKE MODEL | MAZDA BT-50 (B32P) Dual Cab XT, XTR (OCT 2011 - JULY 2020) 1450x1020 NO TUB LINER | MAZDA | |
|---|--|------------|------------|
| PA: Premium Alloy PS: Premium Steel EL: EcoLite | TRADE HEIGHT DRAWERS +\$100 PER DRAWER | | |
| | PREMLBK: PREMIUM BLACK RRP +180.00 (option) | | |
| | DESCRIPTION (PRICES INCLUDE WING KIT UNLESS OTHERWISE STATED) | PS RRP | PA RRP |
| PS/PA-060301-455127-SSL | Single Drawer & Wing Kit - Standard Height to Passenger Side 1450L x 510W x 275H | \$1,515.00 | \$1,665.00 |
| PS/PA-060301-455127-SSR | Single Drawer & Wing Kit - Standard Height to Driver Side 1450L x 510W x 275H | \$1,515.00 | \$1,665.00 |
| PS/PA-060301-455136-SHL | Single Drawer & Wing Kit - Trade Height to Passenger Side 1450L x 510W x 365H | \$1,615.00 | \$1,765.00 |
| PS/PA-060301-455136-SHR | Single Drawer & Wing Kit - Trade Height to Driver Side 1450L x 510W x 365H | \$1,615.00 | \$1,765.00 |
| EL-060301-451227-TDS | EcoLite Twin Drawer & Wing Kit - Standard Height 1450L x 1020W x 275H | \$2,110.00 | N/A |
| PS/PA-060301-451227-TDS | Twin Drawer & Wing Kit - Standard Height 1450L x 1020W x 275H | \$2,925.00 | \$3,225.00 |
| PS-060301-451236-TDH | Twin Drawer & Wing Kit - Trade Height 1450L x 1020W x 365H | \$3,125.00 | N/A |
| PS/PA-060301-451230-FDC-E/D | Fridge Drawer Combo with 30L Engel/Dometic Fitkit - 1450L x 1020W x 300H **Fridge not included Liftout Hatch provided to access space behind the fridge (100mm narrower if tie downs added to top) - 633L x 431W | \$2,690.00 | \$2,840.00 |
| PS/PA-060301-451236-FDC-EK | Fridge Drawer Combo with 40L EvaKool Fitkit - 1450L x 1020W x 365H **Fridge not included Liftout Hatch provided to access space behind the fridge (100mm narrower if tie downs added to top) - 633L x 560W | \$2,800.00 | \$2,950.00 |
| PS/PA-060301-451236-FDC-IM | Fridge Drawer Combo with 40L Ironman Fitkit - 1450L x 1020W x 365H **Fridge not included Liftout Hatch provided to access space behind the fridge (100mm narrower if tie downs added to top) - 633L x 510W | \$2,800.00 | \$2,950.00 |
| PS/PA-060301-451236-FDC-BM | Fridge Drawer Combo with 30L Bushman Fitkit - 1450L x 1020W x 365H **Fridge not included Liftout Hatch provided to access space behind the fridge (100mm narrower if tie downs added to top) - 633L x 431W | \$2,800.00 | \$2,950.00 |
| PS/PA-060301-451227-1SL | Easy Access Combo 1 & Wing Kit - Small Low Platform to Passenger Side (Gap size 510W). Single Drawer O/A 1450L x 510W x 275H. Total Combo O/A 1450L x 1020W x 275H. (Suits RV-FS-1 or 3 *Not Included) | \$2,435.00 | \$2,585.00 |
| PS/PA-060301-451227-1SR | Easy Access Combo 1 & Wing Kit - Small Low Platform to Driver Side (Gap size 510W). Single Drawer O/A 1450L x 510W x 275H. Total Combo O/A 1450L x 1020W x 275H. (Suits RV-FS-1 or 3 *Not Included) | \$2,435.00 | \$2,585.00 |
| PS/PA-060301-451227-1LL | Easy Access Combo 1 & Wing Kit - Large Low Platform to Passenger Side (Gap size 570W). Single Drawer O/A 1450L x 450W x 275H. Total Combo O/A 1450L x 1020W x 275H. (Suits all RV-FS listed below except SO *Not Included) | \$2,435.00 | \$2,585.00 |
| PS/PA-060301-451227-1LR | Easy Access Combo 1 & Wing Kit - Large Low Platform to Driver Side (Gap size 570W). Single Drawer O/A 1450L x 450W x 275H. Total Combo O/A 1450L x 1020W x 275H. (Suits all RV-FS listed below except SO *Not Included) | \$2,435.00 | \$2,585.00 |
| PS/PA-060301-451227-2SL | Easy Access Combo 2 & Wing Kit - Small Low Platform to Passenger Side (Gap size 510W). Double Stacked Drawers (Standard Height Bottom Drawer O/A 1450L x 510W x 275H, Trade Height Top Drawer O/A 1100L x 510W x 365H). Total Combo O/A 1450L x 1020W x 640H. (Suits RV-FS-1 or 3 *Not Included). Optional 1100L Standard Height top drawer minus -\$100.00 | \$3,155.00 | \$3,455.00 |
| PS/PA-060301-451227-2SR | Easy Access Combo 2 & Wing Kit - Small Low Platform to Driver Side (Gap size 510W). Double Stacked Drawers (Standard Height Bottom Drawer O/A 1450L x 510W x 275H, Trade Height Top Drawer O/A 1100L x 510W x 365H). Total Combo O/A 1450L x 1020W x 640H. (Suits RV-FS-1 or 3 *Not Included). Optional 1100L Standard Height top drawer minus -\$100.00 | \$3,155.00 | \$3,455.00 |
| PS/PA-060301-451227-2LL | Easy Access Combo 2 & Wing Kit - Large Low Platform to Passenger Side (Gap size 570W). Double Stacked Drawers (Standard Height Bottom Drawer O/A 1450L x 450W x 275H, Trade Height Top Drawer O/A 1100L x 450W x 365H). Total Combo O/A 1450L x 1020W x 640H. (Suits all RV-FS listed below except SO *Not Included). Optional 1100L Standard Height top drawer minus -\$100.00 | \$3,155.00 | \$3,455.00 |
| PS/PA-060301-451227-2LR | Easy Access Combo 2 & Wing Kit - Large Low Platform to Driver Side (Gap size 570W). Double Stacked Drawers (Standard Height Bottom Drawer O/A 1450L x 450W x 275H, Trade Height Top Drawer O/A 1100L x 450W x 365H). Total Combo O/A 1450L x 1020W x 640H. (Suits all RV-FS listed below except SO *Not Included). Optional 1100L Standard Height top drawer minus -\$100.00 | \$3,155.00 | \$3,455.00 |
| RV-EAC-IFP-1450 | Easy Access Combo INFILL PANEL - covers fridge slide cavity to create a flat solid top effect (NOTE: top drawer must be removed on EAC-2 systems) | \$224.00 | N/A |
| RV-CS-1451-00 | Cargo Shelf single - 1400L Ventilated side panel and solid top shelf to fit FS-1 (small fridge space) Suits EAC-1 1400L x 1020W | \$803.00 | N/A |
| RV-CS-1457-00 | Cargo Shelf single - 1400L Ventilated side panel and solid top shelf to fit FS1.5 & FS-2 (large fridge space) Suits EAC-1 1400L x 1020W | \$803.00 | N/A |
| RV-CS-0812-00 | Cargo Shelf double - 800L Ventilated side panel and solid top shelf system. Fits EAC-2 1400L x 1020W fitted with a Trade Height top drawer | \$567.00 | N/A |
| RV-IBFS-1300-DS | Inbuilt Fridge Slide - flush fitting 1300L (Driver Side) <i>Premium drawers only</i> | \$472.00 | N/A |
| RV-IBFS-1300-PS | Inbuilt Fridge Slide - flush fitting 1300L (Passenger Side) <i>Premium drawers only</i> | \$472.00 | N/A |
| PS/PA-RV-FS-1 | Heavy Duty Fridge Slide - 750L x 455W x 80H (external incl. Travel Lock) | \$472.00 | \$522.00 |
| PS-RV-FS-1-SO | Heavy Duty Fridge Slide - 450L x 770W x 110H (external incl. Travel Lock) | \$472.00 | N/A |
| PS/PA-RV-FS-1.5 | Heavy Duty Fridge Slide - 750L x 530W x 80H (external incl. Travel Lock) | \$520.00 | \$570.00 |
| PS/PA-RV-FS-2 | Heavy Duty Fridge Slide - 850L x 560W x 80H (external incl. Travel Lock) | \$567.00 | \$617.00 |
| PS-RV-FS-2-SO | Heavy Duty Fridge Slide - 550L x 870W x 110H (external incl. Travel Lock) | \$567.00 | N/A |
| PS/PA-RV-FS-2.25 | Heavy Duty Fridge Slide - 950L x 560W x 80H (external incl. Travel Lock) | \$590.00 | \$640.00 |
| PS/PA-RV-FS-2.5 | Heavy Duty Fridge Slide - 1050L x 560W x 80H (external incl. Travel Lock) | \$685.00 | \$735.00 |
| PS/PA-RV-FS-3 | Heavy Duty Fridge Slide - 1410L x 455W x 80H (external incl. Travel Lock) | \$886.00 | \$961.00 |
| PS/PA-RV-FS-3.5 | Heavy Duty Fridge Slide - 1410L x 560W x 80H (external incl. Travel Lock) | \$886.00 | \$961.00 |
| Travel Slide Drawers available on page 181 Inbuilt Fridge Slides N/A for alloy drawers | | | |

| VEHICLE MAKE MODEL | MAZDA BT-50 (B32P) Dual Cab XT, XTR (OCT 2011 - JULY 2020) - 1300x1020 WITH MAZDA GENUINE TUB LINER | | | MAZDA |
|---|--|------------|------------|-------|
| PA: Premium Alloy PS: Premium Steel EL: EcoLite | TRADE HEIGHT DRAWERS +\$100 PER DRAWER | | | |
| | PREMLBK: PREMIUM BLACK RRP +180.00 (option) | | | |
| | DESCRIPTION (PRICES INCLUDE WING KIT UNLESS OTHERWISE STATED) | PS RRP | PA RRP | |
| PS/PA-060302-135127-SSL | Single Drawer & Wing Kit - Standard Height to Passenger Side 1300L x 510W x 275H | \$1,460.00 | \$1,610.00 | |
| PS/PA-060302-135127-SSR | Single Drawer & Wing Kit - Standard Height to Driver Side 1300L x 510W x 275H | \$1,460.00 | \$1,610.00 | |
| PS/PA-060302-135136-SHL | Single Drawer & Wing Kit - Trade Height to Passenger Side 1300L x 510W x 365H | \$1,560.00 | \$1,710.00 | |
| PS/PA-060302-135136-SHR | Single Drawer & Wing Kit - Trade Height to Driver Side 1300L x 510W x 365H | \$1,560.00 | \$1,710.00 | |
| EL-060302-131227-TDS | EcoLite Twin Drawer & Wing Kit - Standard Height 1300L x 1020W x 275H | \$2,020.00 | N/A | |
| PS/PA-060302-131227-TDS | Twin Drawer & Wing Kit - Standard Height 1300L x 1020W x 275H | \$2,815.00 | \$3,115.00 | |
| PS/PA-060302-131236-TDH | Twin Drawer & Wing Kit - Trade Height 1300L x 1020W x 365H | \$3,015.00 | \$3,315.00 | |
| PS/PA-060302-131230-FDC-E/D | Fridge Drawer Combo with 30L Engel/Dometic Fitkit - 1300L x 1020W x 300H **Fridge not included Liftout Hatch provided to access space behind the fridge (100mm narrower if tie downs added to top) - 483L x 431W | \$2,635.00 | \$2,785.00 | |
| PS/PA-060302-131236-FDC-EK | Fridge Drawer Combo with 40L EvaKool Fitkit - 1300L x 1020W x 365H **Fridge not included Liftout Hatch provided to access space behind the fridge (100mm narrower if tie downs added to top) - 483L x 560W | \$2,745.00 | \$2,895.00 | |
| PS/PA-060302-131236-FDC-IM | Fridge Drawer Combo with 40L Ironman Fitkit - 1300L x 1020W x 365H **Fridge not included Liftout Hatch provided to access space behind the fridge (100mm narrower if tie downs added to top) - 483L x 510W | \$2,745.00 | \$2,895.00 | |
| PS/PA-060302-131236-FDC-BM | Fridge Drawer Combo with 30L Bushman Fitkit - 1300L x 1020W x 365H **Fridge not included Liftout Hatch provided to access space behind the fridge (100mm narrower if tie downs added to top) - 483L x 431W | \$2,745.00 | \$2,895.00 | |
| PS/PA-060302-131227-1SL | Easy Access Combo 1 & Wing Kit - Small Low Platform to Passenger Side (Gap size 510W). Single Drawer O/A 1300L x 510W x 275H. Total Combo O/A 1300L x 1020W x 275H. (Suits RV-FS-1 *Not Included) | \$2,355.00 | \$2,505.00 | |
| PS/PA-060302-131227-1SR | Easy Access Combo 1 & Wing Kit - Small Low Platform to Driver Side (Gap size 510W). Single Drawer O/A 1300L x 510W x 275H. Total Combo O/A 1300L x 1020W x 275H. (Suits RV-FS-1 *Not Included) | \$2,355.00 | \$2,505.00 | |
| PS/PA-060302-131227-1LL | Easy Access Combo 1 & Wing Kit - Large Low Platform to Passenger Side (Gap size 570W). Single Drawer O/A 1300L x 450W x 275H. Total Combo O/A 1300L x 1020W x 275H. (Suits all RV-FS listed below except SO *Not Included) | \$2,355.00 | \$2,505.00 | |
| PS/PA-060302-131227-1LR | Easy Access Combo 1 & Wing Kit - Large Low Platform to Driver Side (Gap size 570W). Single Drawer O/A 1300L x 450W x 275H. Total Combo O/A 1300L x 1020W x 275H. (Suits all RV-FS listed below except SO *Not Included) | \$2,355.00 | \$2,505.00 | |
| PS/PA-060302-131227-2SL | Easy Access Combo 2 & Wing Kit - Small Low Platform to Passenger Side (Gap size 510W). Double Stacked Drawers (Standard Height Bottom Drawer O/A 1300L x 510W x 275H, Trade Height Top Drawer O/A 1000L x 510W x 365H). Total Combo O/A 1300L x 1020W x 640H. (Suits RV-FS-1 *Not Included). Optional 1000L Standard Height top drawer minus -\$100.00 | \$3,045.00 | \$3,345.00 | |
| PS/PA-060302-131227-2SR | Easy Access Combo 2 & Wing Kit - Small Low Platform to Driver Side (Gap size 510W). Double Stacked Drawers (Standard Height Bottom Drawer O/A 1300L x 510W x 275H, Trade Height Top Drawer O/A 1000L x 510W x 365H). Total Combo O/A 1300L x 1020W x 640H. (Suits RV-FS-1 *Not Included). Optional 1000L Standard Height top drawer minus -\$100.00 | \$3,045.00 | \$3,345.00 | |
| PS/PA-060302-131227-2LL | Easy Access Combo 2 & Wing Kit - Large Low Platform to Passenger Side (Gap size 570W). Double Stacked Drawers (Standard Height Bottom Drawer O/A 1300L x 450W x 275H, Trade Height Top Drawer O/A 1000L x 450W x 365H). Total Combo O/A 1300L x 1020W x 640H. (Suits all RV-FS listed below except SO *Not Included). Optional 1000L Standard Height top drawer minus -\$100.00 | \$3,045.00 | \$3,345.00 | |
| PS/PA-060302-131227-2LR | Easy Access Combo 2 & Wing Kit - Large Low Platform to Driver Side (Gap size 570W). Double Stacked Drawers (Standard Height Bottom Drawer O/A 1300L x 450W x 275H, Trade Height Top Drawer O/A 1000L x 450W x 365H). Total Combo O/A 1300L x 1020W x 640H. (Suits all RV-FS listed below except SO *Not Included). Optional 1000L Standard Height top drawer minus -\$100.00 | \$3,045.00 | \$3,345.00 | |
| RV-EAC-IFP-1300 | Easy Access Combo INFILL PANEL - covers fridge side cavity to create a flat solid top effect (NOTE: top drawer must be removed on EAC-2 systems) | \$224.00 | N/A | |
| RV-CS-0851-00 | Cargo Shelf single - 800L Ventilated side panel and solid top shelf to fit FS-1 (small fridge space) Suits EAC-1 1300L x 1020W | \$520.00 | N/A | |
| RV-CS-0857-00 | Cargo Shelf single - 800L Ventilated side panel and solid top shelf to fit FS1.5 & FS-2 (large fridge space) Suits EAC-1 1300L x 1020W | \$520.00 | N/A | |
| RV-CS-0812-00 | Cargo Shelf double - 800L Ventilated side panel and solid top shelf system. Fits EAC-2 1300L x 1020W fitted with a Trade Height top drawer | \$567.00 | N/A | |
| RV-IBFS-1300-DS | Inbuilt Fridge Slide - flush fitting 1300L (Driver Side) <i>Premium drawers only</i> | \$472.00 | N/A | |
| RV-IBFS-1300-PS | Inbuilt Fridge Slide - flush fitting 1300L (Passenger Side) <i>Premium drawers only</i> | \$472.00 | N/A | |
| PS/PA-RV-FS-1 | Heavy Duty Fridge Slide - 750L x 455W x 80H (external incl. Travel Lock) | \$472.00 | \$522.00 | |
| PS-RV-FS-1-SO | Heavy Duty Fridge Slide - 450L x 770W x 110H (external incl. Travel Lock) | \$472.00 | N/A | |
| PS/PA-RV-FS-1.5 | Heavy Duty Fridge Slide - 750L x 530W x 80H (external incl. Travel Lock) | \$520.00 | \$570.00 | |
| PS/PA-RV-FS-2 | Heavy Duty Fridge Slide - 850L x 560W x 80H (external incl. Travel Lock) | \$567.00 | \$617.00 | |
| PS-RV-FS-2-SO | Heavy Duty Fridge Slide - 550L x 870W x 110H (external incl. Travel Lock) | \$567.00 | N/A | |
| PS/PA-RV-FS-2.25 | Heavy Duty Fridge Slide - 950L x 560W x 80H (external incl. Travel Lock) | \$590.00 | \$640.00 | |
| PS/PA-RV-FS-2.5 | Heavy Duty Fridge Slide - 1050L x 560W x 80H (external incl. Travel Lock) | \$685.00 | \$735.00 | |

Travel Slide Drawers available on page 181
Inbuilt Fridge Slides N/A for alloy drawers

| VEHICLE MAKE MODEL | | MAZDA | | |
|---|--|---|------------|----------|
| MAZDA BT-50 (B32P) FREESTYLE Extra Cab XT, XTR (2011 - JULY 2020) - 1700x1020 NO TUB LINER | | | | |
| PA: Premium Alloy PS: Premium Steel EL: EcoLite | | ALLOY DRAWERS: N/A / TRADE HEIGHT DRAWERS +\$100 PER DRAWER | | |
| | | PREMLBK: PREMIUM BLACK RRP +180.00 (option) | | |
| | | DESCRIPTION (PRICES INCLUDE WING KIT UNLESS OTHERWISE STATED) | | |
| | | | PS RRP | PA RRP |
| PS-060303-175127-SSL | Single Drawer & Wing Kit - Standard Height to Passenger Side 1700L x 510W x 275H | | \$1,625.00 | N/A |
| PS-060303-175127-SSR | Single Drawer & Wing Kit - Standard Height to Driver Side 1700L x 510W x 275H | | \$1,625.00 | N/A |
| PS-060303-175136-SHL | Single Drawer & Wing Kit - Trade Height to Passenger Side 1700L x 510W x 365H | | \$1,725.00 | N/A |
| PS-060303-175136-SHR | Single Drawer & Wing Kit - Trade Height to Driver Side 1700L x 510W x 365H | | \$1,725.00 | N/A |
| EL-060303-171227-TDS | EcoLite Twin Drawer & Wing Kit - Standard Height 1700L x 1020W x 275H | | \$2,270.00 | N/A |
| PS-060303-171227-TDS | Twin Drawer & Wing Kit - Standard Height 1700L x 1020W x 275H | | \$3,145.00 | N/A |
| PS-060303-171236-TDH | Twin Drawer & Wing Kit - Trade Height 1700L x 1020W x 365H | | \$3,345.00 | N/A |
| PS-060303-171230-FDC-E/D | Fridge Drawer Combo with 30L Engel/Dometic Fitkit - 1700L x 1020W x 300H **Fridge not included Liftout Hatch provided to access space behind the fridge (100mm narrower if tie downs added to top) - 883L x 431W | | \$2,855.00 | N/A |
| PS-060303-171236-FDC-EK | Fridge Drawer Combo with 40L Evakool Fitkit - 1700L x 1020W x 365H **Fridge not included Liftout Hatch provided to access space behind the fridge (100mm narrower if tie downs added to top) - 883L x 560W | | \$2,965.00 | N/A |
| PS-060303-171236-FDC-IM | Fridge Drawer Combo with 40L Ironman Fitkit - 1700L x 1020W x 365H **Fridge not included Liftout Hatch provided to access space behind the fridge (100mm narrower if tie downs added to top) - 883L x 510W | | \$2,965.00 | N/A |
| PS-060303-171236-FDC-BM | Fridge Drawer Combo with 30L Bushman Fitkit - 1700L x 1020W x 365H **Fridge not included Liftout Hatch provided to access space behind the fridge (100mm narrower if tie downs added to top) - 883L x 431W | | \$2,965.00 | N/A |
| PS-060303-171227-1SL | Easy Access Combo 1 & Wing Kit - Small Low Platform to Passenger Side (Gap size 510W). Single Drawer O/A 1700L x 510W x 275H. Total Combo O/A 1700L x 1020W x 275H. (Suits RV-FS-1 or 3 *Not Included) | | \$2,630.00 | N/A |
| PS-060303-171227-1SR | Easy Access Combo 1 & Wing Kit - Small Low Platform to Driver Side (Gap size 510W). Single Drawer O/A 1700L x 510W x 275H. Total Combo O/A 1700L x 1020W x 275H. (Suits RV-FS-1 or 3 *Not Included) | | \$2,630.00 | N/A |
| PS-060303-171227-1LL | Easy Access Combo 1 & Wing Kit - Large Low Platform to Passenger Side (Gap size 570W). Single Drawer O/A 1700L x 450W x 275H. Total Combo O/A 1700L x 1020W x 275H. (Suits all RV-FS listed below except SO *Not Included) | | \$2,630.00 | N/A |
| PS-060303-171227-1LR | Easy Access Combo 1 & Wing Kit - Large Low Platform to Driver Side (Gap size 570W). Single Drawer O/A 1700L x 450W x 275H. Total Combo O/A 1700L x 1020W x 275H. (Suits all RV-FS listed below except SO *Not Included) | | \$2,630.00 | N/A |
| PS-060303-171227-2SL | Easy Access Combo 2 & Wing Kit - Small Low Platform to Passenger Side (Gap size 510W). Double Stacked Drawers (Standard Height Bottom Drawer O/A 1700L x 510W x 275H, Trade Height Top Drawer O/A 1400L x 510W x 365H). Total Combo O/A 1700L x 1020W x 640H. (Suits RV-FS-1 or 3 *Not Included). Optional 1400L Standard Height top drawer minus -\$100.00 | | \$3,375.00 | N/A |
| PS-060303-171227-2SR | Easy Access Combo 2 & Wing Kit - Small Low Platform to Driver Side (Gap size 510W). Double Stacked Drawers (Standard Height Bottom Drawer O/A 1700L x 510W x 275H, Trade Height Top Drawer O/A 1400L x 510W x 365H). Total Combo O/A 1700L x 1020W x 640H. (Suits RV-FS-1 or 3 *Not Included). Optional 1400L Standard Height top drawer minus -\$100.00 | | \$3,375.00 | N/A |
| PS-060303-171227-2LL | Easy Access Combo 2 & Wing Kit - Large Low Platform to Passenger Side (Gap size 570W). Double Stacked Drawers (Standard Height Bottom Drawer O/A 1700L x 450W x 275H, Trade Height Top Drawer O/A 1400L x 450W x 365H). Total Combo O/A 1700L x 1020W x 640H. (Suits all RV-FS listed below except SO *Not Included). Optional 1400L Standard Height top drawer minus -\$100.00 | | \$3,375.00 | N/A |
| PS-060303-171227-2LR | Easy Access Combo 2 & Wing Kit - Large Low Platform to Driver Side (Gap size 570W). Double Stacked Drawers (Standard Height Bottom Drawer O/A 1700L x 450W x 275H, Trade Height Top Drawer O/A 1400L x 450W x 365H). Total Combo O/A 1700L x 1020W x 640H. (Suits all RV-FS listed below except SO *Not Included). Optional 1400L Standard Height top drawer minus -\$100.00 | | \$3,375.00 | N/A |
| RV-EAC-IFP-1700 | Easy Access Combo INFILL PANEL - covers fridge slide cavity to create a flat solid top effect (NOTE: top drawer must be removed on EAC-2 systems) | | \$272.00 | N/A |
| RV-CS-1451-00 | Cargo Shelf single - 1400L Ventilated side panel and solid top shelf to fit FS-1 (small fridge space) Suits EAC-1 1400L x 1020W | | \$803.00 | N/A |
| RV-CS-1457-00 | Cargo Shelf single - 1400L Ventilated side panel and solid top shelf to fit FS1.5 & FS-2 (large fridge space) Suits EAC-1 1400L x 1020W | | \$803.00 | N/A |
| RV-CS-0812-00 | Cargo Shelf double - 800L Ventilated side panel and solid top shelf system. Fits EAC-2 1400L x 1020W fitted with a Trade Height top drawer | | \$567.00 | N/A |
| RV-IBFS-1300-DS | Inbuilt Fridge Slide - flush fitting 1300L (Driver Side) <i>Premium drawers only</i> | | \$472.00 | N/A |
| RV-IBFS-1300-PS | Inbuilt Fridge Slide - flush fitting 1300L (Passenger Side) <i>Premium drawers only</i> | | \$472.00 | N/A |
| PS/PA-RV-FS-1 | Heavy Duty Fridge Slide - 750L x 455W x 80H (external incl. Travel Lock) | | \$472.00 | \$522.00 |
| PS-RV-FS-1-SO | Heavy Duty Fridge Slide - 450L x 770W x 110H (external incl. Travel Lock) | | \$472.00 | N/A |
| PS/PA-RV-FS-1.5 | Heavy Duty Fridge Slide - 750L x 530W x 80H (external incl. Travel Lock) | | \$520.00 | \$570.00 |
| PS/PA-RV-FS-2 | Heavy Duty Fridge Slide - 850L x 560W x 80H (external incl. Travel Lock) | | \$567.00 | \$617.00 |
| PS-RV-FS-2-SO | Heavy Duty Fridge Slide - 550L x 870W x 110H (external incl. Travel Lock) | | \$567.00 | N/A |
| PS/PA-RV-FS-2.25 | Heavy Duty Fridge Slide - 950L x 560W x 80H (external incl. Travel Lock) | | \$590.00 | \$640.00 |
| PS/PA-RV-FS-2.5 | Heavy Duty Fridge Slide - 1050L x 560W x 80H (external incl. Travel Lock) | | \$685.00 | \$735.00 |
| PS/PA-RV-FS-3 | Heavy Duty Fridge Slide - 1410L x 455W x 80H (external incl. Travel Lock) | | \$886.00 | \$961.00 |
| PS/PA-RV-FS-3.5 | Heavy Duty Fridge Slide - 1410L x 560W x 80H (external incl. Travel Lock) | | \$886.00 | \$961.00 |

Travel Slide Drawers available on page 181

| VEHICLE MAKE MODEL | MAZDA BT-50 (TF) Dual Cab XT, XTR, GT (JULY 2020+) - 1400x1020 NO TUB LINER | MAZDA | |
|---|--|------------|------------|
| PA: Premium Alloy PS: Premium Steel EL: EcoLite | TRADE HEIGHT DRAWERS +\$100 PER DRAWER | | |
| | PREMLBK: PREMIUM BLACK RRP +180.00 (option) | | |
| | DESCRIPTION (PRICES INCLUDE WING KIT UNLESS OTHERWISE STATED) | PS RRP | PA RRP |
| PS/PA-060401-145127-SSL | Single Drawer & Wing Kit - Standard Height to Passenger Side 1400L x 510W x 275H | \$1,485.00 | \$1,635.00 |
| PS/PA-060401-145127-SSR | Single Drawer & Wing Kit - Standard Height to Driver Side 1400L x 510W x 275H | \$1,485.00 | \$1,635.00 |
| PS/PA-060401-145136-SHL | Single Drawer & Wing Kit - Trade Height to Passenger Side 1400L x 510W x 365H | \$1,585.00 | \$1,735.00 |
| PS/PA-060401-145136-SHR | Single Drawer & Wing Kit - Trade Height to Driver Side 1400L x 510W x 365H | \$1,585.00 | \$1,735.00 |
| EL-060401-141227-TDS | EcoLite Twin Drawer & Wing Kit - Standard Height 1400L x 1020W x 275H | \$2,080.00 | N/A |
| PS/PA-060401-141227-TDS | Twin Drawer & Wing Kit - Standard Height 1400L x 1020W x 275H | \$2,870.00 | \$3,170.00 |
| PS/PA-060401-141236-TDH | Twin Drawer & Wing Kit - Trade Height 1400L x 1020W x 365H | \$3,070.00 | \$3,370.00 |
| PS/PA-060401-141230-FDC-E/D | Fridge Drawer Combo with 30L Engel/Dometic Fitkit - 1400L x 1020W x 300H **Fridge not included Liftout Hatch provided to access space behind the fridge (100mm narrower if tie downs added to top) - 583L x 431W | \$2,690.00 | \$2,840.00 |
| PS/PA-060401-141236-FDC-EK | Fridge Drawer Combo with 40L EvaKool Fitkit - 1400L x 1020W x 365H **Fridge not included Liftout Hatch provided to access space behind the fridge (100mm narrower if tie downs added to top) - 583L x 560W | \$2,800.00 | \$2,950.00 |
| PS/PA-060401-141236-FDC-IM | Fridge Drawer Combo with 40L Ironman Fitkit - 1400L x 1020W x 365H **Fridge not included Liftout Hatch provided to access space behind the fridge (100mm narrower if tie downs added to top) - 583L x 510W | \$2,800.00 | \$2,950.00 |
| PS/PA-060401-141236-FDC-BM | Fridge Drawer Combo with 30L Bushman Fitkit - 1400L x 1020W x 365H **Fridge not included Liftout Hatch provided to access space behind the fridge (100mm narrower if tie downs added to top) - 583L x 431W | \$2,800.00 | \$2,950.00 |
| PS/PA-060401-141227-1SL | Easy Access Combo 1 & Wing Kit - Small Low Platform to Passenger Side (Gap size 510W). Single Drawer O/A 1400L x 510W x 275H. Total Combo O/A 1400L x 1020W x 275H. (Suits RV-FS-1 or 3 *Not Included) | \$2,410.00 | \$2,560.00 |
| PS/PA-060401-141227-1SR | Easy Access Combo 1 & Wing Kit - Small Low Platform to Driver Side (Gap size 510W). Single Drawer O/A 1400L x 510W x 275H. Total Combo O/A 1400L x 1020W x 275H. (Suits RV-FS-1 or 3 *Not Included) | \$2,410.00 | \$2,560.00 |
| PS/PA-060401-141227-1LL | Easy Access Combo 1 & Wing Kit - Large Low Platform to Passenger Side (Gap size 570W). Single Drawer O/A 1400L x 450W x 275H. Total Combo O/A 1400L x 1020W x 275H. (Suits all RV-FS listed below except SO *Not Included) | \$2,410.00 | \$2,560.00 |
| PS/PA-060401-141227-1LR | Easy Access Combo 1 & Wing Kit - Large Low Platform to Driver Side (Gap size 570W). Single Drawer O/A 1400L x 450W x 275H. Total Combo O/A 1400L x 1020W x 275H. (Suits all RV-FS listed below except SO *Not Included) | \$2,410.00 | \$2,560.00 |
| PS/PA-060401-141227-2SL | Easy Access Combo 2 & Wing Kit - Small Low Platform to Passenger Side (Gap size 510W). Double Stacked Drawers (Standard Height Bottom Drawer O/A 1400L x 510W x 275H, Trade Height Top Drawer O/A 1100L x 510W x 365H). Total Combo O/A 1400L x 1020W x 640H. (Suits RV-FS-1 or 3 *Not Included). Optional 1100L Standard Height top drawer minus -\$100.00 | \$3,100.00 | \$3,400.00 |
| PS/PA-060401-141227-2SR | Easy Access Combo 2 & Wing Kit - Small Low Platform to Driver Side (Gap size 510W). Double Stacked Drawers (Standard Height Bottom Drawer O/A 1400L x 510W x 275H, Trade Height Top Drawer O/A 1100L x 510W x 365H). Total Combo O/A 1400L x 1020W x 640H. (Suits RV-FS-1 or 3 *Not Included). Optional 1100L Standard Height top drawer minus -\$100.00 | \$3,100.00 | \$3,400.00 |
| PS/PA-060401-141227-2LL | Easy Access Combo 2 & Wing Kit - Large Low Platform to Passenger Side (Gap size 570W). Double Stacked Drawers (Standard Height Bottom Drawer O/A 1400L x 450W x 275H, Trade Height Top Drawer O/A 1100L x 450W x 365H). Total Combo O/A 1400L x 1020W x 640H. (Suits all RV-FS listed below except SO *Not Included). Optional 1100L Standard Height top drawer minus -\$100.00 | \$3,100.00 | \$3,400.00 |
| PS/PA-060401-141227-2LR | Easy Access Combo 2 & Wing Kit - Large Low Platform to Driver Side (Gap size 570W). Double Stacked Drawers (Standard Height Bottom Drawer O/A 1400L x 450W x 275H, Trade Height Top Drawer O/A 1100L x 450W x 365H). Total Combo O/A 1400L x 1020W x 640H. (Suits all RV-FS listed below except SO *Not Included). Optional 1100L Standard Height top drawer minus -\$100.00 | \$3,100.00 | \$3,400.00 |
| RV-EAC-IFP-1400 | Easy Access Combo INFILL PANEL - covers fridge slide cavity to create a flat solid top effect (NOTE: top drawer must be removed on EAC-2 systems) | \$224.00 | N/A |
| RV-CS-1451-00 | Cargo Shelf single - 1400L Ventilated side panel and solid top shelf to fit FS-1 (small fridge space) Suits EAC-1 1400L x 1020W | \$803.00 | N/A |
| RV-CS-1457-00 | Cargo Shelf single - 1400L Ventilated side panel and solid top shelf to fit FS1.5 & FS-2 (large fridge space) Suits EAC-1 1400L x 1020W | \$803.00 | N/A |
| RV-CS-0812-00 | Cargo Shelf double - 800L Ventilated side panel and solid top shelf system. Fits EAC-2 1400L x 1020W fitted with a Trade Height top drawer | \$567.00 | N/A |
| RV-IBFS-1300-DS | Inbuilt Fridge Slide - flush fitting 1300L (Driver Side) <i>Premium drawers only</i> | \$472.00 | N/A |
| RV-IBFS-1300-PS | Inbuilt Fridge Slide - flush fitting 1300L (Passenger Side) <i>Premium drawers only</i> | \$472.00 | N/A |
| PS/PA-RV-FS-1 | Heavy Duty Fridge Slide - 750L x 455W x 80H (external incl. Travel Lock) | \$472.00 | \$522.00 |
| PS-RV-FS-1-SO | Heavy Duty Fridge Slide - 450L x 770W x 110H (external incl. Travel Lock) | \$472.00 | N/A |
| PS/PA-RV-FS-1.5 | Heavy Duty Fridge Slide - 750L x 530W x 80H (external incl. Travel Lock) | \$520.00 | \$570.00 |
| PS/PA-RV-FS-2 | Heavy Duty Fridge Slide - 850L x 560W x 80H (external incl. Travel Lock) | \$567.00 | \$617.00 |
| PS-RV-FS-2-SO | Heavy Duty Fridge Slide - 550L x 870W x 110H (external incl. Travel Lock) | \$567.00 | N/A |
| PS/PA-RV-FS-2.25 | Heavy Duty Fridge Slide - 950L x 560W x 80H (external incl. Travel Lock) | \$590.00 | \$640.00 |
| PS/PA-RV-FS-2.5 | Heavy Duty Fridge Slide - 1050L x 560W x 80H (external incl. Travel Lock) | \$685.00 | \$735.00 |
| PS/PA-RV-FS-3 | Heavy Duty Fridge Slide - 1410L x 455W x 80H (external incl. Travel Lock) | \$886.00 | \$961.00 |
| PS/PA-RV-FS-3.5 | Heavy Duty Fridge Slide - 1410L x 560W x 80H (external incl. Travel Lock) | \$886.00 | \$961.00 |
| Travel Slide Drawers available on page 181 Inbuilt Fridge Slides N/A for alloy drawers | | | |

| VEHICLE MAKE MODEL | | MAZDA BT-50 (TF) Dual Cab XT, XTR, GT (JULY 2020+) - 1400x1020 GENUINE TUB LINER | | | MAZDA | | |
|---|--|---|---------------|--|-------|--|--|
| PA: Premium Alloy PS: Premium Steel EL: EcoLite | TRADE HEIGHT DRAWERS +\$100 PER DRAWER | | | | | | |
| | PREMLBK: PREMIUM BLACK RRP +180.00 (option) | | | | | | |
| | DESCRIPTION (PRICES INCLUDE WING KIT UNLESS OTHERWISE STATED) | PS RRP | PA RRP | | | | |
| PS/PA-060402-145127-SSL | Single Drawer & Wing Kit - Standard Height to Passenger Side 1400L x 510W x 275H | \$1,485.00 | \$1,635.00 | | | | |
| PS/PA-060402-145127-SSR | Single Drawer & Wing Kit - Standard Height to Driver Side 1400L x 510W x 275H | \$1,485.00 | \$1,635.00 | | | | |
| PS/PA-060402-145136-SHL | Single Drawer & Wing Kit - Trade Height to Passenger Side 1400L x 510W x 365H | \$1,585.00 | \$1,735.00 | | | | |
| PS/PA-060402-145136-SHR | Single Drawer & Wing Kit - Trade Height to Driver Side 1400L x 510W x 365H | \$1,585.00 | \$1,735.00 | | | | |
| EL-060402-141227-TDS | EcoLite Twin Drawer & Wing Kit - Standard Height 1400L x 1020W x 275H | \$2,080.00 | N/A | | | | |
| PS/PA-060402-141227-TDS | Twin Drawer & Wing Kit - Standard Height 1400L x 1020W x 275H | \$2,870.00 | \$3,170.00 | | | | |
| PS/PA-060402-141236-TDH | Twin Drawer & Wing Kit - Trade Height 1400L x 1020W x 365H | \$3,070.00 | \$3,370.00 | | | | |
| PS/PA-060402-141230-FDC-E/D | Fridge Drawer Combo with 30L Engel/Dometic Fitkit - 1400L x 1020W x 300H **Fridge not included Liftout Hatch provided to access space behind the fridge (100mm narrower if tie downs added to top) - 583L x 431W | \$2,690.00 | \$2,840.00 | | | | |
| PS/PA-060402-141236-FDC-EK | Fridge Drawer Combo with 40L EvaKool Fitkit - 1400L x 1020W x 365H **Fridge not included Liftout Hatch provided to access space behind the fridge (100mm narrower if tie downs added to top) - 583L x 560W | \$2,800.00 | \$2,950.00 | | | | |
| PS/PA-060402-141236-FDC-IM | Fridge Drawer Combo with 40L Ironman Fitkit - 1400L x 1020W x 365H **Fridge not included Liftout Hatch provided to access space behind the fridge (100mm narrower if tie downs added to top) - 583L x 510W | \$2,800.00 | \$2,950.00 | | | | |
| PS/PA-060402-141236-FDC-BM | Fridge Drawer Combo with 30L Bushman Fitkit - 1400L x 1020W x 365H **Fridge not included Liftout Hatch provided to access space behind the fridge (100mm narrower if tie downs added to top) - 583L x 431W | \$2,800.00 | \$2,950.00 | | | | |
| PS/PA-060402-141227-1SL | Easy Access Combo 1 & Wing Kit - Small Low Platform to Passenger Side (Gap size 510W). Single Drawer O/A 1400L x 510W x 275H. Total Combo O/A 1400L x 1020W x 275H. (Suits RV-FS-1 or 3 *Not Included) | \$2,410.00 | \$2,560.00 | | | | |
| PS/PA-060402-141227-1SR | Easy Access Combo 1 & Wing Kit - Small Low Platform to Driver Side (Gap size 510W). Single Drawer O/A 1400L x 510W x 275H. Total Combo O/A 1400L x 1020W x 275H. (Suits RV-FS-1 or 3 *Not Included) | \$2,410.00 | \$2,560.00 | | | | |
| PS/PA-060402-141227-1LL | Easy Access Combo 1 & Wing Kit - Large Low Platform to Passenger Side (Gap size 570W). Single Drawer O/A 1400L x 450W x 275H. Total Combo O/A 1400L x 1020W x 275H. (Suits all RV-FS listed below except SO *Not Included) | \$2,410.00 | \$2,560.00 | | | | |
| PS/PA-060402-141227-1LR | Easy Access Combo 1 & Wing Kit - Large Low Platform to Driver Side (Gap size 570W). Single Drawer O/A 1400L x 450W x 275H. Total Combo O/A 1400L x 1020W x 275H. (Suits all RV-FS listed below except SO *Not Included) | \$2,410.00 | \$2,560.00 | | | | |
| PS/PA-060402-141227-2SL | Easy Access Combo 2 & Wing Kit - Small Low Platform to Passenger Side (Gap size 510W). Double Stacked Drawers (Standard Height Bottom Drawer O/A 1400L x 510W x 275H, Trade Height Top Drawer O/A 1100L x 510W x 365H). Total Combo O/A 1400L x 1020W x 640H. (Suits RV-FS-1 or 3 *Not Included). Optional 1100L Standard Height top drawer minus -\$100.00 | \$3,100.00 | \$3,400.00 | | | | |
| PS/PA-060402-141227-2SR | Easy Access Combo 2 & Wing Kit - Small Low Platform to Driver Side (Gap size 510W). Double Stacked Drawers (Standard Height Bottom Drawer O/A 1400L x 510W x 275H, Trade Height Top Drawer O/A 1100L x 510W x 365H). Total Combo O/A 1400L x 1020W x 640H. (Suits RV-FS-1 or 3 *Not Included). Optional 1100L Standard Height top drawer minus -\$100.00 | \$3,100.00 | \$3,400.00 | | | | |
| PS/PA-060402-141227-2LL | Easy Access Combo 2 & Wing Kit - Large Low Platform to Passenger Side (Gap size 570W). Double Stacked Drawers (Standard Height Bottom Drawer O/A 1400L x 450W x 275H, Trade Height Top Drawer O/A 1100L x 450W x 365H). Total Combo O/A 1400L x 1020W x 640H. (Suits all RV-FS listed below except SO *Not Included). Optional 1100L Standard Height top drawer minus -\$100.00 | \$3,100.00 | \$3,400.00 | | | | |
| PS/PA-060402-141227-2LR | Easy Access Combo 2 & Wing Kit - Large Low Platform to Driver Side (Gap size 570W). Double Stacked Drawers (Standard Height Bottom Drawer O/A 1400L x 450W x 275H, Trade Height Top Drawer O/A 1100L x 450W x 365H). Total Combo O/A 1400L x 1020W x 640H. (Suits all RV-FS listed below except SO *Not Included). Optional 1100L Standard Height top drawer minus -\$100.00 | \$3,100.00 | \$3,400.00 | | | | |
| RV-EAC-IFP-1400 | Easy Access Combo INFILL PANEL - covers fridge slide cavity to create a flat solid top effect (NOTE: top drawer must be removed on EAC-2 systems) | \$224.00 | N/A | | | | |
| RV-CS-1451-00 | Cargo Shelf single - 1400L Ventilated side panel and solid top shelf to fit FS-1 (small fridge space) Suits EAC-1 1400L x 1020W | \$803.00 | N/A | | | | |
| RV-CS-1457-00 | Cargo Shelf single - 1400L Ventilated side panel and solid top shelf to fit FS1.5 & FS-2 (large fridge space) Suits EAC-1 1400L x 1020W | \$803.00 | N/A | | | | |
| RV-CS-0812-00 | Cargo Shelf double - 800L Ventilated side panel and solid top shelf system. Fits EAC-2 1400L x 1020W fitted with a Trade Height top drawer | \$567.00 | N/A | | | | |
| RV-IBFS-1300-DS | Inbuilt Fridge Slide - flush fitting 1300L (Driver Side) <i>Premium drawers only</i> | \$472.00 | N/A | | | | |
| RV-IBFS-1300-PS | Inbuilt Fridge Slide - flush fitting 1300L (Passenger Side) <i>Premium drawers only</i> | \$472.00 | N/A | | | | |
| PS/PA-RV-FS-1 | Heavy Duty Fridge Slide - 750L x 455W x 80H (external incl. Travel Lock) | \$472.00 | \$522.00 | | | | |
| PS-RV-FS-1-SO | Heavy Duty Fridge Slide - 450L x 770W x 110H (external incl. Travel Lock) | \$472.00 | N/A | | | | |
| PS/PA-RV-FS-1.5 | Heavy Duty Fridge Slide - 750L x 530W x 80H (external incl. Travel Lock) | \$520.00 | \$570.00 | | | | |
| PS/PA-RV-FS-2 | Heavy Duty Fridge Slide - 850L x 560W x 80H (external incl. Travel Lock) | \$567.00 | \$617.00 | | | | |
| PS-RV-FS-2-SO | Heavy Duty Fridge Slide - 550L x 870W x 110H (external incl. Travel Lock) | \$567.00 | N/A | | | | |
| PS/PA-RV-FS-2.25 | Heavy Duty Fridge Slide - 950L x 560W x 80H (external incl. Travel Lock) | \$590.00 | \$640.00 | | | | |
| PS/PA-RV-FS-2.5 | Heavy Duty Fridge Slide - 1050L x 560W x 80H (external incl. Travel Lock) | \$685.00 | \$735.00 | | | | |
| PS/PA-RV-FS-3 | Heavy Duty Fridge Slide - 1410L x 455W x 80H (external incl. Travel Lock) | \$886.00 | \$961.00 | | | | |
| PS/PA-RV-FS-3.5 | Heavy Duty Fridge Slide - 1410L x 560W x 80H (external incl. Travel Lock) | \$886.00 | \$961.00 | | | | |
| Travel Slide Drawers available on page 181 | | | | | | | |
| Inbuilt Fridge Slides N/A for alloy drawers | | | | | | | |

| VEHICLE MAKE MODEL | MAZDA BT-50 (TF) Dual Cab XT, XTR, GT (JULY 2020+) - 1400x1020 THUNDER GT - GENUINE LINER, NO ROLLOUT | MAZDA | |
|---|--|------------|------------|
| PA: Premium Alloy PS: Premium Steel EL: EcoLite | TRADE HEIGHT DRAWERS +\$100 PER DRAWER | | |
| | PREMLBK: PREMIUM BLACK RRP +180.00 (option) | | |
| | DESCRIPTION (PRICES INCLUDE WING KIT UNLESS OTHERWISE STATED) | PS RRP | PA RRP |
| PS/PA-060403A-145127-SSL | Single Drawer & Wing Kit - Standard Height to Passenger Side 1400L x 510W x 275H | \$1,485.00 | \$1,635.00 |
| PS/PA-060403A-145127-SSR | Single Drawer & Wing Kit - Standard Height to Driver Side 1400L x 510W x 275H | \$1,485.00 | \$1,635.00 |
| PS/PA-060403A-145136-SHL | Single Drawer & Wing Kit - Trade Height to Passenger Side 1400L x 510W x 365H | \$1,585.00 | \$1,735.00 |
| PS/PA-060403A-145136-SHR | Single Drawer & Wing Kit - Trade Height to Driver Side 1400L x 510W x 365H | \$1,585.00 | \$1,735.00 |
| EL-060403A-141227-TDS | EcoLite Twin Drawer & Wing Kit - Standard Height 1400L x 1020W x 275H | \$2,080.00 | N/A |
| PS/PA-060403A-141227-TDS | Twin Drawer & Wing Kit - Standard Height 1400L x 1020W x 275H | \$2,870.00 | \$3,170.00 |
| PS/PA-060403A-141236-TDH | Twin Drawer & Wing Kit - Trade Height 1400L x 1020W x 365H | \$3,070.00 | \$3,370.00 |
| PS/PA-060403A-141230-FDC-E/D | Fridge Drawer Combo with 30L Engel/Dometic Fitkit - 1400L x 1020W x 300H **Fridge not included Liftout Hatch provided to access space behind the fridge (100mm narrower if tie downs added to top) - 583L x 431W | \$2,690.00 | \$2,840.00 |
| PS/PA-060403A-141236-FDC-EK | Fridge Drawer Combo with 40L EvaKool Fitkit - 1400L x 1020W x 365H **Fridge not included Liftout Hatch provided to access space behind the fridge (100mm narrower if tie downs added to top) - 583L x 560W | \$2,800.00 | \$2,950.00 |
| PS/PA-060403A-141236-FDC-IM | Fridge Drawer Combo with 40L Ironman Fitkit - 1400L x 1020W x 365H **Fridge not included Liftout Hatch provided to access space behind the fridge (100mm narrower if tie downs added to top) - 583L x 510W | \$2,800.00 | \$2,950.00 |
| PS/PA-060403A-141236-FDC-BM | Fridge Drawer Combo with 30L Bushman Fitkit - 1400L x 1020W x 365H **Fridge not included Liftout Hatch provided to access space behind the fridge (100mm narrower if tie downs added to top) - 583L x 431W | \$2,800.00 | \$2,950.00 |
| PS/PA-060403A-141227-1SL | Easy Access Combo 1 Standard Height & Wing Kit - Small Low Platform to Passenger Side (Gap size 510W). Single Drawer Standard Height O/A 1400L x 510W x 275H. Total Combo O/A 1400L x 1020W x 275H. (Suits RV-FS-1 or 3 *Not Included) | \$2,410.00 | \$2,560.00 |
| PS/PA-060403A-141227-1SR | Easy Access Combo 1 Standard Height & Wing Kit - Small Low Platform to driver Side (Gap size 510W). Single Drawer Standard Height O/A 1400L x 510W x 275H. Total Combo O/A 1400L x 1020W x 275H. (Suits RV-FS-1 or 3 *Not Included) | \$2,410.00 | \$2,560.00 |
| PS/PA-060403A-141227-1LL | Easy Access Combo 1 Standard Height & Wing Kit - Large Low Platform to Passenger Side (Gap size 570W). Single Drawer Standard Height O/A 1400L x 450W x 275H. Total Combo O/A 1400L x 1020W x 275H. (Suits all RV-FS listed below except SO *Not Included) | \$2,410.00 | \$2,560.00 |
| PS/PA-060403A-141227-1LR | Easy Access Combo 1 Standard Height & Wing Kit - Large Low Platform to Driver Side (Gap size 570W). Single Drawer Standard Height O/A 1400L x 450W x 275H. Total Combo O/A 1400L x 1020W x 275H. (Suits all RV-FS listed below except SO *Not Included) | \$2,410.00 | \$2,560.00 |
| PS/PA-060403A-141227-2SL | Easy Access Combo 2 & Wing Kit - Small Low Platform to Passenger Side (Gap size 510W). Double Stacked Drawers (Standard Height Bottom Drawer O/A 1400L x 510W x 275H, Trade Height Top Drawer O/A 1100L x 510W x 365H). Total Combo O/A 1400L x 1020W x 640H. (Suits RV-FS-1 or 3 *Not Included). Optional 1100L Standard Height top drawer minus -\$100.00 | \$3,100.00 | \$3,400.00 |
| PS/PA-060403A-141227-2SR | Easy Access Combo 2 & Wing Kit - Small Low Platform to Driver Side (Gap size 510W). Double Stacked Drawers (Standard Height Bottom Drawer O/A 1400L x 510W x 275H, Trade Height Top Drawer O/A 1100L x 510W x 365H). Total Combo O/A 1400L x 1020W x 640H. (Suits RV-FS-1 or 3 *Not Included). Optional 1100L Standard Height top drawer minus -\$100.00 | \$3,100.00 | \$3,400.00 |
| PS/PA-060403A-141227-2LL | Easy Access Combo 2 & Wing Kit - Large Low Platform to Passenger Side (Gap size 570W). Double Stacked Drawers (Standard Height Bottom Drawer O/A 1400L x 450W x 275H, Trade Height Top Drawer O/A 1100L x 450W x 365H). Total Combo O/A 1400L x 1020W x 640H. (Suits all RV-FS listed below except SO *Not Included). Optional 1100L Standard Height top drawer minus -\$100.00 | \$3,100.00 | \$3,400.00 |
| PS/PA-060403A-141227-2LR | Easy Access Combo 2 & Wing Kit - Large Low Platform to Driver Side (Gap size 570W). Double Stacked Drawers (Standard Height Bottom Drawer O/A 1400L x 450W x 275H, Trade Height Top Drawer O/A 1100L x 450W x 365H). Total Combo O/A 1400L x 1020W x 640H. (Suits all RV-FS listed below except SO *Not Included). Optional 1100L Standard Height top drawer minus -\$100.00 | \$3,100.00 | \$3,400.00 |
| RV-EAC-IFP-1400 | Easy Access Combo INFILL PANEL FOR STANDARD AND TRADE HEIGHT- covers fridge slide cavity for a flat solid top effect | \$224.00 | N/A |
| RV-CS-1451-00 | Cargo Shelf single - 1400L Ventilated side panel and solid top shelf to fit FS-1 (small fridge space) Suits EAC-1 1400L x 1020W | \$803.00 | N/A |
| RV-CS-1457-00 | Cargo Shelf single - 1400L Ventilated side panel and solid top shelf to fit FS1.5 & FS-2 (large fridge space) Suits EAC-1 1400L x 1020W | \$803.00 | N/A |
| RV-CS-0812-00 | Cargo Shelf double - 800L Ventilated side panel and solid top shelf system. Fits EAC-2 1400L x 1020W fitted with a Trade Height top drawer | \$567.00 | N/A |
| RV-IBFS-1000-DS | Inbuilt Fridge Slide - flush fitting 1000L (Driver Side) <i>Premium drawers only</i> | \$448.00 | N/A |
| RV-IBFS-1000-PS | Inbuilt Fridge Slide - flush fitting 1000L (Passenger Side) <i>Premium drawers only</i> | \$448.00 | N/A |
| RV-IBFS-1300-DS | Inbuilt Fridge Slide - flush fitting 1300L (Driver Side) <i>Premium drawers only</i> | \$472.00 | N/A |
| RV-IBFS-1300-PS | Inbuilt Fridge Slide - flush fitting 1300L (Passenger Side) <i>Premium drawers only</i> | \$472.00 | N/A |
| PS/PA-RV-FS-1 | Heavy Duty Fridge Slide - 750L x 455W x 80H (external incl. Travel Lock) | \$472.00 | \$522.00 |
| PS-RV-FS-1-SO | Heavy Duty Fridge Slide - 450L x 770W x 110H (external incl. Travel Lock) | \$472.00 | N/A |
| PS/PA-RV-FS-1.5 | Heavy Duty Fridge Slide - 750L x 530W x 80H (external incl. Travel Lock) | \$520.00 | \$570.00 |
| PS/PA-RV-FS-2 | Heavy Duty Fridge Slide - 850L x 560W x 80H (external incl. Travel Lock) | \$567.00 | \$617.00 |
| PS-RV-FS-2-SO | Heavy Duty Fridge Slide - 550L x 870W x 110H (external incl. Travel Lock) | \$567.00 | N/A |
| PS/PA-RV-FS-2.25 | Heavy Duty Fridge Slide - 950L x 560W x 80H (external incl. Travel Lock) | \$590.00 | \$640.00 |
| PS/PA-RV-FS-2.5 | Heavy Duty Fridge Slide - 1050L x 560W x 80H (external incl. Travel Lock) | \$685.00 | \$735.00 |
| PS/PA-RV-FS-3 | Heavy Duty Fridge Slide - 1410L x 455W x 80H (external incl. Travel Lock) | \$886.00 | \$961.00 |
| PS/PA-RV-FS-3.5 | Heavy Duty Fridge Slide - 1410L x 560W x 80H (external incl. Travel Lock) | \$886.00 | \$961.00 |

Travel Slide Drawers available on page 181
Inbuilt Fridge Slides N/A for alloy drawers

| VEHICLE MAKE MODEL | | MAZDA BT-50 (TF) Dual Cab XT, XTR, GT (JULY 2020+) - 1400x1020 / 1100x1020 THUNDER GT - GENUINE LINER WITH ROLLTOP | | | MAZDA | |
|---|---|---|------------|--|-------|--|
| PA: Premium Alloy PS: Premium Steel EL: EcoLite | TRADE HEIGHT DRAWERS +\$100 PER DRAWER | | | | | |
| | PREMLBK: PREMIUM BLACK RRP +180.00 (option) | | | | | |
| | DESCRIPTION (PRICES INCLUDE WING KIT UNLESS OTHERWISE STATED) | PS RRP | PA RRP | | | |
| PS/PA-060403B-145127-SSL | Single Drawer & Wing Kit - Standard Height to Passenger Side 1400L x 510W x 275H | \$1,485.00 | \$1,635.00 | | | |
| PS/PA-060403B-145127-SSR | Single Drawer & Wing Kit - Standard Height to Driver Side 1400L x 510W x 275H | \$1,485.00 | \$1,635.00 | | | |
| PS/PA-060403B-115136-SHL | Single Drawer & Wing Kit - Trade Height to Passenger Side 1100L x 510W x 365H | \$1,515.00 | \$1,665.00 | | | |
| PS/PA-060403B-115136-SHR | Single Drawer & Wing Kit - Trade Height to Driver Side 1100L x 510W x 365H | \$1,515.00 | \$1,665.00 | | | |
| EL-060403B-141227-TDS | EcoLite Twin Drawer & Wing Kit - Standard Height 1400L x 1020W x 275H | \$2,080.00 | N/A | | | |
| PS/PA-060403B-141227-TDS | Twin Drawer & Wing Kit - Standard Height 1400L x 1020W x 275H | \$2,870.00 | \$3,170.00 | | | |
| PS/PA-060403B-111236-TDH | Twin Drawer & Wing Kit - Trade Height 1100L x 1020W x 365H | \$2,925.00 | \$3,225.00 | | | |
| PS/PA-060403B-141230-FDC-E/D | Fridge Drawer Combo with 30L Engel/Dometic Fitkit - 1400L x 1020W x 300H **Fridge not included Liftout Hatch provided to access space behind the fridge (100mm narrower if tie downs added to top) - 583L x 431W | \$2,690.00 | \$2,840.00 | | | |
| PS/PA-060403B-111236-FDC-EK | Fridge Drawer Combo with 40L EvaKool Fitkit - 1100L x 1020W x 365H **Fridge not included Liftout Hatch provided to access space behind the fridge (100mm narrower if tie downs added to top) - 283L x 560W | \$2,745.00 | \$2,895.00 | | | |
| PS/PA-060403B-111236-FDC-IM | Fridge Drawer Combo with 40L Ironman Fitkit - 1100L x 1020W x 365H **Fridge not included Liftout Hatch provided to access space behind the fridge (100mm narrower if tie downs added to top) - 283L x 510W | \$2,745.00 | \$2,895.00 | | | |
| PS/PA-060403B-111236-FDC-BM | Fridge Drawer Combo with 30L Bushman Fitkit - 1100L x 1020W x 365H **Fridge not included Liftout Hatch provided to access space behind the fridge (100mm narrower if tie downs added to top) - 283L x 431W | \$2,745.00 | \$2,895.00 | | | |
| PS/PA-060403B-141227-1SL | Easy Access Combo 1 Standard Height & Wing Kit - Small Low Platform to Passenger Side (Gap size 510W). Single Drawer Standard Height O/A 1400L x 510W x 275H. Total Combo O/A 1400L x 1020W x 275H. (Suits RV-FS-1 or 3 *Not Included) | \$2,410.00 | \$2,560.00 | | | |
| PS/PA-060403B-141227-1SR | Easy Access Combo 1 Standard Height & Wing Kit - Small Low Platform to driver Side (Gap size 510W). Single Drawer Standard Height O/A 1400L x 510W x 275H. Total Combo O/A 1400L x 1020W x 275H. (Suits RV-FS-1 or 3 *Not Included) | \$2,410.00 | \$2,560.00 | | | |
| PS/PA-060403B-141227-1LL | Easy Access Combo 1 Standard Height & Wing Kit - Large Low Platform to Passenger Side (Gap size 570W). Single Drawer Standard Height O/A 1400L x 450W x 275H. Total Combo O/A 1400L x 1020W x 275H. (Suits all RV-FS listed below except SO *Not Included) | \$2,410.00 | \$2,560.00 | | | |
| PS/PA-060403B-141227-1LR | Easy Access Combo 1 Standard Height & Wing Kit - Large Low Platform to Driver Side (Gap size 570W). Single Drawer Standard Height O/A 1400L x 450W x 275H. Total Combo O/A 1400L x 1020W x 275H. (Suits all RV-FS listed below except SO *Not Included) | \$2,410.00 | \$2,560.00 | | | |
| PS/PA-060403B-111236-1SL | Easy Access Combo 1 Trade Height & Wing Kit - Small Low Platform to Passenger Side (Gap size 510W). Single Drawer Trade Height O/A 1100L x 510W x 365H. Total Combo O/A 1100L x 1020W x 365H. (Suits RV-FS-1 or 3 *Not Included) | \$2,455.00 | \$2,605.00 | | | |
| PS/PA-060403B-111236-1SR | Easy Access Combo 1 Trade Height & Wing Kit - Small Low Platform to driver Side (Gap size 510W). Single Drawer Trade Height O/A 1100L x 510W x 365H. Total Combo O/A 1100L x 1020W x 365H. (Suits RV-FS-1 or 3 *Not Included) | \$2,455.00 | \$2,605.00 | | | |
| PS/PA-060403B-111236-1LL | Easy Access Combo 1 Trade Height & Wing Kit - Large Low Platform to Passenger Side (Gap size 570W). Single Drawer Trade Height O/A 1100L x 450W x 365H. Total Combo O/A 1100L x 1020W x 365H. (Suits all RV-FS listed below except SO *Not Included) | \$2,455.00 | \$2,605.00 | | | |
| PS/PA-060403B-111236-1LR | Easy Access Combo 1 Trade Height & Wing Kit - Large Low Platform to Driver Side (Gap size 570W). Single Drawer Trade Height O/A 1100L x 450W x 365H. Total Combo O/A 1100L x 1020W x 365H. (Suits all RV-FS listed below except SO *Not Included) | \$2,455.00 | \$2,605.00 | | | |
| RV-EAC-IFP-1400 | Easy Access Combo INFILL PANEL FOR STANDARD HEIGHT- covers fridge slide cavity for a flat solid top effect | \$224.00 | N/A | | | |
| RV-EAC-IFP-1100 | Easy Access Combo INFILL PANEL FOR TRADE HEIGHT- covers fridge slide cavity for a flat solid top effect | \$224.00 | N/A | | | |
| RV-IBFS-1000-DS | Inbuilt Fridge Slide - flush fitting 1000L (Driver Side) <i>Premium drawers only</i> | \$448.00 | N/A | | | |
| RV-IBFS-1000-PS | Inbuilt Fridge Slide - flush fitting 1000L (Passenger Side) <i>Premium drawers only</i> | \$448.00 | N/A | | | |
| RV-IBFS-1300-DS | Inbuilt Fridge Slide - flush fitting 1300L (Driver Side) <i>Premium drawers only</i> | \$472.00 | N/A | | | |
| RV-IBFS-1300-PS | Inbuilt Fridge Slide - flush fitting 1300L (Passenger Side) <i>Premium drawers only</i> | \$472.00 | N/A | | | |
| PS/PA-RV-FS-1 | Heavy Duty Fridge Slide - 750L x 455W x 80H (external incl. Travel Lock) | \$472.00 | \$522.00 | | | |
| PS-RV-FS-1-SO | Heavy Duty Fridge Slide - 450L x 770W x 110H (external incl. Travel Lock) | \$472.00 | N/A | | | |
| PS/PA-RV-FS-1.5 | Heavy Duty Fridge Slide - 750L x 530W x 80H (external incl. Travel Lock) | \$520.00 | \$570.00 | | | |
| PS/PA-RV-FS-2 | Heavy Duty Fridge Slide - 850L x 560W x 80H (external incl. Travel Lock) | \$567.00 | \$617.00 | | | |
| PS-RV-FS-2-SO | Heavy Duty Fridge Slide - 550L x 870W x 110H (external incl. Travel Lock) | \$567.00 | N/A | | | |
| PS/PA-RV-FS-2.25 | Heavy Duty Fridge Slide - 950L x 560W x 80H (external incl. Travel Lock) | \$590.00 | \$640.00 | | | |
| PS/PA-RV-FS-2.5 | Heavy Duty Fridge Slide - 1050L x 560W x 80H (external incl. Travel Lock) | \$685.00 | \$735.00 | | | |
| PS/PA-RV-FS-3 | Heavy Duty Fridge Slide - 1410L x 455W x 80H (external incl. Travel Lock) **Not Available For Trade Height | \$886.00 | \$961.00 | | | |
| PS/PA-RV-FS-3.5 | Heavy Duty Fridge Slide - 1410L x 560W x 80H (external incl. Travel Lock) **Not Available For Trade Height | \$886.00 | \$961.00 | | | |
| Travel Slide Drawers available on page 181 Inbuilt Fridge Slides N/A for alloy drawers | | | | | | |

| VEHICLE MAKE MODEL | MERCEDES VITO VAN 639/W447 CDI 109, 111, 115, 116, 120 (APRIL 2004 +) - 1500x1140 / 1400x900 MERCEDES <u>LONG WHEEL BASE</u> | | |
|---|--|------------|------------|
| PA: Premium Alloy PS: Premium Steel EL: EcoLite | TRADE HEIGHT DRAWERS +\$100 PER DRAWER | | |
| | PREMBLK: PREMIUM BLACK RRP +180.00 (option) | | |
| | DESCRIPTION (PRICES INCLUDE WING KIT UNLESS OTHERWISE STATED) | PS RRP | PA RRP |
| PS-100101-155727-SSL | Single Drawer & Wing Kit REAR DOOR - Standard Height to Passenger Side 1500L x 570W x 275H | \$1,560.00 | N/A |
| PS-100101-155727-SSR | Single Drawer & Wing Kit REAR DOOR - Standard Height to Driver Side 1500L x 570W x 275H | \$1,560.00 | N/A |
| PS-100101-155736-SHL | Single Drawer & Wing Kit REAR DOOR - Trade Height to Passenger Side 1500L x 570W x 365H | \$1,660.00 | N/A |
| PS-100101-155736-SHR | Single Drawer & Wing Kit REAR DOOR - Trade Height to Driver Side 1500L x 570W x 365H | \$1,660.00 | N/A |
| EL-100101-151427-TDS | EcoLite Twin Drawer & Wing Kit REAR DOOR - Standard Height 1500L x 1020W x 275H (NOTE EcoLite Width: 1020W) | \$2,150.00 | N/A |
| PS/PA-100101-151427-TDS | Twin Drawer & Wing Kit REAR DOOR - Standard Height 1500L x 1140W x 275H | \$3,025.00 | N/A |
| PS-100101-151436-TDH | Twin Drawer & Wing Kit REAR DOOR - Trade Height 1500L x 1140W x 365H | \$3,225.00 | N/A |
| EL-100102-159027-TDS | EcoLite Twin Drawer & Wing Kit SIDE DOOR - Standard Height 1400L x 900W x 275H | \$2,070.00 | N/A |
| PS/PA-100102-159027-TDS | Twin Drawer & Wing Kit SIDE DOOR - Standard Height 1400L x 900W x 275H | \$2,870.00 | \$3,170.00 |
| PS-100102-159036-TDH | Twin Drawer & Wing Kit SIDE DOOR - Trade Height 1400L x 900W x 365H | \$3,070.00 | \$3,370.00 |
| RV-IBFS-1300-DS | Inbuilt Fridge Slide - flush fitting 1300L (Driver Side) <i>Premium drawers only</i> | \$472.00 | N/A |
| RV-IBFS-1300-PS | Inbuilt Fridge Slide - flush fitting 1300L (Passenger Side) <i>Premium drawers only</i> | \$472.00 | N/A |
| PS/PA-RV-FS-1 | Heavy Duty Fridge Slide - 750L x 455W x 80H (external incl. Travel Lock) | \$472.00 | \$522.00 |
| PS-RV-FS-1-SO | Heavy Duty Fridge Slide - 450L x 770W x 110H (external incl. Travel Lock) | \$472.00 | N/A |
| PS/PA-RV-FS-1.5 | Heavy Duty Fridge Slide - 750L x 530W x 80H (external incl. Travel Lock) | \$520.00 | \$570.00 |
| PS/PA-RV-FS-2 | Heavy Duty Fridge Slide - 850L x 560W x 80H (external incl. Travel Lock) | \$567.00 | \$617.00 |
| PS-RV-FS-2-SO | Heavy Duty Fridge Slide - 550L x 870W x 110H (external incl. Travel Lock) | \$567.00 | N/A |
| PS/PA-RV-FS-2.25 | Heavy Duty Fridge Slide - 950L x 560W x 80H (external incl. Travel Lock) | \$590.00 | \$640.00 |
| PS/PA-RV-FS-2.5 | Heavy Duty Fridge Slide - 1050L x 560W x 80H (external incl. Travel Lock) | \$685.00 | \$735.00 |
| PS/PA-RV-FS-3 | Heavy Duty Fridge Slide - 1410L x 455W x 80H (external incl. Travel Lock) | \$886.00 | \$961.00 |
| PS/PA-RV-FS-3.5 | Heavy Duty Fridge Slide - 1410L x 560W x 80H (external incl. Travel Lock) | \$886.00 | \$961.00 |
| Inbuilt Fridge Slides N/A for alloy drawers | | | |

| VEHICLE MAKE MODEL | MERCEDES VITO VAN 639 CDI 109, 111, 115, 120 (APRIL 2004 +) - 1200x1140 / 1500x900 SHORT WHEEL BASE MERCEDES | | |
|---|--|------------|------------|
| PA: Premium Alloy PS: Premium Steel EL: EcoLite | TRADE HEIGHT DRAWERS +\$100 PER DRAWER | | |
| | PREMBLK: PREMIUM BLACK RRP +180.00 (option) | | |
| | DESCRIPTION (PRICES INCLUDE WING KIT UNLESS OTHERWISE STATED) | PS RRP | PA RRP |
| PS/PA-100103-125727-SSL | Single Drawer & Wing Kit REAR DOOR - Standard Height to Passenger Side 1200L x 570W x 275H | \$1,450.00 | \$1,600.00 |
| PS/PA-100103-125727-SSR | Single Drawer & Wing Kit REAR DOOR - Standard Height to Driver Side 1200L x 570W x 275H | \$1,450.00 | \$1,600.00 |
| PS/PA-100103-125736-SHL | Single Drawer & Wing Kit REAR DOOR - Trade Height to Passenger Side 1200L x 570W x 365H | \$1,550.00 | \$1,700.00 |
| PS/PA-100103-125736-SHR | Single Drawer & Wing Kit REAR DOOR - Trade Height to Driver Side 1200L x 570W x 365H | \$1,550.00 | \$1,700.00 |
| EL-100103-121427-TDS | EcoLite Twin Drawer & Wing Kit REAR DOOR - Standard Height 1200L x 1020W x 275H (NOTE EcoLite Width: 1020W) | \$2,020.00 | N/A |
| PS/PA-100103-121427-TDS | Twin Drawer & Wing Kit REAR DOOR - Standard Height 1200L x 1140W x 275H | \$2,805.00 | \$3,105.00 |
| PS/PA-100103-121436-TDH | Twin Drawer & Wing Kit REAR DOOR - Trade Height 1200L x 1140W x 365H | \$3,005.00 | \$3,305.00 |
| EL-100104-159027-TDS | EcoLite Twin Drawer & Wing Kit SIDE DOOR - Standard Height 1500L x 900W x 275H | \$2,150.00 | N/A |
| PS/PA-100104-159027-TDS | Twin Drawer & Wing Kit SIDE DOOR - Standard Height 1500L x 900W x 275H | \$2,980.00 | \$3,280.00 |
| PS-100104-159036-TDH | Twin Drawer & Wing Kit SIDE DOOR - Trade Height 1500L x 900W x 365H | \$3,180.00 | N/A |
| RV-IBFS-1000-DS | Inbuilt Fridge Slide - flush fitting 1000L (REAR Driver Side) Premium drawers only | \$448.00 | N/A |
| RV-IBFS-1000-PS | Inbuilt Fridge Slide - flush fitting 1000L (REAR Passenger Side) Premium drawers only | \$448.00 | N/A |
| RV-IBFS-1300-DS | Inbuilt Fridge Slide - flush fitting 1300L (SIDE Driver Side) Premium drawers only | \$448.00 | N/A |
| RV-IBFS-1300-PS | Inbuilt Fridge Slide - flush fitting 1300L (SIDE Passenger Side) Premium drawers only | \$448.00 | N/A |
| PS/PA-RV-FS-1 | Heavy Duty Fridge Slide - 750L x 455W x 80H (external incl. Travel Lock) | \$472.00 | \$522.00 |
| PS-RV-FS-1-SO | Heavy Duty Fridge Slide - 450L x 770W x 110H (external incl. Travel Lock) | \$472.00 | N/A |
| PS/PA-RV-FS-1.5 | Heavy Duty Fridge Slide - 750L x 530W x 80H (external incl. Travel Lock) | \$520.00 | \$570.00 |
| PS/PA-RV-FS-2 | Heavy Duty Fridge Slide - 850L x 560W x 80H (external incl. Travel Lock) | \$567.00 | \$617.00 |
| PS-RV-FS-2-SO | Heavy Duty Fridge Slide - 550L x 870W x 110H (external incl. Travel Lock) | \$567.00 | N/A |
| PS/PA-RV-FS-2.25 | Heavy Duty Fridge Slide - 950L x 560W x 80H (external incl. Travel Lock) **SIDE DOOR ONLY | \$590.00 | \$640.00 |
| PS/PA-RV-FS-2.5 | Heavy Duty Fridge Slide - 1050L x 560W x 80H (external incl. Travel Lock) **SIDE DOOR ONLY | \$685.00 | \$735.00 |
| Inbuilt Fridge Slides N/A for alloy drawers | | | |

| VEHICLE MAKE MODEL | MERCEDES VITO VAN 639 CDI 109, 111, 115, 120 (APRIL 2004 +) - 1500x1140 <i>5 Seater</i> LONG WHEEL BASE | | | MERCEDES |
|---|---|------------|----------|----------|
| PA: Premium Alloy PS: Premium Steel EL: EcoLite | TRADE HEIGHT DRAWERS +\$100 PER DRAWER | | | |
| | PREMBLK: PREMIUM BLACK RRP +180.00 (option) | | | |
| | DESCRIPTION (PRICES INCLUDE WING KIT UNLESS OTHERWISE STATED) | PS RRP | PA RRP | |
| PS-100105-155727-SSL | Single Drawer & Wing Kit - Standard Height to Passenger Side 1500L x 570W x 275H | \$1,560.00 | N/A | |
| PS-100105-155727-SSR | Single Drawer & Wing Kit - Standard Height to Driver Side 1500L x 570W x 275H | \$1,560.00 | N/A | |
| PS-100105-155736-SHL | Single Drawer & Wing Kit - Trade Height to Passenger Side 1500L x 570W x 365H | \$1,660.00 | N/A | |
| PS-100105-155736-SHR | Single Drawer & Wing Kit - Trade Height to Driver Side 1500L x 570W x 365H | \$1,660.00 | N/A | |
| EL-100105-151227-TDS | EcoLite Twin Drawer & Wing Kit - Standard Height 1500L x 1020W x 275H (NOTE EcoLite Width: 1020W) | \$2,150.00 | N/A | |
| PS-100105-151427-TDS | Twin Drawer & Wing Kit - Standard Height 1500L x 1140W x 275H | \$3,025.00 | N/A | |
| PS-100105-151436-TDH | Twin Drawer & Wing Kit - Trade Height 1500L x 1140W x 365H | \$3,225.00 | N/A | |
| RV-IBFS-1300-DS | Inbuilt Fridge Slide - flush fitting 1300L (Driver Side) Premium drawers only | \$472.00 | N/A | |
| RV-IBFS-1300-PS | Inbuilt Fridge Slide - flush fitting 1300L (Passenger Side) Premium drawers only | \$472.00 | N/A | |
| PS/PA-RV-FS-1 | Heavy Duty Fridge Slide - 750L x 455W x 80H (external incl. Travel Lock) | \$472.00 | \$522.00 | |
| PS-RV-FS-1-SO | Heavy Duty Fridge Slide - 450L x 770W x 110H (external incl. Travel Lock) | \$472.00 | N/A | |
| PS/PA-RV-FS-1.5 | Heavy Duty Fridge Slide - 750L x 530W x 80H (external incl. Travel Lock) | \$520.00 | \$570.00 | |
| PS/PA-RV-FS-2 | Heavy Duty Fridge Slide - 850L x 560W x 80H (external incl. Travel Lock) | \$567.00 | \$617.00 | |
| PS-RV-FS-2-SO | Heavy Duty Fridge Slide - 550L x 870W x 110H (external incl. Travel Lock) | \$567.00 | N/A | |
| PS/PA-RV-FS-2.25 | Heavy Duty Fridge Slide - 950L x 560W x 80H (external incl. Travel Lock) | \$590.00 | \$640.00 | |
| PS/PA-RV-FS-2.5 | Heavy Duty Fridge Slide - 1050L x 560W x 80H (external incl. Travel Lock) | \$685.00 | \$735.00 | |
| PS/PA-RV-FS-3 | Heavy Duty Fridge Slide - 1410L x 455W x 80H (external incl. Travel Lock) | \$886.00 | \$961.00 | |
| PS/PA-RV-FS-3.5 | Heavy Duty Fridge Slide - 1410L x 560W x 80H (external incl. Travel Lock) | \$886.00 | \$961.00 | |

| VEHICLE MAKE MODEL | MERCEDES X-CLASS 470, X250D, X350D (APRIL 2018+) - 1500x1140 DUAL CAB - NO LINER | MERCEDES | |
|---|--|------------|----------|
| PA: Premium Alloy PS: Premium Steel EL: EcoLite | TRADE HEIGHT DRAWERS +\$100 PER DRAWER | | |
| | PREMBLK: PREMIUM BLACK RRP +180.00 (option) | | |
| | DESCRIPTION (PRICES INCLUDE WING KIT UNLESS OTHERWISE STATED) | PS RRP | PA RRP |
| PS-100201-155727-SSL | Single Drawer & Wing Kit - Standard Height to Passenger Side 1500L x 570W x 275H | \$1,560.00 | N/A |
| PS-100201-155727-SSR | Single Drawer & Wing Kit - Standard Height to Driver Side 1500L x 570W x 275H | \$1,560.00 | N/A |
| PS-100201-155736-SHL | Single Drawer & Wing Kit - Trade Height to Passenger Side 1500L x 570W x 365H | \$1,660.00 | N/A |
| PS-100201-155736-SHR | Single Drawer & Wing Kit - Trade Height to Driver Side 1500L x 570W x 365H | \$1,660.00 | N/A |
| EL-100201-151227-TDS | EcoLite Twin Drawer & Wing Kit - Standard Height 1500L x 1020W x 275H (NOTE EcoLite Width: 1020W) | \$2,150.00 | N/A |
| PS-100201-151427-TDS | Twin Drawer & Wing Kit - Standard Height 1500L x 1140W x 275H | \$3,025.00 | N/A |
| PS-100201-151436-TDH | Twin Drawer & Wing Kit - Trade Height 1500L x 1140W x 365H | \$3,225.00 | N/A |
| PS-100201-151430-FDC-E/D | Fridge Drawer Combo with 30L Engel/Dometic Fitkit - 1500L x 1140W x 300H **Fridge not included Liftout Hatch provided to access space behind the fridge (100mm narrower if tie downs added to top) - 683L x 431W | \$2,770.00 | N/A |
| PS-100201-151436-FDC-EK | Fridge Drawer Combo with 40L EvaKool Fitkit - 1500L x 1140W x 365H **Fridge not included Liftout Hatch provided to access space behind the fridge (100mm narrower if tie downs added to top) - 683L x 560W | \$2,880.00 | N/A |
| PS-100201-151436-FDC-IM | Fridge Drawer Combo with 40L Ironman Fitkit - 1500L x 1140W x 365H **Fridge not included Liftout Hatch provided to access space behind the fridge (100mm narrower if tie downs added to top) - 683L x 510W | \$2,880.00 | N/A |
| PS-100201-151436-FDC-BM | Fridge Drawer Combo with 30L Bushman Fitkit - 1500L x 1140W x 365H **Fridge not included Liftout Hatch provided to access space behind the fridge (100mm narrower if tie downs added to top) - 683L x 431W | \$2,880.00 | N/A |
| PS-100201-151427-1LL | Easy Access Combo 1 & Wing Kit - Large Low Platform to Passenger Side (Gap size 570W), Single Drawer O/A 1500L x 570W x 275H. Total Combo O/A 1500L x 1140W x 275H. (Suits all RV-FS listed below except SO *Not Included) | \$2,490.00 | N/A |
| PS-100201-151427-1LR | Easy Access Combo 1 & Wing Kit - Large Low Platform to Driver Side (Gap size 570W), Single Drawer O/A 1500L x 570W x 275H. Total Combo O/A 1500L x 1140W x 275H. (Suits all RV-FS listed below except SO *Not Included) | \$2,490.00 | N/A |
| PS-100201-151427-2LL | Easy Access Combo 2 & Wing Kit - Large Low Platform to Passenger Side (Gap size 570W), Double Stacked Drawers (Standard Height Bottom Drawer O/A 1500L x 570W x 275H, Trade Height Top Drawer O/A 1400L x 570W x 365H). Total Combo O/A 1500L x 1140W x 640H. (Suits all RV-FS listed below except SO *Not Included). Optional 1400L Standard Height top drawer minus -\$100.00 | \$3,240.00 | N/A |
| PS-100201-151427-2LR | Easy Access Combo 2 & Wing Kit - Large Low Platform to Driver Side (Gap size 570W), Double Stacked Drawers (Standard Height Bottom Drawer O/A 1500L x 570W x 275H, Trade Height Top Drawer O/A 1400L x 570W x 365H). Total Combo O/A 1500L x 1140W x 640H. (Suits all RV-FS listed below except SO *Not Included). Optional 1400L Standard Height top drawer minus -\$100.00 | \$3,240.00 | N/A |
| RV-EAC-IFP-1500 | Easy Access Combo INFILL PANEL - covers fridge slide cavity to create a flat solid top effect (NOTE: top drawer must be removed on EAC-2 systems) | \$224.00 | N/A |
| RV-IBFS-1300-DS | Inbuilt Fridge Slide - flush fitting 1300L (Driver Side) Premium drawers only | \$472.00 | N/A |
| RV-IBFS-1300-PS | Inbuilt Fridge Slide - flush fitting 1300L (Passenger Side) Premium drawers only | \$472.00 | N/A |
| RV-CS-1457-00 | Cargo Shelf single - 1400L Ventilated side panel and solid top shelf to fit FS1.5 & FS-2 (large fridge space) Suits EAC-1 1500L x 1140W | \$803.00 | N/A |
| RV-CS-0814-00 | Cargo Shelf double - 800L Ventilated side panel and solid top shelf system. Fits EAC-2 1500L x 1140W fitted with a Trade Height top drawer | \$667.00 | N/A |
| PS/PA-RV-FS-1 | Heavy Duty Fridge Slide - 750L x 455W x 80H (external incl. Travel Lock) | \$472.00 | \$522.00 |
| PS-RV-FS-1-SO | Heavy Duty Fridge Slide - 450L x 770W x 110H (external incl. Travel Lock) | \$472.00 | N/A |
| PS/PA-RV-FS-1.5 | Heavy Duty Fridge Slide - 450L x 770W x 110H (external incl. Travel Lock) | \$520.00 | \$570.00 |
| PS/PA-RV-FS-2 | Heavy Duty Fridge Slide - 850L x 560W x 80H (external incl. Travel Lock) | \$567.00 | \$617.00 |
| PS-RV-FS-2-SO | Heavy Duty Fridge Slide - 550L x 870W x 110H (external incl. Travel Lock) | \$567.00 | N/A |
| PS/PA-RV-FS-2.25 | Heavy Duty Fridge Slide - 950L x 560W x 80H (external incl. Travel Lock) | \$590.00 | \$640.00 |
| PS/PA-RV-FS-2.5 | Heavy Duty Fridge Slide - 1050L x 560W x 80H (external incl. Travel Lock) | \$685.00 | \$735.00 |
| PS/PA-RV-FS-3 | Heavy Duty Fridge Slide - 1410L x 455W x 80H (external incl. Travel Lock) | \$886.00 | \$961.00 |
| PS/PA-RV-FS-3.5 | Heavy Duty Fridge Slide - 1410L x 560W x 80H (external incl. Travel Lock) | \$886.00 | \$961.00 |

Travel Slide Drawers available on page 181

| VEHICLE MAKE MODEL | MERCEDES X-CLASS 470, X250D, X350D (APRIL 2018+) - 1400x1140 DUAL CAB - GENUINE LINER MERCEDES | | |
|---|--|------------|------------|
| PA: Premium Alloy PS: Premium Steel EL: EcoLite | TRADE HEIGHT DRAWERS +\$100 PER DRAWER | | |
| | PREMBLK: PREMIUM BLACK RRP +180.00 (option) | | |
| | DESCRIPTION (PRICES INCLUDE WING KIT UNLESS OTHERWISE STATED) | PS RRP | PA RRP |
| PS/PA-100202-145727-SSL | Single Drawer & Wing Kit - Standard Height to Passenger Side 1400L x 570W x 275H | \$1,505.00 | \$1,655.00 |
| PS/PA-100202-145727-SSR | Single Drawer & Wing Kit - Standard Height to Driver Side 1400L x 570W x 275H | \$1,505.00 | \$1,655.00 |
| PS/PA-100202-145736-SHL | Single Drawer & Wing Kit - Trade Height to Passenger Side 1400L x 570W x 365H | \$1,605.00 | \$1,755.00 |
| PS/PA-100202-145736-SHR | Single Drawer & Wing Kit - Trade Height to Driver Side 1400L x 570W x 365H | \$1,605.00 | \$1,755.00 |
| EL-100202-141227-TDS | EcoLite Twin Drawer & Wing Kit - Standard Height 1400L x 1020W x 275H (NOTE EcoLite Width: 1020W) | \$2,080.00 | N/A |
| PS/PA-100202-141427-TDS | Twin Drawer & Wing Kit - Standard Height 1400L x 1140W x 275H | \$2,915.00 | \$3,215.00 |
| PS/PA-100202-141436-TDH | Twin Drawer & Wing Kit - Trade Height 1400L x 1140W x 365H | \$3,115.00 | \$3,415.00 |
| PS/PA-100202-141430-FDC-E/D | Fridge Drawer Combo with 30L Engel/Dometic Fitkit - 1400L x 1140W x 300H **Fridge not included Liftout Hatch provided to access space behind the fridge (100mm narrower if tie downs added to top) - 583L x 431W | \$2,690.00 | \$2,840.00 |
| PS/PA-100202-141436-FDC-EK | Fridge Drawer Combo with 40L EvaKool Fitkit - 1400L x 1140W x 365H **Fridge not included Liftout Hatch provided to access space behind the fridge (100mm narrower if tie downs added to top) - 583L x 560W | \$2,800.00 | \$2,950.00 |
| PS/PA-100202-141436-FDC-IM | Fridge Drawer Combo with 40L Ironman Fitkit - 1400L x 1140W x 365H **Fridge not included Liftout Hatch provided to access space behind the fridge (100mm narrower if tie downs added to top) - 583L x 510W | \$2,800.00 | \$2,950.00 |
| PS/PA-100202-141436-FDC-BM | Fridge Drawer Combo with 30L Bushman Fitkit - 1400L x 1140W x 365H **Fridge not included Liftout Hatch provided to access space behind the fridge (100mm narrower if tie downs added to top) - 583L x 431W | \$2,800.00 | \$2,950.00 |
| PS/PA-100202-141427-1LL | Easy Access Combo 1 & Wing Kit - Large Low Platform to Passenger Side (Gap size 570W), Single Drawer O/A 1400L x 570W x 275H. Total Combo O/A 1400L x 1140W x 275H. (Suits all RV-FS listed below except SO *Not Included) | \$2,435.00 | \$2,585.00 |
| PS/PA-100202-141427-1LR | Easy Access Combo 1 & Wing Kit - Large Low Platform to Driver Side (Gap size 570W), Single Drawer O/A 1400L x 570W x 275H. Total Combo O/A 1400L x 1140W x 275H. (Suits all RV-FS listed below except SO *Not Included) | \$2,435.00 | \$2,585.00 |
| PS/PA-100202-141427-2LL | Easy Access Combo 2 & Wing Kit - Large Low Platform to Passenger Side (Gap size 570W), Double Stacked Drawers (Standard Height Bottom Drawer O/A 1400L x 570W x 275H, Trade Height Top Drawer O/A 1100L x 570W x 365H). Total Combo O/A 1400L x 1140W x 640H. (Suits all RV-FS listed below except SO *Not Included). Optional 1100L Standard Height top drawer minus -\$100.00 | \$3,130.00 | \$3,430.00 |
| PS/PA-100202-141427-2LR | Easy Access Combo 2 & Wing Kit - Large Low Platform to Driver Side (Gap size 570W), Double Stacked Drawers (Standard Height Bottom Drawer O/A 1400L x 570W x 275H, Trade Height Top Drawer O/A 1100L x 570W x 365H). Total Combo O/A 1400L x 1140W x 640H. (Suits all RV-FS listed below except SO *Not Included). Optional 1100L Standard Height top drawer minus -\$100.00 | \$3,130.00 | \$3,430.00 |
| RV-EAC-IFP-1400 | Easy Access Combo INFILL PANEL - covers fridge slide cavity to create a flat solid top effect (NOTE: top drawer must be removed on EAC-2 systems) | \$224.00 | N/A |
| RV-IBFS-1300-DS | Inbuilt Fridge Slide - flush fitting 1300L (Driver Side) Premium drawers only | \$472.00 | N/A |
| RV-IBFS-1300-PS | Inbuilt Fridge Slide - flush fitting 1300L (Passenger Side) Premium drawers only | \$472.00 | N/A |
| RV-CS-1457-00 | Cargo Shelf single - 1400L Ventilated side panel and solid top shelf to fit FS1.5 & FS-2 (large fridge space) Suits EAC-1 1400L x 1140W | \$803.00 | N/A |
| RV-CS-0814-00 | Cargo Shelf double - 800L Ventilated side panel and solid top shelf system. Fits EAC-2 1400L x 1140W fitted with a Trade Height top drawer | \$667.00 | N/A |
| PS/PA-RV-FS-1 | Heavy Duty Fridge Slide - 750L x 455W x 80H (external incl. Travel Lock) | \$472.00 | \$522.00 |
| PS/PA-RV-FS-1-SO | Heavy Duty Fridge Slide - 450L x 770W x 110H (external incl. Travel Lock) | \$472.00 | N/A |
| PS/PA-RV-FS-1.5 | Heavy Duty Fridge Slide - 750L x 530W x 80H (external incl. Travel Lock) | \$520.00 | \$570.00 |
| PS/PA-RV-FS-2 | Heavy Duty Fridge Slide - 850L x 560W x 80H (external incl. Travel Lock) | \$567.00 | \$617.00 |
| PS/PA-RV-FS-2-SO | Heavy Duty Fridge Slide - 550L x 870W x 110H (external incl. Travel Lock) | \$567.00 | N/A |
| PS/PA-RV-FS-2.25 | Heavy Duty Fridge Slide - 950L x 560W x 80H (external incl. Travel Lock) | \$590.00 | \$640.00 |
| PS/PA-RV-FS-2.5 | Heavy Duty Fridge Slide - 1050L x 560W x 80H (external incl. Travel Lock) | \$685.00 | \$735.00 |
| PS/PA-RV-FS-3 | Heavy Duty Fridge Slide - 1410L x 455W x 80H (external incl. Travel Lock) | \$886.00 | \$961.00 |
| PS/PA-RV-FS-3.5 | Heavy Duty Fridge Slide - 1410L x 560W x 80H (external incl. Travel Lock) | \$886.00 | \$961.00 |
| Travel Slide Drawers available on page 181 Inbuilt Fridge Slides N/A for alloy drawers | | | |

| VEHICLE MAKE MODEL | MITSUBISHI TRITON MK Dual Cab GL, GLX, GLS (1996-2005) - 1300x970 NO TUB LINER | MITSUBISHI | |
|---|---|------------|------------|
| PA: Premium Alloy PS: Premium Steel EL: EcoLite | TRADE HEIGHT DRAWERS +\$100 PER DRAWER | | |
| | PREMBLK: PREMIUM BLACK RRP +180.00 (option) | | |
| | DESCRIPTION (PRICES INCLUDE WING KIT UNLESS OTHERWISE STATED) | PS RRP | PA RRP |
| PS/PA-050101-134827-SSL | Single Drawer & Wing Kit - Standard Height to Passenger Side 1300L x 485W x 275H | \$1,460.00 | \$1,610.00 |
| PS/PA-050101-134827-SSR | Single Drawer & Wing Kit - Standard Height to Driver Side 1300L x 485W x 275H | \$1,460.00 | \$1,610.00 |
| PS/PA-050101-134836-SHL | Single Drawer & Wing Kit - Trade Height to Passenger Side 1300L x 485W x 365H | \$1,560.00 | \$1,710.00 |
| PS/PA-050101-134836-SHR | Single Drawer & Wing Kit - Trade Height to Driver Side 1300L x 485W x 365H | \$1,560.00 | \$1,710.00 |
| EL-050101-139727-TDS | EcoLite Twin Drawer & Wing Kit - Standard Height 1300L x 970W x 275H | \$2,020.00 | N/A |
| PS/PA-050101-139727-TDS | Twin Drawer & Wing Kit - Standard Height 1300L x 970W x 275H | \$2,815.00 | \$3,115.00 |
| PS/PA-050101-139736-TDH | Twin Drawer & Wing Kit - Trade Height 1300L x 970W x 365H | \$3,015.00 | \$3,315.00 |
| PS/PA-050101-139730-FDC-E/D | Fridge Drawer Combo with 30L Engel/Dometic Fitkit - 1300L x 970W x 300H **Fridge not included Liftout Hatch provided to access space behind the fridge (100mm narrower if tie downs added to top) - 483L x 431W | \$2,635.00 | \$2,785.00 |
| PS/PA-050101-139736-FDC-EK | Fridge Drawer Combo with 40L EvaKool Fitkit - 1300L x 970W x 365H **Fridge not included Liftout Hatch provided to access space behind the fridge (100mm narrower if tie downs added to top) - 483L x 560W | \$2,745.00 | \$2,895.00 |
| PS/PA-050101-139736-FDC-IM | Fridge Drawer Combo with 40L Ironman Fitkit - 1300L x 970W x 365H **Fridge not included Liftout Hatch provided to access space behind the fridge (100mm narrower if tie downs added to top) - 483L x 510W | \$2,745.00 | \$2,895.00 |
| PS/PA-050101-139736-FDC-BM | Fridge Drawer Combo with 30L Bushman Fitkit - 1300L x 970W x 365H **Fridge not included Liftout Hatch provided to access space behind the fridge (100mm narrower if tie downs added to top) - 483L x 431W | \$2,745.00 | \$2,895.00 |
| PS/PA-050101-139727-1SL | Easy Access Combo 1 & Wing Kit - Small Low Platform to Passenger Side (Gap size 485W). Single Drawer O/A 1300L x 485W x 275H. Total Combo O/A 1300L x 970W x 275H. (Suits RV-FS-1 *Not Included) | \$2,355.00 | \$2,505.00 |
| PS/PA-050101-139727-1SR | Easy Access Combo 1 & Wing Kit - Small Low Platform to Driver Side (Gap size 485W). Single Drawer O/A 1300L x 485W x 275H. Total Combo O/A 1300L x 970W x 275H. (Suits RV-FS-1 *Not Included) | \$2,355.00 | \$2,505.00 |
| PS/PA-050101-139727-1LL | Easy Access Combo 1 & Wing Kit - Large Low Platform to Passenger Side (Gap size 570W). Single Drawer O/A 1300L x 400W x 275H. Total Combo O/A 1300L x 970W x 275H. (Suits all RV-FS listed below except SO *Not Included) | \$2,355.00 | \$2,505.00 |
| PS/PA-050101-139727-1LR | Easy Access Combo 1 & Wing Kit - Large Low Platform to Driver Side (Gap size 570W). Single Drawer O/A 1300L x 400W x 275H. Total Combo O/A 1300L x 970W x 275H. (Suits all RV-FS listed below except SO *Not Included) | \$2,355.00 | \$2,505.00 |
| PS/PA-050101-139727-2SL | Easy Access Combo 2 & Wing Kit - Small Low Platform to Passenger Side (Gap size 485W). Double Stacked Drawers (Standard Height Bottom Drawer O/A 1300L x 485W x 275H, Trade Height Top Drawer O/A 1000L x 485W x 365H). Total Combo O/A 1300L x 970W x 640H. (Suits RV-FS-1 *Not Included). Optional 1000L Standard Height top drawer minus -\$100.00 | \$3,045.00 | \$3,345.00 |
| PS/PA-050101-139727-2SR | Easy Access Combo 2 & Wing Kit - Small Low Platform to Driver Side (Gap size 485W). Double Stacked Drawers (Standard Height Bottom Drawer O/A 1300L x 485W x 275H, Trade Height Top Drawer O/A 1000L x 485W x 365H). Total Combo O/A 1300L x 970W x 640H. (Suits RV-FS-1 *Not Included). Optional 1000L Standard Height top drawer minus -\$100.00 | \$3,045.00 | \$3,345.00 |
| PS/PA-050101-139727-2LL | Easy Access Combo 2 & Wing Kit - Large Low Platform to Passenger Side (Gap size 570W). Double Stacked Drawers (Standard Height Bottom Drawer O/A 1300L x 400W x 275H, Trade Height Top Drawer O/A 1000L x 400W x 365H). Total Combo O/A 1300L x 970W x 640H. (Suits all RV-FS listed below except SO *Not Included). Optional 1000L Standard Height top drawer minus -\$100.00 | \$3,045.00 | \$3,345.00 |
| PS/PA-050101-139727-2LR | Easy Access Combo 2 & Wing Kit - Large Low Platform to Driver Side (Gap size 570W). Double Stacked Drawers (Standard Height Bottom Drawer O/A 1300L x 400W x 275H, Trade Height Top Drawer O/A 1000L x 400W x 365H). Total Combo O/A 1300L x 970W x 640H. (Suits all RV-FS listed below except SO *Not Included). Optional 1000L Standard Height top drawer minus -\$100.00 | \$3,045.00 | \$3,345.00 |
| RV-EAC-IFP-1300 | Easy Access Combo INFILL PANEL - covers fridge slide cavity to create a flat solid top effect (NOTE: top drawer must be removed on EAC-2 systems) | \$224.00 | N/A |
| RV-IBFS-1300-DS | Inbuilt Fridge Slide - flush fitting 1300L (Driver Side) <i>Premium drawers only</i> | \$472.00 | N/A |
| RV-IBFS-1300-PS | Inbuilt Fridge Slide - flush fitting 1300L (Passenger Side) <i>Premium drawers only</i> | \$472.00 | N/A |
| RV-CS-0848-00 | Cargo Shelf single - 800L Ventilated side panel and solid top shelf to fit FS-1 (small fridge space) Suits EAC-1 1300L x 970W | \$520.00 | N/A |
| RV-CS-0857-00 | Cargo Shelf single - 800L Ventilated side panel and solid top shelf to fit FS-1.5 & FS-2 (large fridge space) Suits EAC-1 1300L x 970W | \$520.00 | N/A |
| RV-CS-0897-00 | Cargo Shelf double - 800L Ventilated side panel and solid top shelf system. Fits EAC-2 1300L x 970W fitted with a Trade Height top drawer | \$567.00 | N/A |
| PS/PA-RV-FS-1 | Heavy Duty Fridge Slide - 750L x 455W x 80H (external incl. Travel Lock) | \$472.00 | \$522.00 |
| PS-RV-FS-1-SO | Heavy Duty Fridge Slide - 450L x 770W x 110H (external incl. Travel Lock) | \$472.00 | N/A |
| PS/PA-RV-FS-1.5 | Heavy Duty Fridge Slide - 750L x 530W x 80H (external incl. Travel Lock) | \$520.00 | \$570.00 |
| PS/PA-RV-FS-2 | Heavy Duty Fridge Slide - 850L x 560W x 80H (external incl. Travel Lock) | \$567.00 | \$617.00 |
| PS-RV-FS-2-SO | Heavy Duty Fridge Slide - 550L x 870W x 110H (external incl. Travel Lock) | \$567.00 | N/A |
| PS/PA-RV-FS-2.25 | Heavy Duty Fridge Slide - 950L x 560W x 80H (external incl. Travel Lock) | \$590.00 | \$640.00 |
| PS/PA-RV-FS-2.5 | Heavy Duty Fridge Slide - 1050L x 560W x 80H (external incl. Travel Lock) | \$685.00 | \$735.00 |
| Travel Slide Drawers available on page 181 Inbuilt Fridge Slides N/A for alloy drawers | | | |

| VEHICLE MAKE MODEL | MITSUBISHI TRITON ML Dual Cab GL, GLX, GLS, VR (2006 - JULY 2009) - 1300x1020 NO TUB LINER | MITSUBISHI | |
|---|--|------------|------------|
| PA: Premium Alloy PS: Premium Steel EL: EcoLite | TRADE HEIGHT DRAWERS +\$100 PER DRAWER | | |
| | PREMBLK: PREMIUM BLACK RRP +180.00 (option) | | |
| | DESCRIPTION (PRICES INCLUDE WING KIT UNLESS OTHERWISE STATED) | PS RRP | PA RRP |
| PS/PA-050201-135127-SSL | Single Drawer & Wing Kit - Standard Height to Passenger Side 1300L x 510W x 275H | \$1,460.00 | \$1,610.00 |
| PS/PA-050201-135127-SSR | Single Drawer & Wing Kit - Standard Height to Driver Side 1300L x 510W x 275H | \$1,460.00 | \$1,610.00 |
| PS/PA-050201-135136-SHL | Single Drawer & Wing Kit - Trade Height to Passenger Side 1300L x 510W x 365H | \$1,560.00 | \$1,710.00 |
| PS/PA-050201-135136-SHR | Single Drawer & Wing Kit - Trade Height to Driver Side 1300L x 510W x 365H | \$1,560.00 | \$1,710.00 |
| EL-050201-131227-TDS | EcoLite Twin Drawer & Wing Kit - Standard Height 1300L x 1020W x 275H | \$2,020.00 | N/A |
| PS/PA-050201-131227-TDS | Twin Drawer & Wing Kit - Standard Height 1300L x 1020W x 275H | \$2,815.00 | \$3,115.00 |
| PS/PA-050201-131236-TDH | Twin Drawer & Wing Kit - Trade Height 1300L x 1020W x 365H | \$3,015.00 | \$3,315.00 |
| PS/PA-050201-131230-FDC-E/D | Fridge Drawer Combo with 30L Engel/Dometic Fitkit - 1300L x 1020W x 300H **Fridge not included Liftout Hatch provided to access space behind the fridge (100mm narrower if tie downs added to top) - 483L x 431W | \$2,635.00 | \$2,785.00 |
| PS/PA-050201-131236-FDC-EK | Fridge Drawer Combo with 40L EvaKool Fitkit - 1300L x 1020W x 365H **Fridge not included Liftout Hatch provided to access space behind the fridge (100mm narrower if tie downs added to top) - 483L x 560W | \$2,745.00 | \$2,895.00 |
| PS/PA-050201-131236-FDC-IM | Fridge Drawer Combo with 40L Ironman Fitkit - 1300L x 1020W x 365H **Fridge not included Liftout Hatch provided to access space behind the fridge (100mm narrower if tie downs added to top) - 483L x 510W | \$2,745.00 | \$2,895.00 |
| PS/PA-050201-131236-FDC-BM | Fridge Drawer Combo with 30L Bushman Fitkit - 1300L x 1020W x 365H **Fridge not included Liftout Hatch provided to access space behind the fridge (100mm narrower if tie downs added to top) - 483L x 431W | \$2,745.00 | \$2,895.00 |
| PS/PA-050201-131227-1SL | Easy Access Combo 1 & Wing Kit - Small Low Platform to Passenger Side (Gap size 510W). Single Drawer O/A 1300L x 510W x 275H. Total Combo O/A 1300L x 1020W x 275H. (Suits RV-FS-1 *Not Included) | \$2,355.00 | \$2,505.00 |
| PS/PA-050201-131227-1SR | Easy Access Combo 1 & Wing Kit - Small Low Platform to Driver Side (Gap size 510W). Single Drawer O/A 1300L x 510W x 275H. Total Combo O/A 1300L x 1020W x 275H. (Suits RV-FS-1 *Not Included) | \$2,355.00 | \$2,505.00 |
| PS/PA-050201-131227-1LL | Easy Access Combo 1 & Wing Kit - Large Low Platform to Passenger Side (Gap size 570W). Single Drawer O/A 1300L x 450W x 275H. Total Combo O/A 1300L x 1020W x 275H. (Suits all RV-FS listed below except SO *Not Included) | \$2,355.00 | \$2,505.00 |
| PS/PA-050201-131227-1LR | Easy Access Combo 1 & Wing Kit - Large Low Platform to Driver Side (Gap size 570W). Single Drawer O/A 1300L x 450W x 275H. Total Combo O/A 1300L x 1020W x 275H. (Suits all RV-FS listed below except SO *Not Included) | \$2,355.00 | \$2,505.00 |
| PS/PA-050201-131227-2SL | Easy Access Combo 2 & Wing Kit - Small Low Platform to Passenger Side (Gap size 510W). Double Stacked Drawers (Standard Height Bottom Drawer O/A 1300L x 510W x 275H, Trade Height Top Drawer O/A 1000L x 510W x 365H). Total Combo O/A 1300L x 1020W x 640H. (Suits RV-FS-1 *Not Included). Optional 1000L Standard Height top drawer minus -\$100.00 | \$3,045.00 | \$3,345.00 |
| PS/PA-050201-131227-2SR | Easy Access Combo 2 & Wing Kit - Small Low Platform to Driver Side (Gap size 510W). Double Stacked Drawers (Standard Height Bottom Drawer O/A 1300L x 510W x 275H, Trade Height Top Drawer O/A 1000L x 510W x 365H). Total Combo O/A 1300L x 1020W x 640H. (Suits RV-FS-1 *Not Included). Optional 1000L Standard Height top drawer minus -\$100.00 | \$3,045.00 | \$3,345.00 |
| PS/PA-050201-131227-2LL | Easy Access Combo 2 & Wing Kit - Large Low Platform to Passenger Side (Gap size 570W). Double Stacked Drawers (Standard Height Bottom Drawer O/A 1300L x 450W x 275H, Trade Height Top Drawer O/A 1000L x 450W x 365H). Total Combo O/A 1300L x 1020W x 640H. (Suits all RV-FS listed below except SO *Not Included). Optional 1000L Standard Height top drawer minus -\$100.00 | \$3,045.00 | \$3,345.00 |
| PS/PA-050201-131227-2LR | Easy Access Combo 2 & Wing Kit - Large Low Platform to Driver Side (Gap size 570W). Double Stacked Drawers (Standard Height Bottom Drawer O/A 1300L x 450W x 275H, Trade Height Top Drawer O/A 1000L x 450W x 365H). Total Combo O/A 1300L x 1020W x 640H. (Suits all RV-FS listed below except SO *Not Included). Optional 1000L Standard Height top drawer minus -\$100.00 | \$3,045.00 | \$3,345.00 |
| RV-EAC-IFP-1300 | Easy Access Combo INFILL PANEL - covers fridge slide cavity to create a flat solid top effect (NOTE: top drawer must be removed on EAC-2 systems) | \$224.00 | N/A |
| RV-IBFS-1300-DS | Inbuilt Fridge Slide - flush fitting 1300L (Driver Side) Premium drawers only | \$472.00 | N/A |
| RV-IBFS-1300-PS | Inbuilt Fridge Slide - flush fitting 1300L (Passenger Side) Premium drawers only | \$472.00 | N/A |
| RV-CS-0851-00 | Cargo Shelf single - 800L Ventilated side panel and solid top shelf to fit FS-1 (small fridge space) Suits EAC-1 1300L x 970W | \$520.00 | N/A |
| RV-CS-0857-00 | Cargo Shelf single - 800L Ventilated side panel and solid top shelf to fit FS-1.5 & FS-2 (large fridge space) Suits EAC-1 1300L x 970W | \$520.00 | N/A |
| RV-CS-0812-00 | Cargo Shelf double - 800L Ventilated side panel and solid top shelf system. Fits EAC-2 1300L x 970W fitted with a Trade Height top drawer | \$567.00 | N/A |
| PS/PA-RV-FS-1 | Heavy Duty Fridge Slide - 750L x 455W x 80H (external incl. Travel Lock) | \$472.00 | \$522.00 |
| PS-RV-FS-1-SO | Heavy Duty Fridge Slide - 450L x 770W x 110H (external incl. Travel Lock) | \$472.00 | N/A |
| PS/PA-RV-FS-1.5 | Heavy Duty Fridge Slide - 750L x 530W x 80H (external incl. Travel Lock) | \$520.00 | \$570.00 |
| PS/PA-RV-FS-2 | Heavy Duty Fridge Slide - 850L x 560W x 80H (external incl. Travel Lock) | \$567.00 | \$617.00 |
| PS-RV-FS-2-SO | Heavy Duty Fridge Slide - 550L x 870W x 110H (external incl. Travel Lock) | \$567.00 | N/A |
| PS/PA-RV-FS-2.25 | Heavy Duty Fridge Slide - 950L x 560W x 80H (external incl. Travel Lock) | \$590.00 | \$640.00 |
| PS/PA-RV-FS-2.5 | Heavy Duty Fridge Slide - 1050L x 560W x 80H (external incl. Travel Lock) | \$685.00 | \$735.00 |

Travel Slide Drawers available on page 181
Inbuilt Fridge Slides N/A for alloy drawers

| VEHICLE MAKE MODEL | | MITSUBISHI | | |
|---|---|---|------------|------------|
| MITSUBISHI TRITON MN Dual Cab GL, GLX, GLS, VR (AUG 2009+) - 1400x1020 NO TUB LINER | | | | |
| PA: Premium Alloy PS: Premium Steel EL: EcoLite | | TRADE HEIGHT DRAWERS +\$100 PER DRAWER | | |
| | | PREMBLK: PREMIUM BLACK RRP +180.00 (option) | | |
| | | DESCRIPTION (PRICES INCLUDE WING KIT UNLESS OTHERWISE STATED) | PS RRP | PA RRP |
| PS/PA-050301-145127-SSL | Single Drawer & Wing Kit - Standard Height to Passenger Side 1400L x 510W x 275H | | \$1,485.00 | \$1,635.00 |
| PS/PA-050301-145127-SSR | Single Drawer & Wing Kit - Standard Height to Driver Side 1400L x 510W x 275H | | \$1,485.00 | \$1,635.00 |
| PS/PA-050301-145136-SHL | Single Drawer & Wing Kit - Trade Height to Passenger Side 1400L x 510W x 365H | | \$1,585.00 | \$1,735.00 |
| PS/PA-050301-145136-SHR | Single Drawer & Wing Kit - Trade Height to Driver Side 1400L x 510W x 365H | | \$1,585.00 | \$1,735.00 |
| EL-050301-141227-TDS | EcoLite Twin Drawer & Wing Kit - Standard Height 1400L x 1020W x 275H | | \$2,080.00 | N/A |
| PS/PA-050301-141227-TDS | Twin Drawer & Wing Kit - Standard Height 1400L x 1020W x 275H | | \$2,870.00 | \$3,170.00 |
| PS/PA-050301-141236-TDH | Twin Drawer & Wing Kit - Trade Height 1400L x 1020W x 365H | | \$3,070.00 | \$3,370.00 |
| PS/PA-050301-141230-FDC-E/D | Fridge Drawer Combo with 30L Engel/Dometic Fitkit - 1400L x 1020W x 300H **Fridge not included Liftout Hatch provided to access space behind the fridge (100mm narrower if tie downs added to top) - 583L x 431W | | \$2,690.00 | \$2,840.00 |
| PS/PA-050301-141236-FDC-EK | Fridge Drawer Combo with 40L EvaKool Fitkit - 1400L x 1020W x 365H **Fridge not included Liftout Hatch provided to access space behind the fridge (100mm narrower if tie downs added to top) - 583L x 560W | | \$2,800.00 | \$2,950.00 |
| PS/PA-050301-141236-FDC-IM | Fridge Drawer Combo with 40L Ironman Fitkit - 1400L x 1020W x 365H **Fridge not included Liftout Hatch provided to access space behind the fridge (100mm narrower if tie downs added to top) - 583L x 510W | | \$2,800.00 | \$2,950.00 |
| PS/PA-050301-141236-FDC-BM | Fridge Drawer Combo with 30L Bushman Fitkit - 1400L x 1020W x 365H **Fridge not included Liftout Hatch provided to access space behind the fridge (100mm narrower if tie downs added to top) - 583L x 431W | | \$2,800.00 | \$2,950.00 |
| PS/PA-050301-141227-1SL | Easy Access Combo 1 & Wing Kit - Small Low Platform to Passenger Side (Gap size 510W). Single Drawer O/A 1400L x 510W x 275H. Total Combo O/A 1400L x 1020W x 275H. (Suits RV-FS-1 or 3 *Not Included) | | \$2,410.00 | \$2,560.00 |
| PS/PA-050301-141227-1SR | Easy Access Combo 1 & Wing Kit - Small Low Platform to Driver Side (Gap size 510W). Single Drawer O/A 1400L x 510W x 275H. Total Combo O/A 1400L x 1020W x 275H. (Suits RV-FS-1 or 3 *Not Included) | | \$2,410.00 | \$2,560.00 |
| PS/PA-050301-141227-1LL | Easy Access Combo 1 & Wing Kit - Large Low Platform to Passenger Side (Gap size 570W). Single Drawer O/A 1400L x 450W x 275H. Total Combo O/A 1400L x 1020W x 275H. (Suits all RV-FS listed below except SO *Not Included) | | \$2,410.00 | \$2,560.00 |
| PS/PA-050301-141227-1LR | Easy Access Combo 1 & Wing Kit - Large Low Platform to Driver Side (Gap size 570W). Single Drawer O/A 1400L x 450W x 275H. Total Combo O/A 1400L x 1020W x 275H. (Suits all RV-FS listed below except SO *Not Included) | | \$2,410.00 | \$2,560.00 |
| PS/PA-050301-141227-2SL | Easy Access Combo 2 & Wing Kit - Small Low Platform to Passenger Side (Gap size 510W). Double Stacked Drawers (Standard Height Bottom Drawer O/A 1400L x 510W x 275H, Trade Height Top Drawer O/A 1100L x 510W x 365H). Total Combo O/A 1400L x 1020W x 640H. (Suits RV-FS-1 or 3 *Not Included). Optional 1100L Standard Height top drawer minus -\$100.00 | | \$3,100.00 | \$3,400.00 |
| PS/PA-050301-141227-2SR | Easy Access Combo 2 & Wing Kit - Small Low Platform to Driver Side (Gap size 510W). Double Stacked Drawers (Standard Height Bottom Drawer O/A 1400L x 510W x 275H, Trade Height Top Drawer O/A 1100L x 510W x 365H). Total Combo O/A 1400L x 1020W x 640H. (Suits RV-FS-1 or 3 *Not Included). Optional 1100L Standard Height top drawer minus -\$100.00 | | \$3,100.00 | \$3,400.00 |
| PS/PA-050301-141227-2LL | Easy Access Combo 2 & Wing Kit - Large Low Platform to Passenger Side (Gap size 570W). Double Stacked Drawers (Standard Height Bottom Drawer O/A 1400L x 450W x 275H, Trade Height Top Drawer O/A 1100L x 450W x 365H). Total Combo O/A 1400L x 1020W x 640H. (Suits all RV-FS listed below except SO *Not Included). Optional 1100L Standard Height top drawer minus -\$100.00 | | \$3,100.00 | \$3,400.00 |
| PS/PA-050301-141227-2LR | Easy Access Combo 2 & Wing Kit - Large Low Platform to Driver Side (Gap size 570W). Double Stacked Drawers (Standard Height Bottom Drawer O/A 1400L x 450W x 275H, Trade Height Top Drawer O/A 1100L x 450W x 365H). Total Combo O/A 1400L x 1020W x 640H. (Suits all RV-FS listed below except SO *Not Included). Optional 1100L Standard Height top drawer minus -\$100.00 | | \$3,100.00 | \$3,400.00 |
| RV-EAC-IFP-1400 | Easy Access Combo INFILL PANEL - covers fridge slide cavity to create a flat solid top effect (NOTE: top drawer must be removed on EAC-2 systems) | | \$224.00 | N/A |
| RV-IBFS-1300-DS | Inbuilt Fridge Slide - flush fitting 1300L (Driver Side) Premium drawers only | | \$472.00 | N/A |
| RV-IBFS-1300-PS | Inbuilt Fridge Slide - flush fitting 1300L (Passenger Side) Premium drawers only | | \$472.00 | N/A |
| RV-CS-1451-00 | Cargo Shelf single - 1400L Ventilated side panel and solid top shelf to fit FS-1 (small fridge space) Suits EAC-1 1400L x 1020W | | \$803.00 | N/A |
| RV-CS-1457-00 | Cargo Shelf single - 1400L Ventilated side panel and solid top shelf to fit FS1.5 & FS-2 (large fridge space) Suits EAC-1 1400L x 1020W | | \$803.00 | N/A |
| RV-CS-0812-00 | Cargo Shelf double - 800L Ventilated side panel and solid top shelf system. Fits EAC-2 1400L x 1020W fitted with a Trade Height top drawer | | \$567.00 | N/A |
| PS/PA-RV-FS-1 | Heavy Duty Fridge Slide - 750L x 455W x 80H (external incl. Travel Lock) | | \$472.00 | \$522.00 |
| PS-RV-FS-1-SO | Heavy Duty Fridge Slide - 450L x 770W x 110H (external incl. Travel Lock) | | \$472.00 | N/A |
| PS/PA-RV-FS-1.5 | Heavy Duty Fridge Slide - 750L x 530W x 80H (external incl. Travel Lock) | | \$520.00 | \$570.00 |
| PS/PA-RV-FS-2 | Heavy Duty Fridge Slide - 850L x 560W x 80H (external incl. Travel Lock) | | \$567.00 | \$617.00 |
| PS-RV-FS-2-SO | Heavy Duty Fridge Slide - 550L x 870W x 110H (external incl. Travel Lock) | | \$567.00 | N/A |
| PS/PA-RV-FS-2.25 | Heavy Duty Fridge Slide - 950L x 560W x 80H (external incl. Travel Lock) | | \$590.00 | \$640.00 |
| PS/PA-RV-FS-2.5 | Heavy Duty Fridge Slide - 1050L x 560W x 80H (external incl. Travel Lock) | | \$685.00 | \$735.00 |
| PS/PA-RV-FS-3 | Heavy Duty Fridge Slide - 1410L x 455W x 80H (external incl. Travel Lock) | | \$886.00 | \$961.00 |
| PS/PA-RV-FS-3.5 | Heavy Duty Fridge Slide - 1410L x 560W x 80H (external incl. Travel Lock) | | \$886.00 | \$961.00 |

Travel Slide Drawers available on page 181
Inbuilt Fridge Slides N/A for alloy drawers

| VEHICLE MAKE MODEL | | MITSUBISHI | | |
|---|--|--|---------------|--|
| MITSUBISHI TRITON MQ / MR Dual Cab GL, GLS, GLX, EXCEED (MAY 2015+) - 1400x1020 NO TUB LINER | | | | |
| PA: Premium Alloy PS: Premium Steel EL: EcoLite | | TRADE HEIGHT DRAWERS +\$100 PER DRAWER | | |
| | | PREMBLK: PREMIUM BLACK RRP +180.00 (option) | | |
| | | DESCRIPTION (PRICES INCLUDE WING KIT UNLESS OTHERWISE STATED) | | |
| | | PS RRP | PA RRP | |
| PS/PA-050401-145127-SSL | Single Drawer & Wing Kit - Standard Height to Passenger Side 1400L x 510W x 275H | \$1,485.00 | \$1,635.00 | |
| PS/PA-050401-145127-SSR | Single Drawer & Wing Kit - Standard Height to Driver Side 1400L x 510W x 275H | \$1,485.00 | \$1,635.00 | |
| PS/PA-050401-145136-SHL | Single Drawer & Wing Kit - Trade Height to Passenger Side 1400L x 510W x 365H | \$1,585.00 | \$1,735.00 | |
| PS/PA-050401-145136-SHR | Single Drawer & Wing Kit - Trade Height to Driver Side 1400L x 510W x 365H | \$1,585.00 | \$1,735.00 | |
| EL-050401-141227-TDS | EcoLite Twin Drawer & Wing Kit - Standard Height 1400L x 1020W x 275H | \$2,080.00 | N/A | |
| PS/PA-050401-141227-TDS | Twin Drawer & Wing Kit - Standard Height 1400L x 1020W x 275H | \$2,870.00 | \$3,170.00 | |
| PS/PA-050401-141236-TDH | Twin Drawer & Wing Kit - Trade Height 1400L x 1020W x 365H | \$3,070.00 | \$3,370.00 | |
| PS/PA-050401-141230-FDC-E/D | Fridge Drawer Combo with 30L Engel/Dometic Fitkit - 1400L x 1020W x 300H **Fridge not included Liftout Hatch provided to access space behind the fridge (100mm narrower if tie downs added to top) - 583L x 431W | \$2,690.00 | \$2,840.00 | |
| PS/PA-050401-141236-FDC-EK | Fridge Drawer Combo with 40L EvaKool Fitkit - 1400L x 1020W x 365H **Fridge not included Liftout Hatch provided to access space behind the fridge (100mm narrower if tie downs added to top) - 583L x 560W | \$2,800.00 | \$2,950.00 | |
| PS/PA-050401-141236-FDC-IM | Fridge Drawer Combo with 40L Ironman Fitkit - 1400L x 1020W x 365H **Fridge not included Liftout Hatch provided to access space behind the fridge (100mm narrower if tie downs added to top) - 583L x 510W | \$2,800.00 | \$2,950.00 | |
| PS/PA-050401-141236-FDC-BM | Fridge Drawer Combo with 30L Bushman Fitkit - 1400L x 1020W x 365H **Fridge not included Liftout Hatch provided to access space behind the fridge (100mm narrower if tie downs added to top) - 583L x 431W | \$2,800.00 | \$2,950.00 | |
| PS/PA-050401-141227-1SL | Easy Access Combo 1 & Wing Kit - Small Low Platform to Passenger Side (Gap size 510W). Single Drawer O/A 1400L x 510W x 275H. Total Combo O/A 1400L x 1020W x 275H. (Suits RV-FS-1 or 3 *Not Included) | \$2,410.00 | \$2,560.00 | |
| PS/PA-050401-141227-1SR | Easy Access Combo 1 & Wing Kit - Small Low Platform to Driver Side (Gap size 510W). Single Drawer O/A 1400L x 510W x 275H. Total Combo O/A 1400L x 1020W x 275H. (Suits RV-FS-1 or 3 *Not Included) | \$2,410.00 | \$2,560.00 | |
| PS/PA-050401-141227-1LL | Easy Access Combo 1 & Wing Kit - Large Low Platform to Passenger Side (Gap size 570W). Single Drawer O/A 1400L x 450W x 275H. Total Combo O/A 1400L x 1020W x 275H. (Suits all RV-FS listed below except SO *Not Included) | \$2,410.00 | \$2,560.00 | |
| PS/PA-050401-141227-1LR | Easy Access Combo 1 & Wing Kit - Large Low Platform to Driver Side (Gap size 570W). Single Drawer O/A 1400L x 450W x 275H. Total Combo O/A 1400L x 1020W x 275H. (Suits all RV-FS listed below except SO *Not Included) | \$2,410.00 | \$2,560.00 | |
| PS/PA-050401-141227-2SL | Easy Access Combo 2 & Wing Kit - Small Low Platform to Passenger Side (Gap size 510W). Double Stacked Drawers (Standard Height Bottom Drawer O/A 1400L x 510W x 275H, Trade Height Top Drawer O/A 1100L x 510W x 365H). Total Combo O/A 1400L x 1020W x 640H. (Suits RV-FS-1 or 3 *Not Included). Optional 1100L Standard Height top drawer minus -\$100.00 | \$3,100.00 | \$3,400.00 | |
| PS/PA-050401-141227-2SR | Easy Access Combo 2 & Wing Kit - Small Low Platform to Driver Side (Gap size 510W). Double Stacked Drawers (Standard Height Bottom Drawer O/A 1400L x 510W x 275H, Trade Height Top Drawer O/A 1100L x 510W x 365H). Total Combo O/A 1400L x 1020W x 640H. (Suits RV-FS-1 or 3 *Not Included). Optional 1100L Standard Height top drawer minus -\$100.00 | \$3,100.00 | \$3,400.00 | |
| PS/PA-050401-141227-2LL | Easy Access Combo 2 & Wing Kit - Large Low Platform to Passenger Side (Gap size 570W). Double Stacked Drawers (Standard Height Bottom Drawer O/A 1400L x 450W x 275H, Trade Height Top Drawer O/A 1100L x 450W x 365H). Total Combo O/A 1400L x 1020W x 640H. (Suits all RV-FS listed below except SO *Not Included). Optional 1100L Standard Height top drawer minus -\$100.00 | \$3,100.00 | \$3,400.00 | |
| PS/PA-050401-141227-2LR | Easy Access Combo 2 & Wing Kit - Large Low Platform to Driver Side (Gap size 570W). Double Stacked Drawers (Standard Height Bottom Drawer O/A 1400L x 450W x 275H, Trade Height Top Drawer O/A 1100L x 450W x 365H). Total Combo O/A 1400L x 1020W x 640H. (Suits all RV-FS listed below except SO *Not Included). Optional 1100L Standard Height top drawer minus -\$100.00 | \$3,100.00 | \$3,400.00 | |
| RV-EAC-IFP-1400 | Easy Access Combo INFILL PANEL - covers fridge slide cavity to create a flat solid top effect (NOTE: top drawer must be removed on EAC-2 systems) | \$224.00 | N/A | |
| RV-IBFS-1300-DS | Inbuilt Fridge Slide - flush fitting 1300L (Driver Side) <i>Premium drawers only</i> | \$472.00 | N/A | |
| RV-IBFS-1300-PS | Inbuilt Fridge Slide - flush fitting 1300L (Passenger Side) <i>Premium drawers only</i> | \$472.00 | N/A | |
| RV-CS-1451-00 | Cargo Shelf single - 1400L Ventilated side panel and solid top shelf to fit FS-1 (small fridge space) Suits EAC-1 1400L x 1020W | \$803.00 | N/A | |
| RV-CS-1457-00 | Cargo Shelf single - 1400L Ventilated side panel and solid top shelf to fit FS1.5 & FS-2 (large fridge space) Suits EAC-1 1400L x 1020W | \$803.00 | N/A | |
| RV-CS-0812-00 | Cargo Shelf double - 800L Ventilated side panel and solid top shelf system. Fits EAC-2 1400L x 1020W fitted with a Trade Height top drawer | \$567.00 | N/A | |
| PS/PA-RV-FS-1 | Heavy Duty Fridge Slide - 750L x 455W x 80H (external incl. Travel Lock) | \$472.00 | \$522.00 | |
| PS-RV-FS-1-SO | Heavy Duty Fridge Slide - 450L x 770W x 110H (external incl. Travel Lock) | \$472.00 | N/A | |
| PS/PA-RV-FS-1.5 | Heavy Duty Fridge Slide - 750L x 530W x 80H (external incl. Travel Lock) | \$520.00 | \$570.00 | |
| PS/PA-RV-FS-2 | Heavy Duty Fridge Slide - 850L x 560W x 80H (external incl. Travel Lock) | \$567.00 | \$617.00 | |
| PS-RV-FS-2-SO | Heavy Duty Fridge Slide - 550L x 870W x 110H (external incl. Travel Lock) | \$567.00 | N/A | |
| PS/PA-RV-FS-2.25 | Heavy Duty Fridge Slide - 950L x 560W x 80H (external incl. Travel Lock) | \$590.00 | \$640.00 | |
| PS/PA-RV-FS-2.5 | Heavy Duty Fridge Slide - 1050L x 560W x 80H (external incl. Travel Lock) | \$685.00 | \$735.00 | |
| PS/PA-RV-FS-3 | Heavy Duty Fridge Slide - 1410L x 455W x 80H (external incl. Travel Lock) | \$886.00 | \$961.00 | |
| PS/PA-RV-FS-3.5 | Heavy Duty Fridge Slide - 1410L x 560W x 80H (external incl. Travel Lock) | \$886.00 | \$961.00 | |
| Travel Slide Drawers available on page 181 Cargo Slide will not fit on top of trade height drawers Inbuilt Fridge Slides N/A for alloy drawers | | | | |

| VEHICLE MAKE MODEL | MITSUBISHI TRITON MQ / MR Dual Cab EXCEED (MAY 2015+) - 1300x1020 GENUINE TUB LINER | MITSUBISHI | |
|---|--|------------|------------|
| PA: Premium Alloy PS: Premium Steel EL: EcoLite | TRADE HEIGHT DRAWERS +\$100 PER DRAWER | | |
| | PREMBLK: PREMIUM BLACK RRP +180.00 (option) | | |
| | DESCRIPTION (PRICES INCLUDE WING KIT UNLESS OTHERWISE STATED) | PS RRP | PA RRP |
| PS/PA-050402-135127-SSL | Single Drawer & Wing Kit - Standard Height to Passenger Side 1300L x 510W x 275H | \$1,460.00 | \$1,610.00 |
| PS/PA-050402-135127-SSR | Single Drawer & Wing Kit - Standard Height to Driver Side 1300L x 510W x 275H | \$1,460.00 | \$1,610.00 |
| PS/PA-050402-135136-SHL | Single Drawer & Wing Kit - Trade Height to Passenger Side 1300L x 510W x 365H | \$1,560.00 | \$1,710.00 |
| PS/PA-050402-135136-SHR | Single Drawer & Wing Kit - Trade Height to Driver Side 1300L x 510W x 365H | \$1,560.00 | \$1,710.00 |
| EL-050402-131227-TDS | EcoLite Twin Drawer & Wing Kit - Standard Height 1300L x 1020W x 275H | \$2,020.00 | N/A |
| PS/PA-050402-131227-TDS | Twin Drawer & Wing Kit - Standard Height 1300L x 1020W x 275H | \$2,815.00 | \$3,115.00 |
| PS/PA-050402-131236-TDH | Twin Drawer & Wing Kit - Trade Height 1300L x 1020W x 365H | \$3,015.00 | \$3,315.00 |
| PS/PA-050402-131230-FDC-E/D | Fridge Drawer Combo with 30L Engel/Dometic Fitkit - 1300L x 1020W x 300H **Fridge not included Liftout Hatch provided to access space behind the fridge (100mm narrower if tie downs added to top) - 483L x 431W | \$2,635.00 | \$2,785.00 |
| PS/PA-050402-131236-FDC-EK | Fridge Drawer Combo with 40L EvaKool Fitkit - 1300L x 1020W x 365H **Fridge not included Liftout Hatch provided to access space behind the fridge (100mm narrower if tie downs added to top) - 483L x 560W | \$2,745.00 | \$2,895.00 |
| PS/PA-050402-131236-FDC-IM | Fridge Drawer Combo with 40L Ironman Fitkit - 1300L x 1020W x 365H **Fridge not included Liftout Hatch provided to access space behind the fridge (100mm narrower if tie downs added to top) - 483L x 510W | \$2,745.00 | \$2,895.00 |
| PS/PA-050402-131236-FDC-BM | Fridge Drawer Combo with 30L Bushman Fitkit - 1300L x 1020W x 365H **Fridge not included Liftout Hatch provided to access space behind the fridge (100mm narrower if tie downs added to top) - 483L x 431W | \$2,745.00 | \$2,895.00 |
| PS/PA-050402-131227-1SL | Easy Access Combo 1 & Wing Kit - Small Low Platform to Passenger Side (Gap size 510W). Single Drawer O/A 1300L x 510W x 275H. Total Combo O/A 1300L x 1020W x 275H. (Suits RV-FS-1 *Not Included) | \$2,355.00 | \$2,505.00 |
| PS/PA-050402-131227-1SR | Easy Access Combo 1 & Wing Kit - Small Low Platform to Driver Side (Gap size 510W). Single Drawer O/A 1300L x 510W x 275H. Total Combo O/A 1300L x 1020W x 275H. (Suits RV-FS-1 *Not Included) | \$2,355.00 | \$2,505.00 |
| PS/PA-050402-131227-1LL | Easy Access Combo 1 & Wing Kit - Large Low Platform to Passenger Side (Gap size 570W). Single Drawer O/A 1300L x 450W x 275H. Total Combo O/A 1300L x 1020W x 275H. (Suits all RV-FS listed below except SO *Not Included) | \$2,355.00 | \$2,505.00 |
| PS/PA-050402-131227-1LR | Easy Access Combo 1 & Wing Kit - Large Low Platform to Driver Side (Gap size 570W). Single Drawer O/A 1300L x 450W x 275H. Total Combo O/A 1300L x 1020W x 275H. (Suits all RV-FS listed below except SO *Not Included) | \$2,355.00 | \$2,505.00 |
| PS/PA-050402-131227-2SL | Easy Access Combo 2 & Wing Kit - Small Low Platform to Passenger Side (Gap size 510W). Double Stacked Drawers (Standard Height Bottom Drawer O/A 1300L x 510W x 275H, Trade Height Top Drawer O/A 1000L x 510W x 365H). Total Combo O/A 1300L x 1020W x 640H. (Suits RV-FS-1 *Not Included). Optional 1000L Standard Height top drawer minus -\$100.00 | \$3,045.00 | \$3,345.00 |
| PS/PA-050402-131227-2SR | Easy Access Combo 2 & Wing Kit - Small Low Platform to Driver Side (Gap size 510W). Double Stacked Drawers (Standard Height Bottom Drawer O/A 1300L x 510W x 275H, Trade Height Top Drawer O/A 1000L x 510W x 365H). Total Combo O/A 1300L x 1020W x 640H. (Suits RV-FS-1 *Not Included). Optional 1000L Standard Height top drawer minus -\$100.00 | \$3,045.00 | \$3,345.00 |
| PS/PA-050402-131227-2LL | Easy Access Combo 2 & Wing Kit - Large Low Platform to Passenger Side (Gap size 570W). Double Stacked Drawers (Standard Height Bottom Drawer O/A 1300L x 450W x 275H, Trade Height Top Drawer O/A 1000L x 450W x 365H). Total Combo O/A 1300L x 1020W x 640H. (Suits all RV-FS listed below except SO *Not Included). Optional 1000L Standard Height top drawer minus -\$100.00 | \$3,045.00 | \$3,345.00 |
| PS/PA-050402-131227-2LR | Easy Access Combo 2 & Wing Kit - Large Low Platform to Driver Side (Gap size 570W). Double Stacked Drawers (Standard Height Bottom Drawer O/A 1300L x 450W x 275H, Trade Height Top Drawer O/A 1000L x 450W x 365H). Total Combo O/A 1300L x 1020W x 640H. (Suits all RV-FS listed below except SO *Not Included). Optional 1000L Standard Height top drawer minus -\$100.00 | \$3,045.00 | \$3,345.00 |
| RV-EAC-IFP-1300 | Easy Access Combo INFILL PANEL - covers fridge slide cavity to create a flat solid top effect (NOTE: top drawer must be removed on EAC-2 systems) | \$224.00 | N/A |
| RV-IBFS-1300-DS | Inbuilt Fridge Slide - flush fitting 1300L (Driver Side) <i>Premium drawers only</i> | \$472.00 | N/A |
| RV-IBFS-1300-PS | Inbuilt Fridge Slide - flush fitting 1300L (Passenger Side) <i>Premium drawers only</i> | \$472.00 | N/A |
| RV-CS-0848-00 | Cargo Shelf single - 800L Ventilated side panel and solid top shelf to fit FS-1 (small fridge space) Suits EAC-1 1300L x 970W | \$520.00 | N/A |
| RV-CS-0857-00 | Cargo Shelf single - 800L Ventilated side panel and solid top shelf to fit FS-1.5 & FS-2 (large fridge space) Suits EAC-1 1300L x 970W | \$520.00 | N/A |
| RV-CS-0897-00 | Cargo Shelf double - 800L Ventilated side panel and solid top shelf system. Fits EAC-2 1300L x 970W fitted with a Trade Height top drawer | \$567.00 | N/A |
| PS/PA-RV-FS-1 | Heavy Duty Fridge Slide - 750L x 455W x 80H (external incl. Travel Lock) | \$472.00 | \$522.00 |
| PS-RV-FS-1-SO | Heavy Duty Fridge Slide - 450L x 770W x 110H (external incl. Travel Lock) | \$472.00 | N/A |
| PS/PA-RV-FS-1.5 | Heavy Duty Fridge Slide - 750L x 530W x 80H (external incl. Travel Lock) | \$520.00 | \$570.00 |
| PS/PA-RV-FS-2 | Heavy Duty Fridge Slide - 850L x 560W x 80H (external incl. Travel Lock) | \$567.00 | \$617.00 |
| PS-RV-FS-2-SO | Heavy Duty Fridge Slide - 550L x 870W x 110H (external incl. Travel Lock) | \$567.00 | N/A |
| <p>Travel Slide Drawers available on page 181</p> <p>Cargo Slide not available on top of trade height drawers</p> <p>Inbuilt Fridge Slides N/A for alloy drawers</p> | | | |

| VEHICLE MAKE MODEL | MITSUBISHI TRITON MV DUAL CAB GL, GLX, GLS, GSR (2024+) - 1450x1020 NO TUB LINER MITSUBISHI | | |
|---|---|------------|------------|
| PA: Premium Alloy PS: Premium Steel EL: EcoLite | TRADE HEIGHT DRAWERS +\$100 PER DRAWER | | |
| | PREMLBK: PREMIUM BLACK RRP +180.00 (option) | | |
| | DESCRIPTION (PRICES INCLUDE WING KIT UNLESS OTHERWISE STATED) | PS RRP | PA RRP |
| PS/PA-050501-455127-SSL | Single Drawer & Wing Kit - Standard Height to Passenger Side 1450L x 510W x 275H | \$1,515.00 | \$1,665.00 |
| PS/PA-050501-455127-SSR | Single Drawer & Wing Kit - Standard Height to Driver Side 1450L x 510W x 275H | \$1,515.00 | \$1,665.00 |
| PS/PA-050501-455136-SHL | Single Drawer & Wing Kit - Trade Height to Passenger Side 1450L x 510W x 365H | \$1,615.00 | \$1,765.00 |
| PS/PA-050501-455136-SHR | Single Drawer & Wing Kit - Trade Height to Driver Side 1450L x 510W x 365H | \$1,615.00 | \$1,765.00 |
| EL-050501-451227-TDS | EcoLite Twin Drawer & Wing Kit - Standard Height 1450L x 1020W x 275H | \$2,110.00 | N/A |
| PS/PA-050501-451227-TDS | Twin Drawer & Wing Kit - Standard Height 1450L x 1020W x 275H | \$2,925.00 | \$3,225.00 |
| PS-050501-451236-TDH | Twin Drawer & Wing Kit - Trade Height 1450L x 1020W x 365H | \$3,125.00 | N/A |
| PS/PA-050501-451230-FDC-E/D | Fridge Drawer Combo with 30L Engel/Dometic Fitkit - 1450L x 1020W x 300H **Fridge not included Liftout Hatch provided to access space behind the fridge (100mm narrower if tie downs added to top) - 633L x 431W | \$2,690.00 | \$2,840.00 |
| PS/PA-050501-451236-FDC-EK | Fridge Drawer Combo with 40L EvaKool Fitkit - 1450L x 1020W x 365H **Fridge not included Liftout Hatch provided to access space behind the fridge (100mm narrower if tie downs added to top) - 633L x 560W | \$2,800.00 | \$2,950.00 |
| PS/PA-050501-451236-FDC-IM | Fridge Drawer Combo with 40L Ironman Fitkit - 1450L x 1020W x 365H **Fridge not included Liftout Hatch provided to access space behind the fridge (100mm narrower if tie downs added to top) - 633L x 510W | \$2,800.00 | \$2,950.00 |
| PS/PA-050501-451236-FDC-BM | Fridge Drawer Combo with 30L Bushman Fitkit - 1450L x 1020W x 365H **Fridge not included Liftout Hatch provided to access space behind the fridge (100mm narrower if tie downs added to top) - 633L x 431W | \$2,800.00 | \$2,950.00 |
| PS/PA-050501-451227-1SL | Easy Access Combo 1 & Wing Kit - Small Low Platform to Passenger Side (Gap size 510W). Single Drawer O/A 1450L x 510W x 275H. Total Combo O/A 1450L x 1020W x 275H. (Suits RV-FS-1 or 3*Not Included) | \$2,435.00 | \$2,585.00 |
| PS/PA-050501-451227-1SR | Easy Access Combo 1 & Wing Kit - Small Low Platform to Driver Side (Gap size 510W). Single Drawer O/A 1450L x 510W x 275H. Total Combo O/A 1450L x 1020W x 275H. (Suits RV-FS-1 or 3*Not Included) | \$2,435.00 | \$2,585.00 |
| PS/PA-050501-451227-1LL | Easy Access Combo 1 & Wing Kit - Large Low Platform to Passenger Side (Gap size 570W). Single Drawer O/A 1450L x 450W x 275H. Total Combo O/A 1450L x 1020W x 275H. (Suits all RV-FS listed below except SO *Not Included) | \$2,435.00 | \$2,585.00 |
| PS/PA-050501-451227-1LR | Easy Access Combo 1 & Wing Kit - Large Low Platform to Driver Side (Gap size 570W). Single Drawer O/A 1450L x 450W x 275H. Total Combo O/A 1450L x 1020W x 275H. (Suits all RV-FS listed below except SO *Not Included) | \$2,435.00 | \$2,585.00 |
| PS/PA-050501-451227-2SL | Easy Access Combo 2 & Wing Kit - Small Low Platform to Passenger Side (Gap size 510W). Double Stacked Drawers (Standard Height Bottom Drawer O/A 1450L x 510W x 275H, Trade Height Top Drawer O/A 1100L x 510W x 365H). Total Combo O/A 1450L x 1020W x 640H. (Suits RV-FS-1 or 3*Not Included). Optional 1100L Standard Height top drawer minus -\$100.00 | \$3,155.00 | \$3,455.00 |
| PS/PA-050501-451227-2SR | Easy Access Combo 2 & Wing Kit - Small Low Platform to Driver Side (Gap size 510W). Double Stacked Drawers (Standard Height Bottom Drawer O/A 1450L x 510W x 275H, Trade Height Top Drawer O/A 1100L x 510W x 365H). Total Combo O/A 1450L x 1020W x 640H. (Suits RV-FS-1 or 3*Not Included). Optional 1100L Standard Height top drawer minus -\$100.00 | \$3,155.00 | \$3,455.00 |
| PS/PA-050501-451227-2LL | Easy Access Combo 2 & Wing Kit - Large Low Platform to Passenger Side (Gap size 570W). Double Stacked Drawers (Standard Height Bottom Drawer O/A 1450L x 450W x 275H, Trade Height Top Drawer O/A 1100L x 450W x 365H). Total Combo O/A 1450L x 1020W x 640H. (Suits all RV-FS listed below except SO *Not Included). Optional 1100L Standard Height top drawer minus -\$100.00 | \$3,155.00 | \$3,455.00 |
| PS/PA-050501-451227-2LR | Easy Access Combo 2 & Wing Kit - Large Low Platform to Driver Side (Gap size 570W). Double Stacked Drawers (Standard Height Bottom Drawer O/A 1450L x 450W x 275H, Trade Height Top Drawer O/A 1100L x 450W x 365H). Total Combo O/A 1450L x 1020W x 640H. (Suits all RV-FS listed below except SO *Not Included). Optional 1100L Standard Height top drawer minus -\$100.00 | \$3,155.00 | \$3,455.00 |
| RV-EAC-IFP-1450 | Easy Access Combo INFILL PANEL - covers fridge slide cavity to create a flat solid top effect (NOTE: top drawer must be removed on EAC-2 systems) | \$224.00 | N/A |
| RV-CS-1451-00 | Cargo Shelf single - 1400L Ventilated side panel and solid top shelf to fit FS-1 (small fridge space) Suits EAC-1 1400L x 1020W | \$803.00 | N/A |
| RV-CS-1457-00 | Cargo Shelf single - 1400L Ventilated side panel and solid top shelf to fit FS-1.5 & FS-2 (large fridge space) Suits EAC-1 x 1400L x 1020W | \$803.00 | N/A |
| RV-CS-0812-00 | Cargo Shelf double - 800L Ventilated side panel and solid top shelf system. Fits EAC-2 1400L x 1020W fitted with a Trade Height top drawer. | \$567.00 | N/A |
| RV-IBFS-1300-DS | Inbuilt Fridge Slide - flush fitting 1300L (Driver Side) Premium drawers only | \$472.00 | N/A |
| RV-IBFS-1300-PS | Inbuilt Fridge Slide - flush fitting 1300L (Passenger Side) Premium drawers only | \$472.00 | N/A |
| PS/PA-RV-FS-1 | Heavy Duty Fridge Slide - 750L x 455W x 80H (external incl. Travel Lock) | \$472.00 | \$522.00 |
| PS-RV-FS-1-SO | Heavy Duty Fridge Slide - 450L x 770W x 110H (external incl. Travel Lock) | \$472.00 | N/A |
| PS/PA-RV-FS-1.5 | Heavy Duty Fridge Slide - 750L x 530W x 80H (external incl. Travel Lock) | \$520.00 | \$570.00 |
| PS/PA-RV-FS-2 | Heavy Duty Fridge Slide - 850L x 560W x 80H (external incl. Travel Lock) | \$567.00 | \$617.00 |
| PS-RV-FS-2-SO | Heavy Duty Fridge Slide - 550L x 870W x 110H (external incl. Travel Lock) | \$567.00 | N/A |
| PS/PA-RV-FS-2.25 | Heavy Duty Fridge Slide - 950L x 560W x 80H (external incl. Travel Lock) | \$590.00 | \$640.00 |
| PS/PA-RV-FS-2.5 | Heavy Duty Fridge Slide - 1050L x 560W x 80H (external incl. Travel Lock) | \$685.00 | \$735.00 |
| PS/PA-RV-FS-3 | Heavy Duty Fridge Slide - 1410L x 455W x 80H (external incl. Travel Lock) | \$886.00 | \$961.00 |
| PS/PA-RV-FS-3.5 | Heavy Duty Fridge Slide - 1410L x 560W x 80H (external incl. Travel Lock) | \$886.00 | \$961.00 |

Travel Slide Drawers available on page 181
 Inbuilt Fridge Slides N/A for alloy drawers

| VEHICLE MAKE MODEL | MITSUBISHI TRITON MV DUAL CAB GL, GLX, GLS, GSR (2024+) - 1400x1020 WITH MITSUBISHI GENUINE TUB LINER MITSUBISHI | | |
|---|--|------------|------------|
| PA: Premium Alloy PS: Premium Steel EL: EcoLite | TRADE HEIGHT DRAWERS +\$100 PER DRAWER | | |
| | PREMLBK: PREMIUM BLACK RRP +180.00 (option) | | |
| | DESCRIPTION (PRICES INCLUDE WING KIT UNLESS OTHERWISE STATED) | PS RRP | PA RRP |
| PS/PA-050502-145127-SSL | Single Drawer & Wing Kit - Standard Height to Passenger Side 1400L x 510W x 275H | \$1,485.00 | \$1,635.00 |
| PS/PA-050502-145127-SSR | Single Drawer & Wing Kit - Standard Height to Driver Side 1400L x 510W x 275H | \$1,485.00 | \$1,635.00 |
| PS/PA-050502-145136-SHL | Single Drawer & Wing Kit - Trade Height to Passenger Side 1400L x 510W x 365H | \$1,585.00 | \$1,735.00 |
| PS/PA-050502-145136-SHR | Single Drawer & Wing Kit - Trade Height to Driver Side 1400L x 510W x 365H | \$1,585.00 | \$1,735.00 |
| EL-050502-141227-TDS | EcoLite Twin Drawer & Wing Kit - Standard Height 1400L x 1020W x 275H | \$2,080.00 | N/A |
| PS/PA-050502-141227-TDS | Twin Drawer & Wing Kit - Standard Height 1400L x 1020W x 275H | \$2,870.00 | \$3,170.00 |
| PS/PA-050502-141236-TDH | Twin Drawer & Wing Kit - Trade Height 1400L x 1020W x 365H | \$3,070.00 | \$3,370.00 |
| PS/PA-050502-141230-FDC-E/D | Fridge Drawer Combo with 30L Engel/Dometic Fitkit - 1400L x 1020W x 300H **Fridge not included Liftout Hatch provided to access space behind the fridge (100mm narrower if tie downs added to top) - 583L x 431W | \$2,690.00 | \$2,840.00 |
| PS/PA-050502-141236-FDC-EK | Fridge Drawer Combo with 40L EvaKool Fitkit - 1400L x 1020W x 365H **Fridge not included Liftout Hatch provided to access space behind the fridge (100mm narrower if tie downs added to top) - 583L x 560W | \$2,800.00 | \$2,950.00 |
| PS/PA-050502-141236-FDC-IM | Fridge Drawer Combo with 40L Ironman Fitkit - 1400L x 1020W x 365H **Fridge not included Liftout Hatch provided to access space behind the fridge (100mm narrower if tie downs added to top) - 583L x 510W | \$2,800.00 | \$2,950.00 |
| PS/PA-050502-141236-FDC-BM | Fridge Drawer Combo with 30L Bushman Fitkit - 1400L x 1020W x 365H **Fridge not included Liftout Hatch provided to access space behind the fridge (100mm narrower if tie downs added to top) - 583L x 431W | \$2,800.00 | \$2,950.00 |
| PS/PA-050502-141227-1SL | Easy Access Combo 1 & Wing Kit - Small Low Platform to Passenger Side (Gap size 510W). Single Drawer O/A 1400L x 510W x 275H. Total Combo O/A 1400L x 1020W x 275H. (Suits RV-FS-1 or 3 *Not Included) | \$2,410.00 | \$2,560.00 |
| PS/PA-050502-141227-1SR | Easy Access Combo 1 & Wing Kit - Small Low Platform to Driver Side (Gap size 510W). Single Drawer O/A 1400L x 510W x 275H. Total Combo O/A 1400L x 1020W x 275H. (Suits RV-FS-1 or 3 *Not Included) | \$2,410.00 | \$2,560.00 |
| PS/PA-050502-141227-1LL | Easy Access Combo 1 & Wing Kit - Large Low Platform to Passenger Side (Gap size 570W). Single Drawer O/A 1400L x 450W x 275H. Total Combo O/A 1400L x 1020W x 275H. (Suits all RV-FS listed below except SO *Not Included) | \$2,410.00 | \$2,560.00 |
| PS/PA-050502-141227-1LR | Easy Access Combo 1 & Wing Kit - Large Low Platform to Driver Side (Gap size 570W). Single Drawer O/A 1400L x 450W x 275H. Total Combo O/A 1400L x 1020W x 275H. (Suits all RV-FS listed below except SO *Not Included) | \$2,410.00 | \$2,560.00 |
| PS/PA-050502-141227-2SL | Easy Access Combo 2 & Wing Kit - Small Low Platform to Passenger Side (Gap size 510W). Double Stacked Drawers (Standard Height Bottom Drawer O/A 1400L x 510W x 275H, Trade Height Top Drawer O/A 1100L x 510W x 365H). Total Combo O/A 1400L x 1020W x 640H. (Suits RV-FS-1 or 3 *Not Included). Optional 1100L Standard Height top drawer minus -\$100.00 | \$3,100.00 | \$3,400.00 |
| PS/PA-050502-141227-2SR | Easy Access Combo 2 & Wing Kit - Small Low Platform to Driver Side (Gap size 510W). Double Stacked Drawers (Standard Height Bottom Drawer O/A 1400L x 510W x 275H, Trade Height Top Drawer O/A 1100L x 510W x 365H). Total Combo O/A 1400L x 1020W x 640H. (Suits RV-FS-1 or 3 *Not Included). Optional 1100L Standard Height top drawer minus -\$100.00 | \$3,100.00 | \$3,400.00 |
| PS/PA-050502-141227-2LL | Easy Access Combo 2 & Wing Kit - Large Low Platform to Passenger Side (Gap size 570W). Double Stacked Drawers (Standard Height Bottom Drawer O/A 1400L x 450W x 275H, Trade Height Top Drawer O/A 1100L x 450W x 365H). Total Combo O/A 1400L x 1020W x 640H. (Suits all RV-FS listed below except SO *Not Included). Optional 1100L Standard Height top drawer minus -\$100.00 | \$3,100.00 | \$3,400.00 |
| PS/PA-050502-141227-2LR | Easy Access Combo 2 & Wing Kit - Large Low Platform to Driver Side (Gap size 570W). Double Stacked Drawers (Standard Height Bottom Drawer O/A 1400L x 450W x 275H, Trade Height Top Drawer O/A 1100L x 450W x 365H). Total Combo O/A 1400L x 1020W x 640H. (Suits all RV-FS listed below except SO *Not Included). Optional 1100L Standard Height top drawer minus -\$100.00 | \$3,100.00 | \$3,400.00 |
| RV-EAC-IFP-1400 | Easy Access Combo INFILL PANEL - covers fridge slide cavity to create a flat solid top effect (NOTE: top drawer must be removed on EAC-2 systems) | \$224.00 | N/A |
| RV-CS-1451-00 | Cargo Shelf single - 1400L Ventilated side panel and solid top shelf to fit FS-1 (small fridge space) Suits EAC-1 1400L x 1020W | \$803.00 | N/A |
| RV-CS-1457-00 | Cargo Shelf single - 1400L Ventilated side panel and solid top shelf to fit FS-1.5 & FS-2 (large fridge space) Suits EAC-1 x 1400L x 1020W | \$803.00 | N/A |
| RV-CS-0812-00 | Cargo Shelf double - 800L Ventilated side panel and solid top shelf system. Fits EAC-2 1400L x 1020W fitted with a Trade Height top drawer | \$567.00 | N/A |
| RV-IBFS-1300-DS | Inbuilt Fridge Slide - flush fitting 1300L (Driver Side) <i>Premium drawers only</i> | \$472.00 | N/A |
| RV-IBFS-1300-PS | Inbuilt Fridge Slide - flush fitting 1300L (Passenger Side) <i>Premium drawers only</i> | \$472.00 | N/A |
| PS/PA-RV-FS-1 | Heavy Duty Fridge Slide - 750L x 455W x 80H (external incl. Travel Lock) | \$472.00 | \$522.00 |
| PS-RV-FS-1-SO | Heavy Duty Fridge Slide - 450L x 770W x 110H (external incl. Travel Lock) | \$472.00 | N/A |
| PS/PA-RV-FS-1.5 | Heavy Duty Fridge Slide - 750L x 530W x 80H (external incl. Travel Lock) | \$520.00 | \$570.00 |
| PS/PA-RV-FS-2 | Heavy Duty Fridge Slide - 850L x 560W x 80H (external incl. Travel Lock) | \$567.00 | \$617.00 |
| PS-RV-FS-2-SO | Heavy Duty Fridge Slide - 550L x 870W x 110H (external incl. Travel Lock) | \$567.00 | N/A |
| PS/PA-RV-FS-2.25 | Heavy Duty Fridge Slide - 950L x 560W x 80H (external incl. Travel Lock) | \$590.00 | \$640.00 |
| PS/PA-RV-FS-2.5 | Heavy Duty Fridge Slide - 1050L x 560W x 80H (external incl. Travel Lock) | \$685.00 | \$735.00 |
| PS/PA-RV-FS-3 | Heavy Duty Fridge Slide - 1410L x 455W x 80H (external incl. Travel Lock) | \$886.00 | \$961.00 |
| PS/PA-RV-FS-3.5 | Heavy Duty Fridge Slide - 1410L x 560W x 80H (external incl. Travel Lock) | \$886.00 | \$961.00 |

Travel Slide Drawers available on page 181
 Inbuilt Fridge Slides N/A for alloy drawers

| VEHICLE MAKE MODEL | MITSUBISHI PAJERO NM / NP / NS / NT / NW / NX GL, GLX, GLS, VRX, EXCEED (2000-2005) GL, GLX, GLS, VRX (2006+) - 800x970 NO SUBWOOFER | | |
|--|---|------------|------------|
| PA: Premium Alloy PS: Premium Steel EL: EcoLite | TRADE HEIGHT DRAWERS +\$100 PER DRAWER | | |
| | PREMBLK: PREMIUM BLACK RRP +180.00 (option) | | |
| | DESCRIPTION (PRICES INCLUDE WING KIT UNLESS OTHERWISE STATED) | PS RRP | PA RRP |
| PS/PA-051001-084827-SSL | Single Drawer & Wing Kit - Standard Height to Passenger Side 800L x 485W x 275H | \$1,320.00 | \$1,470.00 |
| PS/PA-051001-084827-SSR | Single Drawer & Wing Kit - Standard Height to Driver Side 800L x 485W x 275H | \$1,320.00 | \$1,470.00 |
| EL-051001-089727-TDS | EcoLite Twin Drawer & Wing Kit - Standard Height 800L x 970W x 275H | \$1,835.00 | N/A |
| PS/PA-051001-089727-TDS | Twin Drawer & Wing Kit - Standard Height 800L x 970W x 275H | \$2,540.00 | \$2,840.00 |
| PS/PA-051001-089730-FDC-E/D | Fridge Drawer Combo with 30L Engel/Dometic Fitkit - 800L x 970W x 300H **Fridge not included NO LIFTOUT HATCH | \$2,525.00 | \$2,675.00 |
| PA-051001-089730-FDS-E/D | Engel/Dometic Fridge Drawer Stacker with Engel/Dometic Fitkit - 800L x 970W x 300H **Fridge not included NO LIFTOUT HATCH | N/A | \$3,511.00 |
| PS/PA-051001-089727-1SL | Easy Access Combo 1 & Wing Kit - Small Low Platform to Passenger Side (Gap size 485W). Single Drawer O/A 800L x 485W x 275H. Total Combo O/A 800L x 970W x 275H. (Suits RV-FS-1 *Not Included) (Cargo Shelf Not Suitable) | \$2,080.00 | \$2,230.00 |
| PS/PA-051001-089727-1SR | Easy Access Combo 1 & Wing Kit - Small Low Platform to Driver Side (Gap size 485W). Single Drawer O/A 800L x 485W x 275H. Total Combo O/A 800L x 970W x 275H. (Suits RV-FS-1 *Not Included) (Cargo Shelf Not Suitable) | \$2,080.00 | \$2,230.00 |
| PS/PA-051001-089727-1LL | Easy Access Combo 1 & Wing Kit - Large Low Platform to Passenger Side (Gap size 570W). Single Drawer O/A 800L x 400W x 275H. Total Combo O/A 800L x 970W x 275H. (Suits all RV-FS listed below except SO *Not Included) (Cargo Shelf Not Suitable) | \$2,080.00 | \$2,230.00 |
| PS/PA-051001-089727-1LR | Easy Access Combo 1 & Wing Kit - Large Low Platform to Driver Side (Gap size 570W). Single Drawer O/A 800L x 400W x 275H. Total Combo O/A 800L x 970W x 275H. (Suits all RV-FS listed below except SO *Not Included) (Cargo Shelf Not Suitable) | \$2,080.00 | \$2,230.00 |
| RV-EAC-IFP-800 | Easy Access Combo INFILL PANEL - covers fridge slide cavity to create a flat solid top effect (NOTE: top drawer must be removed on EAC-2 systems) | \$164.00 | N/A |
| RV-IBFS-800-DS | Inbuilt Fridge Slide - flush fitting 800L (Driver Side) <i>Premium drawers only</i> | \$413.00 | \$413.00 |
| RV-IBFS-800-PS | Inbuilt Fridge Slide - flush fitting 800L (Passenger Side) <i>Premium drawers only</i> | \$413.00 | \$413.00 |
| PS/PA-RV-FS-1 | Heavy Duty Fridge Slide - 750L x 455W x 80H (external incl. Travel Lock) | \$472.00 | \$522.00 |
| PS-RV-FS-1-SO | Heavy Duty Fridge Slide - 450L x 770W x 110H (external incl. Travel Lock) | \$472.00 | N/A |
| PS/PA-RV-FS-1.5 | Heavy Duty Fridge Slide - 750L x 530W x 80H (external incl. Travel Lock) | \$520.00 | \$570.00 |
| PS-RV-FS-2-SO | Heavy Duty Fridge Slide - 550L x 870W x 110H (external incl. Travel Lock) | \$567.00 | N/A |
| RV-051001-HCB | Rear Cargo Barrier - Half height for fitment to RV drawer system, ADR Compliant | \$685.00 | N/A |
| RV-051001-TSC | Rear Top Shelf & Dividing Barrier Combination - For fitment to RV cargo barrier & drawer system **Standard Height Only | \$704.00 | N/A |
| No Trade Height Option or Cargo Shelf Available EvaKool and Ironman Fridge Drawer Combo not available Travel Slide Drawers not available | | | |

| VEHICLE MAKE MODEL | MITSUBISHI PAJERO NS / NT / NW / NX GL, GLX, GLS, VRX, EXCEED, PLATINIUM (2006 +) - 800x970 WITH REAR SUBWOOFER | | | MITSUBISHI |
|---|---|------------|------------|------------|
| PA: Premium Alloy PS: Premium Steel EL: EcoLite | TRADE HEIGHT DRAWERS +\$100 PER DRAWER | | | |
| | PREMBLK: PREMIUM BLACK RRP +180.00 (option) | | | |
| | DESCRIPTION (PRICES INCLUDE WING KIT UNLESS OTHERWISE STATED) | PS RRP | PA RRP | |
| PS/PA-051003-084827-SSL | Single Drawer & Wing Kit - Standard Height to Passenger Side 800L x 485W x 275H | \$1,320.00 | \$1,470.00 | |
| PS/PA-051003-084827-SSR | Single Drawer & Wing Kit - Standard Height to Driver Side 800L x 485W x 275H | \$1,320.00 | \$1,470.00 | |
| EL-051003-089727-TDS | EcoLite Twin Drawer & Wing Kit - Standard Height 800L x 970W x 275H | \$1,835.00 | N/A | |
| PS/PA-051003-089727-TDS | Twin Drawer & Wing Kit - Standard Height 800L x 970W x 275H | \$2,540.00 | \$2,840.00 | |
| PS/PA-051003-089730-FDC-E/D | Fridge Drawer Combo with 30L Engel/Dometic Fitkit - 800L x 970W x 300H <i>**Fridge not included</i> NO LIFTOUT HATCH | \$2,525.00 | \$2,675.00 | |
| PA-051003-089730-FDS-E/D | Engel/Dometic Fridge Drawer Stacker with Engel/Dometic Fitkit - 800L x 970W x 300H <i>**Fridge not included</i> NO LIFTOUT HATCH | N/A | \$3,511.00 | |
| PS/PA-051003-089727-1SL | Easy Access Combo 1 & Wing Kit - Small Low Platform to Passenger Side (Gap size 485W). Single Drawer O/A 800L x 485W x 275H. Total Combo O/A 800L x 970W x 275H. (Suits RV-FS-1 *Not Included) (Cargo Shelf Not Suitable) | \$2,080.00 | \$2,230.00 | |
| PS/PA-051003-089727-1SR | Easy Access Combo 1 & Wing Kit - Small Low Platform to Driver Side (Gap size 485W). Single Drawer O/A 800L x 485W x 275H. Total Combo O/A 800L x 970W x 275H. (Suits RV-FS-1 *Not Included) (Cargo Shelf Not Suitable) | \$2,080.00 | \$2,230.00 | |
| PS/PA-051003-089727-1LL | Easy Access Combo 1 & Wing Kit - Large Low Platform to Passenger Side (Gap size 570W). Single Drawer O/A 800L x 400W x 275H. Total Combo O/A 800L x 970W x 275H. (Suits all RV-FS listed below except SO *Not Included) (Cargo Shelf Not Suitable) | \$2,080.00 | \$2,230.00 | |
| PS/PA-051003-089727-1LR | Easy Access Combo 1 & Wing Kit - Large Low Platform to Driver Side (Gap size 570W). Single Drawer O/A 800L x 400W x 275H. Total Combo O/A 800L x 970W x 275H. (Suits all RV-FS listed below except SO *Not Included) (Cargo Shelf Not Suitable) | \$2,080.00 | \$2,230.00 | |
| RV-EAC-IFP-800 | Easy Access Combo INFILL PANEL - covers fridge slide cavity to create a flat solid top effect (NOTE: top drawer must be removed on EAC-2 systems) | \$164.00 | N/A | |
| RV-IBFS-800-DS | Inbuilt Fridge Slide - flush fitting 800L (Driver Side) <i>Premium drawers only</i> | \$413.00 | \$413.00 | |
| RV-IBFS-800-PS | Inbuilt Fridge Slide - flush fitting 800L (Passenger Side) <i>Premium drawers only</i> | \$413.00 | \$413.00 | |
| PS/PA-RV-FS-1 | Heavy Duty Fridge Slide - 750L x 455W x 80H (external incl. Travel Lock) | \$472.00 | \$522.00 | |
| PS-RV-FS-1-SO | Heavy Duty Fridge Slide - 450L x 770W x 110H (external incl. Travel Lock) | \$472.00 | N/A | |
| PS/PA-RV-FS-1.5 | Heavy Duty Fridge Slide - 750L x 530W x 80H (external incl. Travel Lock) | \$520.00 | \$570.00 | |
| PS-RV-FS-2-SO | Heavy Duty Fridge Slide - 550L x 870W x 110H (external incl. Travel Lock) | \$567.00 | N/A | |
| RV-051003-HCB | Rear Cargo Barrier - Half height for fitment to RV drawer system, ADR Compliant | \$685.00 | N/A | |
| RV-051003-TSC | Rear Top Shelf & Dividing Barrier Combination - For fitment to RV cargo barrier & drawer system <i>**Standard Height Only</i> | \$704.00 | N/A | |
| No Trade Height Option or Cargo Shelf Available EvaKool Fridge Drawer Combo not available Travel Slide Drawers not available | | | | |

| VEHICLE MAKE MODEL | | NISSAN | | |
|--|---|---------------|------------|--|
| NISSAN GQ PATROL - LWB DX, ST, TI (1988-1997) 1000x1020 / 950x1020 | | NISSAN | | |
| PA: Premium Alloy PS: Premium Steel EL: EcoLite | TRADE HEIGHT DRAWERS +\$100 PER DRAWER | | | |
| | PREMLBK: PREMIUM BLACK RRP +180.00 (option) | | | |
| | DESCRIPTION (PRICES INCLUDE WING KIT UNLESS OTHERWISE STATED) | PS RRP | PA RRP | |
| PS/PA-010101-105127-SSL | Single Drawer & Wing Kit - Standard Height to Passenger Side 1000L x 510W x 275H | \$1,375.00 | \$1,525.00 | |
| PS/PA-010101-105127-SSR | Single Drawer & Wing Kit - Standard Height to Driver Side 1000L x 510W x 275H | \$1,375.00 | \$1,525.00 | |
| EL-010101-101227-TDS | EcoLite Twin Drawer & Wing Kit - Standard Height 1000L x 1020W x 275H | \$1,960.00 | N/A | |
| PS/PA-010101-101227-TDS | Twin Drawer & Wing Kit - Standard Height 1000L x 1020W x 275H | \$2,650.00 | \$2,950.00 | |
| PS/PA-010101-951236-TDH | Twin Drawer & Wing Kit - Trade Height 950L x 1020W x 365H | \$2,815.00 | \$3,115.00 | |
| PS/PA-010101-101230-FDC-E/D | Fridge Drawer Combo with 30L Engel/Dometic Fitkit - 1000L x 1020W x 300H **Fridge not included Liftout Hatch provided to access space behind the fridge (100mm narrower if tie downs added to top) - 183L x 431W | \$2,635.00 | \$2,785.00 | |
| PS/PA-010101-951236-FDC-EK | Fridge Drawer Combo with 40L EvaKool Fitkit - 950L x 1020W x 365H **Fridge not included Liftout Hatch provided to access space behind the fridge (100mm narrower if tie downs added to top) - 133L x 560W | \$2,745.00 | \$2,895.00 | |
| PS/PA-010101-951236-FDC-IM | Fridge Drawer Combo with 40L Ironman Fitkit - 950L x 1020W x 365H **Fridge not included Liftout Hatch provided to access space behind the fridge (100mm narrower if tie downs added to top) - 133L x 510W | \$2,745.00 | \$2,895.00 | |
| PS/PA-010101-951236-FDC-BM | Fridge Drawer Combo with 30L Bushman Fitkit - 950L x 1020W x 365H **Fridge not included Liftout Hatch provided to access space behind the fridge (100mm narrower if tie downs added to top) - 133L x 431W | \$2,745.00 | \$2,895.00 | |
| PA-010101-101230-FDS-E/D | Engel/Dometic Fridge Drawer Stacker with Engel/Dometic Fitkit - 1000L x 1020W x 300H **Fridge not included Liftout Hatch provided to access space behind the fridge (100mm narrower if tie downs added to top) - 183L x 431W | N/A | \$3,621.00 | |
| PA-010101-951236-FDS-EK | EvaKool Fridge Drawer Stacker with EvaKool Fitkit - 950L x 1020W x 365H **Fridge not included Liftout Hatch provided to access space behind the fridge (100mm narrower if tie downs added to top) - 133L x 560W | N/A | \$3,731.00 | |
| PA-010101-951236-FDS-BM | Bushman Fridge Drawer Stacker with Bushman Fitkit - 950L x 1020W x 365H **Fridge not included Liftout Hatch provided to access space behind the fridge (100mm narrower if tie downs added to top) - 133L x 431W | N/A | \$3,731.00 | |
| PS/PA-010101-101227-1SL | Easy Access Combo 1 & Wing Kit - Small Low Platform to Passenger Side (Gap size 510W). Single Drawer O/A 1000L x 510W x 275H. Total Combo O/A 1000L x 1020W x 275H. (Suits RV-FS-1 *Not Included) | \$2,190.00 | \$2,340.00 | |
| PS/PA-010101-101227-1SR | Easy Access Combo 1 & Wing Kit - Small Low Platform to Driver Side (Gap size 510W). Single Drawer O/A 1000L x 510W x 275H. Total Combo O/A 1000L x 1020W x 275H. (Suits RV-FS-1 *Not Included) | \$2,190.00 | \$2,340.00 | |
| PS/PA-010101-101227-1LL | Easy Access Combo 1 & Wing Kit - Large Low Platform to Passenger Side (Gap size 570W). Single Drawer O/A 1000L x 450W x 275H. Total Combo O/A 1000L x 1020W x 275H. (Suits all RV-FS listed below except SO *Not Included) | \$2,190.00 | \$2,340.00 | |
| PS/PA-010101-101227-1LR | Easy Access Combo 1 & Wing Kit - Large Low Platform to Driver Side (Gap size 570W). Single Drawer O/A 1000L x 450W x 275H. Total Combo O/A 1000L x 1020W x 275H. (Suits all RV-FS listed below except SO *Not Included) | \$2,190.00 | \$2,340.00 | |
| PS/PA-010101-101227-2SL | Easy Access Combo 2 & Wing Kit - Small Low Platform to Passenger Side (Gap size 510W). Double Stacked Drawers (Standard Height Bottom Drawer O/A 1000L x 510W x 275H, Trade Height Top Drawer O/A 800L x 510W x 365H). Total Combo O/A 1000L x 1020W x 640H. (Suits RV-FS-1 *Not Included). Optional 800L Standard Height top drawer minus -\$100.00 | \$2,880.00 | \$3,180.00 | |
| PS/PA-010101-101227-2SR | Easy Access Combo 2 & Wing Kit - Small Low Platform to Driver Side (Gap size 510W). Double Stacked Drawers (Standard Height Bottom Drawer O/A 1000L x 510W x 275H, Trade Height Top Drawer O/A 800L x 510W x 365H). Total Combo O/A 1000L x 1020W x 640H. (Suits RV-FS-1 *Not Included). Optional 800L Standard Height top drawer minus -\$100.00 | \$2,880.00 | \$3,180.00 | |
| PS/PA-010101-101227-2LL | Easy Access Combo 2 & Wing Kit - Large Low Platform to Passenger Side (Gap size 570W). Double Stacked Drawers (Standard Height Bottom Drawer O/A 1000L x 450W x 275H, Trade Height Top Drawer O/A 800L x 450W x 365H). Total Combo O/A 1000L x 1020W x 640H. (Suits all RV-FS listed below except SO *Not Included). Optional 800L Standard Height top drawer minus -\$100.00 | \$2,880.00 | \$3,180.00 | |
| PS/PA-010101-101227-2LR | Easy Access Combo 2 & Wing Kit - Large Low Platform to Driver Side (Gap size 570W). Double Stacked Drawers (Standard Height Bottom Drawer O/A 1000L x 450W x 275H, Trade Height Top Drawer O/A 800L x 450W x 365H). Total Combo O/A 1000L x 1020W x 640H. (Suits all RV-FS listed below except SO *Not Included). Optional 800L Standard Height top drawer minus -\$100.00 | \$2,880.00 | \$3,180.00 | |
| PA-010101-951236-TC | Tourer Combo & Wing Kit - Low Platform to Passenger Side for Bushman 85L Upright Fridge (Gap size 510W). Triple Stacked Drawers Driver Side (Slimline Bottom Drawer I/D 880L x 420W x 59H Standard Height Middle Drawer I/D 880L x 420W x 190H, Trade Height Top Drawer I/D 730L x 420W x 270H). Total Combo O/A 950L x 1020W x 731H. (Includes Cargo Shelf Double, Bushman 85L Upright Fridge, Drawer Lids for Slimline and Standard height drawers). | N/A | \$6,130.00 | |
| RV-EAC-IFP-1000 | Easy Access Combo INFILL PANEL - covers fridge slide cavity to create a flat solid top effect (NOTE: top drawer must be removed on EAC-2 systems) | \$176.00 | N/A | |
| RV-CS-0851-00 | Cargo Shelf single - 800L Ventilated side panel and solid top shelf to fit FS-1 (small fridge space) Suits EAC-1 1000L x 1020W | \$520.00 | N/A | |
| RV-CS-0857-00 | Cargo Shelf single - 800L Ventilated side panel and solid top shelf to fit FS-1.5 & FS-2 (large fridge space) Suits EAC-1 1000L x 1020W | \$520.00 | N/A | |
| RV-CS-0812-00 | Cargo Shelf double - 800L Ventilated side panel and solid top shelf system. Fits EAC-2 1000L 1020W fitted with a Trade Height top drawer | \$567.00 | N/A | |
| RV-IBFS-1000-DS | Inbuilt Fridge Slide - flush fitting 1000L (Driver Side) Premium drawers only | \$448.00 | \$448.00 | |
| RV-IBFS-1000-PS | Inbuilt Fridge Slide - flush fitting 1000L (Passenger Side) Premium drawers only | \$448.00 | \$448.00 | |
| PS/PA-RV-FS-1 | Heavy Duty Fridge Slide - 750L x 455W x 80H (external incl. Travel Lock) | \$472.00 | \$522.00 | |
| PS-RV-FS-1-SO | Heavy Duty Fridge Slide - 450L x 770W x 110H (external incl. Travel Lock) | \$472.00 | N/A | |
| PS/PA-RV-FS-1.5 | Heavy Duty Fridge Slide - 750L x 530W x 80H (external incl. Travel Lock) | \$520.00 | \$570.00 | |
| PS/PA-RV-FS-2 | Heavy Duty Fridge Slide - 850L x 560W x 80H (external incl. Travel Lock) | \$567.00 | \$617.00 | |
| PS-RV-FS-2-SO | Heavy Duty Fridge Slide - 550L x 870W x 110H (external incl. Travel Lock) | \$567.00 | N/A | |
| PS/PA-RV-FS-2.25 | Heavy Duty Fridge Slide - 950L x 560W x 80H (external incl. Travel Lock) **Not Available For Trade Height | \$590.00 | \$640.00 | |
| RV-010101-HCB | Rear Cargo Barrier - Half height for fitment to RV drawer system, ADR Compliant | \$685.00 | N/A | |

Rear Cargo Barrier only available for Standard Height
Travel Slide Drawers available on page 181
Inbuilt Fridge Slides N/A for Trade Height alloy drawers

| PA: Premium Alloy PS: Premium Steel EL: EcoLite | TRADE HEIGHT DRAWERS +\$100 PER DRAWER | | |
|---|---|------------|------------|
| | PREMBLK: PREMIUM BLACK RRP +180.00 (option) | | |
| | DESCRIPTION (PRICES INCLUDE WING KIT UNLESS OTHERWISE STATED) | PS RRP | PA RRP |
| PS/PA-010201-105127-SSL | Single Drawer & Wing Kit - Standard Height to Passenger Side 1000L x 510W x 275H | \$1,375.00 | \$1,525.00 |
| PS/PA-010201-105127-SSR | Single Drawer & Wing Kit - Standard Height to Driver Side 1000L x 510W x 275H | \$1,375.00 | \$1,525.00 |
| EL-010201-101227-TDS | EcoLite Twin Drawer & Wing Kit - Standard Height 1000L x 1020W x 275H | \$1,960.00 | N/A |
| PS/PA-010201-101227-TDS | Twin Drawer & Wing Kit - Standard Height 1000L x 1020W x 275H | \$2,650.00 | \$2,950.00 |
| PS/PA-010201-951236-TDH | Twin Drawer & Wing Kit - Trade Height 950L x 1020W x 365H | \$2,815.00 | \$3,115.00 |
| PS/PA-010201-101230-FDC-E/D | Fridge Drawer Combo with 30L Engel/Dometic Fitkit - 1000L x 1020W x 300H **Fridge not included Liftout Hatch provided to access space behind the fridge (100mm narrower if tie downs added to top) - 183L x 431W | \$2,635.00 | \$2,785.00 |
| PS/PA-010201-951236-FDC-EK | Fridge Drawer Combo with 40L EvaKool Fitkit - 950L x 1020W x 365H **Fridge not included Liftout Hatch provided to access space behind the fridge (100mm narrower if tie downs added to top) - 133L x 560W | \$2,745.00 | \$2,895.00 |
| PS/PA-010201-951236-FDC-IM | Fridge Drawer Combo with 40L Ironman Fitkit - 950L x 1020W x 365H **Fridge not included Liftout Hatch provided to access space behind the fridge (100mm narrower if tie downs added to top) - 133L x 510W | \$2,745.00 | \$2,895.00 |
| PS/PA-010201-951236-FDC-BM | Fridge Drawer Combo with 30L Bushman Fitkit - 950L x 1020W x 365H **Fridge not included Liftout Hatch provided to access space behind the fridge (100mm narrower if tie downs added to top) - 133L x 431W | \$2,745.00 | \$2,895.00 |
| PA-010201-101230-FDS-E/D | Engel/Dometic Fridge Drawer Stacker with Engel/Dometic Fitkit - 1000L x 1020W x 300H **Fridge not included Liftout Hatch provided to access space behind the fridge (100mm narrower if tie downs added to top) - 183L x 431W | N/A | \$3,621.00 |
| PA-010201-951236-FDS-EK | Evakool Fridge Drawer Stacker with EvaKool Fitkit - 950L x 1020W x 365H **Fridge not included Liftout Hatch provided to access space behind the fridge (100mm narrower if tie downs added to top) - 133L x 560W | N/A | \$3,731.00 |
| PA-010201-951236-FDS-BM | Bushman Fridge Drawer Stacker with Bushman Fitkit - 950L x 1020W x 365H **Fridge not included Liftout Hatch provided to access space behind the fridge (100mm narrower if tie downs added to top) - 133L x 431W | N/A | \$3,731.00 |
| PS/PA-010201-101227-1SL | Easy Access Combo 1 & Wing Kit - Small Low Platform to Passenger Side (Gap size 510W). Single Drawer O/A 1000L x 510W x 275H. Total Combo O/A 1000L x 1020W x 275H. (Suits RV-FS-1 *Not Included) | \$2,190.00 | \$2,340.00 |
| PS/PA-010201-101227-1SR | Easy Access Combo 1 & Wing Kit - Small Low Platform to Driver Side (Gap size 510W). Single Drawer O/A 1000L x 510W x 275H. Total Combo O/A 1000L x 1020W x 275H. (Suits RV-FS-1 *Not Included) | \$2,190.00 | \$2,340.00 |
| PS/PA-010201-101227-1LL | Easy Access Combo 1 & Wing Kit - Large Low Platform to Passenger Side (Gap size 570W). Single Drawer O/A 1000L x 450W x 275H. Total Combo O/A 1000L x 1020W x 275H. (Suits all RV-FS listed below except SO *Not Included) | \$2,190.00 | \$2,340.00 |
| PS/PA-010201-101227-1LR | Easy Access Combo 1 & Wing Kit - Large Low Platform to Driver Side (Gap size 570W). Single Drawer O/A 1000L x 450W x 275H. Total Combo O/A 1000L x 1020W x 275H. (Suits all RV-FS listed below except SO *Not Included) | \$2,190.00 | \$2,340.00 |
| PS/PA-010201-101227-2SL | Easy Access Combo 2 & Wing Kit - Small Low Platform to Passenger Side (Gap size 510W). Double Stacked Drawers (Standard Height Bottom Drawer O/A 1000L x 510W x 275H, Trade Height Top Drawer O/A 800L x 510W x 365H). Total Combo O/A 1000L x 1020W x 640H. (Suits RV-FS-1 *Not Included). Optional 800L Standard Height top drawer minus -\$100.00 | \$2,880.00 | \$3,180.00 |
| PS/PA-010201-101227-2SR | Easy Access Combo 2 & Wing Kit - Small Low Platform to Driver Side (Gap size 510W). Double Stacked Drawers (Standard Height Bottom Drawer O/A 1000L x 510W x 275H, Trade Height Top Drawer O/A 800L x 510W x 365H). Total Combo O/A 1000L x 1020W x 640H. (Suits RV-FS-1 *Not Included). Optional 800L Standard Height top drawer minus -\$100.00 | \$2,880.00 | \$3,180.00 |
| PS/PA-010201-101227-2LL | Easy Access Combo 2 & Wing Kit - Large Low Platform to Passenger Side (Gap size 570W). Double Stacked Drawers (Standard Height Bottom Drawer O/A 1000L x 450W x 275H, Trade Height Top Drawer O/A 800L x 450W x 365H). Total Combo O/A 1000L x 1020W x 640H. (Suits all RV-FS listed below except SO *Not Included). Optional 800L Standard Height top drawer minus -\$100.00 | \$2,880.00 | \$3,180.00 |
| PS/PA-010201-101227-2LR | Easy Access Combo 2 & Wing Kit - Large Low Platform to Driver Side (Gap size 570W). Double Stacked Drawers (Standard Height Bottom Drawer O/A 1000L x 450W x 275H, Trade Height Top Drawer O/A 800L x 450W x 365H). Total Combo O/A 1000L x 1020W x 640H. (Suits all RV-FS listed below except SO *Not Included). Optional 800L Standard Height top drawer minus -\$100.00 | \$2,880.00 | \$3,180.00 |
| PA-010201-951236-TC | Tourer Combo & Wing Kit - Low Platform to Passenger Side for Bushman 85L Upright Fridge (Gap size 510W). Triple Stacked Drawers Driver Side (Slimline Bottom Drawer I/D 880L x 420W x 59H Standard Height Middle Drawer I/D 880L x 420W x 190H, Trade Height Top Drawer I/D 730L x 420W x 270H). Total Combo O/A 950L x 1020W x 731H. (Includes Cargo Shelf Double, Bushman 85L Upright Fridge, Drawer Lids for Slimline and Standard height drawers). | N/A | \$6,130.00 |
| RV-EAC-IFP-1000 | Easy Access Combo INFILL PANEL - covers fridge slide cavity to create a flat solid top effect (NOTE: top drawer must be removed on EAC-2 systems) | \$176.00 | N/A |
| RV-CS-0851-00 | Cargo Shelf single - 800L Ventilated side panel and solid top shelf to fit FS-1 (small fridge space) Suits EAC-1 x 1000L 1020W | \$520.00 | N/A |
| RV-CS-0857-00 | Cargo Shelf single - 800L Ventilated side panel and solid top shelf to fit FS-1.5 & FS-2 (large fridge space) Suits EAC-1 1000L x 1020W | \$520.00 | N/A |
| RV-CS-0812-00 | Cargo Shelf double - 800L Ventilated side panel and solid top shelf system. Fits EAC-2 1000L 1020W fitted with a Trade Height top drawer | \$567.00 | N/A |
| RV-IBFS-1000-DS | Inbuilt Fridge Slide - flush fitting 1000L (Driver Side) <i>Premium drawers only</i> | \$448.00 | \$448.00 |
| RV-IBFS-1000-PS | Inbuilt Fridge Slide - flush fitting 1000L (Passenger Side) <i>Premium drawers only</i> | \$448.00 | \$448.00 |
| PS/PA-RV-FS-1 | Heavy Duty Fridge Slide - 750L x 455W x 80H (external incl. Travel Lock) | \$472.00 | \$522.00 |
| PS-RV-FS-1-SO | Heavy Duty Fridge Slide - 450L x 770W x 110H (external incl. Travel Lock) | \$472.00 | N/A |
| PS/PA-RV-FS-1.5 | Heavy Duty Fridge Slide - 750L x 530W x 80H (external incl. Travel Lock) | \$520.00 | \$570.00 |
| PS/PA-RV-FS-2 | Heavy Duty Fridge Slide - 850L x 560W x 80H (external incl. Travel Lock) | \$567.00 | \$617.00 |
| PS-RV-FS-2-SO | Heavy Duty Fridge Slide - 550L x 870W x 110H (external incl. Travel Lock) | \$567.00 | N/A |
| PS/PA-RV-FS-2.25 | Heavy Duty Fridge Slide - 950L x 560W x 80H (external incl. Travel Lock) **Not Available For Trade Height | \$590.00 | \$640.00 |
| RV-010201-HCB | Rear Cargo Barrier - Half height for fitment to RV drawer system, ADR Compliant | \$685.00 | N/A |
| RV-010201-TSC | Rear Top Shelf & Dividing Barrier Combination - For fitment to RV cargo barrier & drawer system **Standard Height Only | \$704.00 | N/A |
| RV-010201-FTF | Forward Twin Floor - Twin carpeted floor system for fitment to RV drawer system, ADR Compliant | \$886.00 | N/A |
| RV-010201-FCB | Forward Cargo Barrier - Half height for fitment to RV Forward Twin Floor, ADR Compliant | \$685.00 | N/A |

Rear Cargo Barrier only available for Standard Height
Travel Slide Drawers available on page 181
Inbuilt Fridge Slides N/A for Trade Height alloy drawers
Dividing Barrier N/A for trade height drawers

VEHICLE
MAKE
MODEL

NISSAN
GU PATROL Y61
STL, Ti & Mk2 - Rear Airconditioning (1997-2016) - 1000x1020 / 950x1020

NISSAN

95

| PA: Premium Alloy PS: Premium Steel EL: EcoLite | TRADE HEIGHT DRAWERS +\$100 PER DRAWER | | |
|---|---|------------|------------|
| | PREMBLK: PREMIUM BLACK RRP +180.00 (option) | | |
| | DESCRIPTION (PRICES INCLUDE WING KIT UNLESS OTHERWISE STATED) | PS RRP | PA RRP |
| PS/PA-010203-105127-SSL | Single Drawer & Wing Kit - Standard Height to Passenger Side 1000L x 510W x 275H | \$1,375.00 | \$1,525.00 |
| PS/PA-010203-105127-SSR | Single Drawer & Wing Kit - Standard Height to Driver Side 1000L x 510W x 275H | \$1,375.00 | \$1,525.00 |
| EL-010203-101227-TDS | EcoLite Twin Drawer & Wing Kit - Standard Height 1000L x 1020W x 275H | \$1,960.00 | N/A |
| PS/PA-010203-101227-TDS | Twin Drawer & Wing Kit - Standard Height 1000L x 1020W x 275H | \$2,650.00 | \$2,950.00 |
| PS/PA-010203-951236-TDH | Twin Drawer & Wing Kit - Trade Height 950L x 1020W x 365H | \$2,815.00 | \$3,115.00 |
| PS/PA-010203-101230-FDC-E/D | Fridge Drawer Combo with 30L Engel/Dometic Fitkit - 1000L x 1020W x 300H **Fridge not included Liftout Hatch provided to access space behind the fridge (100mm narrower if tie downs added to top) - 183L x 431W | \$2,635.00 | \$2,785.00 |
| PS/PA-010203-951236-FDC-EK | Fridge Drawer Combo with 40L EvaKool Fitkit - 950L x 1020W x 365H **Fridge not included Liftout Hatch provided to access space behind the fridge (100mm narrower if tie downs added to top) - 133L x 560W | \$2,745.00 | \$2,895.00 |
| PS/PA-010203-951236-FDC-IM | Fridge Drawer Combo with 40L Ironman Fitkit - 950L x 1020W x 365H **Fridge not included Liftout Hatch provided to access space behind the fridge (100mm narrower if tie downs added to top) - 133L x 510W | \$2,745.00 | \$2,895.00 |
| PS/PA-010203-951236-FDC-BM | Fridge Drawer Combo with 30L Bushman Fitkit - 950L x 1020W x 365H **Fridge not included Liftout Hatch provided to access space behind the fridge (100mm narrower if tie downs added to top) - 133L x 431W | \$2,745.00 | \$2,895.00 |
| PA-010203-101230-FDS-E/D | Engel/Dometic Fridge Drawer Stacker with Engel/Dometic Fitkit - 1000L x 1020W x 300H **Fridge not included Liftout Hatch provided to access space behind the fridge (100mm narrower if tie downs added to top) - 183L x 431W | N/A | \$3,621.00 |
| PA-010203-951236-FDS-EK | Evakool Fridge Drawer Stacker with EvaKool Fitkit - 950L x 1020W x 365H **Fridge not included Liftout Hatch provided to access space behind the fridge (100mm narrower if tie downs added to top) - 133L x 560W | N/A | \$3,731.00 |
| PA-010203-951236-FDS-BM | Bushman Fridge Drawer Stacker with Bushman Fitkit - 950L x 1020W x 365H **Fridge not included Liftout Hatch provided to access space behind the fridge (100mm narrower if tie downs added to top) - 133L x 431W | N/A | \$3,731.00 |
| PS/PA-010203-101227-1SL | Easy Access Combo 1 & Wing Kit - Small Low Platform to Passenger Side (Gap size 510W). Single Drawer O/A 1000L x 510W x 275H. Total Combo O/A 1000L x 1020W x 275H. (Suits RV-FS-1 *Not Included) | \$2,190.00 | \$2,340.00 |
| PS/PA-010203-101227-1SR | Easy Access Combo 1 & Wing Kit - Small Low Platform to Driver Side (Gap size 510W). Single Drawer O/A 1000L x 510W x 275H. Total Combo O/A 1000L x 1020W x 275H. (Suits RV-FS-1 *Not Included) | \$2,190.00 | \$2,340.00 |
| PS/PA-010203-101227-1LL | Easy Access Combo 1 & Wing Kit - Large Low Platform to Passenger Side (Gap size 570W). Single Drawer O/A 1000L x 450W x 275H. Total Combo O/A 1000L x 1020W x 275H. (Suits all RV-FS listed below except SO *Not Included) | \$2,190.00 | \$2,340.00 |
| PS/PA-010203-101227-1LR | Easy Access Combo 1 & Wing Kit - Large Low Platform to Driver Side (Gap size 570W). Single Drawer O/A 1000L x 450W x 275H. Total Combo O/A 1000L x 1020W x 275H. (Suits all RV-FS listed below except SO *Not Included) | \$2,190.00 | \$2,340.00 |
| PS/PA-010203-101227-2SL | Easy Access Combo 2 & Wing Kit - Small Low Platform to Passenger Side (Gap size 510W). Double Stacked Drawers (Standard Height Bottom Drawer O/A 1000L x 510W x 275H, Trade Height Top Drawer O/A 800L x 510W x 365H). Total Combo O/A 1000L x 1020W x 640H. (Suits RV-FS-1 *Not Included). Optional 800L Standard Height top drawer minus -\$100.00 | \$2,880.00 | \$3,180.00 |
| PS/PA-010203-101227-2SR | Easy Access Combo 2 & Wing Kit - Small Low Platform to Driver Side (Gap size 510W). Double Stacked Drawers (Standard Height Bottom Drawer O/A 1000L x 510W x 275H, Trade Height Top Drawer O/A 800L x 510W x 365H). Total Combo O/A 1000L x 1020W x 640H. (Suits RV-FS-1 *Not Included). Optional 800L Standard Height top drawer minus -\$100.00 | \$2,880.00 | \$3,180.00 |
| PS/PA-010203-101227-2LL | Easy Access Combo 2 & Wing Kit - Large Low Platform to Passenger Side (Gap size 570W). Double Stacked Drawers (Standard Height Bottom Drawer O/A 1000L x 450W x 275H, Trade Height Top Drawer O/A 800L x 450W x 365H). Total Combo O/A 1000L x 1020W x 640H. (Suits all RV-FS listed below except SO *Not Included). Optional 800L Standard Height top drawer minus -\$100.00 | \$2,880.00 | \$3,180.00 |
| PS/PA-010203-101227-2LR | Easy Access Combo 2 & Wing Kit - Large Low Platform to Driver Side (Gap size 570W). Double Stacked Drawers (Standard Height Bottom Drawer O/A 1000L x 450W x 275H, Trade Height Top Drawer O/A 800L x 450W x 365H). Total Combo O/A 1000L x 1020W x 640H. (Suits all RV-FS listed below except SO *Not Included). Optional 800L Standard Height top drawer minus -\$100.00 | \$2,880.00 | \$3,180.00 |
| PA-010203-951236-TC | Tourer Combo & Wing Kit - Low Platform to Passenger Side for Bushman 85Lt Upright Fridge (Gap size 510W). Triple Stacked Drawers Driver Side (Slimline Bottom Drawer I/D 880L x 420W x 59H Standard Height Middle Drawer I/D 880L x 420W x 190H, Trade Height Top Drawer I/D 730L x 420W x 270H). Total Combo O/A 950L x 1020W x 731H. (Includes Cargo Shelf Double, Bushman 85Lt Upright Fridge, Drawer Lids for Slimline and Standard height drawers). | N/A | \$6,130.00 |
| RV-EAC-IFP-1000 | Easy Access Combo INFILL PANEL - covers fridge slide cavity to create a flat solid top effect (NOTE: top drawer must be removed on EAC-2 systems) | \$176.00 | N/A |
| RV-CS-0851-00 | Cargo Shelf single - 800L Ventilated side panel and solid top shelf to fit FS-1 (small fridge space) Suits EAC-1 1000L x 1020W | \$520.00 | N/A |
| RV-CS-0857-00 | Cargo Shelf single - 800L Ventilated side panel and solid top shelf to fit FS-1.5 & FS-2 (large fridge space) Suits EAC-1 1000L x 1020W | \$520.00 | N/A |
| RV-CS-0812-00 | Cargo Shelf double - 800L Ventilated side panel and solid top shelf system. Fits EAC-2 1000L 1020W fitted with a Trade Height top drawer | \$567.00 | N/A |
| RV-IBFS-1000-DS | Inbuilt Fridge Slide - flush fitting 1000L (Driver Side) Premium drawers only | \$448.00 | \$448.00 |
| RV-IBFS-1000-PS | Inbuilt Fridge Slide - flush fitting 1000L (Passenger Side) Premium drawers only | \$448.00 | \$448.00 |
| PS/PA-RV-FS-1 | Heavy Duty Fridge Slide - 750L x 455W x 80H (external incl. Travel Lock) | \$472.00 | \$522.00 |
| PS-RV-FS-1-SO | Heavy Duty Fridge Slide - 450L x 770W x 110H (external incl. Travel Lock) | \$472.00 | N/A |
| PS/PA-RV-FS-1.5 | Heavy Duty Fridge Slide - 750L x 530W x 80H (external incl. Travel Lock) | \$520.00 | \$570.00 |
| PS/PA-RV-FS-2 | Heavy Duty Fridge Slide - 850L x 560W x 80H (external incl. Travel Lock) | \$567.00 | \$617.00 |
| PS-RV-FS-2-SO | Heavy Duty Fridge Slide - 550L x 870W x 110H (external incl. Travel Lock) | \$567.00 | N/A |
| PS/PA-RV-FS-2.25 | Heavy Duty Fridge Slide - 950L x 560W x 80H (external incl. Travel Lock) **Not Available For Trade Height | \$590.00 | \$640.00 |
| RV-010203-HCB | Rear Cargo Barrier - Half height for fitment to RV drawer system, ADR Compliant | \$685.00 | N/A |
| RV-010203-TSC | Rear Top Shelf & Dividing Barrier Combination - For fitment to RV cargo barrier & drawer system **Standard Height Only | \$704.00 | N/A |
| RV-010203-FTF | Forward Twin Floor - Twin carpeted floor system for fitment to RV drawer system, ADR Compliant | \$886.00 | N/A |
| RV-010203-FCB | Forward Cargo Barrier - Half height for fitment to RV Forward Twin Floor, ADR Compliant | \$685.00 | N/A |

Rear Cargo Barrier only available for Standard Height
Travel Slide Drawers available on page 181
Inbuilt Fridge Slides N/A for Trade Height alloy drawers
Dividing Barrier N/A for trade height drawers

| VEHICLE MAKE MODEL | | NISSAN | | |
|---|--|---|------------|--|
| NISSAN Y62 PATROL ST-L, Ti-L, Ti (2012+) - 1000x1020 | | NISSAN | | |
| PA: Premium Alloy PS: Premium Steel EL: EcoLite | | TRADE HEIGHT DRAWERS +\$100 PER DRAWER | | |
| | | PREMLBK: PREMIUM BLACK RRP +180.00 (option) | | |
| | | DESCRIPTION (PRICES INCLUDE WING KIT UNLESS OTHERWISE STATED) | | |
| | | PS RRP | PA RRP | |
| EL-010301-101227-TDS | EcoLite Twin Drawer & Wing Kit - Standard Height 1000L x 1020W x 275H - (Subframe included) | \$2,070.00 | N/A | |
| PS/PA-010301-101227-TDS | Twin Drawer & Wing Kit - Standard Height 1000L x 1020W x 275H - (Subframe included) | \$2,760.00 | \$3,060.00 | |
| PS/PA-010301-101236-TDH | Twin Drawer & Wing Kit - Trade Height 1000L x 1020W x 365H - (Subframe included) | \$2,960.00 | \$3,260.00 | |
| PS/PA-010301-101230-FDC-E/D | Fridge Drawer Combo with 30L Engel/Dometic Fitkit - 1000L x 1020W x 300H (Subframe included) *Fridge not included Liftout Hatch provided to access space behind the fridge (100mm narrower if tie downs added to top) - 183L x 431W | \$2,745.00 | \$2,895.00 | |
| PS/PA-010301-101236-FDC-EK | Fridge Drawer Combo with 40L EvaKool Fitkit - 1000L x 1020W x 365H (Subframe included) *Fridge not included Liftout Hatch provided to access space behind the fridge (100mm narrower if tie downs added to top) - 183L x 560W | \$2,855.00 | \$3,005.00 | |
| PS/PA-010301-101236-FDC-IM | Fridge Drawer Combo with 40L Ironman Fitkit - 1000L x 1020W x 365H (Subframe included) *Fridge not included Liftout Hatch provided to access space behind the fridge (100mm narrower if tie downs added to top) - 183L x 510W | \$2,855.00 | \$3,005.00 | |
| PS/PA-010301-101236-FDC-BM | Fridge Drawer Combo with 30L Bushman Fitkit - 1000L x 1020W x 365H (Subframe included) *Fridge not included Liftout Hatch provided to access space behind the fridge (100mm narrower if tie downs added to top) - 183L x 431W | \$2,855.00 | \$3,005.00 | |
| PA-010301-101230-FDS-E/D | Engel/Dometic Fridge Drawer Stacker with Engel/Dometic Fitkit - 1000L x 1020W x 300H (Subframe included) *Fridge not included Liftout Hatch provided to access space behind the fridge (100mm narrower if tie downs added to top) - 183L x 431W | N/A | \$3,731.00 | |
| PA-010301-101236-FDS-EK | Evakool Fridge Drawer Stacker with EvaKool Fitkit - 1000L x 1020W x 365H (Subframe included) *Fridge not included Liftout Hatch provided to access space behind the fridge (100mm narrower if tie downs added to top) - 183L x 560W | N/A | \$3,841.00 | |
| PA-010301-101236-FDS-BM | Bushman Fridge Drawer Stacker with Bushman Fitkit - 1000L x 1020W x 365H (Subframe included) *Fridge not included Liftout Hatch provided to access space behind the fridge (100mm narrower if tie downs added to top) - 183L x 431W | N/A | \$3,841.00 | |
| PS/PA-010301-101227-1SL | Easy Access Combo 1 & Wing Kit - Small Low Platform to Passenger Side (Gap size 510W). Single Drawer O/A 1000L x 510W x 275H. Total Combo O/A 1000L x 1020W x 275H. (Subframe included) (Suits RV-FS-1 *Not Included) | \$2,300.00 | \$2,450.00 | |
| PS/PA-010301-101227-1SR | Easy Access Combo 1 & Wing Kit - Small Low Platform to Driver Side (Gap size 510W). Single Drawer O/A 1000L x 510W x 275H. Total Combo O/A 1000L x 1020W x 275H. (Subframe included) (Suits RV-FS-1 *Not Included) | \$2,300.00 | \$2,450.00 | |
| PS/PA-010301-101227-1LL | Easy Access Combo 1 & Wing Kit - Large Low Platform to Passenger Side (Gap size 570W). Single Drawer O/A 1000L x 450W x 275H. Total Combo O/A 1000L x 1020W x 275H. (Subframe included) (Suits all RV-FS listed below except SO *Not Included) | \$2,300.00 | \$2,450.00 | |
| PS/PA-010301-101227-1LR | Easy Access Combo 1 & Wing Kit - Large Low Platform to Driver Side (Gap size 570W). Single Drawer O/A 1000L x 450W x 275H. Total Combo O/A 1000L x 1020W x 275H. (Subframe included) (Suits all RV-FS listed below except SO *Not Included) | \$2,300.00 | \$2,450.00 | |
| PS/PA-010301-101227-2SL | Easy Access Combo 2 & Wing Kit - Small Low Platform to Passenger Side (Gap size 510W). Double Stacked Drawers (Standard Height Bottom Drawer O/A 1000L x 510W x 275H, Trade Height Top Drawer O/A 800L x 510W x 365H). Total Combo O/A 1000L x 1020W x 640H. (Subframe included) (Suits RV-FS-1 *Not Included). Optional 800L Standard Height top drawer minus -\$100.00 | \$2,990.00 | \$3,290.00 | |
| PS/PA-010301-101227-2SR | Easy Access Combo 2 & Wing Kit - Small Low Platform to Driver Side (Gap size 510W). Double Stacked Drawers (Standard Height Bottom Drawer O/A 1000L x 510W x 275H, Trade Height Top Drawer O/A 800L x 510W x 365H). Total Combo O/A 1000L x 1020W x 640H. (Subframe included) (Suits RV-FS-1 *Not Included). Optional 800L Standard Height top drawer minus -\$100.00 | \$2,990.00 | \$3,290.00 | |
| PS/PA-010301-101227-2LL | Easy Access Combo 2 & Wing Kit - Large Low Platform to Passenger Side (Gap size 570W). Double Stacked Drawers (Standard Height Bottom Drawer O/A 1000L x 450W x 275H, Trade Height Top Drawer O/A 800L x 450W x 365H). Total Combo O/A 1000L x 1020W x 640H. (Subframe included) (Suits all RV-FS listed below except SO *Not Included). Optional 800L Standard Height top drawer minus -\$100.00 | \$2,990.00 | \$3,290.00 | |
| PS/PA-010301-101227-2LR | Easy Access Combo 2 & Wing Kit - Large Low Platform to Driver Side (Gap size 570W). Double Stacked Drawers (Standard Height Bottom Drawer O/A 1000L x 450W x 275H, Trade Height Top Drawer O/A 800L x 450W x 365H). Total Combo O/A 1000L x 1020W x 640H. (Subframe included) (Suits all RV-FS listed below except SO *Not Included). Optional 800L Standard Height top drawer minus -\$100.00 | \$2,990.00 | \$3,290.00 | |
| PA-010301-101236-TC | Tourer Combo & Wing Kit - Low Platform to Passenger Side for Bushman 85L Upright Fridge (Gap size 510W). Triple Stacked Drawers Driver Side (Slimline Bottom Drawer I/D 930L x 420W x 59H Standard Height Middle Drawer I/D 930L x 420W x 190H, Trade Height Top Drawer I/D 730L x 420W x 270H). Total Combo O/A 1000L x 1020W x 731H. (Includes Cargo Shelf Double, Bushman 85L Upright Fridge, Drawer Lids for Slimline and Standard height drawers). | N/A | \$6,130.00 | |
| RV-EAC-IFP-1000 | Easy Access Combo INFILL PANEL - covers fridge slide cavity to create a flat solid top effect (NOTE: top drawer must be removed on EAC-2 systems) | \$176.00 | N/A | |
| RV-CS-0851-00 | Cargo Shelf single - 800L Ventilated side panel and solid top shelf to fit FS-1 (small fridge space) Suits EAC-1 1000L x 1020W | \$520.00 | N/A | |
| RV-CS-0857-00 | Cargo Shelf single - 800L Ventilated side panel and solid top shelf to fit FS-1.5 & FS-2 (large fridge space) Suits EAC-1 1000L x 1020W | \$520.00 | N/A | |
| RV-CS-0812-00 | Cargo Shelf double - 800L Ventilated side panel and solid top shelf system. Fits EAC-2 1000L 1020W fitted with a Trade Height top drawer | \$567.00 | N/A | |
| RV-IBFS-1000-DS | Inbuilt Fridge Slide - flush fitting 1000L (Driver Side) Premium drawers only | \$448.00 | \$448.00 | |
| RV-IBFS-1000-PS | Inbuilt Fridge Slide - flush fitting 1000L (Passenger Side) Premium drawers only | \$448.00 | \$448.00 | |
| PS/PA-RV-FS-1 | Heavy Duty Fridge Slide - 750L x 455W x 80H (external incl. Travel Lock) | \$472.00 | \$522.00 | |
| PS-RV-FS-1-SO | Heavy Duty Fridge Slide - 450L x 770W x 110H (external incl. Travel Lock) | \$472.00 | N/A | |
| PS/PA-RV-FS-1.5 | Heavy Duty Fridge Slide - 750L x 530W x 80H (external incl. Travel Lock) | \$520.00 | \$570.00 | |
| PS/PA-RV-FS-2 | Heavy Duty Fridge Slide - 850L x 560W x 80H (external incl. Travel Lock) | \$567.00 | \$617.00 | |
| PS-RV-FS-2-SO | Heavy Duty Fridge Slide - 550L x 870W x 110H (external incl. Travel Lock) | \$567.00 | N/A | |
| PS/PA-RV-FS-2.25 | Heavy Duty Fridge Slide - 950L x 560W x 80H (external incl. Travel Lock) | \$590.00 | \$640.00 | |
| RV-010301-HCB | Rear Cargo Barrier - Half height for fitment to RV drawer system, ADR Compliant | \$685.00 | N/A | |
| RV-010301-FTF | Forward Twin Floor - Twin carpeted floor system for fitment to RV drawer system, ADR Compliant | \$886.00 | N/A | |
| <p>Rear Cargo Barrier with trade height is possible but barrier may interfere with 2nd row seats. Top Shelf Center Divider not available in this vehicle. The top side rail of a +100 side wall cargo shelf/Fridge enclosure will interfere with the pelmet if on top of a Slimline Drawer. Remove the rail in this case. Travel Slide Drawers available on page 181 Inbuilt Fridge Slides N/A for Trade Height alloy drawers</p> | | | | |

| VEHICLE MAKE MODEL | NISSAN PATHFINDER R51 ST (2005 - 2010) - 1000x970 | NISSAN | |
|--|---|------------|------------|
| PA: Premium Alloy PS: Premium Steel EL: EcoLite | TRADE HEIGHT DRAWERS +\$100 PER DRAWER | | |
| | PREMBLK: PREMIUM BLACK RRP +180.00 (option) | | |
| | DESCRIPTION (PRICES INCLUDE WING KIT UNLESS OTHERWISE STATED) | PS RRP | PA RRP |
| PS/PA-010401-104827-SSL | Single Drawer & Wing Kit - Standard Height to Passenger Side 1000L x 485W x 275H | \$1,375.00 | \$1,525.00 |
| PS/PA-010401-104827-SSR | Single Drawer & Wing Kit - Standard Height to Driver Side 1000L x 485W x 275H | \$1,375.00 | \$1,525.00 |
| EL-010401-109727-TDS | EcoLite Twin Drawer & Wing Kit - Standard Height 1000L x 970W x 275H | \$1,960.00 | N/A |
| PS/PA-010401-109727-TDS | Twin Drawer & Wing Kit - Standard Height 1000L x 970W x 275H | \$2,650.00 | \$2,950.00 |
| PS/PA-010401-109730-FDC-E/D | Fridge Drawer Combo with 30L Engel/Dometic Fitkit - 1000L x 970W x 300H **Fridge not included Liftout Hatch provided to access space behind the fridge (100mm narrower if tie downs added to top) - 183L x 431W | \$2,635.00 | \$2,785.00 |
| PA-010401-109730-FDS-E/D | Engel/Dometic Fridge Drawer Stacker with Engel/Dometic Fitkit - 1000L x 970W x 300H **Fridge not included Liftout Hatch provided to access space behind the fridge (100mm narrower if tie downs added to top) - 183L x 431W | N/A | \$3,621.00 |
| PS/PA-010401-109727-1SL | Easy Access Combo 1 & Wing Kit - Small Low Platform to Passenger Side (Gap size 485W). Single Drawer O/A 1000L x 485W x 275H. Total Combo O/A 1000L x 970W x 275H. (Suits RV-FS-1 *Not Included) | \$2,190.00 | \$2,340.00 |
| PS/PA-010401-109727-1SR | Easy Access Combo 1 & Wing Kit - Small Low Platform to Driver Side (Gap size 485W). Single Drawer O/A 1000L x 485W x 275H. Total Combo O/A 1000L x 970W x 275H. (Suits RV-FS-1 *Not Included) | \$2,190.00 | \$2,340.00 |
| PS/PA-010401-109727-1LL | Easy Access Combo 1 & Wing Kit - Large Low Platform to Passenger Side (Gap size 570W). Single Drawer O/A 1000L x 400W x 275H. Total Combo O/A 1000L x 970W x 275H. (Suits all RV-FS listed below except SO *Not Included) | \$2,190.00 | \$2,340.00 |
| PS/PA-010401-109727-1LR | Easy Access Combo 1 & Wing Kit - Large Low Platform to Driver Side (Gap size 570W). Single Drawer O/A 1000L x 400W x 275H. Total Combo O/A 1000L x 970W x 275H. (Suits all RV-FS listed below except SO *Not Included) | \$2,190.00 | \$2,340.00 |
| PS/PA-010401-109727-2SL | Easy Access Combo 2 & Wing Kit - Small Low Platform to Passenger Side (Gap size 485W). Double Stacked Drawers (Standard Height Bottom Drawer O/A 1000L x 485W x 275H, Trade Height Top Drawer O/A 800L x 485W x 365H). Total Combo O/A 1000L x 970W x 640H. (Suits RV-FS-1 *Not Included). Optional 800L Standard Height top drawer minus -\$100.00 | \$2,880.00 | \$3,180.00 |
| PS/PA-010401-109727-2SR | Easy Access Combo 2 & Wing Kit - Small Low Platform to Driver Side (Gap size 485W). Double Stacked Drawers (Standard Height Bottom Drawer O/A 1000L x 485W x 275H, Trade Height Top Drawer O/A 800L x 485W x 365H). Total Combo O/A 1000L x 970W x 640H. (Suits RV-FS-1 *Not Included). Optional 800L Standard Height top drawer minus -\$100.00 | \$2,880.00 | \$3,180.00 |
| PS/PA-010401-109727-2LL | Easy Access Combo 2 & Wing Kit - Large Low Platform to Passenger Side (Gap size 570W). Double Stacked Drawers (Standard Height Bottom Drawer O/A 1000L x 400W x 275H, Trade Height Top Drawer O/A 800L x 400W x 365H). Total Combo O/A 1000L x 970W x 640H. (Suits all RV-FS listed below except SO *Not Included). Optional 800L Standard Height top drawer minus -\$100.00 | \$2,880.00 | \$3,180.00 |
| PS/PA-010401-109727-2LR | Easy Access Combo 2 & Wing Kit - Large Low Platform to Driver Side (Gap size 570W). Double Stacked Drawers (Standard Height Bottom Drawer O/A 1000L x 400W x 275H, Trade Height Top Drawer O/A 800L x 400W x 365H). Total Combo O/A 1000L x 970W x 640H. (Suits all RV-FS listed below except SO *Not Included). Optional 800L Standard Height top drawer minus -\$100.00 | \$2,880.00 | \$3,180.00 |
| RV-EAC-IFP-1000 | Easy Access Combo INFILL PANEL - covers fridge slide cavity to create a flat solid top effect (NOTE: top drawer must be removed on EAC-2 systems) | \$176.00 | N/A |
| RV-CS-0748-00 | Cargo Shelf single - 700L Ventilated side panel and solid top shelf to fit FS-1 (small fridge space) Suits EAC-1 1000L x 970W | \$520.00 | N/A |
| RV-CS-0757-00 | Cargo Shelf single - 700L Ventilated side panel and solid top shelf to fit FS-1.5 & FS-2 (large fridge space) Suits EAC-1 1000L x 970W | \$520.00 | N/A |
| RV-CS-0897-00 | Cargo Shelf double - 800L Ventilated side panel and solid top shelf system. Fits EAC-2 1000L x 970W fitted with a Trade Height top drawer | \$567.00 | N/A |
| RV-IBFS-1000-DS | Inbuilt Fridge Slide - flush fitting 1000L (Driver Side) <i>Premium drawers only</i> | \$448.00 | \$448.00 |
| RV-IBFS-1000-PS | Inbuilt Fridge Slide - flush fitting 1000L (Passenger Side) <i>Premium drawers only</i> | \$448.00 | \$448.00 |
| PS/PA-RV-FS-1 | Heavy Duty Fridge Slide - 750L x 455W x 80H (external incl. Travel Lock) | \$472.00 | \$522.00 |
| PS-RV-FS-1-SO | Heavy Duty Fridge Slide - 450L x 770W x 110H (external incl. Travel Lock) | \$472.00 | N/A |
| PS/PA-RV-FS-1.5 | Heavy Duty Fridge Slide - 750L x 530W x 80H (external incl. Travel Lock) | \$520.00 | \$570.00 |
| PS/PA-RV-FS-2 | Heavy Duty Fridge Slide - 850L x 560W x 80H (external incl. Travel Lock) | \$567.00 | \$617.00 |
| PS-RV-FS-2-SO | Heavy Duty Fridge Slide - 550L x 870W x 110H (external incl. Travel Lock) | \$567.00 | N/A |
| PS/PA-RV-FS-2.25 | Heavy Duty Fridge Slide - 950L x 560W x 80H (external incl. Travel Lock) | \$590.00 | \$640.00 |
| <p>Cargo Shelf Single uses the same 700L shelf as Prado due to the 1000L x 970 format drawer size being unique to this vehicle. EvaKool/Ironman Fridge Drawer Combo not available Trade Height Not Available Travel Slide Drawers available on page 181</p> | | | |

| VEHICLE MAKE MODEL | NISSAN PATHFINDER R51 (2005+) STL/Ti/ST(2010+) - 1000x970 | NISSAN | | |
|---|---|---|------------|------------|
| PA: Premium Alloy PS: Premium Steel EL: EcoLite | | TRADE HEIGHT DRAWERS +\$100 PER DRAWER | | |
| | | PREMLBK: PREMIUM BLACK RRP +180.00 (option) | | |
| | | DESCRIPTION (PRICES INCLUDE WING KIT UNLESS OTHERWISE STATED) | PS RRP | PA RRP |
| PS/PA-010402-104827-SSL | Single Drawer & Wing Kit - Standard Height to Passenger Side 1000L x 485W x 275H | | \$1,375.00 | \$1,525.00 |
| PS/PA-010402-104827-SSR | Single Drawer & Wing Kit - Standard Height to Driver Side 1000L x 485W x 275H | | \$1,375.00 | \$1,525.00 |
| EL-010402-109727-TDS | EcoLite Twin Drawer & Wing Kit - Standard Height 1000L x 970W x 275H | | \$1,960.00 | N/A |
| PS/PA-010402-109727-TDS | Twin Drawer & Wing Kit - Standard Height 1000L x 970W x 275H | | \$2,650.00 | \$2,950.00 |
| PS/PA-010402-109730-FDC-E/D | Fridge Drawer Combo with 30L Engel/Dometic Fitkit - 1000L x 970W x 300H **Fridge not included Liftout Hatch provided to access space behind the fridge (100mm narrower if tie downs added to top) - 183L x 431W | | \$2,635.00 | \$2,785.00 |
| PA-010402-109730-FDS-E/D | Engel/Dometic Fridge Drawer Stacker with Engel/Dometic Fitkit - 1000L x 970W x 300H **Fridge not included Liftout Hatch provided to access space behind the fridge (100mm narrower if tie downs added to top) - 183L x 431W | | N/A | \$3,621.00 |
| PS/PA-010402-109727-1SL | Easy Access Combo 1 & Wing Kit - Small Low Platform to Passenger Side (Gap size 485W). Single Drawer O/A 1000L x 485W x 275H. Total Combo O/A 1000L x 970W x 275H. (Suits RV-FS-1 *Not Included) | | \$2,190.00 | \$2,340.00 |
| PS/PA-010402-109727-1SR | Easy Access Combo 1 & Wing Kit - Small Low Platform to Driver Side (Gap size 485W). Single Drawer O/A 1000L x 485W x 275H. Total Combo O/A 1000L x 970W x 275H. (Suits RV-FS-1 *Not Included) | | \$2,190.00 | \$2,340.00 |
| PS/PA-010402-109727-1LL | Easy Access Combo 1 & Wing Kit - Large Low Platform to Passenger Side (Gap size 570W). Single Drawer O/A 1000L x 400W x 275H. Total Combo O/A 1000L x 970W x 275H. (Suits all RV-FS listed below except SO *Not Included) | | \$2,190.00 | \$2,340.00 |
| PS/PA-010402-109727-1LR | Easy Access Combo 1 & Wing Kit - Large Low Platform to Driver Side (Gap size 570W). Single Drawer O/A 1000L x 400W x 275H. Total Combo O/A 1000L x 970W x 275H. (Suits all RV-FS listed below except SO *Not Included) | | \$2,190.00 | \$2,340.00 |
| PS/PA-010402-109727-2SL | Easy Access Combo 2 & Wing Kit - Small Low Platform to Passenger Side (Gap size 485W). Double Stacked Drawers (Standard Height Bottom Drawer O/A 1000L x 485W x 275H, Trade Height Top Drawer O/A 800L x 485W x 365H). Total Combo O/A 1000L x 970W x 640H. (Suits RV-FS-1 *Not Included). Optional 800L Standard Height top drawer minus -\$100.00 | | \$2,880.00 | \$3,180.00 |
| PS/PA-010402-109727-2SR | Easy Access Combo 2 & Wing Kit - Small Low Platform to Driver Side (Gap size 485W). Double Stacked Drawers (Standard Height Bottom Drawer O/A 1000L x 485W x 275H, Trade Height Top Drawer O/A 800L x 485W x 365H). Total Combo O/A 1000L x 970W x 640H. (Suits RV-FS-1 *Not Included). Optional 800L Standard Height top drawer minus -\$100.00 | | \$2,880.00 | \$3,180.00 |
| PS/PA-010402-109727-2LL | Easy Access Combo 2 & Wing Kit - Large Low Platform to Passenger Side (Gap size 570W). Double Stacked Drawers (Standard Height Bottom Drawer O/A 1000L x 400W x 275H, Trade Height Top Drawer O/A 800L x 400W x 365H). Total Combo O/A 1000L x 970W x 640H. (Suits all RV-FS listed below except SO *Not Included). Optional 800L Standard Height top drawer minus -\$100.00 | | \$2,880.00 | \$3,180.00 |
| PS/PA-010402-109727-2LR | Easy Access Combo 2 & Wing Kit - Large Low Platform to Driver Side (Gap size 570W). Double Stacked Drawers (Standard Height Bottom Drawer O/A 1000L x 400W x 275H, Trade Height Top Drawer O/A 800L x 400W x 365H). Total Combo O/A 1000L x 970W x 640H. (Suits all RV-FS listed below except SO *Not Included). Optional 800L Standard Height top drawer minus -\$100.00 | | \$2,880.00 | \$3,180.00 |
| RV-EAC-IFP-1000 | Easy Access Combo INFILL PANEL - covers fridge slide cavity to create a flat solid top effect (NOTE: top drawer must be removed on EAC-2 systems) | | \$176.00 | N/A |
| RV-CS-0748-00 | Cargo Shelf single - 700L Ventilated side panel and solid top shelf to fit FS-1 (small fridge space) Suits EAC-1 1000L x 970W | | \$520.00 | N/A |
| RV-CS-0757-00 | Cargo Shelf single - 700L Ventilated side panel and solid top shelf to fit FS-1.5 & FS-2 (large fridge space) Suits EAC-1 1000L x 970W | | \$520.00 | N/A |
| RV-CS-0897-00 | Cargo Shelf double - 800L Ventilated side panel and solid top shelf system. Fits EAC-2 1000L x 970W fitted with a Trade Height top drawer | | \$567.00 | N/A |
| RV-IBFS-1000-DS | Inbuilt Fridge Slide - flush fitting 1000L (Driver Side) Premium drawers only | | \$448.00 | \$448.00 |
| RV-IBFS-1000-PS | Inbuilt Fridge Slide - flush fitting 1000L (Passenger Side) Premium drawers only | | \$448.00 | \$448.00 |
| PS/PA-RV-FS-1 | Heavy Duty Fridge Slide - 750L x 455W x 80H (external incl. Travel Lock) | | \$472.00 | \$522.00 |
| PS-RV-FS-1-SO | Heavy Duty Fridge Slide - 450L x 770W x 110H (external incl. Travel Lock) | | \$472.00 | N/A |
| PS/PA-RV-FS-1.5 | Heavy Duty Fridge Slide - 750L x 530W x 80H (external incl. Travel Lock) | | \$520.00 | \$570.00 |
| PS/PA-RV-FS-2 | Heavy Duty Fridge Slide - 850L x 560W x 80H (external incl. Travel Lock) | | \$567.00 | \$617.00 |
| PS-RV-FS-2-SO | Heavy Duty Fridge Slide - 550L x 870W x 110H (external incl. Travel Lock) | | \$567.00 | N/A |
| PS/PA-RV-FS-2.25 | Heavy Duty Fridge Slide - 950L x 560W x 80H (external incl. Travel Lock) | | \$590.00 | \$640.00 |
| <p>Cargo Shelf Single uses the same 700L shelf as Prado due to the 1000L x 970 format drawer size being unique to this vehicle. EvaKool Fridge Drawer Combo not available Trade Height Not Available Travel Slide Drawers available on page 181</p> | | | | |

| VEHICLE MAKE MODEL | NISSAN D22 NAVARA Dual Cab STR (1997-2007) - 1300x1020 NO TUB LINER | NISSAN | |
|---|--|------------|------------|
| PA: Premium Alloy PS: Premium Steel EL: EcoLite | TRADE HEIGHT DRAWERS +\$100 PER DRAWER | | |
| | PREMBLK: PREMIUM BLACK RRP +180.00 (option) | | |
| | DESCRIPTION (PRICES INCLUDE WING KIT UNLESS OTHERWISE STATED) | PS RRP | PA RRP |
| PS/PA-010501-135127-SSL | Single Drawer & Wing Kit - Standard Height to Passenger Side 1300L x 510W x 275H | \$1,460.00 | \$1,610.00 |
| PS/PA-010501-135127-SSR | Single Drawer & Wing Kit - Standard Height to Driver Side 1300L x 510W x 275H | \$1,460.00 | \$1,610.00 |
| PS/PA-010501-135136-SHL | Single Drawer & Wing Kit - Trade Height to Passenger Side 1300L x 510W x 365H | \$1,560.00 | \$1,710.00 |
| PS/PA-010501-135136-SHR | Single Drawer & Wing Kit - Trade Height to Driver Side 1300L x 510W x 365H | \$1,560.00 | \$1,710.00 |
| EL-010501-131227-TDS | EcoLite Twin Drawer & Wing Kit - Standard Height 1300L x 1020W x 275H | \$2,020.00 | N/A |
| PS/PA-010501-131227-TDS | Twin Drawer & Wing Kit - Standard Height 1300L x 1020W x 275H | \$2,815.00 | \$3,115.00 |
| PS/PA-010501-131236-TDH | Twin Drawer & Wing Kit - Trade Height 1300L x 1020W x 365H | \$3,015.00 | \$3,315.00 |
| PS/PA-010501-131230-FDC-E/D | Fridge Drawer Combo with 30L Engel/Dometic Fitkit - 1300L x 1020W x 300H **Fridge not included Liftout Hatch provided to access space behind the fridge (100mm narrower if tie downs added to top) - 483L x 431W | \$2,635.00 | \$2,785.00 |
| PS/PA-010501-131236-FDC-EK | Fridge Drawer Combo with 40L EvaKool Fitkit - 1300L x 1020W x 365H **Fridge not included Liftout Hatch provided to access space behind the fridge (100mm narrower if tie downs added to top) - 483L x 560W | \$2,745.00 | \$2,895.00 |
| PS/PA-010501-131236-FDC-IM | Fridge Drawer Combo with 40L Ironman Fitkit - 1300L x 1020W x 365H **Fridge not included Liftout Hatch provided to access space behind the fridge (100mm narrower if tie downs added to top) - 483L x 510W | \$2,745.00 | \$2,895.00 |
| PS/PA-010501-131236-FDC-BM | Fridge Drawer Combo with 30L Bushman Fitkit - 1300L x 1020W x 365H **Fridge not included Liftout Hatch provided to access space behind the fridge (100mm narrower if tie downs added to top) - 483L x 431W | \$2,745.00 | \$2,895.00 |
| PS/PA-010501-131227-1SL | Easy Access Combo 1 & Wing Kit - Small Low Platform to Passenger Side (Gap size 510W). Single Drawer O/A 1300L x 510W x 275H. Total Combo O/A 1300L x 1020W x 275H. (Suits RV-FS-1 *Not Included) | \$2,355.00 | \$2,505.00 |
| PS/PA-010501-131227-1SR | Easy Access Combo 1 & Wing Kit - Small Low Platform to Driver Side (Gap size 510W). Single Drawer O/A 1300L x 510W x 275H. Total Combo O/A 1300L x 1020W x 275H. (Suits RV-FS-1 *Not Included) | \$2,355.00 | \$2,505.00 |
| PS/PA-010501-131227-1LL | Easy Access Combo 1 & Wing Kit - Large Low Platform to Passenger Side (Gap size 570W). Single Drawer O/A 1300L x 450W x 275H. Total Combo O/A 1300L x 1020W x 275H. (Suits all RV-FS listed below except SO *Not Included) | \$2,355.00 | \$2,505.00 |
| PS/PA-010501-131227-1LR | Easy Access Combo 1 & Wing Kit - Large Low Platform to Driver Side (Gap size 570W). Single Drawer O/A 1300L x 450W x 275H. Total Combo O/A 1300L x 1020W x 275H. (Suits all RV-FS listed below except SO *Not Included) | \$2,355.00 | \$2,505.00 |
| PS/PA-010501-131227-2SL | Easy Access Combo 2 & Wing Kit - Small Low Platform to Passenger Side (Gap size 510W). Double Stacked Drawers (Standard Height Bottom Drawer O/A 1300L x 510W x 275H, Trade Height Top Drawer O/A 1100L x 510W x 365H). Total Combo O/A 1300L x 1020W x 640H. (Suits RV-FS-1 *Not Included). Optional 1100L Standard Height top drawer minus -\$100.00 | \$3,045.00 | \$3,345.00 |
| PS/PA-010501-131227-2SR | Easy Access Combo 2 & Wing Kit - Small Low Platform to Driver Side (Gap size 510W). Double Stacked Drawers (Standard Height Bottom Drawer O/A 1300L x 510W x 275H, Trade Height Top Drawer O/A 1100L x 510W x 365H). Total Combo O/A 1300L x 1020W x 640H. (Suits RV-FS-1 *Not Included). Optional 1100L Standard Height top drawer minus -\$100.00 | \$3,045.00 | \$3,345.00 |
| PS/PA-010501-131227-2LL | Easy Access Combo 2 & Wing Kit - Large Low Platform to Passenger Side (Gap size 570W). Double Stacked Drawers (Standard Height Bottom Drawer O/A 1300L x 450W x 275H, Trade Height Top Drawer O/A 1100L x 450W x 365H). Total Combo O/A 1300L x 1020W x 640H. (Suits all RV-FS listed below except SO *Not Included). Optional 1100L Standard Height top drawer minus -\$100.00 | \$3,045.00 | \$3,345.00 |
| PS/PA-010501-131227-2LR | Easy Access Combo 2 & Wing Kit - Large Low Platform to Driver Side (Gap size 570W). Double Stacked Drawers (Standard Height Bottom Drawer O/A 1300L x 450W x 275H, Trade Height Top Drawer O/A 1100L x 450W x 365H). Total Combo O/A 1300L x 1020W x 640H. (Suits all RV-FS listed below except SO *Not Included). Optional 1100L Standard Height top drawer minus -\$100.00 | \$3,045.00 | \$3,345.00 |
| RV-EAC-IFP-1300 | Easy Access Combo INFILL PANEL - covers fridge slide cavity to create a flat solid top effect (NOTE: top drawer must be removed on EAC-2 systems) | \$224.00 | N/A |
| RV-CS-0851-00 | Cargo Shelf single - 800L Ventilated side panel and solid top shelf to fit FS-1 (small fridge space) Suits EAC-1 x 1300L x 1020W | \$520.00 | N/A |
| RV-CS-0857-00 | Cargo Shelf single - 800L Ventilated side panel and solid top shelf to fit FS1.5 & FS-2 (large fridge space) Suits EAC-1 x 1300L x 1020W | \$520.00 | N/A |
| RV-CS-0812-00 | Cargo Shelf double - 800L Ventilated side panel and solid top shelf system. Fits EAC-2 1300L x 1020W fitted with a Trade Height top | \$567.00 | N/A |
| RV-IBFS-1300-DS | Inbuilt Fridge Slide - flush fitting 1300L (Driver Side) <i>Premium drawers only</i> | \$472.00 | N/A |
| RV-IBFS-1300-PS | Inbuilt Fridge Slide - flush fitting 1300L (Passenger Side) <i>Premium drawers only</i> | \$472.00 | N/A |
| PS/PA-RV-FS-1 | Heavy Duty Fridge Slide - 750L x 455W x 80H (external incl. Travel Lock) | \$472.00 | \$522.00 |
| PS-RV-FS-1-SO | Heavy Duty Fridge Slide - 450L x 770W x 110H (external incl. Travel Lock) | \$472.00 | N/A |
| PS/PA-RV-FS-1.5 | Heavy Duty Fridge Slide - 750L x 530W x 80H (external incl. Travel Lock) | \$520.00 | \$570.00 |
| PS/PA-RV-FS-2 | Heavy Duty Fridge Slide - 850L x 560W x 80H (external incl. Travel Lock) | \$567.00 | \$617.00 |
| PS-RV-FS-2-SO | Heavy Duty Fridge Slide - 550L x 870W x 110H (external incl. Travel Lock) | \$567.00 | N/A |
| PS/PA-RV-FS-2.25 | Heavy Duty Fridge Slide - 950L x 560W x 80H (external incl. Travel Lock) | \$590.00 | \$640.00 |
| PS/PA-RV-FS-2.5 | Heavy Duty Fridge Slide - 1050L x 560W x 80H (external incl. Travel Lock) | \$685.00 | \$735.00 |

Travel Slide Drawers available on page 181
Inbuilt Fridge Slides N/A for alloy drawers

| VEHICLE MAKE MODEL | NISSAN D22 NAVARA Dual Cab STR (2008+) - 1400x1020 NO TUB LINER | | |
|---|--|------------|------------|
| PA: Premium Alloy PS: Premium Steel EL: EcoLite | TRADE HEIGHT DRAWERS +\$100 PER DRAWER | | |
| | PREMBLK: PREMIUM BLACK RRP +180.00 (option) | | |
| | DESCRIPTION (PRICES INCLUDE WING KIT UNLESS OTHERWISE STATED) | PS RRP | PA RRP |
| PS/PA-010502-145127-SSL | Single Drawer & Wing Kit - Standard Height to Passenger Side 1400L x 510W x 275H | \$1,485.00 | \$1,635.00 |
| PS/PA-010502-145127-SSR | Single Drawer & Wing Kit - Standard Height to Driver Side 1400L x 510W x 275H | \$1,485.00 | \$1,635.00 |
| PS/PA-010502-145136-SHL | Single Drawer & Wing Kit - Trade Height to Passenger Side 1400L x 510W x 365H | \$1,585.00 | \$1,735.00 |
| PS/PA-010502-145136-SHR | Single Drawer & Wing Kit - Trade Height to Driver Side 1400L x 510W x 365H | \$1,585.00 | \$1,735.00 |
| EL-010502-141227-TDS | EcoLite Twin Drawer & Wing Kit - Standard Height 1400L x 1020W x 275H | \$2,080.00 | N/A |
| PS/PA-010502-141227-TDS | Twin Drawer & Wing Kit - Standard Height 1400L x 1020W x 275H | \$2,870.00 | \$3,170.00 |
| PS/PA-010502-141236-TDH | Twin Drawer & Wing Kit - Trade Height 1400L x 1020W x 365H | \$3,070.00 | \$3,370.00 |
| PS/PA-010502-141230-FDC-E/D | Fridge Drawer Combo with 30L Engel/Dometic Fitkit - 1400L x 1020W x 300H **Fridge not included Liftout Hatch provided to access space behind the fridge (100mm narrower if tie downs added to top) - 583L x 431W | \$2,690.00 | \$2,840.00 |
| PS/PA-010502-141236-FDC-EK | Fridge Drawer Combo with 40L EvaKool Fitkit - 1400L x 1020W x 365H **Fridge not included Liftout Hatch provided to access space behind the fridge (100mm narrower if tie downs added to top) - 583L x 560W | \$2,800.00 | \$2,950.00 |
| PS/PA-010502-141236-FDC-IM | Fridge Drawer Combo with 40L Ironman Fitkit - 1400L x 1020W x 365H **Fridge not included Liftout Hatch provided to access space behind the fridge (100mm narrower if tie downs added to top) - 583L x 510W | \$2,800.00 | \$2,950.00 |
| PS/PA-010502-141236-FDC-BM | Fridge Drawer Combo with 30L Bushman Fitkit - 1400L x 1020W x 365H **Fridge not included Liftout Hatch provided to access space behind the fridge (100mm narrower if tie downs added to top) - 583L x 431W | \$2,800.00 | \$2,950.00 |
| PS/PA-010502-141227-1SL | Easy Access Combo 1 & Wing Kit - Small Low Platform to Passenger Side (Gap size 510W). Single Drawer O/A 1400L x 510W x 275H. Total Combo O/A 1400L x 1020W x 275H. (Suits RV-FS-1 or 3 *Not Included) | \$2,410.00 | \$2,560.00 |
| PS/PA-010502-141227-1SR | Easy Access Combo 1 & Wing Kit - Small Low Platform to Driver Side (Gap size 510W). Single Drawer O/A 1400L x 510W x 275H. Total Combo O/A 1400L x 1020W x 275H. (Suits RV-FS-1 or 3 *Not Included) | \$2,410.00 | \$2,560.00 |
| PS/PA-010502-141227-1LL | Easy Access Combo 1 & Wing Kit - Large Low Platform to Passenger Side (Gap size 570W). Single Drawer O/A 1400L x 450W x 275H. Total Combo O/A 1400L x 1020W x 275H. (Suits all RV-FS listed below except SO *Not Included) | \$2,410.00 | \$2,560.00 |
| PS/PA-010502-141227-1LR | Easy Access Combo 1 & Wing Kit - Large Low Platform to Driver Side (Gap size 570W). Single Drawer O/A 1400L x 450W x 275H. Total Combo O/A 1400L x 1020W x 275H. (Suits all RV-FS listed below except SO *Not Included) | \$2,410.00 | \$2,560.00 |
| PS/PA-010502-141227-2SL | Easy Access Combo 2 & Wing Kit - Small Low Platform to Passenger Side (Gap size 510W). Double Stacked Drawers (Standard Height Bottom Drawer O/A 1400L x 510W x 275H, Trade Height Top Drawer O/A 1100L x 510W x 365H). Total Combo O/A 1400L x 1020W x 640H. (Suits RV-FS-1 or 3 *Not Included). Optional 1100L Standard Height top drawer minus -\$100.00 | \$3,100.00 | \$3,400.00 |
| PS/PA-010502-141227-2SR | Easy Access Combo 2 & Wing Kit - Small Low Platform to Driver Side (Gap size 510W). Double Stacked Drawers (Standard Height Bottom Drawer O/A 1400L x 510W x 275H, Trade Height Top Drawer O/A 1100L x 510W x 365H). Total Combo O/A 1400L x 1020W x 640H. (Suits RV-FS-1 or 3 *Not Included). Optional 1100L Standard Height top drawer minus -\$100.00 | \$3,100.00 | \$3,400.00 |
| PS/PA-010502-141227-2LL | Easy Access Combo 2 & Wing Kit - Large Low Platform to Passenger Side (Gap size 570W). Double Stacked Drawers (Standard Height Bottom Drawer O/A 1400L x 450W x 275H, Trade Height Top Drawer O/A 1100L x 450W x 365H). Total Combo O/A 1400L x 1020W x 640H. (Suits all RV-FS listed below except SO *Not Included). Optional 1100L Standard Height top drawer minus -\$100.00 | \$3,100.00 | \$3,400.00 |
| PS/PA-010502-141227-2LR | Easy Access Combo 2 & Wing Kit - Large Low Platform to Driver Side (Gap size 570W). Double Stacked Drawers (Standard Height Bottom Drawer O/A 1400L x 450W x 275H, Trade Height Top Drawer O/A 1100L x 450W x 365H). Total Combo O/A 1400L x 1020W x 640H. (Suits all RV-FS listed below except SO *Not Included). Optional 1100L Standard Height top drawer minus -\$100.00 | \$3,100.00 | \$3,400.00 |
| RV-EAC-IFP-1400 | Easy Access Combo INFILL PANEL - covers fridge slide cavity to create a flat solid top effect (NOTE: top drawer must be removed on EAC-2 systems) | \$224.00 | N/A |
| RV-CS-1451-00 | Cargo Shelf single - 1400L Ventilated side panel and solid top shelf to fit FS-1 (small fridge space) Suits EAC-1 1400L x 1020W | \$803.00 | N/A |
| RV-CS-1457-00 | Cargo Shelf single - 1400L Ventilated side panel and solid top shelf to fit FS1.5 & FS-2 (large fridge space) Suits EAC-1 1400L x 1020W | \$803.00 | N/A |
| RV-CS-0812-00 | Cargo Shelf double - 800L Ventilated side panel and solid top shelf system. Fits EAC-2 1400L x 1020W fitted with a Trade Height top drawer | \$567.00 | N/A |
| RV-IBFS-1300-DS | Inbuilt Fridge Slide - flush fitting 1300L (Driver Side) <i>Premium drawers only</i> | \$472.00 | N/A |
| RV-IBFS-1300-PS | Inbuilt Fridge Slide - flush fitting 1300L (Passenger Side) <i>Premium drawers only</i> | \$472.00 | N/A |
| PS/PA-RV-FS-1 | Heavy Duty Fridge Slide - 750L x 455W x 80H (external incl. Travel Lock) | \$472.00 | \$522.00 |
| PS-RV-FS-1-SO | Heavy Duty Fridge Slide - 450L x 770W x 110H (external incl. Travel Lock) | \$472.00 | N/A |
| PS/PA-RV-FS-1.5 | Heavy Duty Fridge Slide - 750L x 530W x 80H (external incl. Travel Lock) | \$520.00 | \$570.00 |
| PS/PA-RV-FS-2 | Heavy Duty Fridge Slide - 850L x 560W x 80H (external incl. Travel Lock) | \$567.00 | \$617.00 |
| PS-RV-FS-2-SO | Heavy Duty Fridge Slide - 550L x 870W x 110H (external incl. Travel Lock) | \$567.00 | N/A |
| PS/PA-RV-FS-2.25 | Heavy Duty Fridge Slide - 950L x 560W x 80H (external incl. Travel Lock) | \$590.00 | \$640.00 |
| PS/PA-RV-FS-2.5 | Heavy Duty Fridge Slide - 1050L x 560W x 80H (external incl. Travel Lock) | \$685.00 | \$735.00 |
| PS/PA-RV-FS-3 | Heavy Duty Fridge Slide - 1410L x 455W x 80H (external incl. Travel Lock) | \$886.00 | \$961.00 |
| PS/PA-RV-FS-3.5 | Heavy Duty Fridge Slide - 1410L x 560W x 80H (external incl. Travel Lock) | \$886.00 | \$961.00 |

Travel Slide Drawers available on page 181
 Inbuilt Fridge Slides N/A for alloy drawers

| VEHICLE MAKE MODEL | NISSAN D40 NAVARA Dual Cab ST-X (DEC 2005 - MAR 2011) Series 1-4 NO LINER Dual Cab RX (DEC 2005 - MAR 2011)Series 1-5 NO LINER Dual Cab ST-X 550 (MAR 2011+) Standard LINER TITANIUM (NOV 2011+) Series 6+ Spanish Built LINER - 1400x1020 | | |
|---|--|------------|------------|
| PA: Premium Alloy PS: Premium Steel EL: EcoLite | TRADE HEIGHT DRAWERS +\$100 PER DRAWER | | |
| | PREMLBK: PREMIUM BLACK RRP +180.00 (option) | | |
| | DESCRIPTION (PRICES INCLUDE WING KIT UNLESS OTHERWISE STATED) | PS RRP | PA RRP |
| PS/PA-010601-145127-SSL | Single Drawer & Wing Kit - Standard Height to Passenger Side 1400L x 510W x 275H | \$1,485.00 | \$1,635.00 |
| PS/PA-010601-145127-SSR | Single Drawer & Wing Kit - Standard Height to Driver Side 1400L x 510W x 275H | \$1,485.00 | \$1,635.00 |
| PS/PA-010601-145136-SHL | Single Drawer & Wing Kit - Trade Height to Passenger Side 1400L x 510W x 365H | \$1,585.00 | \$1,735.00 |
| PS/PA-010601-145136-SHR | Single Drawer & Wing Kit - Trade Height to Driver Side 1400L x 510W x 365H | \$1,585.00 | \$1,735.00 |
| EL-010601-141227-TDS | EcoLite Twin Drawer & Wing Kit - Standard Height 1400L x 1020W x 275H | \$2,080.00 | N/A |
| PS/PA-010601-141227-TDS | Twin Drawer & Wing Kit - Standard Height 1400L x 1020W x 275H | \$2,870.00 | \$3,170.00 |
| PS/PA-010601-141236-TDH | Twin Drawer & Wing Kit - Trade Height 1400L x 1020W x 365H | \$3,070.00 | \$3,370.00 |
| PS/PA-010601-141230-FDC-E/D | Fridge Drawer Combo with 30L Engel/Dometic Fitkit - 1400L x 1020W x 300H **Fridge not included Liftout Hatch provided to access space behind the fridge (100mm narrower if tie downs added to top) - 583L x 431W | \$2,690.00 | \$2,840.00 |
| PS/PA-010601-141236-FDC-EK | Fridge Drawer Combo with 40L EvaKool Fitkit - 1400L x 1020W x 365H **Fridge not included Liftout Hatch provided to access space behind the fridge (100mm narrower if tie downs added to top) - 583L x 560W | \$2,800.00 | \$2,950.00 |
| PS/PA-010601-141236-FDC-IM | Fridge Drawer Combo with 40L Ironman Fitkit - 1400L x 1020W x 365H **Fridge not included Liftout Hatch provided to access space behind the fridge (100mm narrower if tie downs added to top) - 583L x 510W | \$2,800.00 | \$2,950.00 |
| PS/PA-010601-141236-FDC-BM | Fridge Drawer Combo with 30L Bushman Fitkit - 1400L x 1020W x 365H **Fridge not included Liftout Hatch provided to access space behind the fridge (100mm narrower if tie downs added to top) - 583L x 431W | \$2,800.00 | \$2,950.00 |
| PS/PA-010601-141227-1SL | Easy Access Combo 1 & Wing Kit - Small Low Platform to Passenger Side (Gap size 510W). Single Drawer O/A 1400L x 510W x 275H. Total Combo O/A 1400L x 1020W x 275H. (Suits RV-FS-1 or 3 *Not Included) | \$2,410.00 | \$2,560.00 |
| PS/PA-010601-141227-1SR | Easy Access Combo 1 & Wing Kit - Small Low Platform to Driver Side (Gap size 510W). Single Drawer O/A 1400L x 510W x 275H. Total Combo O/A 1400L x 1020W x 275H. (Suits RV-FS-1 or 3 *Not Included) | \$2,410.00 | \$2,560.00 |
| PS/PA-010601-141227-1LL | Easy Access Combo 1 & Wing Kit - Large Low Platform to Passenger Side (Gap size 570W). Single Drawer O/A 1400L x 450W x 275H. Total Combo O/A 1400L x 1020W x 275H. (Suits all RV-FS listed below except SO *Not Included) | \$2,410.00 | \$2,560.00 |
| PS/PA-010601-141227-1LR | Easy Access Combo 1 & Wing Kit - Large Low Platform to Driver Side (Gap size 570W). Single Drawer O/A 1400L x 450W x 275H. Total Combo O/A 1400L x 1020W x 275H. (Suits all RV-FS listed below except SO *Not Included) | \$2,410.00 | \$2,560.00 |
| PS/PA-010601-141227-2SL | Easy Access Combo 2 & Wing Kit - Small Low Platform to Passenger Side (Gap size 510W). Double Stacked Drawers (Standard Height Bottom Drawer O/A 1400L x 510W x 275H, Trade Height Top Drawer O/A 1100L x 510W x 365H). Total Combo O/A 1400L x 1020W x 640H. (Suits RV-FS-1 or 3 *Not Included). Optional 1100L Standard Height top drawer minus -\$100.00 | \$3,100.00 | \$3,400.00 |
| PS/PA-010601-141227-2SR | Easy Access Combo 2 & Wing Kit - Small Low Platform to Driver Side (Gap size 510W). Double Stacked Drawers (Standard Height Bottom Drawer O/A 1400L x 510W x 275H, Trade Height Top Drawer O/A 1100L x 510W x 365H). Total Combo O/A 1400L x 1020W x 640H. (Suits RV-FS-1 or 3 *Not Included). Optional 1100L Standard Height top drawer minus -\$100.00 | \$3,100.00 | \$3,400.00 |
| PS/PA-010601-141227-2LL | Easy Access Combo 2 & Wing Kit - Large Low Platform to Passenger Side (Gap size 570W). Double Stacked Drawers (Standard Height Bottom Drawer O/A 1400L x 450W x 275H, Trade Height Top Drawer O/A 1100L x 450W x 365H). Total Combo O/A 1400L x 1020W x 640H. (Suits all RV-FS listed below except SO *Not Included). Optional 1100L Standard Height top drawer minus -\$100.00 | \$3,100.00 | \$3,400.00 |
| PS/PA-010601-141227-2LR | Easy Access Combo 2 & Wing Kit - Large Low Platform to Driver Side (Gap size 570W). Double Stacked Drawers (Standard Height Bottom Drawer O/A 1400L x 450W x 275H, Trade Height Top Drawer O/A 1100L x 450W x 365H). Total Combo O/A 1400L x 1020W x 640H. (Suits all RV-FS listed below except SO *Not Included). Optional 1100L Standard Height top drawer minus -\$100.00 | \$3,100.00 | \$3,400.00 |
| RV-EAC-IFP-1400 | Easy Access Combo INFILL PANEL - covers fridge slide cavity to create a flat solid top effect (NOTE: top drawer must be removed on EAC-2 systems) | \$224.00 | N/A |
| RV-CS-1451-00 | Cargo Shelf single - 1400L Ventilated side panel and solid top shelf to fit FS-1 (small fridge space) Suits EAC-1 1400L x 1020W | \$803.00 | N/A |
| RV-CS-1457-00 | Cargo Shelf single - 1400L Ventilated side panel and solid top shelf to fit FS1.5 & FS-2 (large fridge space) Suits EAC-1 1400L x 1020W | \$803.00 | N/A |
| RV-CS-0812-00 | Cargo Shelf double - 800L Ventilated side panel and solid top shelf system. Fits EAC-2 1400L x 1020W fitted with a Trade Height top drawer | \$567.00 | N/A |
| RV-IBFS-1300-DS | Inbuilt Fridge Slide - flush fitting 1300L (Driver Side) <i>Premium drawers only</i> | \$472.00 | N/A |
| RV-IBFS-1300-PS | Inbuilt Fridge Slide - flush fitting 1300L (Passenger Side) <i>Premium drawers only</i> | \$472.00 | N/A |
| PS/PA-RV-FS-1 | Heavy Duty Fridge Slide - 750L x 455W x 80H (external incl. Travel Lock) | \$472.00 | \$522.00 |
| PS-RV-FS-1-SO | Heavy Duty Fridge Slide - 450L x 770W x 110H (external incl. Travel Lock) | \$472.00 | N/A |
| PS/PA-RV-FS-1.5 | Heavy Duty Fridge Slide - 750L x 530W x 80H (external incl. Travel Lock) | \$520.00 | \$570.00 |
| PS/PA-RV-FS-2 | Heavy Duty Fridge Slide - 850L x 560W x 80H (external incl. Travel Lock) | \$567.00 | \$617.00 |
| PS-RV-FS-2-SO | Heavy Duty Fridge Slide - 550L x 870W x 110H (external incl. Travel Lock) | \$567.00 | N/A |
| PS/PA-RV-FS-2.25 | Heavy Duty Fridge Slide - 950L x 560W x 80H (external incl. Travel Lock) | \$590.00 | \$640.00 |
| PS/PA-RV-FS-2.5 | Heavy Duty Fridge Slide - 1050L x 560W x 80H (external incl. Travel Lock) | \$685.00 | \$735.00 |
| PS/PA-RV-FS-3 | Heavy Duty Fridge Slide - 1410L x 455W x 80H (external incl. Travel Lock) | \$886.00 | \$961.00 |
| PS/PA-RV-FS-3.5 | Heavy Duty Fridge Slide - 1410L x 560W x 80H (external incl. Travel Lock) | \$886.00 | \$961.00 |

Travel Slide Drawers available on page 181
Inbuilt Fridge Slides N/A for alloy drawers

| VEHICLE MAKE MODEL | NISSAN D40 NAVARA Dual Cab ST-X (Dec 2005+) Series 1-4 LINER Dual Cab ST-X (Nov 2011+) Series 5 + LINER Dual Cab ST (Nov 2011+) Series 6 + Spanish Built LINER - 1400x1020 NISSAN | | |
|---|--|------------|------------|
| PA: Premium Alloy PS: Premium Steel EL: EcoLite | TRADE HEIGHT DRAWERS +\$100 PER DRAWER | | |
| | PREMBLK: PREMIUM BLACK RRP +180.00 (option) | | |
| | DESCRIPTION (PRICES INCLUDE WING KIT UNLESS OTHERWISE STATED) | PS RRP | PA RRP |
| PS/PA-010602-145127-SSL | Single Drawer & Wing Kit - Standard Height to Passenger Side 1400L x 510W x 275H | \$1,485.00 | \$1,635.00 |
| PS/PA-010602-145127-SSR | Single Drawer & Wing Kit - Standard Height to Driver Side 1400L x 510W x 275H | \$1,485.00 | \$1,635.00 |
| PS/PA-010602-145136-SHL | Single Drawer & Wing Kit - Trade Height to Passenger Side 1400L x 510W x 365H | \$1,585.00 | \$1,735.00 |
| PS/PA-010602-145136-SHR | Single Drawer & Wing Kit - Trade Height to Driver Side 1400L x 510W x 365H | \$1,585.00 | \$1,735.00 |
| EL-010602-141227-TDS | EcoLite Twin Drawer & Wing Kit - Standard Height 1400L x 1020W x 275H | \$2,080.00 | N/A |
| PS/PA-010602-141227-TDS | Twin Drawer & Wing Kit - Standard Height 1400L x 1020W x 275H | \$2,870.00 | \$3,170.00 |
| PS/PA-010602-141236-TDH | Twin Drawer & Wing Kit - Trade Height 1400L x 1020W x 365H | \$3,070.00 | \$3,370.00 |
| PS/PA-010602-141230-FDC-E/D | Fridge Drawer Combo with 30L Engel/Dometic Fitkit - 1400L x 1020W x 300H **Fridge not included Liftout Hatch provided to access space behind the fridge (100mm narrower if tie downs added to top) - 583L x 431W | \$2,690.00 | \$2,840.00 |
| PS/PA-010602-141236-FDC-EK | Fridge Drawer Combo with 40L EvaKool Fitkit - 1400L x 1020W x 365H **Fridge not included Liftout Hatch provided to access space behind the fridge (100mm narrower if tie downs added to top) - 583L x 560W | \$2,800.00 | \$2,950.00 |
| PS/PA-010602-141236-FDC-IM | Fridge Drawer Combo with 40L Ironman Fitkit - 1400L x 1020W x 365H **Fridge not included Liftout Hatch provided to access space behind the fridge (100mm narrower if tie downs added to top) - 583L x 510W | \$2,800.00 | \$2,950.00 |
| PS/PA-010602-141236-FDC-BM | Fridge Drawer Combo with 30L Bushman Fitkit - 1400L x 1020W x 365H **Fridge not included Liftout Hatch provided to access space behind the fridge (100mm narrower if tie downs added to top) - 583L x 431W | \$2,800.00 | \$2,950.00 |
| PS/PA-010602-141227-1SL | Easy Access Combo 1 & Wing Kit - Small Low Platform to Passenger Side (Gap size 510W). Single Drawer O/A 1400L x 510W x 275H. Total Combo O/A 1400L x 1020W x 275H. (Suits RV-FS-1 or 3 *Not Included) | \$2,410.00 | \$2,560.00 |
| PS/PA-010602-141227-1SR | Easy Access Combo 1 & Wing Kit - Small Low Platform to Driver Side (Gap size 510W). Single Drawer O/A 1400L x 510W x 275H. Total Combo O/A 1400L x 1020W x 275H. (Suits RV-FS-1 or 3 *Not Included) | \$2,410.00 | \$2,560.00 |
| PS/PA-010602-141227-1LL | Easy Access Combo 1 & Wing Kit - Large Low Platform to Passenger Side (Gap size 570W). Single Drawer O/A 1400L x 450W x 275H. Total Combo O/A 1400L x 1020W x 275H. (Suits all RV-FS listed below except SO *Not Included) | \$2,410.00 | \$2,560.00 |
| PS/PA-010602-141227-1LR | Easy Access Combo 1 & Wing Kit - Large Low Platform to Driver Side (Gap size 570W). Single Drawer O/A 1400L x 450W x 275H. Total Combo O/A 1400L x 1020W x 275H. (Suits all RV-FS listed below except SO *Not Included) | \$2,410.00 | \$2,560.00 |
| PS/PA-010602-141227-2SL | Easy Access Combo 2 & Wing Kit - Small Low Platform to Passenger Side (Gap size 510W). Double Stacked Drawers (Standard Height Bottom Drawer O/A 1400L x 510W x 275H, Trade Height Top Drawer O/A 1100L x 510W x 365H). Total Combo O/A 1400L x 1020W x 640H. (Suits RV-FS-1 or 3 *Not Included). Optional 1100L Standard Height top drawer minus -\$100.00 | \$3,100.00 | \$3,400.00 |
| PS/PA-010602-141227-2SR | Easy Access Combo 2 & Wing Kit - Small Low Platform to Driver Side (Gap size 510W). Double Stacked Drawers (Standard Height Bottom Drawer O/A 1400L x 510W x 275H, Trade Height Top Drawer O/A 1100L x 510W x 365H). Total Combo O/A 1400L x 1020W x 640H. (Suits RV-FS-1 or 3 *Not Included). Optional 1100L Standard Height top drawer minus -\$100.00 | \$3,100.00 | \$3,400.00 |
| PS/PA-010602-141227-2LL | Easy Access Combo 2 & Wing Kit - Large Low Platform to Passenger Side (Gap size 570W). Double Stacked Drawers (Standard Height Bottom Drawer O/A 1400L x 450W x 275H, Trade Height Top Drawer O/A 1100L x 450W x 365H). Total Combo O/A 1400L x 1020W x 640H. (Suits all RV-FS listed below except SO *Not Included). Optional 1100L Standard Height top drawer minus -\$100.00 | \$3,100.00 | \$3,400.00 |
| PS/PA-010602-141227-2LR | Easy Access Combo 2 & Wing Kit - Large Low Platform to Driver Side (Gap size 570W). Double Stacked Drawers (Standard Height Bottom Drawer O/A 1400L x 450W x 275H, Trade Height Top Drawer O/A 1100L x 450W x 365H). Total Combo O/A 1400L x 1020W x 640H. (Suits all RV-FS listed below except SO *Not Included). Optional 1100L Standard Height top drawer minus -\$100.00 | \$3,100.00 | \$3,400.00 |
| RV-EAC-IFP-1400 | Easy Access Combo INFILL PANEL - covers fridge slide cavity to create a flat solid top effect (NOTE: top drawer must be removed on EAC-2 systems) | \$224.00 | N/A |
| RV-CS-1451-00 | Cargo Shelf single - 1400L Ventilated side panel and solid top shelf to fit FS-1 (small fridge space) Suits EAC-1 1400L x 1020W | \$803.00 | N/A |
| RV-CS-1457-00 | Cargo Shelf single - 1400L Ventilated side panel and solid top shelf to fit FS1.5 & FS-2 (large fridge space) Suits EAC-1 1400L x 1020W | \$803.00 | N/A |
| RV-CS-0812-00 | Cargo Shelf double - 800L Ventilated side panel and solid top shelf system. Fits EAC-2 1400L x 1020W fitted with a Trade Height top drawer | \$567.00 | N/A |
| RV-IBFS-1300-DS | Inbuilt Fridge Slide - flush fitting 1300L (Driver Side) Premium drawers only | \$472.00 | N/A |
| RV-IBFS-1300-PS | Inbuilt Fridge Slide - flush fitting 1300L (Passenger Side) Premium drawers only | \$472.00 | N/A |
| PS/PA-RV-FS-1 | Heavy Duty Fridge Slide - 750L x 455W x 80H (external incl. Travel Lock) | \$472.00 | \$522.00 |
| PS-RV-FS-1-SO | Heavy Duty Fridge Slide - 450L x 770W x 110H (external incl. Travel Lock) | \$472.00 | N/A |
| PS/PA-RV-FS-1.5 | Heavy Duty Fridge Slide - 750L x 530W x 80H (external incl. Travel Lock) | \$520.00 | \$570.00 |
| PS/PA-RV-FS-2 | Heavy Duty Fridge Slide - 850L x 560W x 80H (external incl. Travel Lock) | \$567.00 | \$617.00 |
| PS-RV-FS-2-SO | Heavy Duty Fridge Slide - 550L x 870W x 110H (external incl. Travel Lock) | \$567.00 | N/A |
| PS/PA-RV-FS-2.25 | Heavy Duty Fridge Slide - 950L x 560W x 80H (external incl. Travel Lock) | \$590.00 | \$640.00 |
| PS/PA-RV-FS-2.5 | Heavy Duty Fridge Slide - 1050L x 560W x 80H (external incl. Travel Lock) | \$685.00 | \$735.00 |
| PS/PA-RV-FS-3 | Heavy Duty Fridge Slide - 1410L x 455W x 80H (external incl. Travel Lock) | \$886.00 | \$961.00 |
| PS/PA-RV-FS-3.5 | Heavy Duty Fridge Slide - 1410L x 560W x 80H (external incl. Travel Lock) | \$886.00 | \$961.00 |
| Travel Slide Drawers available on page 181 Inbuilt Fridge Slides N/A for alloy drawers | | | |

| VEHICLE MAKE MODEL | | NISSAN | | |
|---|--|--|------------|--|
| NISSAN D40 NAVARA Dual Cab ST-X (Nov 2011+) Series 5 + Spanish Built NO LINER Dual Cab ST (Nov 2011+) Series 6 + Spanish Built NO LINER - 1400x1020 | | NISSAN | | |
| PA: Premium Alloy PS: Premium Steel EL: EcoLite | | TRADE HEIGHT DRAWERS +\$100 PER DRAWER | | |
| | | PREMBLK: PREMIUM BLACK RRP +180.00 (option) | | |
| DESCRIPTION (PRICES INCLUDE WING KIT UNLESS OTHERWISE STATED) | | PS RRP | PA RRP | |
| PS/PA-010603-145127-SSL | Single Drawer & Wing Kit - Standard Height to Passenger Side 1400L x 510W x 275H | \$1,485.00 | \$1,635.00 | |
| PS/PA-010603-145127-SSR | Single Drawer & Wing Kit - Standard Height to Driver Side 1400L x 510W x 275H | \$1,485.00 | \$1,635.00 | |
| PS/PA-010603-145136-SHL | Single Drawer & Wing Kit - Trade Height to Passenger Side 1400L x 510W x 365H | \$1,585.00 | \$1,735.00 | |
| PS/PA-010603-145136-SHR | Single Drawer & Wing Kit - Trade Height to Driver Side 1400L x 510W x 365H | \$1,585.00 | \$1,735.00 | |
| EL-010603-141227-TDS | EcoLite Twin Drawer & Wing Kit - Standard Height 1400L x 1020W x 275H | \$2,080.00 | N/A | |
| PS/PA-010603-141227-TDS | Twin Drawer & Wing Kit - Standard Height 1400L x 1020W x 275H | \$2,870.00 | \$3,170.00 | |
| PS/PA-010603-141236-TDH | Twin Drawer & Wing Kit - Trade Height 1400L x 1020W x 365H | \$3,070.00 | \$3,370.00 | |
| PS/PA-010603-141230-FDC-E/D | Fridge Drawer Combo with 30L Engel/Dometic Fitkit - 1400L x 1020W x 300H **Fridge not included Liftout Hatch provided to access space behind the fridge (100mm narrower if tie downs added to top) - 583L x 431W | \$2,690.00 | \$2,840.00 | |
| PS/PA-010603-141236-FDC-EK | Fridge Drawer Combo with 40L EvaKool Fitkit - 1400L x 1020W x 365H **Fridge not included Liftout Hatch provided to access space behind the fridge (100mm narrower if tie downs added to top) - 583L x 560W | \$2,800.00 | \$2,950.00 | |
| PS/PA-010603-141236-FDC-IM | Fridge Drawer Combo with 40L Ironman Fitkit - 1400L x 1020W x 365H **Fridge not included Liftout Hatch provided to access space behind the fridge (100mm narrower if tie downs added to top) - 583L x 510W | \$2,800.00 | \$2,950.00 | |
| PS/PA-010603-141236-FDC-BM | Fridge Drawer Combo with 30L Bushman Fitkit - 1400L x 1020W x 365H **Fridge not included Liftout Hatch provided to access space behind the fridge (100mm narrower if tie downs added to top) - 583L x 431W | \$2,800.00 | \$2,950.00 | |
| PS/PA-010603-141227-1SL | Easy Access Combo 1 & Wing Kit - Small Low Platform to Passenger Side (Gap size 510W). Single Drawer O/A 1400L x 510W x 275H. Total Combo O/A 1400L x 1020W x 275H. (Suits RV-FS-1 or 3 *Not Included) | \$2,410.00 | \$2,560.00 | |
| PS/PA-010603-141227-1SR | Easy Access Combo 1 & Wing Kit - Small Low Platform to Driver Side (Gap size 510W). Single Drawer O/A 1400L x 510W x 275H. Total Combo O/A 1400L x 1020W x 275H. (Suits RV-FS-1 or 3 *Not Included) | \$2,410.00 | \$2,560.00 | |
| PS/PA-010603-141227-1LL | Easy Access Combo 1 & Wing Kit - Large Low Platform to Passenger Side (Gap size 570W). Single Drawer O/A 1400L x 450W x 275H. Total Combo O/A 1400L x 1020W x 275H. (Suits all RV-FS listed below except SO *Not Included) | \$2,410.00 | \$2,560.00 | |
| PS/PA-010603-141227-1LR | Easy Access Combo 1 & Wing Kit - Large Low Platform to Driver Side (Gap size 570W). Single Drawer O/A 1400L x 450W x 275H. Total Combo O/A 1400L x 1020W x 275H. (Suits all RV-FS listed below except SO *Not Included) | \$2,410.00 | \$2,560.00 | |
| PS/PA-010603-141227-2SL | Easy Access Combo 2 & Wing Kit - Small Low Platform to Passenger Side (Gap size 510W). Double Stacked Drawers (Standard Height Bottom Drawer O/A 1400L x 510W x 275H, Trade Height Top Drawer O/A 1100L x 510W x 365H). Total Combo O/A 1400L x 1020W x 640H. (Suits RV-FS-1 or 3 *Not Included). Optional 1100L Standard Height top drawer minus -\$100.00 | \$3,100.00 | \$3,400.00 | |
| PS/PA-010603-141227-2SR | Easy Access Combo 2 & Wing Kit - Small Low Platform to Driver Side (Gap size 510W). Double Stacked Drawers (Standard Height Bottom Drawer O/A 1400L x 510W x 275H, Trade Height Top Drawer O/A 1100L x 510W x 365H). Total Combo O/A 1400L x 1020W x 640H. (Suits RV-FS-1 or 3 *Not Included). Optional 1100L Standard Height top drawer minus -\$100.00 | \$3,100.00 | \$3,400.00 | |
| PS/PA-010603-141227-2LL | Easy Access Combo 2 & Wing Kit - Large Low Platform to Passenger Side (Gap size 570W). Double Stacked Drawers (Standard Height Bottom Drawer O/A 1400L x 450W x 275H, Trade Height Top Drawer O/A 1100L x 450W x 365H). Total Combo O/A 1400L x 1020W x 640H. (Suits all RV-FS listed below except SO *Not Included). Optional 1100L Standard Height top drawer minus -\$100.00 | \$3,100.00 | \$3,400.00 | |
| PS/PA-010603-141227-2LR | Easy Access Combo 2 & Wing Kit - Large Low Platform to Driver Side (Gap size 570W). Double Stacked Drawers (Standard Height Bottom Drawer O/A 1400L x 450W x 275H, Trade Height Top Drawer O/A 1100L x 450W x 365H). Total Combo O/A 1400L x 1020W x 640H. (Suits all RV-FS listed below except SO *Not Included). Optional 1100L Standard Height top drawer minus -\$100.00 | \$3,100.00 | \$3,400.00 | |
| RV-EAC-IFP-1400 | Easy Access Combo INFILL PANEL - covers fridge slide cavity to create a flat solid top effect (NOTE: top drawer must be removed on EAC-2 systems) | \$224.00 | N/A | |
| RV-CS-1451-00 | Cargo Shelf single - 1400L Ventilated side panel and solid top shelf to fit FS-1 (small fridge space) Suits EAC-1 1400L x 1020W | \$803.00 | N/A | |
| RV-CS-1457-00 | Cargo Shelf single - 1400L Ventilated side panel and solid top shelf to fit FS1.5 & FS-2 (large fridge space) Suits EAC-1 1400L x 1020W | \$803.00 | N/A | |
| RV-CS-0812-00 | Cargo Shelf double - 800L Ventilated side panel and solid top shelf system. Fits EAC-2 1400L x 1020W fitted with a Trade Height top drawer | \$567.00 | N/A | |
| RV-IBFS-1300-DS | Inbuilt Fridge Slide - flush fitting 1300L (Driver Side) <i>Premium drawers only</i> | \$472.00 | N/A | |
| RV-IBFS-1300-PS | Inbuilt Fridge Slide - flush fitting 1300L (Passenger Side) <i>Premium drawers only</i> | \$472.00 | N/A | |
| PS/PA-RV-FS-1 | Heavy Duty Fridge Slide - 750L x 455W x 80H (external incl. Travel Lock) | \$472.00 | \$522.00 | |
| PS-RV-FS-1-SO | Heavy Duty Fridge Slide - 450L x 770W x 110H (external incl. Travel Lock) | \$472.00 | N/A | |
| PS/PA-RV-FS-1.5 | Heavy Duty Fridge Slide - 750L x 530W x 80H (external incl. Travel Lock) | \$520.00 | \$570.00 | |
| PS/PA-RV-FS-2 | Heavy Duty Fridge Slide - 850L x 560W x 80H (external incl. Travel Lock) | \$567.00 | \$617.00 | |
| PS-RV-FS-2-SO | Heavy Duty Fridge Slide - 550L x 870W x 110H (external incl. Travel Lock) | \$567.00 | N/A | |
| PS/PA-RV-FS-2.25 | Heavy Duty Fridge Slide - 950L x 560W x 80H (external incl. Travel Lock) | \$590.00 | \$640.00 | |
| PS/PA-RV-FS-2.5 | Heavy Duty Fridge Slide - 1050L x 560W x 80H (external incl. Travel Lock) | \$685.00 | \$735.00 | |
| PS/PA-RV-FS-3 | Heavy Duty Fridge Slide - 1410L x 455W x 80H (external incl. Travel Lock) | \$886.00 | \$961.00 | |
| PS/PA-RV-FS-3.5 | Heavy Duty Fridge Slide - 1410L x 560W x 80H (external incl. Travel Lock) | \$886.00 | \$961.00 | |

Travel Slide Drawers available on page 181
Inbuilt Fridge Slides N/A for alloy drawers

| VEHICLE MAKE MODEL | | NISSAN | | |
|---|---|---|------------|--|
| NISSAN D40 NAVARA Dual Cab ST (2009-2011) Thai Built - 1400x1020 NO LINER | | | | |
| PA: Premium Alloy PS: Premium Steel EL: EcoLite | | TRADE HEIGHT DRAWERS +\$100 PER DRAWER | | |
| | | PREMBLK: PREMIUM BLACK RRP +180.00 (option) | | |
| | | DESCRIPTION (PRICES INCLUDE WING KIT UNLESS OTHERWISE STATED) | | |
| | | PS RRP | PA RRP | |
| PS/PA-010606-145127-SSL | Single Drawer & Wing Kit - Standard Height to Passenger Side 1400L x 510W x 275H | \$1,485.00 | \$1,635.00 | |
| PS/PA-010606-145127-SSR | Single Drawer & Wing Kit - Standard Height to Driver Side 1400L x 510W x 275H | \$1,485.00 | \$1,635.00 | |
| PS/PA-010606-145136-SHL | Single Drawer & Wing Kit - Trade Height to Passenger Side 1400L x 510W x 365H | \$1,585.00 | \$1,735.00 | |
| PS/PA-010606-145136-SHR | Single Drawer & Wing Kit - Trade Height to Driver Side 1400L x 510W x 365H | \$1,585.00 | \$1,735.00 | |
| EL-010606-141227-TDS | EcoLite Twin Drawer & Wing Kit - Standard Height 1400L x 1020W x 275H | \$2,080.00 | N/A | |
| PS/PA-010606-141227-TDS | Twin Drawer & Wing Kit - Standard Height 1400L x 1020W x 275H | \$2,870.00 | \$3,170.00 | |
| PS/PA-010606-141236-TDH | Twin Drawer & Wing Kit - Trade Height 1400L x 1020W x 365H | \$3,070.00 | \$3,370.00 | |
| PS/PA-010606-141230-FDC-E/D | Fridge Drawer Combo with 30L Engel/Dometic Fitkit - 1400L x 1020W x 300H **Fridge not included Liftout Hatch provided to access space behind the fridge (100mm narrower if tie downs added to top) - 583L x 431W | \$2,690.00 | \$2,840.00 | |
| PS/PA-010606-141236-FDC-EK | Fridge Drawer Combo with 40L EvaKool Fitkit - 1400L x 1020W x 365H **Fridge not included Liftout Hatch provided to access space behind the fridge (100mm narrower if tie downs added to top) - 583L x 560W | \$2,800.00 | \$2,950.00 | |
| PS/PA-010606-141236-FDC-IM | Fridge Drawer Combo with 40L Ironman Fitkit - 1400L x 1020W x 365H **Fridge not included Liftout Hatch provided to access space behind the fridge (100mm narrower if tie downs added to top) - 583L x 510W | \$2,800.00 | \$2,950.00 | |
| PS/PA-010606-141236-FDC-BM | Fridge Drawer Combo with 30L Bushman Fitkit - 1400L x 1020W x 365H **Fridge not included Liftout Hatch provided to access space behind the fridge (100mm narrower if tie downs added to top) - 583L x 431W | \$2,800.00 | \$2,950.00 | |
| PS/PA-010606-141227-1SL | Easy Access Combo 1 & Wing Kit - Small Low Platform to Passenger Side (Gap size 510W). Single Drawer O/A 1400L x 510W x 275H. Total Combo O/A 1400L x 1020W x 275H. (Suits RV-FS-1 or 3 *Not Included) | \$2,410.00 | \$2,560.00 | |
| PS/PA-010606-141227-1SR | Easy Access Combo 1 & Wing Kit - Small Low Platform to Driver Side (Gap size 510W). Single Drawer O/A 1400L x 510W x 275H. Total Combo O/A 1400L x 1020W x 275H. (Suits RV-FS-1 or 3 *Not Included) | \$2,410.00 | \$2,560.00 | |
| PS/PA-010606-141227-1LL | Easy Access Combo 1 & Wing Kit - Large Low Platform to Passenger Side (Gap size 570W). Single Drawer O/A 1400L x 450W x 275H. Total Combo O/A 1400L x 1020W x 275H. (Suits all RV-FS listed below except SO *Not Included) | \$2,410.00 | \$2,560.00 | |
| PS/PA-010606-141227-1LR | Easy Access Combo 1 & Wing Kit - Large Low Platform to Driver Side (Gap size 570W). Single Drawer O/A 1400L x 450W x 275H. Total Combo O/A 1400L x 1020W x 275H. (Suits all RV-FS listed below except SO *Not Included) | \$2,410.00 | \$2,560.00 | |
| PS/PA-010606-141227-2SL | Easy Access Combo 2 & Wing Kit - Small Low Platform to Passenger Side (Gap size 510W). Double Stacked Drawers (Standard Height Bottom Drawer O/A 1400L x 510W x 275H, Trade Height Top Drawer O/A 1100L x 510W x 365H). Total Combo O/A 1400L x 1020W x 640H. (Suits RV-FS-1 or 3 *Not Included). Optional 1100L Standard Height top drawer minus -\$100.00 | \$3,100.00 | \$3,400.00 | |
| PS/PA-010606-141227-2SR | Easy Access Combo 2 & Wing Kit - Small Low Platform to Driver Side (Gap size 510W). Double Stacked Drawers (Standard Height Bottom Drawer O/A 1400L x 510W x 275H, Trade Height Top Drawer O/A 1100L x 510W x 365H). Total Combo O/A 1400L x 1020W x 640H. (Suits RV-FS-1 or 3 *Not Included). Optional 1100L Standard Height top drawer minus -\$100.00 | \$3,100.00 | \$3,400.00 | |
| PS/PA-010606-141227-2LL | Easy Access Combo 2 & Wing Kit - Large Low Platform to Passenger Side (Gap size 570W). Double Stacked Drawers (Standard Height Bottom Drawer O/A 1400L x 450W x 275H, Trade Height Top Drawer O/A 1100L x 450W x 365H). Total Combo O/A 1400L x 1020W x 640H. (Suits all RV-FS listed below except SO *Not Included). Optional 1100L Standard Height top drawer minus -\$100.00 | \$3,100.00 | \$3,400.00 | |
| PS/PA-010606-141227-2LR | Easy Access Combo 2 & Wing Kit - Large Low Platform to Driver Side (Gap size 570W). Double Stacked Drawers (Standard Height Bottom Drawer O/A 1400L x 450W x 275H, Trade Height Top Drawer O/A 1100L x 450W x 365H). Total Combo O/A 1400L x 1020W x 640H. (Suits all RV-FS listed below except SO *Not Included). Optional 1100L Standard Height top drawer minus -\$100.00 | \$3,100.00 | \$3,400.00 | |
| RV-EAC-IFP-1400 | Easy Access Combo INFILL PANEL - covers fridge slide cavity to create a flat solid top effect (NOTE: top drawer must be removed on EAC-2 systems) | \$224.00 | N/A | |
| RV-CS-1451-00 | Cargo Shelf single - 1400L Ventilated side panel and solid top shelf to fit FS-1 (small fridge space) Suits EAC-1 1400L x 1020W | \$803.00 | N/A | |
| RV-CS-1457-00 | Cargo Shelf single - 1400L Ventilated side panel and solid top shelf to fit FS1.5 & FS-2 (large fridge space) Suits EAC-1 1400L x 1020W | \$803.00 | N/A | |
| RV-CS-0812-00 | Cargo Shelf double - 800L Ventilated side panel and solid top shelf system. Fits EAC-2 1400L x 1020W fitted with a Trade Height top drawer | \$567.00 | N/A | |
| RV-IBFS-1300-DS | Inbuilt Fridge Slide - flush fitting 1300L (Driver Side) Premium drawers only | \$472.00 | N/A | |
| RV-IBFS-1300-PS | Inbuilt Fridge Slide - flush fitting 1300L (Passenger Side) Premium drawers only | \$472.00 | N/A | |
| PS/PA-RV-FS-1 | Heavy Duty Fridge Slide - 750L x 455W x 80H (external incl. Travel Lock) | \$472.00 | \$522.00 | |
| PS-RV-FS-1-SO | Heavy Duty Fridge Slide - 450L x 770W x 110H (external incl. Travel Lock) | \$472.00 | N/A | |
| PS/PA-RV-FS-1.5 | Heavy Duty Fridge Slide - 750L x 530W x 80H (external incl. Travel Lock) | \$520.00 | \$570.00 | |
| PS/PA-RV-FS-2 | Heavy Duty Fridge Slide - 850L x 560W x 80H (external incl. Travel Lock) | \$567.00 | \$617.00 | |
| PS-RV-FS-2-SO | Heavy Duty Fridge Slide - 550L x 870W x 110H (external incl. Travel Lock) | \$567.00 | N/A | |
| PS/PA-RV-FS-2.25 | Heavy Duty Fridge Slide - 950L x 560W x 80H (external incl. Travel Lock) | \$590.00 | \$640.00 | |
| PS/PA-RV-FS-2.5 | Heavy Duty Fridge Slide - 1050L x 560W x 80H (external incl. Travel Lock) | \$685.00 | \$735.00 | |
| PS/PA-RV-FS-3 | Heavy Duty Fridge Slide - 1410L x 455W x 80H (external incl. Travel Lock) | \$886.00 | \$961.00 | |
| PS/PA-RV-FS-3.5 | Heavy Duty Fridge Slide - 1410L x 560W x 80H (external incl. Travel Lock) | \$886.00 | \$961.00 | |

Travel Slide Drawers available on page 181
Inbuilt Fridge Slides N/A for alloy drawers

| VEHICLE MAKE MODEL | NISSAN D40 NAVARA Dual Cab RX (Nov 2011+) Series 6 + Thai Built - 1400x1020 NO LINER | NISSAN | |
|---|--|------------|------------|
| PA: Premium Alloy PS: Premium Steel EL: EcoLite | TRADE HEIGHT DRAWERS +\$100 PER DRAWER | | |
| | PREMBLK: PREMIUM BLACK RRP +180.00 (option) | | |
| | DESCRIPTION (PRICES INCLUDE WING KIT UNLESS OTHERWISE STATED) | PS RRP | PA RRP |
| PS/PA-010607-145127-SSL | Single Drawer & Wing Kit - Standard Height to Passenger Side 1400L x 510W x 275H | \$1,485.00 | \$1,635.00 |
| PS/PA-010607-145127-SSR | Single Drawer & Wing Kit - Standard Height to Driver Side 1400L x 510W x 275H | \$1,485.00 | \$1,635.00 |
| PS/PA-010607-145136-SHL | Single Drawer & Wing Kit - Trade Height to Passenger Side 1400L x 510W x 365H | \$1,585.00 | \$1,735.00 |
| PS/PA-010607-145136-SHR | Single Drawer & Wing Kit - Trade Height to Driver Side 1400L x 510W x 365H | \$1,585.00 | \$1,735.00 |
| EL-010607-141227-TDS | EcoLite Twin Drawer & Wing Kit - Standard Height 1400L x 1020W x 275H | \$2,080.00 | N/A |
| PS/PA-010607-141227-TDS | Twin Drawer & Wing Kit - Standard Height 1400L x 1020W x 275H | \$2,870.00 | \$3,170.00 |
| PS/PA-010607-141236-TDH | Twin Drawer & Wing Kit - Trade Height 1400L x 1020W x 365H | \$3,070.00 | \$3,370.00 |
| PS/PA-010607-141230-FDC-E/D | Fridge Drawer Combo with 30L Engel/Dometic Fitkit - 1400L x 1020W x 300H **Fridge not included Liftout Hatch provided to access space behind the fridge (100mm narrower if tie downs added to top) - 583L x 431W | \$2,690.00 | \$2,840.00 |
| PS/PA-010607-141236-FDC-EK | Fridge Drawer Combo with 40L EvaKool Fitkit - 1400L x 1020W x 365H **Fridge not included Liftout Hatch provided to access space behind the fridge (100mm narrower if tie downs added to top) - 583L x 560W | \$2,800.00 | \$2,950.00 |
| PS/PA-010607-141236-FDC-IM | Fridge Drawer Combo with 40L Ironman Fitkit - 1400L x 1020W x 365H **Fridge not included Liftout Hatch provided to access space behind the fridge (100mm narrower if tie downs added to top) - 583L x 510W | \$2,800.00 | \$2,950.00 |
| PS/PA-010607-141236-FDC-BM | Fridge Drawer Combo with 30L Bushman Fitkit - 1400L x 1020W x 365H **Fridge not included Liftout Hatch provided to access space behind the fridge (100mm narrower if tie downs added to top) - 583L x 431W | \$2,800.00 | \$2,950.00 |
| PS/PA-010607-141227-1SL | Easy Access Combo 1 & Wing Kit - Small Low Platform to Passenger Side (Gap size 510W). Single Drawer O/A 1400L x 510W x 275H. Total Combo O/A 1400L x 1020W x 275H. (Suits RV-FS-1 or 3 *Not Included) | \$2,410.00 | \$2,560.00 |
| PS/PA-010607-141227-1SR | Easy Access Combo 1 & Wing Kit - Small Low Platform to Driver Side (Gap size 510W). Single Drawer O/A 1400L x 510W x 275H. Total Combo O/A 1400L x 1020W x 275H. (Suits RV-FS-1 or 3 *Not Included) | \$2,410.00 | \$2,560.00 |
| PS/PA-010607-141227-1LL | Easy Access Combo 1 & Wing Kit - Large Low Platform to Passenger Side (Gap size 570W). Single Drawer O/A 1400L x 450W x 275H. Total Combo O/A 1400L x 1020W x 275H. (Suits all RV-FS listed below except SO *Not Included) | \$2,410.00 | \$2,560.00 |
| PS/PA-010607-141227-1LR | Easy Access Combo 1 & Wing Kit - Large Low Platform to Driver Side (Gap size 570W). Single Drawer O/A 1400L x 450W x 275H. Total Combo O/A 1400L x 1020W x 275H. (Suits all RV-FS listed below except SO *Not Included) | \$2,410.00 | \$2,560.00 |
| PS/PA-010607-141227-2SL | Easy Access Combo 2 & Wing Kit - Small Low Platform to Passenger Side (Gap size 510W). Double Stacked Drawers (Standard Height Bottom Drawer O/A 1400L x 510W x 275H, Trade Height Top Drawer O/A 1100L x 510W x 365H). Total Combo O/A 1400L x 1020W x 640H. (Suits RV-FS-1 or 3 *Not Included). Optional 1100L Standard Height top drawer minus -\$100.00 | \$3,100.00 | \$3,400.00 |
| PS/PA-010607-141227-2SR | Easy Access Combo 2 & Wing Kit - Small Low Platform to Driver Side (Gap size 510W). Double Stacked Drawers (Standard Height Bottom Drawer O/A 1400L x 510W x 275H, Trade Height Top Drawer O/A 1100L x 510W x 365H). Total Combo O/A 1400L x 1020W x 640H. (Suits RV-FS-1 or 3 *Not Included). Optional 1100L Standard Height top drawer minus -\$100.00 | \$3,100.00 | \$3,400.00 |
| PS/PA-010607-141227-2LL | Easy Access Combo 2 & Wing Kit - Large Low Platform to Passenger Side (Gap size 570W). Double Stacked Drawers (Standard Height Bottom Drawer O/A 1400L x 450W x 275H, Trade Height Top Drawer O/A 1100L x 450W x 365H). Total Combo O/A 1400L x 1020W x 640H. (Suits all RV-FS listed below except SO *Not Included). Optional 1100L Standard Height top drawer minus -\$100.00 | \$3,100.00 | \$3,400.00 |
| PS/PA-010607-141227-2LR | Easy Access Combo 2 & Wing Kit - Large Low Platform to Driver Side (Gap size 570W). Double Stacked Drawers (Standard Height Bottom Drawer O/A 1400L x 450W x 275H, Trade Height Top Drawer O/A 1100L x 450W x 365H). Total Combo O/A 1400L x 1020W x 640H. (Suits all RV-FS listed below except SO *Not Included). Optional 1100L Standard Height top drawer minus -\$100.00 | \$3,100.00 | \$3,400.00 |
| RV-EAC-IFP-1400 | Easy Access Combo INFILL PANEL - covers fridge slide cavity to create a flat solid top effect (NOTE: top drawer must be removed on EAC-2 systems) | \$224.00 | N/A |
| RV-CS-1451-00 | Cargo Shelf single - 1400L Ventilated side panel and solid top shelf to fit FS-1 (small fridge space) Suits EAC-1 1400L x 1020W | \$803.00 | N/A |
| RV-CS-1457-00 | Cargo Shelf single - 1400L Ventilated side panel and solid top shelf to fit FS1.5 & FS-2 (large fridge space) Suits EAC-1 1400L x 1020W | \$803.00 | N/A |
| RV-CS-0812-00 | Cargo Shelf double - 800L Ventilated side panel and solid top shelf system. Fits EAC-2 1400L x 1020W fitted with a Trade Height top drawer | \$567.00 | N/A |
| RV-IBFS-1300-DS | Inbuilt Fridge Slide - flush fitting 1300L (Driver Side) <i>Premium drawers only</i> | \$472.00 | N/A |
| RV-IBFS-1300-PS | Inbuilt Fridge Slide - flush fitting 1300L (Passenger Side) <i>Premium drawers only</i> | \$472.00 | N/A |
| PS/PA-RV-FS-1 | Heavy Duty Fridge Slide - 750L x 455W x 80H (external incl. Travel Lock) | \$472.00 | \$522.00 |
| PS-RV-FS-1-SO | Heavy Duty Fridge Slide - 450L x 770W x 110H (external incl. Travel Lock) | \$472.00 | N/A |
| PS/PA-RV-FS-1.5 | Heavy Duty Fridge Slide - 750L x 530W x 80H (external incl. Travel Lock) | \$520.00 | \$570.00 |
| PS/PA-RV-FS-2 | Heavy Duty Fridge Slide - 850L x 560W x 80H (external incl. Travel Lock) | \$567.00 | \$617.00 |
| PS-RV-FS-2-SO | Heavy Duty Fridge Slide - 550L x 870W x 110H (external incl. Travel Lock) | \$567.00 | N/A |
| PS/PA-RV-FS-2.25 | Heavy Duty Fridge Slide - 950L x 560W x 80H (external incl. Travel Lock) | \$590.00 | \$640.00 |
| PS/PA-RV-FS-2.5 | Heavy Duty Fridge Slide - 1050L x 560W x 80H (external incl. Travel Lock) | \$685.00 | \$735.00 |
| PS/PA-RV-FS-3 | Heavy Duty Fridge Slide - 1410L x 455W x 80H (external incl. Travel Lock) | \$886.00 | \$961.00 |
| PS/PA-RV-FS-3.5 | Heavy Duty Fridge Slide - 1410L x 560W x 80H (external incl. Travel Lock) | \$886.00 | \$961.00 |
| Travel Slide Drawers available on page 181 Inbuilt Fridge Slides N/A for alloy drawers | | | |

| VEHICLE MAKE MODEL | | NISSAN | | |
|--|--|---|------------|------------|
| NISSAN NP300 NAVARA Dual Cab RX, ST (May 2015 - Dec 2020) - 1400x1020 NO LINER | | | | |
| PA: Premium Alloy PS: Premium Steel EL: EcoLite | | TRADE HEIGHT DRAWERS +\$100 PER DRAWER | | |
| | | PREMBLK: PREMIUM BLACK RRP +180.00 (option) | | |
| | | DESCRIPTION (PRICES INCLUDE WING KIT UNLESS OTHERWISE STATED) | PS RRP | PA RRP |
| PS/PA-010701-145127-SSL | Single Drawer & Wing Kit - Standard Height to Passenger Side 1400L x 510W x 275H | | \$1,485.00 | \$1,635.00 |
| PS/PA-010701-145127-SSR | Single Drawer & Wing Kit - Standard Height to Driver Side 1400L x 510W x 275H | | \$1,485.00 | \$1,635.00 |
| PS/PA-010701-145136-SHL | Single Drawer & Wing Kit - Trade Height to Passenger Side 1400L x 510W x 365H | | \$1,585.00 | \$1,735.00 |
| PS/PA-010701-145136-SHR | Single Drawer & Wing Kit - Trade Height to Driver Side 1400L x 510W x 365H | | \$1,585.00 | \$1,735.00 |
| EL-010701-141227-TDS | EcoLite Twin Drawer & Wing Kit - Standard Height 1400L x 1020W x 275H | | \$2,080.00 | N/A |
| PS/PA-010701-141227-TDS | Twin Drawer & Wing Kit - Standard Height 1400L x 1020W x 275H | | \$2,870.00 | \$3,170.00 |
| PS/PA-010701-141236-TDH | Twin Drawer & Wing Kit - Trade Height 1400L x 1020W x 365H | | \$3,070.00 | \$3,370.00 |
| PS/PA-010701-141230-FDC-E/D | Fridge Drawer Combo with 30L Engel/Dometic Fitkit - 1400L x 1020W x 300H **Fridge not included Liftout Hatch provided to access space behind the fridge (100mm narrower if tie downs added to top) - 583L x 431W | | \$2,690.00 | \$2,840.00 |
| PS/PA-010701-141236-FDC-EK | Fridge Drawer Combo with 40L EvaKool Fitkit - 1400L x 1020W x 365H **Fridge not included Liftout Hatch provided to access space behind the fridge (100mm narrower if tie downs added to top) - 583L x 560W | | \$2,800.00 | \$2,950.00 |
| PS/PA-010701-141236-FDC-IM | Fridge Drawer Combo with 40L Ironman Fitkit - 1400L x 1020W x 365H **Fridge not included Liftout Hatch provided to access space behind the fridge (100mm narrower if tie downs added to top) - 583L x 510W | | \$2,800.00 | \$2,950.00 |
| PS/PA-010701-141236-FDC-BM | Fridge Drawer Combo with 30L Bushman Fitkit - 1400L x 1020W x 365H **Fridge not included Liftout Hatch provided to access space behind the fridge (100mm narrower if tie downs added to top) - 583L x 431W | | \$2,800.00 | \$2,950.00 |
| PS/PA-010701-141227-1SL | Easy Access Combo 1 & Wing Kit - Small Low Platform to Passenger Side (Gap size 510W). Single Drawer O/A 1400L x 510W x 275H. Total Combo O/A 1400L x 1020W x 275H. (Suits RV-FS-1 or 3 *Not Included) | | \$2,410.00 | \$2,560.00 |
| PS/PA-010701-141227-1SR | Easy Access Combo 1 & Wing Kit - Small Low Platform to Driver Side (Gap size 510W). Single Drawer O/A 1400L x 510W x 275H. Total Combo O/A 1400L x 1020W x 275H. (Suits RV-FS-1 or 3 *Not Included) | | \$2,410.00 | \$2,560.00 |
| PS/PA-010701-141227-1LL | Easy Access Combo 1 & Wing Kit - Large Low Platform to Passenger Side (Gap size 570W). Single Drawer O/A 1400L x 450W x 275H. Total Combo O/A 1400L x 1020W x 275H. (Suits all RV-FS listed below except SO *Not Included) | | \$2,410.00 | \$2,560.00 |
| PS/PA-010701-141227-1LR | Easy Access Combo 1 & Wing Kit - Large Low Platform to Driver Side (Gap size 570W). Single Drawer O/A 1400L x 450W x 275H. Total Combo O/A 1400L x 1020W x 275H. (Suits all RV-FS listed below except SO *Not Included) | | \$2,410.00 | \$2,560.00 |
| PS/PA-010701-141227-2SL | Easy Access Combo 2 & Wing Kit - Small Low Platform to Passenger Side (Gap size 510W). Double Stacked Drawers (Standard Height Bottom Drawer O/A 1400L x 510W x 275H, Trade Height Top Drawer O/A 1100L x 510W x 365H). Total Combo O/A 1400L x 1020W x 640H. (Suits RV-FS-1 or 3 *Not Included). Optional 1100L Standard Height top drawer minus -\$100.00 | | \$3,100.00 | \$3,400.00 |
| PS/PA-010701-141227-2SR | Easy Access Combo 2 & Wing Kit - Small Low Platform to Driver Side (Gap size 510W). Double Stacked Drawers (Standard Height Bottom Drawer O/A 1400L x 510W x 275H, Trade Height Top Drawer O/A 1100L x 510W x 365H). Total Combo O/A 1400L x 1020W x 640H. (Suits RV-FS-1 or 3 *Not Included). Optional 1100L Standard Height top drawer minus -\$100.00 | | \$3,100.00 | \$3,400.00 |
| PS/PA-010701-141227-2LL | Easy Access Combo 2 & Wing Kit - Large Low Platform to Passenger Side (Gap size 570W). Double Stacked Drawers (Standard Height Bottom Drawer O/A 1400L x 450W x 275H, Trade Height Top Drawer O/A 1100L x 450W x 365H). Total Combo O/A 1400L x 1020W x 640H. (Suits all RV-FS listed below except SO *Not Included). Optional 1100L Standard Height top drawer minus -\$100.00 | | \$3,100.00 | \$3,400.00 |
| PS/PA-010701-141227-2LR | Easy Access Combo 2 & Wing Kit - Large Low Platform to Driver Side (Gap size 570W). Double Stacked Drawers (Standard Height Bottom Drawer O/A 1400L x 450W x 275H, Trade Height Top Drawer O/A 1100L x 450W x 365H). Total Combo O/A 1400L x 1020W x 640H. (Suits all RV-FS listed below except SO *Not Included). Optional 1100L Standard Height top drawer minus -\$100.00 | | \$3,100.00 | \$3,400.00 |
| RV-EAC-IFP-1400 | Easy Access Combo INFILL PANEL - covers fridge slide cavity to create a flat solid top effect (NOTE: top drawer must be removed on EAC-2 systems) | | \$224.00 | N/A |
| RV-CS-1451-00 | Cargo Shelf single - 1400L Ventilated side panel and solid top shelf to fit FS-1 (small fridge space) Suits EAC-1 1400L x 1020W | | \$803.00 | N/A |
| RV-CS-1457-00 | Cargo Shelf single - 1400L Ventilated side panel and solid top shelf to fit FS1.5 & FS-2 (large fridge space) Suits EAC-1 1400L x 1020W | | \$803.00 | N/A |
| RV-CS-0812-00 | Cargo Shelf double - 800L Ventilated side panel and solid top shelf system. Fits EAC-2 1400L x 1020W fitted with a Trade Height top drawer | | \$567.00 | N/A |
| RV-IBFS-1300-DS | Inbuilt Fridge Slide - flush fitting 1300L (Driver Side) Premium drawers only | | \$472.00 | N/A |
| RV-IBFS-1300-PS | Inbuilt Fridge Slide - flush fitting 1300L (Passenger Side) Premium drawers only | | \$472.00 | N/A |
| PS/PA-RV-FS-1 | Heavy Duty Fridge Slide - 750L x 455W x 80H (external incl. Travel Lock) | | \$472.00 | \$522.00 |
| PS-RV-FS-1-SO | Heavy Duty Fridge Slide - 450L x 770W x 110H (external incl. Travel Lock) | | \$472.00 | N/A |
| PS/PA-RV-FS-1.5 | Heavy Duty Fridge Slide - 750L x 530W x 80H (external incl. Travel Lock) | | \$520.00 | \$570.00 |
| PS/PA-RV-FS-2 | Heavy Duty Fridge Slide - 850L x 560W x 80H (external incl. Travel Lock) | | \$567.00 | \$617.00 |
| PS-RV-FS-2-SO | Heavy Duty Fridge Slide - 550L x 870W x 110H (external incl. Travel Lock) | | \$567.00 | N/A |
| PS/PA-RV-FS-2.25 | Heavy Duty Fridge Slide - 950L x 560W x 80H (external incl. Travel Lock) | | \$590.00 | \$640.00 |
| PS/PA-RV-FS-2.5 | Heavy Duty Fridge Slide - 1050L x 560W x 80H (external incl. Travel Lock) | | \$685.00 | \$735.00 |
| PS/PA-RV-FS-3 | Heavy Duty Fridge Slide - 1410L x 455W x 80H (external incl. Travel Lock) | | \$886.00 | \$961.00 |
| PS/PA-RV-FS-3.5 | Heavy Duty Fridge Slide - 1410L x 560W x 80H (external incl. Travel Lock) | | \$886.00 | \$961.00 |
| Travel Slide Drawers available on page 181 | | | | |
| Inbuilt Fridge Slides N/A for alloy drawers | | | | |

| VEHICLE MAKE MODEL | | NISSAN | | |
|---|---|---|------------|------------|
| NISSAN NP300 NAVARA Dual Cab STX / N-Trek (May 2015 - Dec 2020) - 1400x1020 GENUINE LINER & SIDE TRACKS | | | | |
| PA: Premium Alloy PS: Premium Steel EL: EcoLite | | TRADE HEIGHT DRAWERS +\$100 PER DRAWER | | |
| | | PREMLBK: PREMIUM BLACK RRP +180.00 (option) | | |
| | | DESCRIPTION (PRICES INCLUDE WING KIT UNLESS OTHERWISE STATED) | PS RRP | PA RRP |
| PS/PA-010702-145127-SSL | Single Drawer & Wing Kit - Standard Height to Passenger Side 1400L x 510W x 275H | | \$1,485.00 | \$1,635.00 |
| PS/PA-010702-145127-SSR | Single Drawer & Wing Kit - Standard Height to Driver Side 1400L x 510W x 275H | | \$1,485.00 | \$1,635.00 |
| PS/PA-010702-145136-SHL | Single Drawer & Wing Kit - Trade Height to Passenger Side 1400L x 510W x 365H | | \$1,585.00 | \$1,735.00 |
| PS/PA-010702-145136-SHR | Single Drawer & Wing Kit - Trade Height to Driver Side 1400L x 510W x 365H | | \$1,585.00 | \$1,735.00 |
| EL-010702-141227-TDS | EcoLite Twin Drawer & Wing Kit - Standard Height 1400L x 1020W x 275H | | \$2,080.00 | N/A |
| PS/PA-010702-141227-TDS | Twin Drawer & Wing Kit - Standard Height 1400L x 1020W x 275H | | \$2,870.00 | \$3,170.00 |
| PS/PA-010702-141236-TDH | Twin Drawer & Wing Kit - Trade Height 1400L x 1020W x 365H | | \$3,070.00 | \$3,370.00 |
| PS/PA-010702-141230-FDC-E/D | Fridge Drawer Combo with 30L Engel/Dometic Fitkit - 1400L x 1020W x 300H **Fridge not included Liftout Hatch provided to access space behind the fridge (100mm narrower if tie downs added to top) - 583L x 431W | | \$2,690.00 | \$2,840.00 |
| PS/PA-010702-141236-FDC-EK | Fridge Drawer Combo with 40L EvaKool Fitkit - 1400L x 1020W x 365H **Fridge not included Liftout Hatch provided to access space behind the fridge (100mm narrower if tie downs added to top) - 583L x 560W | | \$2,800.00 | \$2,950.00 |
| PS/PA-010702-141236-FDC-IM | Fridge Drawer Combo with 40L Ironman Fitkit - 1400L x 1020W x 365H **Fridge not included Liftout Hatch provided to access space behind the fridge (100mm narrower if tie downs added to top) - 583L x 510W | | \$2,800.00 | \$2,950.00 |
| PS/PA-010702-141236-FDC-BM | Fridge Drawer Combo with 30L Bushman Fitkit - 1400L x 1020W x 365H **Fridge not included Liftout Hatch provided to access space behind the fridge (100mm narrower if tie downs added to top) - 583L x 431W | | \$2,800.00 | \$2,950.00 |
| PS/PA-010702-141227-1SL | Easy Access Combo 1 & Wing Kit - Small Low Platform to Passenger Side (Gap size 510W). Single Drawer O/A 1400L x 510W x 275H. Total Combo O/A 1400L x 1020W x 275H. (Suits RV-FS-1 or 3 *Not Included) | | \$2,410.00 | \$2,560.00 |
| PS/PA-010702-141227-1SR | Easy Access Combo 1 & Wing Kit - Small Low Platform to Driver Side (Gap size 510W). Single Drawer O/A 1400L x 510W x 275H. Total Combo O/A 1400L x 1020W x 275H. (Suits RV-FS-1 or 3 *Not Included) | | \$2,410.00 | \$2,560.00 |
| PS/PA-010702-141227-1LL | Easy Access Combo 1 & Wing Kit - Large Low Platform to Passenger Side (Gap size 570W). Single Drawer O/A 1400L x 450W x 275H. Total Combo O/A 1400L x 1020W x 275H. (Suits all RV-FS listed below except SO *Not Included) | | \$2,410.00 | \$2,560.00 |
| PS/PA-010702-141227-1LR | Easy Access Combo 1 & Wing Kit - Large Low Platform to Driver Side (Gap size 570W). Single Drawer O/A 1400L x 450W x 275H. Total Combo O/A 1400L x 1020W x 275H. (Suits all RV-FS listed below except SO *Not Included) | | \$2,410.00 | \$2,560.00 |
| PS/PA-010702-141227-2SL | Easy Access Combo 2 & Wing Kit - Small Low Platform to Passenger Side (Gap size 510W). Double Stacked Drawers (Standard Height Bottom Drawer O/A 1400L x 510W x 275H, Trade Height Top Drawer O/A 1100L x 510W x 365H). Total Combo O/A 1400L x 1020W x 640H. (Suits RV-FS-1 or 3 *Not Included). Optional 1100L Standard Height top drawer minus -\$100.00 | | \$3,100.00 | \$3,400.00 |
| PS/PA-010702-141227-2SR | Easy Access Combo 2 & Wing Kit - Small Low Platform to Driver Side (Gap size 510W). Double Stacked Drawers (Standard Height Bottom Drawer O/A 1400L x 510W x 275H, Trade Height Top Drawer O/A 1100L x 510W x 365H). Total Combo O/A 1400L x 1020W x 640H. (Suits RV-FS-1 or 3 *Not Included). Optional 1100L Standard Height top drawer minus -\$100.00 | | \$3,100.00 | \$3,400.00 |
| PS/PA-010702-141227-2LL | Easy Access Combo 2 & Wing Kit - Large Low Platform to Passenger Side (Gap size 570W). Double Stacked Drawers (Standard Height Bottom Drawer O/A 1400L x 450W x 275H, Trade Height Top Drawer O/A 1100L x 450W x 365H). Total Combo O/A 1400L x 1020W x 640H. (Suits all RV-FS listed below except SO *Not Included). Optional 1100L Standard Height top drawer minus -\$100.00 | | \$3,100.00 | \$3,400.00 |
| PS/PA-010702-141227-2LR | Easy Access Combo 2 & Wing Kit - Large Low Platform to Driver Side (Gap size 570W). Double Stacked Drawers (Standard Height Bottom Drawer O/A 1400L x 450W x 275H, Trade Height Top Drawer O/A 1100L x 450W x 365H). Total Combo O/A 1400L x 1020W x 640H. (Suits all RV-FS listed below except SO *Not Included). Optional 1100L Standard Height top drawer minus -\$100.00 | | \$3,100.00 | \$3,400.00 |
| RV-EAC-IFP-1400 | Easy Access Combo INFILL PANEL - covers fridge slide cavity to create a flat solid top effect (NOTE: top drawer must be removed on EAC-2 systems) | | \$224.00 | N/A |
| RV-CS-1451-00 | Cargo Shelf single - 1400L Ventilated side panel and solid top shelf to fit FS-1 (small fridge space) Suits EAC-1 1400L x 1020W | | \$803.00 | N/A |
| RV-CS-1457-00 | Cargo Shelf single - 1400L Ventilated side panel and solid top shelf to fit FS1.5 & FS-2 (large fridge space) Suits EAC-1 1400L x 1020W | | \$803.00 | N/A |
| RV-CS-0812-00 | Cargo Shelf double - 800L Ventilated side panel and solid top shelf system. Fits EAC-2 1400L x 1020W fitted with a Trade Height top drawer | | \$567.00 | N/A |
| RV-IBFS-1300-DS | Inbuilt Fridge Slide - flush fitting 1300L (Driver Side) Premium drawers only | | \$472.00 | N/A |
| RV-IBFS-1300-PS | Inbuilt Fridge Slide - flush fitting 1300L (Passenger Side) Premium drawers only | | \$472.00 | N/A |
| PS/PA-RV-FS-1 | Heavy Duty Fridge Slide - 750L x 455W x 80H (external incl. Travel Lock) | | \$472.00 | \$522.00 |
| PS-RV-FS-1-SO | Heavy Duty Fridge Slide - 450L x 770W x 110H (external incl. Travel Lock) | | \$472.00 | N/A |
| PS/PA-RV-FS-1.5 | Heavy Duty Fridge Slide - 750L x 530W x 80H (external incl. Travel Lock) | | \$520.00 | \$570.00 |
| PS/PA-RV-FS-2 | Heavy Duty Fridge Slide - 850L x 560W x 80H (external incl. Travel Lock) | | \$567.00 | \$617.00 |
| PS-RV-FS-2-SO | Heavy Duty Fridge Slide - 550L x 870W x 110H (external incl. Travel Lock) | | \$567.00 | N/A |
| PS/PA-RV-FS-2.25 | Heavy Duty Fridge Slide - 950L x 560W x 80H (external incl. Travel Lock) | | \$590.00 | \$640.00 |
| PS/PA-RV-FS-2.5 | Heavy Duty Fridge Slide - 1050L x 560W x 80H (external incl. Travel Lock) | | \$685.00 | \$735.00 |
| PS/PA-RV-FS-3 | Heavy Duty Fridge Slide - 1410L x 455W x 80H (external incl. Travel Lock) | | \$886.00 | \$961.00 |
| PS/PA-RV-FS-3.5 | Heavy Duty Fridge Slide - 1410L x 560W x 80H (external incl. Travel Lock) | | \$886.00 | \$961.00 |

Travel Slide Drawers available on page 181
Inbuilt Fridge Slides N/A for alloy drawers

| VEHICLE MAKE MODEL | NISSAN NP300 NAVARA Dual Cab ST (May 2015 - Dec 2020) - Thai Built - 1300x1020 GENUINE LINER | | |
|---|--|------------|------------|
| PA: Premium Alloy PS: Premium Steel EL: EcoLite | TRADE HEIGHT DRAWERS +\$100 PER DRAWER | | |
| | PREMBLK: PREMIUM BLACK RRP +180.00 (option) | | |
| | DESCRIPTION (PRICES INCLUDE WING KIT UNLESS OTHERWISE STATED) | PS RRP | PA RRP |
| PS/PA-010703-135127-SSL | Single Drawer & Wing Kit - Standard Height to Passenger Side 1300L x 510W x 275H | \$1,460.00 | \$1,610.00 |
| PS/PA-010703-135127-SSR | Single Drawer & Wing Kit - Standard Height to Driver Side 1300L x 510W x 275H | \$1,460.00 | \$1,610.00 |
| PS/PA-010703-135136-SHL | Single Drawer & Wing Kit - Trade Height to Passenger Side 1300L x 510W x 365H | \$1,560.00 | \$1,710.00 |
| PS/PA-010703-135136-SHR | Single Drawer & Wing Kit - Trade Height to Driver Side 1300L x 510W x 365H | \$1,560.00 | \$1,710.00 |
| EL-010703-131227-TDS | EcoLite Twin Drawer & Wing Kit - Standard Height 1300L x 1020W x 275H | \$2,020.00 | N/A |
| PS/PA-010703-131227-TDS | Twin Drawer & Wing Kit - Standard Height 1300L x 1020W x 275H | \$2,815.00 | \$3,115.00 |
| PS/PA-010703-131236-TDH | Twin Drawer & Wing Kit - Trade Height 1300L x 1020W x 365H | \$3,015.00 | \$3,315.00 |
| PS/PA-010703-131230-FDC-E/D | Fridge Drawer Combo with 30L Engel/Dometic Fitkit - 1300L x 1020W x 300H **Fridge not included Liftout Hatch provided to access space behind the fridge (100mm narrower if tie downs added to top) - 483L x 431W | \$2,635.00 | \$2,785.00 |
| PS/PA-010703-131236-FDC-EK | Fridge Drawer Combo with 40L EvaKool Fitkit - 1300L x 1020W x 365H **Fridge not included Liftout Hatch provided to access space behind the fridge (100mm narrower if tie downs added to top) - 483L x 560W | \$2,745.00 | \$2,895.00 |
| PS/PA-010703-131236-FDC-IM | Fridge Drawer Combo with 40L Ironman Fitkit - 1300L x 1020W x 365H **Fridge not included Liftout Hatch provided to access space behind the fridge (100mm narrower if tie downs added to top) - 483L x 510W | \$2,745.00 | \$2,895.00 |
| PS/PA-010703-131236-FDC-BM | Fridge Drawer Combo with 30L Bushman Fitkit - 1300L x 1020W x 365H **Fridge not included Liftout Hatch provided to access space behind the fridge (100mm narrower if tie downs added to top) - 483L x 431W | \$2,745.00 | \$2,895.00 |
| PS/PA-010703-131227-1SL | Easy Access Combo 1 & Wing Kit - Small Low Platform to Passenger Side (Gap size 510W). Single Drawer O/A 1300L x 510W x 275H. Total Combo O/A 1300L x 1020W x 275H. (Suits RV-FS-1 *Not Included) | \$2,355.00 | \$2,505.00 |
| PS/PA-010703-131227-1SR | Easy Access Combo 1 & Wing Kit - Small Low Platform to Driver Side (Gap size 510W). Single Drawer O/A 1300L x 510W x 275H. Total Combo O/A 1300L x 1020W x 275H. (Suits RV-FS-1 *Not Included) | \$2,355.00 | \$2,505.00 |
| PS/PA-010703-131227-1LL | Easy Access Combo 1 & Wing Kit - Large Low Platform to Passenger Side (Gap size 570W). Single Drawer O/A 1300L x 450W x 275H. Total Combo O/A 1300L x 1020W x 275H. (Suits all RV-FS listed below except SO *Not Included) | \$2,355.00 | \$2,505.00 |
| PS/PA-010703-131227-1LR | Easy Access Combo 1 & Wing Kit - Large Low Platform to Driver Side (Gap size 570W). Single Drawer O/A 1300L x 450W x 275H. Total Combo O/A 1300L x 1020W x 275H. (Suits all RV-FS listed below except SO *Not Included) | \$2,355.00 | \$2,505.00 |
| PS/PA-010703-131227-2SL | Easy Access Combo 2 & Wing Kit - Small Low Platform to Passenger Side (Gap size 510W). Double Stacked Drawers (Standard Height Bottom Drawer O/A 1300L x 510W x 275H, Trade Height Top Drawer O/A 1100L x 510W x 365H). Total Combo O/A 1300L x 1020W x 640H. (Suits RV-FS-1 *Not Included). Optional 1100L Standard Height top drawer minus -\$100.00 | \$3,045.00 | \$3,345.00 |
| PS/PA-010703-131227-2SR | Easy Access Combo 2 & Wing Kit - Small Low Platform to Driver Side (Gap size 510W). Double Stacked Drawers (Standard Height Bottom Drawer O/A 1300L x 510W x 275H, Trade Height Top Drawer O/A 1100L x 510W x 365H). Total Combo O/A 1300L x 1020W x 640H. (Suits RV-FS-1 *Not Included). Optional 1100L Standard Height top drawer minus -\$100.00 | \$3,045.00 | \$3,345.00 |
| PS/PA-010703-131227-2LL | Easy Access Combo 2 & Wing Kit - Large Low Platform to Passenger Side (Gap size 570W). Double Stacked Drawers (Standard Height Bottom Drawer O/A 1300L x 450W x 275H, Trade Height Top Drawer O/A 1100L x 450W x 365H). Total Combo O/A 1300L x 1020W x 640H. (Suits all RV-FS listed below except SO *Not Included). Optional 1100L Standard Height top drawer minus -\$100.00 | \$3,045.00 | \$3,345.00 |
| PS/PA-010703-131227-2LR | Easy Access Combo 2 & Wing Kit - Large Low Platform to Driver Side (Gap size 570W). Double Stacked Drawers (Standard Height Bottom Drawer O/A 1300L x 450W x 275H, Trade Height Top Drawer O/A 1100L x 450W x 365H). Total Combo O/A 1300L x 1020W x 640H. (Suits all RV-FS listed below except SO *Not Included). Optional 1100L Standard Height top drawer minus -\$100.00 | \$3,045.00 | \$3,345.00 |
| RV-EAC-IFP-1300 | Easy Access Combo INFILL PANEL - covers fridge slide cavity to create a flat solid top effect (NOTE: top drawer must be removed on EAC-2 systems) | \$224.00 | N/A |
| RV-CS-0851-00 | Cargo Shelf single - 800L Ventilated side panel and solid top shelf to fit FS-1 (small fridge space) Suits EAC-1 1300L x 1020W | \$520.00 | N/A |
| RV-CS-0857-00 | Cargo Shelf single - 800L Ventilated side panel and solid top shelf to fit FS-1.5 & FS-2 (large fridge space) Suits EAC-1 1300L x 1020W | \$520.00 | N/A |
| RV-CS-0812-00 | Cargo Shelf double - 800L Ventilated side panel and solid top shelf system. Fits EAC-2 1300L x 1020W fitted with a Trade Height top drawer | \$567.00 | N/A |
| RV-IBFS-1300-DS | Inbuilt Fridge Slide - flush fitting 1300L (Driver Side) <i>Premium drawers only</i> | \$472.00 | N/A |
| RV-IBFS-1300-PS | Inbuilt Fridge Slide - flush fitting 1300L (Passenger Side) <i>Premium drawers only</i> | \$472.00 | N/A |
| PS/PA-RV-FS-1 | Heavy Duty Fridge Slide - 750L x 455W x 80H (external incl. Travel Lock) | \$472.00 | \$522.00 |
| PS-RV-FS-1-SO | Heavy Duty Fridge Slide - 450L x 770W x 110H (external incl. Travel Lock) | \$472.00 | N/A |
| PS/PA-RV-FS-1.5 | Heavy Duty Fridge Slide - 750L x 530W x 80H (external incl. Travel Lock) | \$520.00 | \$570.00 |
| PS/PA-RV-FS-2 | Heavy Duty Fridge Slide - 850L x 560W x 80H (external incl. Travel Lock) | \$567.00 | \$617.00 |
| PS-RV-FS-2-SO | Heavy Duty Fridge Slide - 550L x 870W x 110H (external incl. Travel Lock) | \$567.00 | N/A |
| PS/PA-RV-FS-2.25 | Heavy Duty Fridge Slide - 950L x 560W x 80H (external incl. Travel Lock) | \$590.00 | \$640.00 |
| PS/PA-RV-FS-2.5 | Heavy Duty Fridge Slide - 1050L x 560W x 80H (external incl. Travel Lock) | \$685.00 | \$735.00 |
| Travel Slide Drawers available on page 181 Inbuilt Fridge Slides N/A for alloy drawers | | | |

| VEHICLE MAKE MODEL | | NISSAN | | |
|--|--|---|----------|--|
| NISSAN NP300 NAVARA King Cab ST (May 2015 - Dec 2020) - 1700x1020 NO LINER | | NISSAN | | |
| PA: Premium Alloy PS: Premium Steel EL: EcoLite | | ALLOY DRAWERS: N/A / TRADE HEIGHT DRAWERS +\$100 PER DRAWER | | |
| | | PREMLBK: PREMIUM BLACK RRP +180.00 (option) | | |
| | | DESCRIPTION (PRICES INCLUDE WING KIT UNLESS OTHERWISE STATED) | | |
| | | PS RRP | PA RRP | |
| PS-010704-175127-SSL | Single Drawer & Wing Kit - Standard Height to Passenger Side 1700L x 510W x 275H | \$1,625.00 | N/A | |
| PS-010704-175127-SSR | Single Drawer & Wing Kit - Standard Height to Driver Side 1700L x 510W x 275H | \$1,625.00 | N/A | |
| PS-010704-175136-SHL | Single Drawer & Wing Kit - Trade Height to Passenger Side 1700L x 510W x 365H | \$1,725.00 | N/A | |
| PS-010704-175136-SHR | Single Drawer & Wing Kit - Trade Height to Driver Side 1700L x 510W x 365H | \$1,725.00 | N/A | |
| EL-010704-171227-TDS | EcoLite Twin Drawer & Wing Kit - Standard Height 1700L x 1020W x 275H | \$2,270.00 | N/A | |
| PS-010704-171227-TDS | Twin Drawer & Wing Kit - Standard Height 1700L x 1020W x 275H | \$3,145.00 | N/A | |
| PS-010704-171236-TDH | Twin Drawer & Wing Kit - Trade Height 1700L x 1020W x 365H | \$3,345.00 | N/A | |
| PS-010704-171230-FDC-E/D | Fridge Drawer Combo with 30L Engel/Dometic Fitkit - 1700L x 1020W x 300H **Fridge not included Liftout Hatch provided to access space behind the fridge (100mm narrower if tie downs added to top) - 883L x 431W | \$2,855.00 | N/A | |
| PS-010704-171236-FDC-EK | Fridge Drawer Combo with 40L EvaKool Fitkit - 1700L x 1020W x 365H **Fridge not included Liftout Hatch provided to access space behind the fridge (100mm narrower if tie downs added to top) - 883L x 560W | \$2,965.00 | N/A | |
| PS-010704-171236-FDC-IM | Fridge Drawer Combo with 40L Ironman Fitkit - 1700L x 1020W x 365H **Fridge not included Liftout Hatch provided to access space behind the fridge (100mm narrower if tie downs added to top) - 883L x 510W | \$2,965.00 | N/A | |
| PS-010704-171236-FDC-BM | Fridge Drawer Combo with 30L Bushman Fitkit - 1700L x 1020W x 365H **Fridge not included Liftout Hatch provided to access space behind the fridge (100mm narrower if tie downs added to top) - 883L x 431W | \$2,965.00 | N/A | |
| PS-010704-171227-1SL | Easy Access Combo 1 & Wing Kit - Small Low Platform to Passenger Side (Gap size 510W). Single Drawer O/A 1700L x 510W x 275H. Total Combo O/A 1700L x 1020W x 275H. (Suits RV-FS-1 or 3 *Not Included) | \$2,630.00 | N/A | |
| PS-010704-171227-1SR | Easy Access Combo 1 & Wing Kit - Small Low Platform to Driver Side (Gap size 510W). Single Drawer O/A 1700L x 510W x 275H. Total Combo O/A 1700L x 1020W x 275H. (Suits RV-FS-1 or 3 *Not Included) | \$2,630.00 | N/A | |
| PS-010704-171227-1LL | Easy Access Combo 1 & Wing Kit - Large Low Platform to Passenger Side (Gap size 570W). Single Drawer O/A 1700L x 450W x 275H. Total Combo O/A 1700L x 1020W x 275H. (Suits all RV-FS listed below except SO *Not Included) | \$2,630.00 | N/A | |
| PS-010704-171227-1LR | Easy Access Combo 1 & Wing Kit - Large Low Platform to Driver Side (Gap size 570W). Single Drawer O/A 1700L x 450W x 275H. Total Combo O/A 1700L x 1020W x 275H. (Suits all RV-FS listed below except SO *Not Included) | \$2,630.00 | N/A | |
| PS-010704-171227-2SL | Easy Access Combo 2 & Wing Kit - Small Low Platform to Passenger Side (Gap size 510W). Double Stacked Drawers (Standard Height Bottom Drawer O/A 1700L x 510W x 275H, Trade Height Top Drawer O/A 1400L x 510W x 365H). Total Combo O/A 1700L x 1020W x 640H. (Suits RV-FS-1 or 3 *Not Included). Optional 1400L Standard Height top drawer minus -\$100.00 | \$3,375.00 | N/A | |
| PS-010704-171227-2SR | Easy Access Combo 2 & Wing Kit - Small Low Platform to Driver Side (Gap size 510W). Double Stacked Drawers (Standard Height Bottom Drawer O/A 1700L x 510W x 275H, Trade Height Top Drawer O/A 1400L x 510W x 365H). Total Combo O/A 1700L x 1020W x 640H. (Suits RV-FS-1 or 3 *Not Included). Optional 1400L Standard Height top drawer minus -\$100.00 | \$3,375.00 | N/A | |
| PS-010704-171227-2LL | Easy Access Combo 2 & Wing Kit - Large Low Platform to Passenger Side (Gap size 570W). Double Stacked Drawers (Standard Height Bottom Drawer O/A 1700L x 450W x 275H, Trade Height Top Drawer O/A 1400L x 450W x 365H). Total Combo O/A 1700L x 1020W x 640H. (Suits all RV-FS listed below except SO *Not Included). Optional 1400L Standard Height top drawer minus -\$100.00 | \$3,375.00 | N/A | |
| PS-010704-171227-2LR | Easy Access Combo 2 & Wing Kit - Large Low Platform to Driver Side (Gap size 570W). Double Stacked Drawers (Standard Height Bottom Drawer O/A 1700L x 450W x 275H, Trade Height Top Drawer O/A 1400L x 450W x 365H). Total Combo O/A 1700L x 1020W x 640H. (Suits all RV-FS listed below except SO *Not Included). Optional 1400L Standard Height top drawer minus -\$100.00 | \$3,375.00 | N/A | |
| RV-EAC-IFP-1700 | Easy Access Combo INFILL PANEL - covers fridge slide cavity to create a flat solid top effect (NOTE: top drawer must be removed on EAC-2 systems) | \$272.00 | N/A | |
| RV-CS-1451-00 | Cargo Shelf single - 1400L Ventilated side panel and solid top shelf to fit FS-1 (small fridge space) Suits EAC-1 1400L x 1020W | \$803.00 | N/A | |
| RV-CS-1457-00 | Cargo Shelf single - 1400L Ventilated side panel and solid top shelf to fit FS1.5 & FS-2 (large fridge space) Suits EAC-1 1400L x 1020W | \$803.00 | N/A | |
| RV-CS-0812-00 | Cargo Shelf double - 800L Ventilated side panel and solid top shelf system. Fits EAC-2 1400L x 1020W fitted with a Trade Height top | \$567.00 | N/A | |
| RV-IBFS-1300-DS | Inbuilt Fridge Slide - flush fitting 1300L (Driver Side) Premium drawers only | \$472.00 | N/A | |
| RV-IBFS-1300-PS | Inbuilt Fridge Slide - flush fitting 1300L (Passenger Side) Premium drawers only | \$472.00 | N/A | |
| PS/PA-RV-FS-1 | Heavy Duty Fridge Slide - 750L x 455W x 80H (external incl. Travel Lock) | \$472.00 | \$522.00 | |
| PS-RV-FS-1-SO | Heavy Duty Fridge Slide - 450L x 770W x 110H (external incl. Travel Lock) | \$472.00 | N/A | |
| PS/PA-RV-FS-1.5 | Heavy Duty Fridge Slide - 750L x 530W x 80H (external incl. Travel Lock) | \$520.00 | \$570.00 | |
| PS/PA-RV-FS-2 | Heavy Duty Fridge Slide - 850L x 560W x 80H (external incl. Travel Lock) | \$567.00 | \$617.00 | |
| PS-RV-FS-2-SO | Heavy Duty Fridge Slide - 550L x 870W x 110H (external incl. Travel Lock) | \$567.00 | N/A | |
| PS/PA-RV-FS-2.25 | Heavy Duty Fridge Slide - 950L x 560W x 80H (external incl. Travel Lock) | \$590.00 | \$640.00 | |
| PS/PA-RV-FS-2.5 | Heavy Duty Fridge Slide - 1050L x 560W x 80H (external incl. Travel Lock) | \$685.00 | \$735.00 | |
| PS/PA-RV-FS-3 | Heavy Duty Fridge Slide - 1410L x 455W x 80H (external incl. Travel Lock) | \$886.00 | \$961.00 | |
| PS/PA-RV-FS-3.5 | Heavy Duty Fridge Slide - 1410L x 560W x 80H (external incl. Travel Lock) | \$886.00 | \$961.00 | |

Travel Slide Drawers available on page 181

| VEHICLE MAKE MODEL | | NISSAN | | |
|---|--|---------------|---------------|--|
| NISSAN D23 NP300 NAVARA Dual Cab RX, ST (DEC 2020+) - 1450x1020 NO LINER | | NISSAN | | |
| PA: Premium Alloy PS: Premium Steel EL: EcoLite | TRADE HEIGHT DRAWERS +\$100 PER DRAWER | | | |
| | PREMLBK: PREMIUM BLACK RRP +180.00 (option) | | | |
| | DESCRIPTION (PRICES INCLUDE WING KIT UNLESS OTHERWISE STATED) | PS RRP | PA RRP | |
| PS/PA-010705-455127-SSL | Single Drawer & Wing Kit - Standard Height to Passenger Side 1450L x 510W x 275H | \$1,515.00 | \$1,665.00 | |
| PS/PA-010705-455127-SSR | Single Drawer & Wing Kit - Standard Height to Driver Side 1450L x 510W x 275H | \$1,515.00 | \$1,665.00 | |
| PS/PA-010705-455136-SHL | Single Drawer & Wing Kit - Trade Height to Passenger Side 1450L x 510W x 365H | \$1,615.00 | \$1,765.00 | |
| PS/PA-010705-455136-SHR | Single Drawer & Wing Kit - Trade Height to Driver Side 1450L x 510W x 365H | \$1,615.00 | \$1,765.00 | |
| EL-010705-451227-TDS | EcoLite Twin Drawer & Wing Kit - Standard Height 1450L x 1020W x 275H | \$2,110.00 | N/A | |
| PS/PA-010705-451227-TDS | Twin Drawer & Wing Kit - Standard Height 1450L x 1020W x 275H | \$2,925.00 | \$3,225.00 | |
| PS-010705-451236-TDH | Twin Drawer & Wing Kit - Trade Height 1450L x 1020W x 365H | \$3,125.00 | N/A | |
| PS/PA-010705-451230-FDC-E/D | Fridge Drawer Combo with 30L Engel/Dometic Fitkit - 1450L x 1020W x 300H **Fridge not included Liftout Hatch provided to access space behind the fridge (100mm narrower if tie downs added to top) - 633L x 431W | \$2,690.00 | \$2,840.00 | |
| PS/PA-010705-451236-FDC-EK | Fridge Drawer Combo with 40L EvaKool Fitkit - 1450L x 1020W x 365H **Fridge not included Liftout Hatch provided to access space behind the fridge (100mm narrower if tie downs added to top) - 633L x 560W | \$2,800.00 | \$2,950.00 | |
| PS/PA-010705-451236-FDC-IM | Fridge Drawer Combo with 40L Ironman Fitkit - 1450L x 1020W x 365H **Fridge not included Liftout Hatch provided to access space behind the fridge (100mm narrower if tie downs added to top) - 633L x 510W | \$2,800.00 | \$2,950.00 | |
| PS/PA-010705-451236-FDC-BM | Fridge Drawer Combo with 30L Bushman Fitkit - 1450L x 1020W x 365H **Fridge not included Liftout Hatch provided to access space behind the fridge (100mm narrower if tie downs added to top) - 633L x 431W | \$2,800.00 | \$2,950.00 | |
| PS/PA-010705-451227-1SL | Easy Access Combo 1 & Wing Kit - Small Low Platform to Passenger Side (Gap size 510W). Single Drawer O/A 1450L x 510W x 275H. Total Combo O/A 1450L x 1020W x 275H. (Suits RV-FS-1 or 3 *Not Included) | \$2,435.00 | \$2,585.00 | |
| PS/PA-010705-451227-1SR | Easy Access Combo 1 & Wing Kit - Small Low Platform to Driver Side (Gap size 510W). Single Drawer O/A 1450L x 510W x 275H. Total Combo O/A 1450L x 1020W x 275H. (Suits RV-FS-1 or 3 *Not Included) | \$2,435.00 | \$2,585.00 | |
| PS/PA-010705-451227-1LL | Easy Access Combo 1 & Wing Kit - Large Low Platform to Passenger Side (Gap size 570W). Single Drawer O/A 1450L x 450W x 275H. Total Combo O/A 1450L x 1020W x 275H. (Suits all RV-FS listed below except SO *Not Included) | \$2,435.00 | \$2,585.00 | |
| PS/PA-010705-451227-1LR | Easy Access Combo 1 & Wing Kit - Large Low Platform to Driver Side (Gap size 570W). Single Drawer O/A 1450L x 450W x 275H. Total Combo O/A 1450L x 1020W x 275H. (Suits all RV-FS listed below except SO *Not Included) | \$2,435.00 | \$2,585.00 | |
| PS/PA-010705-451227-2SL | Easy Access Combo 2 & Wing Kit - Small Low Platform to Passenger Side (Gap size 510W). Double Stacked Drawers (Standard Height Bottom Drawer O/A 1450L x 510W x 275H, Trade Height Top Drawer O/A 1100L x 510W x 365H). Total Combo O/A 1450L x 1020W x 640H. (Suits RV-FS-1 or 3 *Not Included). Optional 1100L Standard Height top drawer minus -\$100.00 | \$3,155.00 | \$3,455.00 | |
| PS/PA-010705-451227-2SR | Easy Access Combo 2 & Wing Kit - Small Low Platform to Driver Side (Gap size 510W). Double Stacked Drawers (Standard Height Bottom Drawer O/A 1450L x 510W x 275H, Trade Height Top Drawer O/A 1100L x 510W x 365H). Total Combo O/A 1450L x 1020W x 640H. (Suits RV-FS-1 or 3 *Not Included). Optional 1100L Standard Height top drawer minus -\$100.00 | \$3,155.00 | \$3,455.00 | |
| PS/PA-010705-451227-2LL | Easy Access Combo 2 & Wing Kit - Large Low Platform to Passenger Side (Gap size 570W). Double Stacked Drawers (Standard Height Bottom Drawer O/A 1450L x 450W x 275H, Trade Height Top Drawer O/A 1100L x 450W x 365H). Total Combo O/A 1450L x 1020W x 640H. (Suits all RV-FS listed below except SO *Not Included). Optional 1100L Standard Height top drawer minus -\$100.00 | \$3,155.00 | \$3,455.00 | |
| PS/PA-010705-451227-2LR | Easy Access Combo 2 & Wing Kit - Large Low Platform to Driver Side (Gap size 570W). Double Stacked Drawers (Standard Height Bottom Drawer O/A 1450L x 450W x 275H, Trade Height Top Drawer O/A 1100L x 450W x 365H). Total Combo O/A 1450L x 1020W x 640H. (Suits all RV-FS listed below except SO *Not Included). Optional 1100L Standard Height top drawer minus -\$100.00 | \$3,155.00 | \$3,455.00 | |
| RV-EAC-IFP-1450 | Easy Access Combo INFILL PANEL - covers fridge slide cavity to create a flat solid top effect (NOTE: top drawer must be removed on EAC-2 systems) | \$224.00 | N/A | |
| RV-CS-1451-00 | Cargo Shelf single - 1400L Ventilated side panel and solid top shelf to fit FS-1 (small fridge space) Suits EAC-1 1400L x 1020W | \$803.00 | N/A | |
| RV-CS-1457-00 | Cargo Shelf single - 1400L Ventilated side panel and solid top shelf to fit FS1.5 & FS-2 (large fridge space) Suits EAC-1 1400L x 1020W | \$803.00 | N/A | |
| RV-CS-0812-00 | Cargo Shelf double - 800L Ventilated side panel and solid top shelf system. Fits EAC-2 1400L x 1020W fitted with a Trade Height top | \$567.00 | N/A | |
| RV-IBFS-1300-DS | Inbuilt Fridge Slide - flush fitting 1300L (Driver Side) <i>Premium drawers only</i> | \$472.00 | N/A | |
| RV-IBFS-1300-PS | Inbuilt Fridge Slide - flush fitting 1300L (Passenger Side) <i>Premium drawers only</i> | \$472.00 | N/A | |
| PS/PA-RV-FS-1 | Heavy Duty Fridge Slide - 750L x 455W x 80H (external incl. Travel Lock) | \$472.00 | \$522.00 | |
| PS-RV-FS-1-SO | Heavy Duty Fridge Slide - 450L x 770W x 110H (external incl. Travel Lock) | \$472.00 | N/A | |
| PS/PA-RV-FS-1.5 | Heavy Duty Fridge Slide - 750L x 530W x 80H (external incl. Travel Lock) | \$520.00 | \$570.00 | |
| PS/PA-RV-FS-2 | Heavy Duty Fridge Slide - 850L x 560W x 80H (external incl. Travel Lock) | \$567.00 | \$617.00 | |
| PS-RV-FS-2-SO | Heavy Duty Fridge Slide - 550L x 870W x 110H (external incl. Travel Lock) | \$567.00 | N/A | |
| PS/PA-RV-FS-2.25 | Heavy Duty Fridge Slide - 950L x 560W x 80H (external incl. Travel Lock) | \$590.00 | \$640.00 | |
| PS/PA-RV-FS-2.5 | Heavy Duty Fridge Slide - 1050L x 560W x 80H (external incl. Travel Lock) | \$685.00 | \$735.00 | |
| PS/PA-RV-FS-3 | Heavy Duty Fridge Slide - 1410L x 455W x 80H (external incl. Travel Lock) | \$886.00 | \$961.00 | |
| PS/PA-RV-FS-3.5 | Heavy Duty Fridge Slide - 1410L x 560W x 80H (external incl. Travel Lock) | \$886.00 | \$961.00 | |
| Travel Slide Drawers available on page 181 | | | | |
| Inbuilt Fridge Slides N/A for alloy drawers | | | | |

| VEHICLE MAKE MODEL | | NISSAN | | |
|---|---|------------|------------|--|
| NISSAN D23 NP300 NAVARA Dual Cab (Dec 2020+) - 1400x1020 GENUINE LINER + SIDE TRACKS | | NISSAN | | |
| PA: Premium Alloy PS: Premium Steel EL: EcoLite | TRADE HEIGHT DRAWERS +\$100 PER DRAWER | | | |
| PREMLK: PREMIUM BLACK RRP +180.00 (option) | | | | |
| DESCRIPTION (PRICES INCLUDE WING KIT UNLESS OTHERWISE STATED) | | PS RRP | PA RRP | |
| PS/PA-010706-145127-SSL | Single Drawer & Wing Kit - Standard Height to Passenger Side 1400L x 510W x 275H | \$1,485.00 | \$1,635.00 | |
| PS/PA-010706-145127-SSR | Single Drawer & Wing Kit - Standard Height to Driver Side 1400L x 510W x 275H | \$1,485.00 | \$1,635.00 | |
| PS/PA-010706-145136-SHL | Single Drawer & Wing Kit - Trade Height to Passenger Side 1400L x 510W x 365H | \$1,585.00 | \$1,735.00 | |
| PS/PA-010706-145136-SHR | Single Drawer & Wing Kit - Trade Height to Driver Side 1400L x 510W x 365H | \$1,585.00 | \$1,735.00 | |
| EL-010706-141227-TDS | EcoLite Twin Drawer & Wing Kit - Standard Height 1400L x 1020W x 275H | \$2,080.00 | N/A | |
| PS/PA-010706-141227-TDS | Twin Drawer & Wing Kit - Standard Height 1400L x 1020W x 275H | \$2,870.00 | \$3,170.00 | |
| PS/PA-010706-141236-TDH | Twin Drawer & Wing Kit - Trade Height 1400L x 1020W x 365H | \$3,070.00 | \$3,370.00 | |
| PS/PA-010706-141230-FDC-E/D | Fridge Drawer Combo with 30L Engel/Dometic Fitkit - 1400L x 1020W x 300H **Fridge not included Liftout Hatch provided to access space behind the fridge (100mm narrower if tie downs added to top) - 583L x 431W | \$2,690.00 | \$2,840.00 | |
| PS/PA-010706-141236-FDC-EK | Fridge Drawer Combo with 40L EvaKool Fitkit - 1400L x 1020W x 365H **Fridge not included Liftout Hatch provided to access space behind the fridge (100mm narrower if tie downs added to top) - 583L x 560W | \$2,800.00 | \$2,950.00 | |
| PS/PA-010706-141236-FDC-IM | Fridge Drawer Combo with 40L Ironman Fitkit - 1400L x 1020W x 365H **Fridge not included Liftout Hatch provided to access space behind the fridge (100mm narrower if tie downs added to top) - 583L x 510W | \$2,800.00 | \$2,950.00 | |
| PS/PA-010706-141236-FDC-BM | Fridge Drawer Combo with 30L Bushman Fitkit - 1400L x 1020W x 365H **Fridge not included Liftout Hatch provided to access space behind the fridge (100mm narrower if tie downs added to top) - 583L x 431W | \$2,800.00 | \$2,950.00 | |
| PS/PA-010706-141227-1SL | Easy Access Combo 1 & Wing Kit - Small Low Platform to Passenger Side (Gap size 510W). Single Drawer O/A 1400L x 510W x 275H. Total Combo O/A 1400L x 1020W x 275H. (Suits RV-FS-1 or 3 *Not Included) | \$2,410.00 | \$2,560.00 | |
| PS/PA-010706-141227-1SR | Easy Access Combo 1 & Wing Kit - Small Low Platform to Driver Side (Gap size 510W). Single Drawer O/A 1400L x 510W x 275H. Total Combo O/A 1400L x 1020W x 275H. (Suits RV-FS-1 or 3 *Not Included) | \$2,410.00 | \$2,560.00 | |
| PS/PA-010706-141227-1LL | Easy Access Combo 1 & Wing Kit - Large Low Platform to Passenger Side (Gap size 570W). Single Drawer O/A 1400L x 450W x 275H. Total Combo O/A 1400L x 1020W x 275H. (Suits all RV-FS listed below except SO *Not Included) | \$2,410.00 | \$2,560.00 | |
| PS/PA-010706-141227-1LR | Easy Access Combo 1 & Wing Kit - Large Low Platform to Driver Side (Gap size 570W). Single Drawer O/A 1400L x 450W x 275H. Total Combo O/A 1400L x 1020W x 275H. (Suits all RV-FS listed below except SO *Not Included) | \$2,410.00 | \$2,560.00 | |
| PS/PA-010706-141227-2SL | Easy Access Combo 2 & Wing Kit - Small Low Platform to Passenger Side (Gap size 510W). Double Stacked Drawers (Standard Height Bottom Drawer O/A 1400L x 510W x 275H, Trade Height Top Drawer O/A 1100L x 510W x 365H). Total Combo O/A 1400L x 1020W x 640H. (Suits RV-FS-1 or 3 *Not Included). Optional 1100L Standard Height top drawer minus -\$100.00 | \$3,100.00 | \$3,400.00 | |
| PS/PA-010706-141227-2SR | Easy Access Combo 2 & Wing Kit - Small Low Platform to Driver Side (Gap size 510W). Double Stacked Drawers (Standard Height Bottom Drawer O/A 1400L x 510W x 275H, Trade Height Top Drawer O/A 1100L x 510W x 365H). Total Combo O/A 1400L x 1020W x 640H. (Suits RV-FS-1 or 3 *Not Included). Optional 1100L Standard Height top drawer minus -\$100.00 | \$3,100.00 | \$3,400.00 | |
| PS/PA-010706-141227-2LL | Easy Access Combo 2 & Wing Kit - Large Low Platform to Passenger Side (Gap size 570W). Double Stacked Drawers (Standard Height Bottom Drawer O/A 1400L x 450W x 275H, Trade Height Top Drawer O/A 1100L x 450W x 365H). Total Combo O/A 1400L x 1020W x 640H. (Suits all RV-FS listed below except SO *Not Included). Optional 1100L Standard Height top drawer minus -\$100.00 | \$3,100.00 | \$3,400.00 | |
| PS/PA-010706-141227-2LR | Easy Access Combo 2 & Wing Kit - Large Low Platform to Driver Side (Gap size 570W). Double Stacked Drawers (Standard Height Bottom Drawer O/A 1400L x 450W x 275H, Trade Height Top Drawer O/A 1100L x 450W x 365H). Total Combo O/A 1400L x 1020W x 640H. (Suits all RV-FS listed below except SO *Not Included). Optional 1100L Standard Height top drawer minus -\$100.00 | \$3,100.00 | \$3,400.00 | |
| RV-EAC-IFP-1400 | Easy Access Combo INFILL PANEL - covers fridge slide cavity to create a flat solid top effect (NOTE: top drawer must be removed on EAC-2 systems) | \$224.00 | N/A | |
| RV-CS-1451-00 | Cargo Shelf single - 1400L Ventilated side panel and solid top shelf to fit FS-1 (small fridge space) Suits EAC-1 1400L x 1020W | \$803.00 | N/A | |
| RV-CS-1457-00 | Cargo Shelf single - 1400L Ventilated side panel and solid top shelf to fit FS1.5 & FS-2 (large fridge space) Suits EAC-1 1400L x 1020W | \$803.00 | N/A | |
| RV-CS-0812-00 | Cargo Shelf double - 800L Ventilated side panel and solid top shelf system. Fits EAC-2 1400L x 1020W fitted with a Trade Height top | \$567.00 | N/A | |
| RV-IBFS-1300-DS | Inbuilt Fridge Slide - flush fitting 1300L (Driver Side) Premium drawers only | \$472.00 | N/A | |
| RV-IBFS-1300-PS | Inbuilt Fridge Slide - flush fitting 1300L (Passenger Side) Premium drawers only | \$472.00 | N/A | |
| PS/PA-RV-FS-1 | Heavy Duty Fridge Slide - 750L x 455W x 80H (external incl. Travel Lock) | \$472.00 | \$522.00 | |
| PS-RV-FS-1-SO | Heavy Duty Fridge Slide - 450L x 770W x 110H (external incl. Travel Lock) | \$472.00 | N/A | |
| PS/PA-RV-FS-1.5 | Heavy Duty Fridge Slide - 750L x 530W x 80H (external incl. Travel Lock) | \$520.00 | \$570.00 | |
| PS/PA-RV-FS-2 | Heavy Duty Fridge Slide - 850L x 560W x 80H (external incl. Travel Lock) | \$567.00 | \$617.00 | |
| PS-RV-FS-2-SO | Heavy Duty Fridge Slide - 550L x 870W x 110H (external incl. Travel Lock) | \$567.00 | N/A | |
| PS/PA-RV-FS-2.25 | Heavy Duty Fridge Slide - 950L x 560W x 80H (external incl. Travel Lock) | \$590.00 | \$640.00 | |
| PS/PA-RV-FS-2.5 | Heavy Duty Fridge Slide - 1050L x 560W x 80H (external incl. Travel Lock) | \$685.00 | \$735.00 | |
| PS/PA-RV-FS-3 | Heavy Duty Fridge Slide - 1410L x 455W x 80H (external incl. Travel Lock) | \$886.00 | \$961.00 | |
| PS/PA-RV-FS-3.5 | Heavy Duty Fridge Slide - 1410L x 560W x 80H (external incl. Travel Lock) | \$886.00 | \$961.00 | |

Travel Slide Drawers available on page 181
Inbuilt Fridge Slides N/A for alloy drawers

| VEHICLE MAKE MODEL | RENAULT KANGOO VAN 4 DOOR (2008) - 1300x970 RENAULT | | |
|---|---|---------------|---------------|
| PA: Premium Alloy PS: Premium Steel EL: EcoLite | TRADE HEIGHT DRAWERS +\$100 PER DRAWER | | |
| | PREMBLK: PREMIUM BLACK RRP +180.00 (option) | | |
| | DESCRIPTION (PRICES INCLUDE WING KIT UNLESS OTHERWISE STATED) | PS RRP | PA RRP |
| PS/PA-140101-134827-SSL | Single Drawer & Wing Kit - Standard Height to Passenger Side 1300L x 485W x 275H | \$1,460.00 | \$1,610.00 |
| PS/PA-140101-134827-SSR | Single Drawer & Wing Kit - Standard Height to Driver Side 1300L x 485W x 275H | \$1,460.00 | \$1,610.00 |
| EL-140101-139727-TDS | EcoLite Twin Drawer & Wing Kit - Standard Height 1300L x 970W x 275H | \$2,020.00 | N/A |
| PS/PA-140101-139727-TDS | Twin Drawer & Wing Kit - Standard Height 1300L x 970W x 275H | \$2,815.00 | \$3,115.00 |
| PS/PA-RV-FS-1 | Heavy Duty Fridge Slide - 750L x 455W x 80H (external incl. Travel Lock) | \$472.00 | \$522.00 |
| PS-RV-FS-1-SO | Heavy Duty Fridge Slide - 450L x 770W x 110H (external incl. Travel Lock) | \$472.00 | N/A |
| PS/PA-RV-FS-1.5 | Heavy Duty Fridge Slide - 750L x 530W x 80H (external incl. Travel Lock) | \$520.00 | \$570.00 |
| PS/PA-RV-FS-2 | Heavy Duty Fridge Slide - 850L x 560W x 80H (external incl. Travel Lock) | \$567.00 | \$617.00 |
| PS-RV-FS-2-SO | Heavy Duty Fridge Slide - 550L x 870W x 110H (external incl. Travel Lock) | \$567.00 | N/A |
| PS/PA-RV-FS-2.25 | Heavy Duty Fridge Slide - 950L x 560W x 80H (external incl. Travel Lock) | \$590.00 | \$640.00 |
| PS/PA-RV-FS-2.5 | Heavy Duty Fridge Slide - 1050L x 560W x 80H (external incl. Travel Lock) | \$685.00 | \$735.00 |
| RV-IBFS-1300-DS | Inbuilt Fridge Slide - flush fitting 1300L (Driver Side) <i>Premium drawers only</i> | \$472.00 | N/A |
| RV-IBFS-1300-PS | Inbuilt Fridge Slide - flush fitting 1300L (Passenger Side) <i>Premium drawers only</i> | \$472.00 | N/A |
| Inbuilt Fridge Slides N/A for alloy drawers | | | |

| VEHICLE MAKE MODEL | RENAULT TRAFIC VAN LWB (2019 +) - 1500x1140 / 1400x900 RENAULT | | |
|---|--|------------|------------|
| PA: Premium Alloy PS: Premium Steel EL: EcoLite | TRADE HEIGHT DRAWERS +\$100 PER DRAWER | | |
| | PREMBLK: PREMIUM BLACK RRP +180.00 (option) | | |
| | DESCRIPTION <i>(PRICES INCLUDE WING KIT UNLESS OTHERWISE STATED)</i> | PS RRP | PA RRP |
| PS-140201-155727-SSL | Single Drawer & Wing Kit REAR DOOR - Standard Height to Passenger Side 1500L x 570W x 275H | \$1,560.00 | N/A |
| PS-140201-155727-SSR | Single Drawer & Wing Kit REAR DOOR - Standard Height to Driver Side 1500L x 570W x 275H | \$1,560.00 | N/A |
| PS-140201-155736-SHL | Single Drawer & Wing Kit REAR DOOR - Trade Height to Passenger Side 1500L x 570W x 365 | \$1,660.00 | N/A |
| PS-140201-155736-SHR | Single Drawer & Wing Kit REAR DOOR - Trade Height to Driver Side 1500L x 570W x 365 | \$1,660.00 | N/A |
| EL-140201-151227-TDS | EcoLite Twin Drawer & Wing Kit - Standard Height 1500L x 1020W x 275H (NOTE EcoLite Width: 1020W) | \$2,150.00 | N/A |
| PS-140201-151427-TDS | Twin Drawer & Wing Kit REAR DOOR - Standard Height 1500L x 1140W x 275H | \$3,025.00 | N/A |
| PS-140201-151436-TDH | Twin Drawer & Wing Kit REAR DOOR - Trade Height 1500L x 1140W x 365H | \$3,225.00 | N/A |
| EL-140202-149027-TDS | EcoLite Twin Drawer & Wing Kit - Standard Height 1400L x 900W x 275H | \$2,070.00 | N/A |
| PS/PA-140202-149027-TDS | Twin Drawer & Wing Kit SIDE DOOR - Standard Height 1400L x 900W x 275H | \$2,870.00 | \$3,170.00 |
| PS/PA-140202-149036-TDH | Twin Drawer & Wing Kit SIDE DOOR - Trade Height 1400L x 900W x 365H | \$3,070.00 | \$3,370.00 |
| RV-IBFS-1300-DS | Inbuilt Fridge Slide - flush fitting 1300L (Driver Side) <i>Premium drawers only</i> | \$472.00 | N/A |
| RV-IBFS-1300-PS | Inbuilt Fridge Slide - flush fitting 1300L (Passenger Side) <i>Premium drawers only</i> | \$472.00 | N/A |
| PS/PA-RV-FS-1 | Heavy Duty Fridge Slide - 750L x 455W x 80H (external incl. Travel Lock) | \$472.00 | \$522.00 |
| PS-RV-FS-1-SO | Heavy Duty Fridge Slide - 450L x 770W x 110H (external incl. Travel Lock) | \$472.00 | N/A |
| PS/PA-RV-FS-1.5 | Heavy Duty Fridge Slide - 750L x 530W x 80H (external incl. Travel Lock) | \$520.00 | \$570.00 |
| PS/PA-RV-FS-2 | Heavy Duty Fridge Slide - 850L x 560W x 80H (external incl. Travel Lock) | \$567.00 | \$617.00 |
| PS-RV-FS-2-SO | Heavy Duty Fridge Slide - 550L x 870W x 110H (external incl. Travel Lock) | \$567.00 | N/A |
| PS/PA-RV-FS-2.25 | Heavy Duty Fridge Slide - 950L x 560W x 80H (external incl. Travel Lock) | \$590.00 | \$640.00 |
| PS/PA-RV-FS-2.5 | Heavy Duty Fridge Slide - 1050L x 560W x 80H (external incl. Travel Lock) | \$685.00 | \$735.00 |
| PS/PA-RV-FS-3 | Heavy Duty Fridge Slide - 1410L x 455W x 80H (external incl. Travel Lock) | \$886.00 | \$961.00 |
| PS/PA-RV-FS-3.5 | Heavy Duty Fridge Slide - 1410L x 560W x 80H (external incl. Travel Lock) | \$886.00 | \$961.00 |
| Inbuilt Fridge Slides N/A for alloy drawers | | | |

| VEHICLE MAKE MODEL | TOYOTA FJ Cruiser 15 Series 5 Seater (Feb 2011+) - 700x970 TOYOTA | | |
|--|--|-----------------------|-----------------------|
| PA: Premium Alloy PS: Premium Steel EL: EcoLite | TRADE HEIGHT DRAWERS +\$100 PER DRAWER | | |
| | PREMBLK: PREMIUM BLACK RRP +180.00 (option) | | |
| | <small>DESCRIPTION (PRICES INCLUDE WING KIT UNLESS OTHERWISE STATED)</small> | <small>PS RRP</small> | <small>PA RRP</small> |
| PS/PA-020001-074827-SSL | Single Drawer & Wing Kit - Standard Height to Passenger Side 700L x 485W x 275H | \$1,295.00 | \$1,445.00 |
| PS/PA-020001-074827-SSR | Single Drawer & Wing Kit - Standard Height to Driver Side 700L x 485W x 275H | \$1,295.00 | \$1,445.00 |
| EL-020001-079727-TDS | EcoLite Twin Drawer & Wing Kit - Standard Height 700L x 970W x 275H | \$1,775.00 | N/A |
| PS/PA-020001-079727-TDS | Twin Drawer & Wing Kit - Standard Height 700L x 970W x 275H | \$2,485.00 | \$2,785.00 |
| PS-RV-FS-1-SO | Heavy Duty Fridge Slide - 450L x 770W x 110H (external incl. Travel Lock) | \$472.00 | N/A |
| PS-RV-FS-2-SO | Heavy Duty Fridge Slide - 550L x 870W x 110H (external incl. Travel Lock) | \$567.00 | N/A |
| RV-020001-HCB | Rear Cargo Barrier - Half height for fitment to RV drawer system, ADR Compliant | \$685.00 | N/A |
| No Inbuilt Fridge Slide available - Latch will not fit in the fascia | | | |

| VEHICLE MAKE MODEL | TOYOTA 76 Series Landcruiser 4 Door Wagon GXL, Workmate (2008+) - 900x970 / 850x970 | TOYOTA | |
|---|---|------------|------------|
| PA: Premium Alloy PS: Premium Steel EL: EcoLite | TRADE HEIGHT DRAWERS +\$100 PER DRAWER | | |
| | PREMBLK: PREMIUM BLACK RRP +180.00 (option) | | |
| DESCRIPTION (PRICES INCLUDE WING KIT UNLESS OTHERWISE STATED) | PS RRP | PA RRP | |
| PS/PA-020101-094827-SSL | Single Drawer & Wing Kit - Standard Height to Passenger Side 900L x 485W x 275H | \$1,350.00 | \$1,500.00 |
| PS/PA-020101-094827-SSR | Single Drawer & Wing Kit - Standard Height to Driver Side 900L x 485W x 275H | \$1,350.00 | \$1,500.00 |
| EL-020101-099727-TDS | EcoLite Twin Drawer & Wing Kit - Standard Height 900L x 970W x 275H | \$1,900.00 | N/A |
| PS/PA-020101-099727-TDS | Twin Drawer & Wing Kit - Standard Height 900L x 970W x 275H | \$2,595.00 | \$2,895.00 |
| PS/PA-020101-859736-TDH | Twin Drawer & Wing Kit - Trade Height 850L x 970W x 365H | \$2,795.00 | \$3,095.00 |
| PS/PA-020101-099730-FDC-E/D | Fridge Drawer Combo with 30L Engel/Dometic Fitkit - 900L x 970W x 300H **Fridge not included Liftout Hatch provided to access space behind the fridge (100mm narrower if tie downs added to top) - 133L x 431W | \$2,625.00 | \$2,775.00 |
| PS/PA-020101-859736-FDC-EK | Fridge Drawer Combo with 40L EvaKool Fitkit - 850L x 970W x 365H **Fridge not included NO LIFTOUT HATCH | \$2,635.00 | \$2,785.00 |
| PS/PA-020101-859736-FDC-IM | Fridge Drawer Combo with 40L Ironman Fitkit - 850L x 970W x 365H **Fridge not included NO LIFTOUT HATCH | \$2,635.00 | \$2,785.00 |
| PS/PA-020101-859736-FDC-BM | Fridge Drawer Combo with 30L Bushman Fitkit - 850L x 970W x 365H **Fridge not included NO LIFTOUT HATCH | \$2,635.00 | \$2,785.00 |
| PA-020101-099730-FDS-E/D | Engel/Dometic Fridge Drawer Stacker with Engel/Dometic Fitkit - 900L x 970W x 300H **Fridge not included Liftout Hatch provided to access space behind the fridge (100mm narrower if tie downs added to top) - 133L x 431W | N/A | \$3,611.00 |
| PA-020101-859736-FDS-EK | EvaKool Fridge Drawer Stacker with EvaKool Fitkit - 850L x 970W x 365H **Fridge not included NO LIFTOUT HATCH | N/A | \$3,621.00 |
| PA-020101-859736-FDS-BM | Bushman Fridge Drawer Stacker with Bushman Fitkit - 850L x 970W x 365H **Fridge not included NO LIFTOUT HATCH | N/A | \$3,621.00 |
| PS/PA-020101-099727-1SL | Easy Access Combo 1 & Wing Kit - Small Low Platform to Passenger Side (Gap size 485W). Single Drawer O/A 900L x 485W x 275H. Total Combo O/A 900L x 970W x 275H. (Suits RV-FS-1 *Not Included) (Suits Cargo Shelf Single 485W *Not Included) | \$2,135.00 | \$2,285.00 |
| PS/PA-020101-099727-1SR | Easy Access Combo 1 & Wing Kit - Small Low Platform to Driver Side (Gap size 485W). Single Drawer O/A 900L x 485W x 275H. Total Combo O/A 900L x 970W x 275H. (Suits RV-FS-1 *Not Included) (Suits Cargo Shelf Single 485W *Not Included) | \$2,135.00 | \$2,285.00 |
| PS/PA-020101-099727-1LL | Easy Access Combo 1 & Wing Kit - Large Low Platform to Passenger Side (Gap size 570W). Single Drawer O/A 900L x 400W x 275H. Total Combo O/A 900L x 970W x 275H. (Suits all RV-FS listed below except SO *Not Included) (Suits Cargo Shelf Single 570W *Not Included) | \$2,135.00 | \$2,285.00 |
| PS/PA-020101-099727-1LR | Easy Access Combo 1 & Wing Kit - Large Low Platform to Driver Side (Gap size 570W). Single Drawer O/A 900L x 400W x 275H. Total Combo O/A 900L x 970W x 275H. (Suits all RV-FS listed below except SO *Not Included) (Suits Cargo Shelf Single 570W *Not Included) | \$2,135.00 | \$2,285.00 |
| PS/PA-020101-099727-2SL | Easy Access Combo 2 & Wing Kit - Small Low Platform to Passenger Side (Gap size 485W). Double Stacked Drawers (Standard Height Bottom Drawer O/A 900L x 485W x 275H, Trade Height Top Drawer O/A 700L x 485W x 365H). Total Combo O/A 900L x 970W x 640H. (Suits RV-FS-1 *Not Included) (Suits Cargo Shelf Double 970W *Not Included). Optional 700L Standard Height top drawer minus -\$100.00, but cannot have Double Cargo Shelf. | \$2,825.00 | \$3,125.00 |
| PS/PA-020101-099727-2SR | Easy Access Combo 2 & Wing Kit - Small Low Platform to Driver Side (Gap size 485W). Double Stacked Drawers (Standard Height Bottom Drawer O/A 900L x 485W x 275H, Trade Height Top Drawer O/A 700L x 485W x 365H). Total Combo O/A 900L x 970W x 640H. (Suits RV-FS-1 *Not Included) (Suits Cargo Shelf Double 970W *Not Included). Optional 700L Standard Height top drawer minus -\$100.00, but cannot have Double Cargo Shelf. | \$2,825.00 | \$3,125.00 |
| PS/PA-020101-099727-2LL | Easy Access Combo 2 & Wing Kit - Large Low Platform to Passenger Side (Gap size 570W). Double Stacked Drawers (Standard Height Bottom Drawer O/A 900L x 400W x 275H, Trade Height Top Drawer O/A 700L x 400W x 365H). Total Combo O/A 900L x 970W x 640H. (Suits all RV-FS listed below except SO *Not Included) (Suits Cargo Shelf Double 970W *Not Included). Optional 700L Standard Height top drawer minus -\$100.00, but cannot have Double Cargo Shelf. | \$2,825.00 | \$3,125.00 |
| PS/PA-020101-099727-2LR | Easy Access Combo 2 & Wing Kit - Large Low Platform to Driver Side (Gap size 570W). Double Stacked Drawers (Standard Height Bottom Drawer O/A 900L x 400W x 275H, Trade Height Top Drawer O/A 700L x 400W x 365H). Total Combo O/A 900L x 970W x 640H. (Suits all RV-FS listed below except SO *Not Included) (Suits Cargo Shelf Double 970W *Not Included). Optional 700L Standard Height top drawer minus -\$100.00, but cannot have Double Cargo Shelf. | \$2,825.00 | \$3,125.00 |
| PA-020101-859736-TC | Tourer Combo & Wing Kit - Low Platform to Passenger Side for Bushman 85L Upright Fridge (Gap size 510W). Triple Stacked Drawers Driver Side (Slimline Bottom Drawer I/D 780L x 395W x 59H Standard Height Middle Drawer I/D 780L x 395W x 190H, Trade Height Top Drawer I/D 630L x 395W x 270H). Total Combo O/A 850L x 970W x 731H. (Includes Cargo Shelf Double, Bushman 85L Upright Fridge, Drawer Lids for Slimline and Standard height drawers). | N/A | \$6,130.00 |
| RV-EAC-IFP-900 | Easy Access Combo INFILL PANEL - covers fridge slide cavity to create a flat solid top effect (NOTE: top drawer must be removed on EAC-2 systems) | \$164.00 | N/A |
| RV-CS-0748-00 | Cargo Shelf single- 700L Ventilated side panel and solid top shelf to fit FS-1 (small fridge space). Fits EAC-1 900L x 970W | \$520.00 | N/A |
| RV-CS-0757-00 | Cargo Shelf single- 700L Ventilated side panel and solid top shelf to fit FS-1.5 & 2 (large fridge space). Fits EAC-1 900L x 970W | \$520.00 | N/A |
| RV-CS-0797-00 | Cargo Shelf double- 700L Ventilated side panel and solid top shelf system to suit EAC-2 900L x 970W fitted with a Trade Height top drawer | \$567.00 | N/A |
| RV-IBFS-900-DS | Inbuilt Fridge Slide - flush fitting 900L (Driver Side) Premium drawers only | \$413.00 | \$413.00 |
| RV-IBFS-900-PS | Inbuilt Fridge Slide - flush fitting 900L (Passenger Side) Premium drawers only | \$413.00 | \$413.00 |
| PS/PA-RV-FS-1 | Heavy Duty Fridge Slide - 750L x 455W x 80H (external incl. Travel Lock) | \$472.00 | \$522.00 |
| PS-RV-FS-1-SO | Heavy Duty Fridge Slide - 450L x 770W x 110H (external incl. Travel Lock) | \$472.00 | N/A |
| PS/PA-RV-FS-1.5 | Heavy Duty Fridge Slide - 750L x 530W x 80H (external incl. Travel Lock) | \$520.00 | \$570.00 |
| PS/PA-RV-FS-2 | Heavy Duty Fridge Slide - 850L x 560W x 80H (external incl. Travel Lock) **Not Available For Trade Height | \$567.00 | \$617.00 |
| PS-RV-FS-2-SO | Heavy Duty Fridge Slide - 550L x 870W x 110H (external incl. Travel Lock) | \$567.00 | N/A |
| RV-020101-HCB | Rear Cargo Barrier - Half height for fitment to RV drawer system, ADR Compliant | \$685.00 | N/A |
| RV-020101-TSC | Rear Top Shelf & Dividing Barrier Combination - For fitment to RV cargo barrier & drawer system **Standard Height Only | \$704.00 | N/A |
| RV-020101-FTF-A | Forward Twin Floor - Twin carpeted floor system for fitment to RV drawer system, ADR Compliant **2008-August 2023 model | \$886.00 | N/A |
| RV-020101-FTF-B | Forward Twin Floor - Twin carpeted floor system for fitment to RV drawer system, ADR Compliant **September 2023+ model | \$886.00 | N/A |
| RV-020101-FCB-A | Forward Cargo Barrier - Half height for fitment to RV Forward Twin Floor, ADR Compliant **2008-August 2023 model | \$685.00 | N/A |
| RV-020101-FCB-B | Forward Cargo Barrier - Half height for fitment to RV Forward Twin Floor, ADR Compliant **September 2023+ model | \$685.00 | N/A |

Travel Slide Drawers available on page 181. Travel Slide Drawer Not Available in Trade Height EAC1.
Inbuilt Fridge Slides N/A for Trade Height alloy drawers
Dividing Barrier N/A for trade height drawers

| VEHICLE MAKE MODEL | TOYOTA 70 Series Troop Carrier GXL, Workmate (1975-2007) - 2nd Row of Seats Fitted - 1300x970 | TOYOTA | |
|--|---|------------|------------|
| TRADE HEIGHT DRAWERS +\$100 PER DRAWER | | | |
| PREMBLK: PREMIUM BLACK RRP +180.00 (option) | | | |
| PA: Premium Alloy PS: Premium Steel EL: EcoLite | DESCRIPTION (PRICES INCLUDE WING KIT UNLESS OTHERWISE STATED) | PS RRP | PA RRP |
| PS/PA-020110-134827-SSL | Single Drawer & Wing Kit 2ND ROW SEATS - Standard Height to Passenger Side 1300L x 485W x 275H | \$1,460.00 | \$1,610.00 |
| PS/PA-020110-134827-SSR | Single Drawer & Wing Kit 2ND ROW SEATS - Standard Height to Driver Side 1300L x 485W x 275H | \$1,460.00 | \$1,610.00 |
| PS/PA-020110-134836-SHL | Single Drawer & Wing Kit 2ND ROW SEATS - Trade Height to Passenger Side 1300L x 485W x 365H | \$1,560.00 | \$1,710.00 |
| PS/PA-020110-134836-SHR | Single Drawer & Wing Kit 2ND ROW SEATS - Trade Height to Driver Side 1300L x 485W x 365H | \$1,560.00 | \$1,710.00 |
| EL-020110-139727-TDS | EcoLite Twin Drawer & Wing Kit 2ND ROW SEATS - Standard Height 1300L x 970W x 275H | \$2,020.00 | N/A |
| PS/PA-020110-139727-TDS | Twin Drawer & Wing Kit 2ND ROW SEATS - Standard Height 1300L x 970W x 275H | \$2,815.00 | \$3,115.00 |
| PS/PA-020110-139736-TDH | Twin Drawer & Wing Kit 2ND ROW SEATS - Trade Height 1300L x 970W x 365H | \$3,015.00 | \$3,315.00 |
| PS/PA-020110-139730-FDC-E/D | Fridge Drawer Combo with 30L Engel/Dometic Fitkit - 1300L x 970W x 300H **Fridge not included Liftout Hatch provided to access space behind the fridge (100mm narrower if tie downs added to top) - 483L x 431W | \$2,635.00 | \$2,785.00 |
| PS/PA-020110-139736-FDC-EK | Fridge Drawer Combo with 40L EvaKool Fitkit - 1300L x 970W x 365H **Fridge not included Liftout Hatch provided to access space behind the fridge (100mm narrower if tie downs added to top) - 483L x 560W | \$2,745.00 | \$2,895.00 |
| PS/PA-020110-139736-FDC-IM | Fridge Drawer Combo with 40L Ironman Fitkit - 1300L x 970W x 365H **Fridge not included Liftout Hatch provided to access space behind the fridge (100mm narrower if tie downs added to top) - 483L x 510W | \$2,745.00 | \$2,895.00 |
| PS/PA-020110-139736-FDC-BM | Fridge Drawer Combo with 30L Bushman Fitkit - 1300L x 970W x 365H **Fridge not included Liftout Hatch provided to access space behind the fridge (100mm narrower if tie downs added to top) - 483L x 431W | \$2,745.00 | \$2,895.00 |
| PS/PA-020110-139727-1SL | Easy Access Combo 1 & Wing Kit - Small Low Platform to Passenger Side (Gap size 485W). Single Drawer O/A 1300L x 485W x 275H. Total Combo O/A 1300L x 970W x 275H. (Suits RV-FS-1 *Not Included) | \$2,355.00 | \$2,505.00 |
| PS/PA-020110-139727-1SR | Easy Access Combo 1 & Wing Kit - Small Low Platform to Driver Side (Gap size 485W). Single Drawer O/A 1300L x 485W x 275H. Total Combo O/A 1300L x 970W x 275H. (Suits RV-FS-1 *Not Included) | \$2,355.00 | \$2,505.00 |
| PS/PA-020110-139727-1LL | Easy Access Combo 1 & Wing Kit - Large Low Platform to Passenger Side (Gap size 570W). Single Drawer O/A 1300L x 400W x 275H. Total Combo O/A 1300L x 970W x 275H. (Suits all RV-FS listed below except SO *Not Included) | \$2,355.00 | \$2,505.00 |
| PS/PA-020110-139727-1LR | Easy Access Combo 1 & Wing Kit - Large Low Platform to Driver Side (Gap size 570W). Single Drawer O/A 1300L x 400W x 275H. Total Combo O/A 1300L x 970W x 275H. (Suits all RV-FS listed below except SO *Not Included) | \$2,355.00 | \$2,505.00 |
| PS/PA-020110-139727-2SL | Easy Access Combo 2 & Wing Kit - Small Low Platform to Passenger Side (Gap size 485W). Double Stacked Drawers (Standard Height Bottom Drawer O/A 1300L x 485W x 275H, Trade Height Top Drawer O/A 1100L x 485W x 365H). Total Combo O/A 1300L x 970W x 640H. (Suits RV-FS-1 *Not Included). Optional 1100L Standard Height top drawer minus -\$100.00 | \$3,045.00 | \$3,345.00 |
| PS/PA-020110-139727-2SR | Easy Access Combo 2 & Wing Kit - Small Low Platform to Driver Side (Gap size 485W). Double Stacked Drawers (Standard Height Bottom Drawer O/A 1300L x 485W x 275H, Trade Height Top Drawer O/A 1100L x 485W x 365H). Total Combo O/A 1300L x 970W x 640H. (Suits RV-FS-1 *Not Included). Optional 1100L Standard Height top drawer minus -\$100.00 | \$3,045.00 | \$3,345.00 |
| PS/PA-020110-139727-2LL | Easy Access Combo 2 & Wing Kit - Large Low Platform to Passenger Side (Gap size 570W). Double Stacked Drawers (Standard Height Bottom Drawer O/A 1300L x 400W x 275H, Trade Height Top Drawer O/A 1100L x 400W x 365H). Total Combo O/A 1300L x 970W x 640H. (Suits all RV-FS listed below except SO *Not Included). Optional 1100L Standard Height top drawer minus -\$100.00 | \$3,045.00 | \$3,345.00 |
| PS/PA-020110-139727-2LR | Easy Access Combo 2 & Wing Kit - Large Low Platform to Driver Side (Gap size 570W). Double Stacked Drawers (Standard Height Bottom Drawer O/A 1300L x 400W x 275H, Trade Height Top Drawer O/A 1100L x 400W x 365H). Total Combo O/A 1300L x 970W x 640H. (Suits all RV-FS listed below except SO *Not Included). Optional 1100L Standard Height top drawer minus -\$100.00 | \$3,045.00 | \$3,345.00 |
| RV-EAC-IFP-1300 | Easy Access Combo INFILL PANEL - covers fridge slide cavity to create a flat solid top effect (NOTE: top drawer must be removed on EAC-2 systems) | \$224.00 | N/A |
| RV-CS-0848-00 | Cargo Shelf single - 800L Ventilated side panel and solid top shelf to fit FS-1 (small fridge space) Suits EAC-1 1300L x 970W | \$520.00 | N/A |
| RV-CS-0857-00 | Cargo Shelf single - 800L Ventilated side panel and solid top shelf to fit FS1.5 & FS-2 (large fridge space) Suits EAC-1 1300L x 970W | \$520.00 | N/A |
| RV-CS-0897-00 | Cargo Shelf double - 800L Ventilated side panel and solid top shelf system. Fits EAC-2 1300L x 970W fitted with a Trade Height top | \$567.00 | N/A |
| RV-IBFS-1300-DS | Inbuilt Fridge Slide - flush fitting 1300L (Driver Side) Premium drawers only | \$472.00 | N/A |
| RV-IBFS-1300-PS | Inbuilt Fridge Slide - flush fitting 1300L (Passenger Side) Premium drawers only | \$472.00 | N/A |
| PS/PA-RV-FS-1 | Heavy Duty Fridge Slide - 750L x 455W x 80H (external incl. Travel Lock) | \$472.00 | \$522.00 |
| PS-RV-FS-1-SO | Heavy Duty Fridge Slide - 450L x 770W x 110H (external incl. Travel Lock) | \$472.00 | N/A |
| PS/PA-RV-FS-1.5 | Heavy Duty Fridge Slide - 750L x 530W x 80H (external incl. Travel Lock) | \$520.00 | \$570.00 |
| PS/PA-RV-FS-2 | Heavy Duty Fridge Slide - 850L x 560W x 80H (external incl. Travel Lock) | \$567.00 | \$617.00 |
| PS-RV-FS-2-SO | Heavy Duty Fridge Slide - 550L x 870W x 110H (external incl. Travel Lock) | \$567.00 | N/A |
| PS/PA-RV-FS-2.25 | Heavy Duty Fridge Slide - 950L x 560W x 80H (external incl. Travel Lock) | \$590.00 | \$640.00 |
| PS/PA-RV-FS-2.5 | Heavy Duty Fridge Slide - 1050L x 560W x 80H (external incl. Travel Lock) | \$685.00 | \$735.00 |
| RV-020110-HCB | Rear Cargo Barrier - Half height for fitment to RV drawer system, ADR Compliant | \$685.00 | N/A |
| RV-020110-TSC | Rear Top Shelf & Dividing Barrier Combination - For fitment to RV cargo barrier & drawer system **Standard Height Only | \$704.00 | N/A |
| When fitting EAC-1300 drawers, leave 2nd row of seats in place - No Back Infill available. Rear Cargo Barrier only available for standard height Travel Slide Drawers available on page 181 Inbuilt Fridge Slides N/A for alloy drawers Dividing Barrier N/A for trade height drawers | | | |

| VEHICLE MAKE MODEL | TOYOTA 70 Series Troop Carrier GXL, Workmate (1975-2007) - <i>No Rear Seats Fitted</i> - 1800x970 | TOYOTA | |
|---|---|------------|----------|
| ALLOY DRAWERS: N/A / TRADE HEIGHT DRAWERS +\$100 PER DRAWER | | | |
| PREMBLK: PREMIUM BLACK RRP +180.00 (option) | | | |
| DESCRIPTION (PRICES INCLUDE WING KIT UNLESS OTHERWISE STATED) | | | |
| PA: Premium Alloy PS: Premium Steel EL: EcoLite | | PS RRP | PA RRP |
| PS-020110-184827-SSL | Single Drawer & Wing Kit NO REAR SEATS - Standard Height to Passenger Side 1800L x 485W x 275H | \$1,680.00 | N/A |
| PS-020110-184827-SSR | Single Drawer & Wing Kit NO REAR SEATS - Standard Height to Driver Side 1800L x 485W x 275H | \$1,680.00 | N/A |
| PS-020110-184836-SHL | Single Drawer & Wing Kit NO REAR SEATS - Trade Height to Passenger Side 1800L x 485W x 365H | \$1,780.00 | N/A |
| PS-020110-184836-SHR | Single Drawer & Wing Kit NO REAR SEATS - Trade Height to Driver Side 1800L x 485W x 365H | \$1,780.00 | N/A |
| EL-020110-189727-TDS | EcoLite Twin Drawer & Wing Kit NO REAR SEATS - Standard Height 1800L x 970W x 275H | \$2,330.00 | N/A |
| PS-020110-189727-TDS | Twin Drawer & Wing Kit NO REAR SEATS - Standard Height 1800L x 970W x 275H | \$3,255.00 | N/A |
| PS-020110-189736-TDH | Twin Drawer & Wing Kit NO REAR SEATS - Trade Height 1800L x 970W x 365H | \$3,455.00 | N/A |
| PS-020110-189730-FDC-E/D | Fridge Drawer Combo with 30L Engel/Dometic Fitkit - 1800L x 970W x 300H **Fridge not included Liftout Hatch provided to access space behind the fridge (100mm narrower if tie downs added to top) - 983L x 431W | \$2,935.00 | N/A |
| PS-020110-189736-FDC-EK | Fridge Drawer Combo with 40L EvaKool Fitkit - 1800L x 970W x 365H **Fridge not included Liftout Hatch provided to access space behind the fridge (100mm narrower if tie downs added to top) - 983L x 560W | \$3,045.00 | N/A |
| PS-020110-189736-FDC-IM | Fridge Drawer Combo with 40L Ironman Fitkit - 1800L x 970W x 365H **Fridge not included Liftout Hatch provided to access space behind the fridge (100mm narrower if tie downs added to top) - 983L x 510W | \$3,045.00 | N/A |
| PS-020110-189736-FDC-BM | Fridge Drawer Combo with 30L Bushman Fitkit - 1800L x 970W x 365H **Fridge not included Liftout Hatch provided to access space behind the fridge (100mm narrower if tie downs added to top) - 983L x 431W | \$3,045.00 | N/A |
| PS-020110-189727-1SL | Easy Access Combo 1 & Wing Kit - Small Low Platform to Passenger Side (Gap size 485W). Single Drawer O/A 1800L x 485W x 275H. Total Combo O/A 1800L x 970W x 275H. (Suits RV-FS-1 or 3 *Not Included) | \$2,685.00 | N/A |
| PS-020110-189727-1SR | Easy Access Combo 1 & Wing Kit - Small Low Platform to Driver Side (Gap size 485W). Single Drawer O/A 1800L x 485W x 275H. Total Combo O/A 1800L x 970W x 275H. (Suits RV-FS-1 or 3 *Not Included) | \$2,685.00 | N/A |
| PS-020110-189727-1LL | Easy Access Combo 1 & Wing Kit - Large Low Platform to Passenger Side (Gap size 570W). Single Drawer O/A 1800L x 400W x 275H. Total Combo O/A 1800L x 970W x 275H. (Suits all RV-FS listed below except SO *Not Included) | \$2,685.00 | N/A |
| PS-020110-189727-1LR | Easy Access Combo 1 & Wing Kit - Large Low Platform to Driver Side (Gap size 570W). Single Drawer O/A 1800L x 400W x 275H. Total Combo O/A 1800L x 970W x 275H. (Suits all RV-FS listed below except SO *Not Included) | \$2,685.00 | N/A |
| PS-020110-189727-2SL | Easy Access Combo 2 & Wing Kit - Small Low Platform to Passenger Side (Gap size 485W). Double Stacked Drawers (Standard Height Bottom Drawer O/A 1800L x 485W x 275H, Trade Height Top Drawer O/A 1600L x 485W x 365H). Total Combo O/A 1800L x 970W x 640H. (Suits RV-FS-1 or 3 *Not Included). Optional 1600L Standard Height top drawer minus -\$100.00 | \$3,485.00 | N/A |
| PS-020110-189727-2SR | Easy Access Combo 2 & Wing Kit - Small Low Platform to Driver Side (Gap size 485W). Double Stacked Drawers (Standard Height Bottom Drawer O/A 1800L x 485W x 275H, Trade Height Top Drawer O/A 1600L x 485W x 365H). Total Combo O/A 1800L x 970W x 640H. (Suits RV-FS-1 or 3 *Not Included). Optional 1600L Standard Height top drawer minus -\$100.00 | \$3,485.00 | N/A |
| PS-020110-189727-2LL | Easy Access Combo 2 & Wing Kit - Large Low Platform to Passenger Side (Gap size 570W). Double Stacked Drawers (Standard Height Bottom Drawer O/A 1800L x 400W x 275H, Trade Height Top Drawer O/A 1600L x 400W x 365H). Total Combo O/A 1800L x 970W x 640H. (Suits all RV-FS listed below except SO *Not Included). Optional 1600L Standard Height top drawer minus -\$100.00 | \$3,485.00 | N/A |
| PS-020110-189727-2LR | Easy Access Combo 2 & Wing Kit - Large Low Platform to Driver Side (Gap size 570W). Double Stacked Drawers (Standard Height Bottom Drawer O/A 1800L x 400W x 275H, Trade Height Top Drawer O/A 1600L x 400W x 365H). Total Combo O/A 1800L x 970W x 640H. (Suits all RV-FS listed below except SO *Not Included). Optional 1600L Standard Height top drawer minus -\$100.00 | \$3,485.00 | N/A |
| RV-IBFS-1300-DS | Inbuilt Fridge Slide - flush fitting 1300L (Driver Side) <i>Premium drawers only</i> | \$472.00 | N/A |
| RV-IBFS-1300-PS | Inbuilt Fridge Slide - flush fitting 1300L (Passenger Side) <i>Premium drawers only</i> | \$472.00 | N/A |
| RV-EAC-IFP-1800 | Easy Access Combo INFILL PANEL - covers fridge slide cavity to create a flat solid top effect (NOTE: top drawer must be removed on EAC-2 systems) | \$272.00 | N/A |
| RV-CS-1448-00 | Cargo Shelf single - 1400L Ventilated side panel and solid top shelf to fit FS-1 (small fridge space) Suits EAC-1 1800L x 970W | \$803.00 | N/A |
| RV-CS-1457-00 | Cargo Shelf single - 1400L Ventilated side panel and solid top shelf to fit FS1.5 & FS-2 (large fridge space) Suits EAC-1 1800L x 970W | \$803.00 | N/A |
| RV-CS-0897-00 | Cargo Shelf double - 800L Ventilated side panel and solid top shelf system. Fits EAC-2 1800L x 970W fitted with a Trade Height top | \$567.00 | N/A |
| PS/PA-RV-FS-1 | Heavy Duty Fridge Slide - 750L x 455W x 80H (external incl. Travel Lock) | \$472.00 | \$522.00 |
| PS-RV-FS-1-SO | Heavy Duty Fridge Slide - 450L x 770W x 110H (external incl. Travel Lock) | \$472.00 | N/A |
| PS/PA-RV-FS-1.5 | Heavy Duty Fridge Slide - 750L x 530W x 80H (external incl. Travel Lock) | \$520.00 | \$570.00 |
| PS/PA-RV-FS-2 | Heavy Duty Fridge Slide - 850L x 560W x 80H (external incl. Travel Lock) | \$567.00 | \$617.00 |
| PS-RV-FS-2-SO | Heavy Duty Fridge Slide - 550L x 870W x 110H (external incl. Travel Lock) | \$567.00 | N/A |
| PS/PA-RV-FS-2.25 | Heavy Duty Fridge Slide - 950L x 560W x 80H (external incl. Travel Lock) | \$590.00 | \$640.00 |
| PS/PA-RV-FS-2.5 | Heavy Duty Fridge Slide - 1050L x 560W x 80H (external incl. Travel Lock) | \$685.00 | \$735.00 |
| PS/PA-RV-FS-3 | Heavy Duty Fridge Slide - 1410L x 455W x 80H (external incl. Travel Lock) | \$886.00 | \$961.00 |
| PS/PA-RV-FS-3.5 | Heavy Duty Fridge Slide - 1410L x 560W x 80H (external incl. Travel Lock) | \$886.00 | \$961.00 |

Travel Slide Drawers available on page 181

| VEHICLE MAKE MODEL | TOYOTA 70 Series Troop Carrier GXL, Workmate (2008+) - 2nd Row of Seats Fitted - 1300x970 | TOYOTA | |
|---|---|------------|------------|
| TRADE HEIGHT DRAWERS +\$100 PER DRAWER | | | |
| PREMLBK: PREMIUM BLACK RRP +180.00 (option) | | | |
| PA: Premium Alloy PS: Premium Steel EL: EcoLite | DESCRIPTION (PRICES INCLUDE WING KIT UNLESS OTHERWISE STATED) | PS RRP | PA RRP |
| PS/PA-020111-134827-SSL | Single Drawer & Wing Kit 2ND ROW SEATS - Standard Height to Passenger Side 1300L x 485W x 275H | \$1,460.00 | \$1,610.00 |
| PS/PA-020111-134827-SSR | Single Drawer & Wing Kit 2ND ROW SEATS - Standard Height to Driver Side 1300L x 485W x 275H | \$1,460.00 | \$1,610.00 |
| PS/PA-020111-134836-SHL | Single Drawer & Wing Kit 2ND ROW SEATS - Trade Height to Passenger Side 1300L x 485W x 365H | \$1,560.00 | \$1,710.00 |
| PS/PA-020111-134836-SHR | Single Drawer & Wing Kit 2ND ROW SEATS - Trade Height to Driver Side 1300L x 485W x 365H | \$1,560.00 | \$1,710.00 |
| EL-020111-139727-TDS | EcoLite Twin Drawer & Wing Kit 2ND ROW SEATS - Standard Height 1300L x 970W x 275H | \$2,020.00 | N/A |
| PS/PA-020111-139727-TDS | Twin Drawer & Wing Kit 2ND ROW SEATS - Standard Height 1300L x 970W x 275H | \$2,815.00 | \$3,115.00 |
| PS/PA-020111-139736-TDH | Twin Drawer & Wing Kit 2ND ROW SEATS - Trade Height 1300L x 970W x 365H | \$3,015.00 | \$3,315.00 |
| PS/PA-020111-139730-FDC-E/D | Fridge Drawer Combo with 30L Engel/Dometic Fitkit - 1300L x 970W x 300H **Fridge not included Liftout Hatch provided to access space behind the fridge (100mm narrower if tie downs added to top) - 483L x 431W | \$2,635.00 | \$2,785.00 |
| PS/PA-020111-139736-FDC-EK | Fridge Drawer Combo with 40L EvaKool Fitkit - 1300L x 970W x 365H **Fridge not included Liftout Hatch provided to access space behind the fridge (100mm narrower if tie downs added to top) - 483L x 560W | \$2,745.00 | \$2,895.00 |
| PS/PA-020111-139736-FDC-IM | Fridge Drawer Combo with 40L Ironman Fitkit - 1300L x 970W x 365H **Fridge not included Liftout Hatch provided to access space behind the fridge (100mm narrower if tie downs added to top) - 483L x 510W | \$2,745.00 | \$2,895.00 |
| PS/PA-020111-139736-FDC-BM | Fridge Drawer Combo with 30L Bushman Fitkit - 1300L x 970W x 365H **Fridge not included Liftout Hatch provided to access space behind the fridge (100mm narrower if tie downs added to top) - 483L x 431W | \$2,745.00 | \$2,895.00 |
| PS/PA-020111-139727-1SL | Easy Access Combo 1 & Wing Kit - Small Low Platform to Passenger Side (Gap size 485W). Single Drawer O/A 1300L x 485W x 275H. Total Combo O/A 1300L x 970W x 275H. (Suits RV-FS-1 *Not Included) | \$2,355.00 | \$2,505.00 |
| PS/PA-020111-139727-1SR | Easy Access Combo 1 & Wing Kit - Small Low Platform to Driver Side (Gap size 485W). Single Drawer O/A 1300L x 485W x 275H. Total Combo O/A 1300L x 970W x 275H. (Suits RV-FS-1 *Not Included) | \$2,355.00 | \$2,505.00 |
| PS/PA-020111-139727-1LL | Easy Access Combo 1 & Wing Kit - Large Low Platform to Passenger Side (Gap size 570W). Single Drawer O/A 1300L x 400W x 275H. Total Combo O/A 1300L x 970W x 275H. (Suits all RV-FS listed below except SO *Not Included) | \$2,355.00 | \$2,505.00 |
| PS/PA-020111-139727-1LR | Easy Access Combo 1 & Wing Kit - Large Low Platform to Driver Side (Gap size 570W). Single Drawer O/A 1300L x 400W x 275H. Total Combo O/A 1300L x 970W x 275H. (Suits all RV-FS listed below except SO *Not Included) | \$2,355.00 | \$2,505.00 |
| PS/PA-020111-139727-2SL | Easy Access Combo 2 & Wing Kit - Small Low Platform to Passenger Side (Gap size 485W). Double Stacked Drawers (Standard Height Bottom Drawer O/A 1300L x 485W x 275H, Trade Height Top Drawer O/A 1100L x 485W x 365H). Total Combo O/A 1300L x 970W x 640H. (Suits RV-FS-1 *Not Included). Optional 1100L Standard Height top drawer minus -\$100.00 | \$3,045.00 | \$3,345.00 |
| PS/PA-020111-139727-2SR | Easy Access Combo 2 & Wing Kit - Small Low Platform to Driver Side (Gap size 485W). Double Stacked Drawers (Standard Height Bottom Drawer O/A 1300L x 485W x 275H, Trade Height Top Drawer O/A 1100L x 485W x 365H). Total Combo O/A 1300L x 970W x 640H. (Suits RV-FS-1 *Not Included). Optional 1100L Standard Height top drawer minus -\$100.00 | \$3,045.00 | \$3,345.00 |
| PS/PA-020111-139727-2LL | Easy Access Combo 2 & Wing Kit - Large Low Platform to Passenger Side (Gap size 570W). Double Stacked Drawers (Standard Height Bottom Drawer O/A 1300L x 400W x 275H, Trade Height Top Drawer O/A 1100L x 400W x 365H). Total Combo O/A 1300L x 970W x 640H. (Suits all RV-FS listed below except SO *Not Included). Optional 1100L Standard Height top drawer minus -\$100.00 | \$3,045.00 | \$3,345.00 |
| PS/PA-020111-139727-2LR | Easy Access Combo 2 & Wing Kit - Large Low Platform to Driver Side (Gap size 570W). Double Stacked Drawers (Standard Height Bottom Drawer O/A 1300L x 400W x 275H, Trade Height Top Drawer O/A 1100L x 400W x 365H). Total Combo O/A 1300L x 970W x 640H. (Suits all RV-FS listed below except SO *Not Included). Optional 1100L Standard Height top drawer minus -\$100.00 | \$3,045.00 | \$3,345.00 |
| RV-EAC-IFP-1300 | Easy Access Combo INFILL PANEL - covers fridge slide cavity to create a flat solid top effect (NOTE: top drawer must be removed on EAC-2 systems) | \$224.00 | N/A |
| RV-CS-0848-00 | Cargo Shelf single - 800L Ventilated side panel and solid top shelf to fit FS-1 (small fridge space) Suits EAC-1 1300L x 970W | \$520.00 | N/A |
| RV-CS-0857-00 | Cargo Shelf single - 800L Ventilated side panel and solid top shelf to fit FS1.5 & FS-2 (large fridge space) Suits EAC-1 1300L x 970W | \$520.00 | N/A |
| RV-CS-0897-00 | Cargo Shelf double - 800L Ventilated side panel and solid top shelf system. Fits EAC-2 1300L x 970W fitted with a Trade Height top | \$567.00 | N/A |
| RV-IBFS-1300-DS | Inbuilt Fridge Slide - flush fitting 1300L (Driver Side) <i>Premium drawers only</i> | \$472.00 | N/A |
| RV-IBFS-1300-PS | Inbuilt Fridge Slide - flush fitting 1300L (Passenger Side) <i>Premium drawers only</i> | \$472.00 | N/A |
| PS/PA-RV-FS-1 | Heavy Duty Fridge Slide - 750L x 455W x 80H (external incl. Travel Lock) | \$472.00 | \$522.00 |
| PS-RV-FS-1-SO | Heavy Duty Fridge Slide - 450L x 770W x 110H (external incl. Travel Lock) | \$472.00 | N/A |
| PS/PA-RV-FS-1.5 | Heavy Duty Fridge Slide - 750L x 530W x 80H (external incl. Travel Lock) | \$520.00 | \$570.00 |
| PS/PA-RV-FS-2 | Heavy Duty Fridge Slide - 850L x 560W x 80H (external incl. Travel Lock) | \$567.00 | \$617.00 |
| PS-RV-FS-2-SO | Heavy Duty Fridge Slide - 550L x 870W x 110H (external incl. Travel Lock) | \$567.00 | N/A |
| PS/PA-RV-FS-2.25 | Heavy Duty Fridge Slide - 950L x 560W x 80H (external incl. Travel Lock) | \$590.00 | \$640.00 |
| PS/PA-RV-FS-2.5 | Heavy Duty Fridge Slide - 1050L x 560W x 80H (external incl. Travel Lock) | \$685.00 | \$735.00 |
| RV-020111-HCB | Rear Cargo Barrier - Half height for fitment to RV drawer system, ADR Compliant | \$685.00 | N/A |
| RV-020111-TSC | Rear Top Shelf & Dividing Barrier Combination - For fitment to RV cargo barrier & drawer system **Standard Height Only | \$704.00 | N/A |

When fitting EAC-1300 drawers, leave 2nd row of seats in place - No Back Infill available.
Rear Cargo Barrier only available for standard height
Travel Slide Drawers available on page 181
Inbuilt Fridge Slides N/A for alloy drawers
Dividing Barrier N/A for trade height drawers

| VEHICLE MAKE MODEL | TOYOTA 70 Series Troop Carrier GXL, Workmate (2008+) - No Rear Seats Fitted - 1800x970 | TOYOTA | |
|---|--|------------|----------|
| ALLOY DRAWERS: N/A / TRADE HEIGHT DRAWERS +\$100 PER DRAWER | | | |
| PREMLBK: PREMIUM BLACK RRP +180.00 (option) | | | |
| PA: Premium Alloy PS: Premium Steel EL: EcoLite | DESCRIPTION (PRICES INCLUDE WING KIT UNLESS OTHERWISE STATED) | PS RRP | PA RRP |
| PS-020111-184827-SSL | Single Drawer & Wing Kit NO REAR SEATS - Standard Height to Passenger Side 1800L x 485W x 275H | \$1,680.00 | N/A |
| PS-020111-184827-SSR | Single Drawer & Wing Kit NO REAR SEATS - Standard Height to Driver Side 1800L x 485W x 275H | \$1,680.00 | N/A |
| PS-020111-184836-SHL | Single Drawer & Wing Kit NO REAR SEATS - Trade Height to Passenger Side 1800L x 485W x 365H | \$1,780.00 | N/A |
| PS-020111-184836-SHR | Single Drawer & Wing Kit NO REAR SEATS - Trade Height to Driver Side 1800L x 485W x 365H | \$1,780.00 | N/A |
| EL-020111-189727-TDS | EcoLite Twin Drawer & Wing Kit NO REAR SEATS - Standard Height 1800L x 970W x 275H | \$2,330.00 | N/A |
| PS-020111-189727-TDS | Twin Drawer & Wing Kit NO REAR SEATS - Standard Height 1800L x 970W x 275H | \$3,255.00 | N/A |
| PS-020111-189736-TDH | Twin Drawer & Wing Kit NO REAR SEATS - Trade Height 1800L x 970W x 365H | \$3,455.00 | N/A |
| PS-020111-189730-FDC-E/D | Fridge Drawer Combo with 30L Engel/Dometic Fitkit - 1800L x 970W x 300H **Fridge not included Liftout Hatch provided to access space behind the fridge (100mm narrower if tie downs added to top) - 983L x 431W | \$2,935.00 | N/A |
| PS-020111-189736-FDC-EK | Fridge Drawer Combo with 40L EvaKool Fitkit - 1800L x 970W x 365H **Fridge not included Liftout Hatch provided to access space behind the fridge (100mm narrower if tie downs added to top) - 983L x 560W | \$3,045.00 | N/A |
| PS-020111-189736-FDC-IM | Fridge Drawer Combo with 40L Ironman Fitkit - 1800L x 970W x 365H **Fridge not included Liftout Hatch provided to access space behind the fridge (100mm narrower if tie downs added to top) - 983L x 510W | \$3,045.00 | N/A |
| PS-020111-189736-FDC-BM | Fridge Drawer Combo with 30L Bushman Fitkit - 1800L x 970W x 365H **Fridge not included Liftout Hatch provided to access space behind the fridge (100mm narrower if tie downs added to top) - 983L x 431W | \$3,045.00 | N/A |
| PS-020111-189727-1SL | Easy Access Combo 1 & Wing Kit - Small Low Platform to Passenger Side (Gap size 485W). Single Drawer O/A 1800L x 485W x 275H. Total Combo O/A 1800L x 970W x 275H. (Suits RV-FS-1 or 3 *Not Included) | \$2,685.00 | N/A |
| PS-020111-189727-1SR | Easy Access Combo 1 & Wing Kit - Small Low Platform to Driver Side (Gap size 485W). Single Drawer O/A 1800L x 485W x 275H. Total Combo O/A 1800L x 970W x 275H. (Suits RV-FS-1 or 3 *Not Included) | \$2,685.00 | N/A |
| PS-020111-189727-1LL | Easy Access Combo 1 & Wing Kit - Large Low Platform to Passenger Side (Gap size 570W). Single Drawer O/A 1800L x 400W x 275H. Total Combo O/A 1800L x 970W x 275H. (Suits all RV-FS listed below except SO *Not Included) | \$2,685.00 | N/A |
| PS-020111-189727-1LR | Easy Access Combo 1 & Wing Kit - Large Low Platform to Driver Side (Gap size 570W). Single Drawer O/A 1800L x 400W x 275H. Total Combo O/A 1800L x 970W x 275H. (Suits all RV-FS listed below except SO *Not Included) | \$2,685.00 | N/A |
| PS-020111-189727-2SL | Easy Access Combo 2 & Wing Kit - Small Low Platform to Passenger Side (Gap size 485W). Double Stacked Drawers (Standard Height Bottom Drawer O/A 1800L x 485W x 275H, Trade Height Top Drawer O/A 1600L x 485W x 365H). Total Combo O/A 1800L x 970W x 640H. (Suits RV-FS-1 or 3 *Not Included). Optional 1600L Standard Height top drawer minus -\$100.00 | \$3,485.00 | N/A |
| PS-020111-189727-2SR | Easy Access Combo 2 & Wing Kit - Small Low Platform to Driver Side (Gap size 485W). Double Stacked Drawers (Standard Height Bottom Drawer O/A 1800L x 485W x 275H, Trade Height Top Drawer O/A 1600L x 485W x 365H). Total Combo O/A 1800L x 970W x 640H. (Suits RV-FS-1 or 3 *Not Included). Optional 1600L Standard Height top drawer minus -\$100.00 | \$3,485.00 | N/A |
| PS-020111-189727-2LL | Easy Access Combo 2 & Wing Kit - Large Low Platform to Passenger Side (Gap size 570W). Double Stacked Drawers (Standard Height Bottom Drawer O/A 1800L x 400W x 275H, Trade Height Top Drawer O/A 1600L x 400W x 365H). Total Combo O/A 1800L x 970W x 640H. (Suits all RV-FS listed below except SO *Not Included). Optional 1600L Standard Height top drawer minus -\$100.00 | \$3,485.00 | N/A |
| PS-020111-189727-2LR | Easy Access Combo 2 & Wing Kit - Large Low Platform to Driver Side (Gap size 570W). Double Stacked Drawers (Standard Height Bottom Drawer O/A 1800L x 400W x 275H, Trade Height Top Drawer O/A 1600L x 400W x 365H). Total Combo O/A 1800L x 970W x 640H. (Suits all RV-FS listed below except SO *Not Included). Optional 1600L Standard Height top drawer minus -\$100.00 | \$3,485.00 | N/A |
| RV-EAC-IFP-1800 | Easy Access Combo INFILL PANEL - covers fridge slide cavity to create a flat solid top effect (NOTE: top drawer must be removed on EAC-2 systems) | \$272.00 | N/A |
| RV-CS-1448-00 | Cargo Shelf single - 1400L Ventilated side panel and solid top shelf to fit FS-1 (small fridge space) Suits EAC-1 1800L x 970W | \$803.00 | N/A |
| RV-CS-1457-00 | Cargo Shelf single - 1400L Ventilated side panel and solid top shelf to fit FS1.5 & FS-2 (large fridge space) Suits EAC-1 1800L x 970W | \$803.00 | N/A |
| RV-CS-0897-00 | Cargo Shelf double - 800L Ventilated side panel and solid top shelf system. Fits EAC-2 1800L x 970W fitted with a Trade Height top | \$567.00 | N/A |
| RV-IBFS-1300-DS | Inbuilt Fridge Slide - flush fitting 1300L (Driver Side) Premium drawers only | \$472.00 | N/A |
| RV-IBFS-1300-PS | Inbuilt Fridge Slide - flush fitting 1300L (Passenger Side) Premium drawers only | \$472.00 | N/A |
| PS/PA-RV-FS-1 | Heavy Duty Fridge Slide - 750L x 455W x 80H (external incl. Travel Lock) | \$472.00 | \$522.00 |
| PS-RV-FS-1-SO | Heavy Duty Fridge Slide - 450L x 770W x 110H (external incl. Travel Lock) | \$472.00 | N/A |
| PS/PA-RV-FS-1.5 | Heavy Duty Fridge Slide - 750L x 530W x 80H (external incl. Travel Lock) | \$520.00 | \$570.00 |
| PS/PA-RV-FS-2 | Heavy Duty Fridge Slide - 850L x 560W x 80H (external incl. Travel Lock) | \$567.00 | \$617.00 |
| PS-RV-FS-2-SO | Heavy Duty Fridge Slide - 550L x 870W x 110H (external incl. Travel Lock) | \$567.00 | N/A |
| PS/PA-RV-FS-2.25 | Heavy Duty Fridge Slide - 950L x 560W x 80H (external incl. Travel Lock) | \$590.00 | \$640.00 |
| PS/PA-RV-FS-2.5 | Heavy Duty Fridge Slide - 1050L x 560W x 80H (external incl. Travel Lock) | \$685.00 | \$735.00 |
| PS/PA-RV-FS-3 | Heavy Duty Fridge Slide - 1410L x 455W x 80H (external incl. Travel Lock) | \$886.00 | \$961.00 |
| PS/PA-RV-FS-3.5 | Heavy Duty Fridge Slide - 1410L x 560W x 80H (external incl. Travel Lock) | \$886.00 | \$961.00 |

Travel Slide Drawers available on page 181

| VEHICLE MAKE MODEL | TOYOTA 60 Series Landcruiser 4 Door Wagon GXL (1980-1990) - 1000x1020 | TOYOTA | |
|---|--|------------|------------|
| TRADE HEIGHT DRAWERS +\$100 PER DRAWER | | | |
| PREMBLK: PREMIUM BLACK RRP +180.00 (option) | | | |
| PA: Premium Alloy PS: Premium Steel EL: EcoLite | DESCRIPTION (PRICES INCLUDE WING KIT UNLESS OTHERWISE STATED) | PS RRP | PA RRP |
| PS/PA-020100-105127-SSL | Single Drawer & Wing Kit - Standard Height to Passenger Side 1000L x 510W x 275H | \$1,375.00 | \$1,525.00 |
| PS/PA-020100-105127-SSR | Single Drawer & Wing Kit - Standard Height to Driver Side 1000L x 510 x 275H | \$1,375.00 | \$1,525.00 |
| EL-020100-101227-TDS | EcoLite Twin Drawer & Wing Kit - Standard Height 1000L x 1020W x 275H | \$1,960.00 | N/A |
| PS/PA-020100-101227-TDS | Twin Drawer & Wing Kit - Standard Height 1000L x 1020W x 275H | \$2,650.00 | \$2,950.00 |
| PS/PA-020100-101230-FDC-E/D | Fridge Drawer Combo with 30L Engel/Dometic Fitkit - 1000L x 1020W x 300H **Fridge not included Liftout Hatch provided to access space behind the fridge (100mm narrower if tie downs added to top) - 183L x 431W | \$2,635.00 | \$2,785.00 |
| PA-020100-101230-FDS-E/D | Engel/Dometic Fridge Drawer Stacker with Engel/Dometic Fitkit - 1000L x 1020W x 300H **Fridge not included Liftout Hatch provided to access space behind the fridge (100mm narrower if tie downs added to top) - 183L x 431W | N/A | \$3,621.00 |
| PS/PA-020100-101227-1SL | Easy Access Combo 1 & Wing Kit - Small Low Platform to Passenger Side (Gap size 510W). Single Drawer O/A 1000L x 510W x 275H. Total Combo O/A 1000L x 1020W x 275H. (Suits RV-FS-1 *Not Included) | \$2,190.00 | \$2,340.00 |
| PS/PA-020100-101227-1SR | Easy Access Combo 1 & Wing Kit - Small Low Platform to Driver Side (Gap size 510W). Single Drawer O/A 1000L x 510W x 275H. Total Combo O/A 1000L x 1020W x 275H. (Suits RV-FS-1 *Not Included) | \$2,190.00 | \$2,340.00 |
| PS/PA-020100-101227-1LL | Easy Access Combo 1 & Wing Kit - Large Low Platform to Passenger Side (Gap size 570W). Single Drawer O/A 1000L x 450W x 275H. Total Combo O/A 1000L x 1020W x 275H. (Suits all RV-FS listed below except SO *Not Included) | \$2,190.00 | \$2,340.00 |
| PS/PA-020100-101227-1LR | Easy Access Combo 1 & Wing Kit - Large Low Platform to Driver Side (Gap size 570W). Single Drawer O/A 1000L x 450W x 275H. Total Combo O/A 1000L x 1020W x 275H. (Suits all RV-FS listed below except SO *Not Included) | \$2,190.00 | \$2,340.00 |
| PS/PA-020100-101227-2SL | Easy Access Combo 2 & Wing Kit - Small Low Platform to Passenger Side (Gap size 510W). Double Stacked Drawers (Standard Height Bottom Drawer O/A 1000L x 510W x 275H, Trade Height Top Drawer O/A 800L x 510W x 365H). Total Combo O/A 1000L x 1020W x 640H. (Suits RV-FS-1 *Not Included). Optional 800L Standard Height top drawer minus -\$100.00 | \$2,880.00 | \$3,180.00 |
| PS/PA-020100-101227-2SR | Easy Access Combo 2 & Wing Kit - Small Low Platform to Driver Side (Gap size 510W). Double Stacked Drawers (Standard Height Bottom Drawer O/A 1000L x 510W x 275H, Trade Height Top Drawer O/A 800L x 510W x 365H). Total Combo O/A 1000L x 1020W x 640H. (Suits RV-FS-1 *Not Included). Optional 800L Standard Height top drawer minus -\$100.00 | \$2,880.00 | \$3,180.00 |
| PS/PA-020100-101227-2LL | Easy Access Combo 2 & Wing Kit - Large Low Platform to Passenger Side (Gap size 570W). Double Stacked Drawers (Standard Height Bottom Drawer O/A 1000L x 450W x 275H, Trade Height Top Drawer O/A 800L x 450W x 365H). Total Combo O/A 1000L x 1020W x 640H. (Suits all RV-FS listed below except SO *Not Included). Optional 800L Standard Height top drawer minus -\$100.00 | \$2,880.00 | \$3,180.00 |
| PS/PA-020100-101227-2LR | Easy Access Combo 2 & Wing Kit - Large Low Platform to Driver Side (Gap size 570W). Double Stacked Drawers (Standard Height Bottom Drawer O/A 1000L x 450W x 275H, Trade Height Top Drawer O/A 800L x 450W x 365H). Total Combo O/A 1000L x 1020W x 640H. (Suits all RV-FS listed below except SO *Not Included). Optional 800L Standard Height top drawer minus -\$100.00 | \$2,880.00 | \$3,180.00 |
| PA-020100-101236-TC | Tourer Combo & Wing Kit - Low Platform to Passenger Side for Bushman 85Lt Upright Fridge (Gap size 510W). Triple Stacked Drawers Driver Side (Slimline Bottom Drawer I/D 930L x 420W x 59H Standard Height Middle Drawer I/D 930L x 420W x 190H, Trade Height Top Drawer I/D 730L x 420W x 270H). Total Combo O/A 1000L x 1020W x 731H. (Includes Cargo Shelf Double, Bushman 85Lt Upright Fridge, Drawer Lids for Slimline and Standard height drawers). | N/A | \$6,130.00 |
| RV-EAC-IFP-1000 | Easy Access Combo INFILL PANEL - covers fridge slide cavity to create a flat solid top effect (NOTE: top drawer must be removed on EAC-2 systems) | \$176.00 | N/A |
| RV-CS-0851-00 | Cargo Shelf single - 800L Ventilated side panel and solid top shelf to fit FS-1 (small fridge space) Suits EAC-1 1000L x 1020W | \$520.00 | N/A |
| RV-CS-0857-00 | Cargo Shelf single - 800L Ventilated side panel and solid top shelf to fit FS-1.5 & FS-2 (large fridge space) Suits EAC-1 1000L x 1020W | \$520.00 | N/A |
| RV-CS-0812-00 | Cargo Shelf double - 800L Ventilated side panel and solid top shelf system. Fits EAC-2 1000L x 1020W fitted with a Trade Height top drawer | \$567.00 | N/A |
| RV-IBFS-1000-DS | Inbuilt Fridge Slide - flush fitting 1000L (Driver Side) <i>Premium drawers only</i> | \$448.00 | \$448.00 |
| RV-IBFS-1000-PS | Inbuilt Fridge Slide - flush fitting 1000L (Passenger Side) <i>Premium drawers only</i> | \$448.00 | \$448.00 |
| PS/PA-RV-FS-1 | Heavy Duty Fridge Slide - 750L x 455W x 80H (external incl. Travel Lock) | \$472.00 | \$522.00 |
| PS-RV-FS-1-SO | Heavy Duty Fridge Slide - 450L x 770W x 110H (external incl. Travel Lock) | \$472.00 | N/A |
| PS/PA-RV-FS-1.5 | Heavy Duty Fridge Slide - 750L x 530W x 80H (external incl. Travel Lock) | \$520.00 | \$570.00 |
| PS/PA-RV-FS-2 | Heavy Duty Fridge Slide - 850L x 560W x 80H (external incl. Travel Lock) | \$567.00 | \$617.00 |
| PS-RV-FS-2-SO | Heavy Duty Fridge Slide - 550L x 870W x 110H (external incl. Travel Lock) | \$567.00 | N/A |
| PS/PA-RV-FS-2.25 | Heavy Duty Fridge Slide - 950L x 560W x 80H (external incl. Travel Lock) | \$590.00 | \$640.00 |

No Trade height available
Travel Slide Drawers available on page 181

| VEHICLE MAKE MODEL | TOYOTA 80 Series Landcruiser 4 Door Wagon Standard/Barn Doors (1990-1997) - 1000x1020 | | | TOYOTA |
|---|--|------------|------------|--------|
| PA: Premium Alloy PS: Premium Steel EL: EcoLite | TRADE HEIGHT DRAWERS +\$100 PER DRAWER | | | |
| | PREMLBK: PREMIUM BLACK RRP +180.00 (option) | | | |
| | DESCRIPTION (PRICES INCLUDE WING KIT UNLESS OTHERWISE STATED) | PS RRP | PA RRP | |
| PS/PA-020201-105127-SSL | Single Drawer & Wing Kit - Standard Height to Passenger Side 1000L x 510W x 275H | \$1,375.00 | \$1,525.00 | |
| PS/PA-020201-105127-SSR | Single Drawer & Wing Kit - Standard Height to Driver Side 1000L x 510 x 275H | \$1,375.00 | \$1,525.00 | |
| EL-020201-101227-TDS | EcoLite Twin Drawer & Wing Kit - Standard Height 1000L x 1020W x 275H | \$1,960.00 | N/A | |
| PS/PA-020201-101227-TDS | Twin Drawer & Wing Kit - Standard Height 1000L x 1020W x 275H | \$2,650.00 | \$2,950.00 | |
| PS/PA-020201-101236-TDH | Twin Drawer & Wing Kit - Trade Height 1000L x 1020W x 365H | \$2,850.00 | \$3,150.00 | |
| PS/PA-020201-101230-FDC-E/D | Fridge Drawer Combo with 30L Engel/Dometic Fitkit - 1000L x 1020W x 300H **Fridge not included Liftout Hatch provided to access space behind the fridge (100mm narrower if tie downs added to top) - 183L x 431W | \$2,635.00 | \$2,785.00 | |
| PS/PA-020201-101236-FDC-EK | Fridge Drawer Combo with 40L EvaKool Fitkit - 1000L x 1020W x 365H **Fridge not included Liftout Hatch provided to access space behind the fridge (100mm narrower if tie downs added to top) - 183L x 560W | \$2,745.00 | \$2,895.00 | |
| PS/PA-020201-101236-FDC-IM | Fridge Drawer Combo with 40L Ironman Fitkit - 1000L x 1020W x 365H **Fridge not included Liftout Hatch provided to access space behind the fridge (100mm narrower if tie downs added to top) - 183L x 510W | \$2,745.00 | \$2,895.00 | |
| PS/PA-020201-101236-FDC-BM | Fridge Drawer Combo with 30L Bushman Fitkit - 1000L x 1020W x 365H **Fridge not included Liftout Hatch provided to access space behind the fridge (100mm narrower if tie downs added to top) - 183L x 431W | \$2,745.00 | \$2,895.00 | |
| PA-020201-101230-FDS-E/D | Engel/Dometic Fridge Drawer Stacker with Engel/Dometic Fitkit - 1000L x 1020W x 300H **Fridge not included Liftout Hatch provided to access space behind the fridge (100mm narrower if tie downs added to top) - 183L x 431W | N/A | \$3,621.00 | |
| PA-020201-101236-FDS-EK | Evakool Fridge Drawer Stacker with EvaKool Fitkit - 1000L x 1020W x 365H **Fridge not included Liftout Hatch provided to access space behind the fridge (100mm narrower if tie downs added to top) - 183L x 560W | N/A | \$3,731.00 | |
| PA-020201-101236-FDS-BM | Bushman Fridge Drawer Stacker with Bushman Fitkit - 1000L x 1020W x 365H **Fridge not included Liftout Hatch provided to access space behind the fridge (100mm narrower if tie downs added to top) - 183L x 431W | N/A | \$3,731.00 | |
| PS/PA-020201-101227-1SL | Easy Access Combo 1 & Wing Kit - Small Low Platform to Passenger Side (Gap size 510W). Single Drawer O/A 1000L x 510W x 275H. Total Combo O/A 1000L x 1020W x 275H. (Suits RV-FS-1 *Not Included) | \$2,190.00 | \$2,340.00 | |
| PS/PA-020201-101227-1SR | Easy Access Combo 1 & Wing Kit - Small Low Platform to Driver Side (Gap size 510W). Single Drawer O/A 1000L x 510W x 275H. Total Combo O/A 1000L x 1020W x 275H. (Suits RV-FS-1 *Not Included) | \$2,190.00 | \$2,340.00 | |
| PS/PA-020201-101227-1LL | Easy Access Combo 1 & Wing Kit - Large Low Platform to Passenger Side (Gap size 570W). Single Drawer O/A 1000L x 450W x 275H. Total Combo O/A 1000L x 1020W x 275H. (Suits all RV-FS listed below except SO *Not Included) | \$2,190.00 | \$2,340.00 | |
| PS/PA-020201-101227-1LR | Easy Access Combo 1 & Wing Kit - Large Low Platform to Driver Side (Gap size 570W). Single Drawer O/A 1000L x 450W x 275H. Total Combo O/A 1000L x 1020W x 275H. (Suits all RV-FS listed below except SO *Not Included) | \$2,190.00 | \$2,340.00 | |
| PS/PA-020201-101227-2SL | Easy Access Combo 2 & Wing Kit - Small Low Platform to Passenger Side (Gap size 510W). Double Stacked Drawers (Standard Height Bottom Drawer O/A 1000L x 510W x 275H, Trade Height Top Drawer O/A 800L x 510W x 365H). Total Combo O/A 1000L x 1020W x 640H. (Suits RV-FS-1 *Not Included). Optional 800L Standard Height top drawer minus -\$100.00 | \$2,880.00 | \$3,180.00 | |
| PS/PA-020201-101227-2SR | Easy Access Combo 2 & Wing Kit - Small Low Platform to Driver Side (Gap size 510W). Double Stacked Drawers (Standard Height Bottom Drawer O/A 1000L x 510W x 275H, Trade Height Top Drawer O/A 800L x 510W x 365H). Total Combo O/A 1000L x 1020W x 640H. (Suits RV-FS-1 *Not Included). Optional 800L Standard Height top drawer minus -\$100.00 | \$2,880.00 | \$3,180.00 | |
| PS/PA-020201-101227-2LL | Easy Access Combo 2 & Wing Kit - Large Low Platform to Passenger Side (Gap size 570W). Double Stacked Drawers (Standard Height Bottom Drawer O/A 1000L x 450W x 275H, Trade Height Top Drawer O/A 800L x 450W x 365H). Total Combo O/A 1000L x 1020W x 640H. (Suits all RV-FS listed below except SO *Not Included). Optional 800L Standard Height top drawer minus -\$100.00 | \$2,880.00 | \$3,180.00 | |
| PS/PA-020201-101227-2LR | Easy Access Combo 2 & Wing Kit - Large Low Platform to Driver Side (Gap size 570W). Double Stacked Drawers (Standard Height Bottom Drawer O/A 1000L x 450W x 275H, Trade Height Top Drawer O/A 800L x 450W x 365H). Total Combo O/A 1000L x 1020W x 640H. (Suits all RV-FS listed below except SO *Not Included). Optional 800L Standard Height top drawer minus -\$100.00 | \$2,880.00 | \$3,180.00 | |
| PA-020201-101236-TC | Tourer Combo & Wing Kit - Low Platform to Passenger Side for Bushman 85Lt Upright Fridge (Gap size 510W). Triple Stacked Drawers Driver Side (Slimline Bottom Drawer I/D 930L x 420W x 59H Standard Height Middle Drawer I/D 930L x 420W x 190H, Trade Height Top Drawer I/D 730L x 420W x 270H). Total Combo O/A 1000L x 1020W x 731H. (Includes Cargo Shelf Double, Bushman 85Lt Upright Fridge, Drawer Lids for Slimline and Standard height drawers). | N/A | \$6,130.00 | |
| RV-EAC-IFP-1000 | Easy Access Combo INFILL PANEL - covers fridge slide cavity to create a flat solid top effect (NOTE: top drawer must be removed on EAC-2 systems) | \$176.00 | N/A | |
| RV-CS-0851-00 | Cargo Shelf single - 800L Ventilated side panel and solid top shelf to fit FS-1 (small fridge space) Suits EAC-1 1000L x 1020W | \$520.00 | N/A | |
| RV-CS-0857-00 | Cargo Shelf single - 800L Ventilated side panel and solid top shelf to fit FS-1.5 & FS-2 (large fridge space) Suits EAC-1 1000L x 1020W | \$520.00 | N/A | |
| RV-CS-0812-00 | Cargo Shelf double - 800L Ventilated side panel and solid top shelf system. Fits EAC-2 1000L x 1020W fitted with a Trade Height top drawer | \$567.00 | N/A | |
| RV-IBFS-1000-DS | Inbuilt Fridge Slide - flush fitting 1000L (Driver Side) Premium drawers only | \$448.00 | \$448.00 | |
| RV-IBFS-1000-PS | Inbuilt Fridge Slide - flush fitting 1000L (Passenger Side) Premium drawers only | \$448.00 | \$448.00 | |
| PS/PA-RV-FS-1 | Heavy Duty Fridge Slide - 750L x 455W x 80H (external incl. Travel Lock) | \$472.00 | \$522.00 | |
| PS-RV-FS-1-SO | Heavy Duty Fridge Slide - 450L x 770W x 110H (external incl. Travel Lock) | \$472.00 | N/A | |
| PS/PA-RV-FS-1.5 | Heavy Duty Fridge Slide - 750L x 530W x 80H (external incl. Travel Lock) | \$520.00 | \$570.00 | |
| PS/PA-RV-FS-2 | Heavy Duty Fridge Slide - 850L x 560W x 80H (external incl. Travel Lock) | \$567.00 | \$617.00 | |
| PS-RV-FS-2-SO | Heavy Duty Fridge Slide - 550L x 870W x 110H (external incl. Travel Lock) | \$567.00 | N/A | |
| PS/PA-RV-FS-2.25 | Heavy Duty Fridge Slide - 950L x 560W x 80H (external incl. Travel Lock) | \$590.00 | \$640.00 | |
| RV-020201-HCB | Rear Cargo Barrier - Half height for fitment to RV drawer system, ADR Compliant | \$685.00 | N/A | |
| RV-020201-TSC | Rear Top Shelf & Dividing Barrier Combination - For fitment to RV cargo barrier & drawer system **Standard Height Only | \$704.00 | N/A | |
| RV-020201-FTF | Forward Twin Floor - Twin carpeted floor system for fitment to RV drawer system, ADR Compliant | \$886.00 | N/A | |

Rear Cargo Barrier only available for standard height
Travel Slide Drawers available on page 181
Inbuilt Fridge Slides N/A for Trade Height alloy drawers
Dividing Barrier N/A for trade height drawers

| VEHICLE MAKE MODEL | TOYOTA 80 Series Landcruiser 4 Door Wagon GXL (1990-1997) - 1000x1020 | | | TOYOTA |
|---|--|------------|------------|--------|
| PA: Premium Alloy PS: Premium Steel EL: EcoLite | TRADE HEIGHT DRAWERS +\$100 PER DRAWER | | | |
| | PREMLBK: PREMIUM BLACK RRP +180.00 (option) | | | |
| | DESCRIPTION (PRICES INCLUDE WING KIT UNLESS OTHERWISE STATED) | PS RRP | PA RRP | |
| PS/PA-020202-105127-SSL | Single Drawer & Wing Kit - Standard Height to Passenger Side 1000L x 510W x 275H | \$1,375.00 | \$1,525.00 | |
| PS/PA-020202-105127-SSR | Single Drawer & Wing Kit - Standard Height to Driver Side 1000L x 510 x 275H | \$1,375.00 | \$1,525.00 | |
| EL-020202-101227-TDS | EcoLite Twin Drawer & Wing Kit - Standard Height 1000L x 1020W x 275H | \$1,960.00 | N/A | |
| PS/PA-020202-101227-TDS | Twin Drawer & Wing Kit - Standard Height 1000L x 1020W x 275H | \$2,650.00 | \$2,950.00 | |
| PS/PA-020202-101236-TDH | Twin Drawer & Wing Kit - Trade Height 1000L x 1020W x 365H | \$2,850.00 | \$3,150.00 | |
| PS/PA-020202-101230-FDC-E/D | Fridge Drawer Combo with 30L Engel/Dometic Fitkit - 1000L x 1020W x 300H **Fridge not included Liftout Hatch provided to access space behind the fridge (100mm narrower if tie downs added to top) - 183L x 431W | \$2,635.00 | \$2,785.00 | |
| PS/PA-020202-101236-FDC-EK | Fridge Drawer Combo with 40L EvaKool Fitkit - 1000L x 1020W x 365H **Fridge not included Liftout Hatch provided to access space behind the fridge (100mm narrower if tie downs added to top) - 183L x 560W | \$2,745.00 | \$2,895.00 | |
| PS/PA-020202-101236-FDC-IM | Fridge Drawer Combo with 40L Ironman Fitkit - 1000L x 1020W x 365H **Fridge not included Liftout Hatch provided to access space behind the fridge (100mm narrower if tie downs added to top) - 183L x 510W | \$2,745.00 | \$2,895.00 | |
| PS/PA-020202-101236-FDC-BM | Fridge Drawer Combo with 30L Bushman Fitkit - 1000L x 1020W x 365H **Fridge not included Liftout Hatch provided to access space behind the fridge (100mm narrower if tie downs added to top) - 183L x 431W | \$2,745.00 | \$2,895.00 | |
| PA-020202-101230-FDS-E/D | Engel/Dometic Fridge Drawer Stacker with Engel/Dometic Fitkit - 1000L x 1020W x 300H **Fridge not included Liftout Hatch provided to access space behind the fridge (100mm narrower if tie downs added to top) - 183L x 431W | N/A | \$3,621.00 | |
| PA-020202-101236-FDS-EK | Evakool Fridge Drawer Stacker with EvaKool Fitkit - 1000L x 1020W x 365H **Fridge not included Liftout Hatch provided to access space behind the fridge (100mm narrower if tie downs added to top) - 183L x 560W | N/A | \$3,731.00 | |
| PA-020202-101236-FDS-BM | Bushman Fridge Drawer Stacker with Bushman Fitkit - 1000L x 1020W x 365H **Fridge not included Liftout Hatch provided to access space behind the fridge (100mm narrower if tie downs added to top) - 183L x 431W | N/A | \$3,731.00 | |
| PS/PA-020202-101227-1SL | Easy Access Combo 1 & Wing Kit - Small Low Platform to Passenger Side (Gap size 510W). Single Drawer O/A 1000L x 510W x 275H. Total Combo O/A 1000L x 1020W x 275H. (Suits RV-FS-1 *Not Included) | \$2,190.00 | \$2,340.00 | |
| PS/PA-020202-101227-1SR | Easy Access Combo 1 & Wing Kit - Small Low Platform to Driver Side (Gap size 510W). Single Drawer O/A 1000L x 510W x 275H. Total Combo O/A 1000L x 1020W x 275H. (Suits RV-FS-1 *Not Included) | \$2,190.00 | \$2,340.00 | |
| PS/PA-020202-101227-1LL | Easy Access Combo 1 & Wing Kit - Large Low Platform to Passenger Side (Gap size 570W). Single Drawer O/A 1000L x 450W x 275H. Total Combo O/A 1000L x 1020W x 275H. (Suits all RV-FS listed below except SO *Not Included) | \$2,190.00 | \$2,340.00 | |
| PS/PA-020202-101227-1LR | Easy Access Combo 1 & Wing Kit - Large Low Platform to Driver Side (Gap size 570W). Single Drawer O/A 1000L x 450W x 275H. Total Combo O/A 1000L x 1020W x 275H. (Suits all RV-FS listed below except SO *Not Included) | \$2,190.00 | \$2,340.00 | |
| PS/PA-020202-101227-2SL | Easy Access Combo 2 & Wing Kit - Small Low Platform to Passenger Side (Gap size 510W). Double Stacked Drawers (Standard Height Bottom Drawer O/A 1000L x 510W x 275H, Trade Height Top Drawer O/A 800L x 510W x 365H). Total Combo O/A 1000L x 1020W x 640H. (Suits RV-FS-1 *Not Included). Optional 800L Standard Height top drawer minus -\$100.00 | \$2,880.00 | \$3,180.00 | |
| PS/PA-020202-101227-2SR | Easy Access Combo 2 & Wing Kit - Small Low Platform to Driver Side (Gap size 510W). Double Stacked Drawers (Standard Height Bottom Drawer O/A 1000L x 510W x 275H, Trade Height Top Drawer O/A 800L x 510W x 365H). Total Combo O/A 1000L x 1020W x 640H. (Suits RV-FS-1 *Not Included). Optional 800L Standard Height top drawer minus -\$100.00 | \$2,880.00 | \$3,180.00 | |
| PS/PA-020202-101227-2LL | Easy Access Combo 2 & Wing Kit - Large Low Platform to Passenger Side (Gap size 570W). Double Stacked Drawers (Standard Height Bottom Drawer O/A 1000L x 450W x 275H, Trade Height Top Drawer O/A 800L x 450W x 365H). Total Combo O/A 1000L x 1020W x 640H. (Suits all RV-FS listed below except SO *Not Included). Optional 800L Standard Height top drawer minus -\$100.00 | \$2,880.00 | \$3,180.00 | |
| PS/PA-020202-101227-2LR | Easy Access Combo 2 & Wing Kit - Large Low Platform to Driver Side (Gap size 570W). Double Stacked Drawers (Standard Height Bottom Drawer O/A 1000L x 450W x 275H, Trade Height Top Drawer O/A 800L x 450W x 365H). Total Combo O/A 1000L x 1020W x 640H. (Suits all RV-FS listed below except SO *Not Included). Optional 800L Standard Height top drawer minus -\$100.00 | \$2,880.00 | \$3,180.00 | |
| PA-020202-101236-TC | Tourer Combo & Wing Kit - Low Platform to Passenger Side for Bushman 85Lt Upright Fridge (Gap size 510W). Triple Stacked Drawers Driver Side (Slimline Bottom Drawer I/D 930L x 420W x 59H Standard Height Middle Drawer I/D 930L x 420W x 190H, Trade Height Top Drawer I/D 730L x 420W x 270H). Total Combo O/A 1000L x 1020W x 731H. (Includes Cargo Shelf Double, Bushman 85Lt Upright Fridge, Drawer Lids for Slimline and Standard height drawers). | N/A | \$6,130.00 | |
| RV-EAC-IFP-1000 | Easy Access Combo INFILL PANEL - covers fridge slide cavity to create a flat solid top effect (NOTE: top drawer must be removed on EAC-2 systems) | \$176.00 | N/A | |
| RV-CS-0851-00 | Cargo Shelf single - 800L Ventilated side panel and solid top shelf to fit FS-1 (small fridge space) Suits EAC-1 1000L x 1020W | \$520.00 | N/A | |
| RV-CS-0857-00 | Cargo Shelf single - 800L Ventilated side panel and solid top shelf to fit FS-1.5 & FS-2 (large fridge space) Suits EAC-1 1000L x 1020W | \$520.00 | N/A | |
| RV-CS-0812-00 | Cargo Shelf double - 800L Ventilated side panel and solid top shelf system. Fits EAC-2 1000L x 1020W fitted with a Trade Height top drawer | \$567.00 | N/A | |
| RV-IBFS-1000-DS | Inbuilt Fridge Slide - flush fitting 1000L (Driver Side) Premium drawers only | \$448.00 | \$448.00 | |
| RV-IBFS-1000-PS | Inbuilt Fridge Slide - flush fitting 1000L (Passenger Side) Premium drawers only | \$448.00 | \$448.00 | |
| PS/PA-RV-FS-1 | Heavy Duty Fridge Slide - 750L x 455W x 80H (external incl. Travel Lock) | \$472.00 | \$522.00 | |
| PS-RV-FS-1-SO | Heavy Duty Fridge Slide - 450L x 770W x 110H (external incl. Travel Lock) | \$472.00 | N/A | |
| PS/PA-RV-FS-1.5 | Heavy Duty Fridge Slide - 750L x 530W x 80H (external incl. Travel Lock) | \$520.00 | \$570.00 | |
| PS/PA-RV-FS-2 | Heavy Duty Fridge Slide - 850L x 560W x 80H (external incl. Travel Lock) | \$567.00 | \$617.00 | |
| PS-RV-FS-2-SO | Heavy Duty Fridge Slide - 550L x 870W x 110H (external incl. Travel Lock) | \$567.00 | N/A | |
| PS/PA-RV-FS-2.25 | Heavy Duty Fridge Slide - 950L x 560W x 80H (external incl. Travel Lock) | \$590.00 | \$640.00 | |
| RV-020202-HCB | Rear Cargo Barrier - Half height for fitment to RV drawer system, ADR Compliant | \$685.00 | N/A | |
| RV-020202-TSC | Rear Top Shelf & Dividing Barrier Combination - For fitment to RV cargo barrier & drawer system **Standard Height Only | \$704.00 | N/A | |
| RV-020202-FTF | Forward Twin Floor - Twin carpeted floor system for fitment to RV drawer system, ADR Compliant | \$886.00 | N/A | |

Rear Cargo Barrier only available for standard height

Travel Slide Drawers available on page 181

Inbuilt Fridge Slides N/A for Trade Height alloy drawers

Dividing Barrier N/A for trade height drawers

| VEHICLE MAKE MODEL | TOYOTA 80 Series Landcruiser 4 Door Wagon Sahara/Rear Air (1990-1997) - 1000x1020 | TOYOTA | |
|---|--|------------|------------|
| PA: Premium Alloy PS: Premium Steel EL: EcoLite | TRADE HEIGHT DRAWERS +\$100 PER DRAWER | | |
| | PREMBLK: PREMIUM BLACK RRP +180.00 (option) | | |
| | DESCRIPTION (PRICES INCLUDE WING KIT UNLESS OTHERWISE STATED) | PS RRP | PA RRP |
| PS/PA-020203-105127-SSL | Single Drawer & Wing Kit - Standard Height to Passenger Side 1000L x 510W x 275H | \$1,375.00 | \$1,525.00 |
| PS/PA-020203-105127-SSR | Single Drawer & Wing Kit - Standard Height to Driver Side 1000L x 510 x 275H | \$1,375.00 | \$1,525.00 |
| EL-020203-101227-TDS | EcoLite Twin Drawer & Wing Kit - Standard Height 1000L x 1020W x 275H | \$1,960.00 | N/A |
| PS/PA-020203-101227-TDS | Twin Drawer & Wing Kit - Standard Height 1000L x 1020W x 275H | \$2,650.00 | \$2,950.00 |
| PS/PA-020203-101236-TDH | Twin Drawer & Wing Kit - Trade Height 1000L x 1020W x 365H | \$2,850.00 | \$3,150.00 |
| PS/PA-020203-101230-FDC-E/D | Fridge Drawer Combo with 30L Engel/Dometic Fitkit - 1000L x 1020W x 300H **Fridge not included Liftout Hatch provided to access space behind the fridge (100mm narrower if tie downs added to top) - 183L x 431W | \$2,635.00 | \$2,785.00 |
| PS/PA-020203-101236-FDC-EK | Fridge Drawer Combo with 40L EvaKool Fitkit - 1000L x 1020W x 365H **Fridge not included Liftout Hatch provided to access space behind the fridge (100mm narrower if tie downs added to top) - 183L x 560W | \$2,745.00 | \$2,895.00 |
| PS/PA-020203-101236-FDC-IM | Fridge Drawer Combo with 40L Ironman Fitkit - 1000L x 1020W x 365H **Fridge not included Liftout Hatch provided to access space behind the fridge (100mm narrower if tie downs added to top) - 183L x 510W | \$2,745.00 | \$2,895.00 |
| PS/PA-020203-101236-FDC-BM | Fridge Drawer Combo with 30L Bushman Fitkit - 1000L x 1020W x 365H **Fridge not included Liftout Hatch provided to access space behind the fridge (100mm narrower if tie downs added to top) - 183L x 431W | \$2,745.00 | \$2,895.00 |
| PA-020203-101230-FDS-E/D | Engel/Dometic Fridge Drawer Stacker with Engel/Dometic Fitkit - 1000L x 1020W x 300H **Fridge not included Liftout Hatch provided to access space behind the fridge (100mm narrower if tie downs added to top) - 183L x 431W | N/A | \$3,621.00 |
| PA-020203-101236-FDS-EK | Evakool Fridge Drawer Stacker with EvaKool Fitkit - 1000L x 1020W x 365H **Fridge not included Liftout Hatch provided to access space behind the fridge (100mm narrower if tie downs added to top) - 183L x 560W | N/A | \$3,731.00 |
| PA-020203-101236-FDS-BM | Bushman Fridge Drawer Stacker with Bushman Fitkit - 1000L x 1020W x 365H **Fridge not included Liftout Hatch provided to access space behind the fridge (100mm narrower if tie downs added to top) - 183L x 431W | N/A | \$3,731.00 |
| PS/PA-020203-101227-1SL | Easy Access Combo 1 & Wing Kit - Small Low Platform to Passenger Side (Gap size 510W). Single Drawer O/A 1000L x 510W x 275H. Total Combo O/A 1000L x 1020W x 275H. (Suits RV-FS-1 *Not Included) | \$2,190.00 | \$2,340.00 |
| PS/PA-020203-101227-1SR | Easy Access Combo 1 & Wing Kit - Small Low Platform to Driver Side (Gap size 510W). Single Drawer O/A 1000L x 510W x 275H. Total Combo O/A 1000L x 1020W x 275H. (Suits RV-FS-1 *Not Included) | \$2,190.00 | \$2,340.00 |
| PS/PA-020203-101227-1LL | Easy Access Combo 1 & Wing Kit - Large Low Platform to Passenger Side (Gap size 570W). Single Drawer O/A 1000L x 450W x 275H. Total Combo O/A 1000L x 1020W x 275H. (Suits all RV-FS listed below except SO *Not Included) | \$2,190.00 | \$2,340.00 |
| PS/PA-020203-101227-1LR | Easy Access Combo 1 & Wing Kit - Large Low Platform to Driver Side (Gap size 570W). Single Drawer O/A 1000L x 450W x 275H. Total Combo O/A 1000L x 1020W x 275H. (Suits all RV-FS listed below except SO *Not Included) | \$2,190.00 | \$2,340.00 |
| PS/PA-020203-101227-2SL | Easy Access Combo 2 & Wing Kit - Small Low Platform to Passenger Side (Gap size 510W). Double Stacked Drawers (Standard Height Bottom Drawer O/A 1000L x 510W x 275H, Trade Height Top Drawer O/A 800L x 510W x 365H). Total Combo O/A 1000L x 1020W x 640H. (Suits RV-FS-1 *Not Included). Optional 800L Standard Height top drawer minus -\$100.00 | \$2,880.00 | \$3,180.00 |
| PS/PA-020203-101227-2SR | Easy Access Combo 2 & Wing Kit - Small Low Platform to Driver Side (Gap size 510W). Double Stacked Drawers (Standard Height Bottom Drawer O/A 1000L x 510W x 275H, Trade Height Top Drawer O/A 800L x 510W x 365H). Total Combo O/A 1000L x 1020W x 640H. (Suits RV-FS-1 *Not Included). Optional 800L Standard Height top drawer minus -\$100.00 | \$2,880.00 | \$3,180.00 |
| PS/PA-020203-101227-2LL | Easy Access Combo 2 & Wing Kit - Large Low Platform to Passenger Side (Gap size 570W). Double Stacked Drawers (Standard Height Bottom Drawer O/A 1000L x 450W x 275H, Trade Height Top Drawer O/A 800L x 450W x 365H). Total Combo O/A 1000L x 1020W x 640H. (Suits all RV-FS listed below except SO *Not Included). Optional 800L Standard Height top drawer minus -\$100.00 | \$2,880.00 | \$3,180.00 |
| PS/PA-020203-101227-2LR | Easy Access Combo 2 & Wing Kit - Large Low Platform to Driver Side (Gap size 570W). Double Stacked Drawers (Standard Height Bottom Drawer O/A 1000L x 450W x 275H, Trade Height Top Drawer O/A 800L x 450W x 365H). Total Combo O/A 1000L x 1020W x 640H. (Suits all RV-FS listed below except SO *Not Included). Optional 800L Standard Height top drawer minus -\$100.00 | \$2,880.00 | \$3,180.00 |
| PA-020203-101236-TC | Tourer Combo & Wing Kit - Low Platform to Passenger Side for Bushman 85Lt Upright Fridge (Gap size 510W). Triple Stacked Drawers Driver Side (Slimline Bottom Drawer I/D 930L x 420W x 59H Standard Height Middle Drawer I/D 930L x 420W x 190H, Trade Height Top Drawer I/D 730L x 420W x 270H). Total Combo O/A 1000L x 1020W x 731H. (Includes Cargo Shelf Double, Bushman 85Lt Upright Fridge, Drawer Lids for Slimline and Standard height drawers). | N/A | \$6,130.00 |
| RV-EAC-IFP-1000 | Easy Access Combo INFILL PANEL - covers fridge slide cavity to create a flat solid top effect (NOTE: top drawer must be removed on EAC-2 systems) | \$176.00 | N/A |
| RV-CS-0851-00 | Cargo Shelf single - 800L Ventilated side panel and solid top shelf to fit FS-1 (small fridge space) Suits EAC-1 1000L x 1020W | \$520.00 | N/A |
| RV-CS-0857-00 | Cargo Shelf single - 800L Ventilated side panel and solid top shelf to fit FS-1.5 & FS-2 (large fridge space) Suits EAC-1 1000L x 1020W | \$520.00 | N/A |
| RV-CS-0812-00 | Cargo Shelf double - 800L Ventilated side panel and solid top shelf system. Fits EAC-2 1000L x 1020W fitted with a Trade Height top drawer | \$567.00 | N/A |
| RV-IBFS-1000-DS | Inbuilt Fridge Slide - flush fitting 1000L (Driver Side) Premium drawers only | \$448.00 | \$448.00 |
| RV-IBFS-1000-PS | Inbuilt Fridge Slide - flush fitting 1000L (Passenger Side) Premium drawers only | \$448.00 | \$448.00 |
| PS/PA-RV-FS-1 | Heavy Duty Fridge Slide - 750L x 455W x 80H (external incl. Travel Lock) | \$472.00 | \$522.00 |
| PS-RV-FS-1-SO | Heavy Duty Fridge Slide - 450L x 770W x 110H (external incl. Travel Lock) | \$472.00 | N/A |
| PS/PA-RV-FS-1.5 | Heavy Duty Fridge Slide - 750L x 530W x 80H (external incl. Travel Lock) | \$520.00 | \$570.00 |
| PS/PA-RV-FS-2 | Heavy Duty Fridge Slide - 850L x 560W x 80H (external incl. Travel Lock) | \$567.00 | \$617.00 |
| PS-RV-FS-2-SO | Heavy Duty Fridge Slide - 550L x 870W x 110H (external incl. Travel Lock) | \$567.00 | N/A |
| PS/PA-RV-FS-2.25 | Heavy Duty Fridge Slide - 950L x 560W x 80H (external incl. Travel Lock) | \$590.00 | \$640.00 |
| RV-020203-HCB | Rear Cargo Barrier - Half height for fitment to RV drawer system, ADR Compliant | \$685.00 | N/A |
| RV-020203-TSC | Rear Top Shelf & Dividing Barrier Combination - For fitment to RV cargo barrier & drawer system **Standard Height Only | \$704.00 | N/A |
| RV-020203-FTF | Forward Twin Floor - Twin carpeted floor system for fitment to RV drawer system, ADR Compliant | \$886.00 | N/A |

Rear Cargo Barrier only available for standard height
Travel Slide Drawers available on page 181
Inbuilt Fridge Slides N/A for Trade Height alloy drawers
Dividing Barrier N/A for trade height drawers

| PA: Premium Alloy PS: Premium Steel EL: EcoLite | | TRADE HEIGHT DRAWERS +\$100 PER DRAWER | | |
|---|--|---|------------|------------|
| | | PREMBLK: PREMIUM BLACK RRP +180.00 (option) | | |
| | | DESCRIPTION (PRICES INCLUDE WING KIT UNLESS OTHERWISE STATED) | PS RRP | PA RRP |
| PS/PA-020301-105127-SSL | Single Drawer & Wing Kit - Standard Height to Passenger Side 1000L x 510W x 275H | | \$1,375.00 | \$1,525.00 |
| PS/PA-020301-105127-SSR | Single Drawer & Wing Kit - Standard Height to Driver Side 1000L x 510 x 275H | | \$1,375.00 | \$1,525.00 |
| EL-020301-101227-TDS | EcoLite Twin Drawer & Wing Kit - Standard Height 1000L x 1020W x 275H | | \$1,960.00 | N/A |
| PS/PA-020301-101227-TDS | Twin Drawer & Wing Kit - Standard Height 1000L x 1020W x 275H | | \$2,650.00 | \$2,950.00 |
| PS/PA-020301-101236-TDH | Twin Drawer & Wing Kit - Trade Height 1000L x 1020W x 365H | | \$2,850.00 | \$3,150.00 |
| PS/PA-020301-101230-FDC-E/D | Fridge Drawer Combo with 30L Engel/Dometic Fitkit - 1000L x 1020W x 300H **Fridge not included Liftout Hatch provided to access space behind the fridge (100mm narrower if tie downs added to top) - 183L x 431W | | \$2,635.00 | \$2,785.00 |
| PS/PA-020301-101236-FDC-EK | Fridge Drawer Combo with 40L EvaKool Fitkit - 1000L x 1020W x 365H **Fridge not included Liftout Hatch provided to access space behind the fridge (100mm narrower if tie downs added to top) - 183L x 560W | | \$2,745.00 | \$2,895.00 |
| PS/PA-020301-101236-FDC-IM | Fridge Drawer Combo with 40L Ironman Fitkit - 1000L x 1020W x 365H **Fridge not included Liftout Hatch provided to access space behind the fridge (100mm narrower if tie downs added to top) - 183L x 510W | | \$2,745.00 | \$2,895.00 |
| PS/PA-020301-101236-FDC-BM | Fridge Drawer Combo with 30L Bushman Fitkit - 1000L x 1020W x 365H **Fridge not included Liftout Hatch provided to access space behind the fridge (100mm narrower if tie downs added to top) - 183L x 431W | | \$2,745.00 | \$2,895.00 |
| PA-020301-101230-FDS-E/D | Engel/Dometic Fridge Drawer Stacker with Engel/Dometic Fitkit - 1000L x 1020W x 300H **Fridge not included Liftout Hatch provided to access space behind the fridge (100mm narrower if tie downs added to top) - 183L x 431W | | N/A | \$3,621.00 |
| PA-020301-101236-FDS-EK | Evakool Fridge Drawer Stacker with EvaKool Fitkit - 1000L x 1020W x 365H **Fridge not included Liftout Hatch provided to access space behind the fridge (100mm narrower if tie downs added to top) - 183L x 560W | | N/A | \$3,731.00 |
| PA-020301-101236-FDS-BM | Bushman Fridge Drawer Stacker with Bushman Fitkit - 1000L x 1020W x 365H **Fridge not included Liftout Hatch provided to access space behind the fridge (100mm narrower if tie downs added to top) - 183L x 431W | | N/A | \$3,731.00 |
| PS/PA-020301-101227-1SL | Easy Access Combo 1 & Wing Kit - Small Low Platform to Passenger Side (Gap size 510W). Single Drawer O/A 1000L x 510W x 275H. Total Combo O/A 1000L x 1020W x 275H. (Suits RV-FS-1 *Not Included) | | \$2,190.00 | \$2,340.00 |
| PS/PA-020301-101227-1SR | Easy Access Combo 1 & Wing Kit - Small Low Platform to Driver Side (Gap size 510W). Single Drawer O/A 1000L x 510W x 275H. Total Combo O/A 1000L x 1020W x 275H. (Suits RV-FS-1 *Not Included) | | \$2,190.00 | \$2,340.00 |
| PS/PA-020301-101227-1LL | Easy Access Combo 1 & Wing Kit - Large Low Platform to Passenger Side (Gap size 570W). Single Drawer O/A 1000L x 450W x 275H. Total Combo O/A 1000L x 1020W x 275H. (Suits all RV-FS listed below except SO *Not Included) | | \$2,190.00 | \$2,340.00 |
| PS/PA-020301-101227-1LR | Easy Access Combo 1 & Wing Kit - Large Low Platform to Driver Side (Gap size 570W). Single Drawer O/A 1000L x 450W x 275H. Total Combo O/A 1000L x 1020W x 275H. (Suits all RV-FS listed below except SO *Not Included) | | \$2,190.00 | \$2,340.00 |
| PS/PA-020301-101227-2SL | Easy Access Combo 2 & Wing Kit - Small Low Platform to Passenger Side (Gap size 510W). Double Stacked Drawers (Standard Height Bottom Drawer O/A 1000L x 510W x 275H, Trade Height Top Drawer O/A 800L x 510W x 365H). Total Combo O/A 1000L x 1020W x 640H. (Suits RV-FS-1 *Not Included). Optional 800L Standard Height top drawer minus -\$100.00 | | \$2,880.00 | \$3,180.00 |
| PS/PA-020301-101227-2SR | Easy Access Combo 2 & Wing Kit - Small Low Platform to Driver Side (Gap size 510W). Double Stacked Drawers (Standard Height Bottom Drawer O/A 1000L x 510W x 275H, Trade Height Top Drawer O/A 800L x 510W x 365H). Total Combo O/A 1000L x 1020W x 640H. (Suits RV-FS-1 *Not Included). Optional 800L Standard Height top drawer minus -\$100.00 | | \$2,880.00 | \$3,180.00 |
| PS/PA-020301-101227-2LL | Easy Access Combo 2 & Wing Kit - Large Low Platform to Passenger Side (Gap size 570W). Double Stacked Drawers (Standard Height Bottom Drawer O/A 1000L x 450W x 275H, Trade Height Top Drawer O/A 800L x 450W x 365H). Total Combo O/A 1000L x 1020W x 640H. (Suits all RV-FS listed below except SO *Not Included). Optional 800L Standard Height top drawer minus -\$100.00 | | \$2,880.00 | \$3,180.00 |
| PS/PA-020301-101227-2LR | Easy Access Combo 2 & Wing Kit - Large Low Platform to Driver Side (Gap size 570W). Double Stacked Drawers (Standard Height Bottom Drawer O/A 1000L x 450W x 275H, Trade Height Top Drawer O/A 800L x 450W x 365H). Total Combo O/A 1000L x 1020W x 640H. (Suits all RV-FS listed below except SO *Not Included). Optional 800L Standard Height top drawer minus -\$100.00 | | \$2,880.00 | \$3,180.00 |
| PA-020301-101236-TC | Tourer Combo & Wing Kit - Low Platform to Passenger Side for Bushman 85L Upright Fridge (Gap size 510W). Triple Stacked Drawers Driver Side (Slimline Bottom Drawer I/D 930L x 420W x 59H Standard Height Middle Drawer I/D 930L x 420W x 190H, Trade Height Top Drawer I/D 730L x 420W x 270H). Total Combo O/A 1000L x 1020W x 731H. (Includes Cargo Shelf Double, Bushman 85L Upright Fridge, Drawer Lids for Slimline and Standard height drawers). | | N/A | \$6,130.00 |
| RV-EAC-IFP-1000 | Easy Access Combo INFILL PANEL - covers fridge slide cavity to create a flat solid top effect (NOTE: top drawer must be removed on EAC-2 systems) | | \$176.00 | N/A |
| RV-CS-0851-00 | Cargo Shelf single - 800L Ventilated side panel and solid top shelf to fit FS-1 (small fridge space) Suits EAC-1 1000L x 1020W | | \$520.00 | N/A |
| RV-CS-0857-00 | Cargo Shelf single - 800L Ventilated side panel and solid top shelf to fit FS-1.5 & FS-2 (large fridge space) Suits EAC-1 1000L x 1020W | | \$520.00 | N/A |
| RV-CS-0812-00 | Cargo Shelf double - 800L Ventilated side panel and solid top shelf system. Fits EAC-2 1000L x 1020W fitted with a Trade Height top drawer | | \$567.00 | N/A |
| RV-IBFS-1000-DS | Inbuilt Fridge Slide - flush fitting 1000L (Driver Side) Premium drawers only | | \$448.00 | \$448.00 |
| RV-IBFS-1000-PS | Inbuilt Fridge Slide - flush fitting 1000L (Passenger Side) Premium drawers only | | \$448.00 | \$448.00 |
| PS/PA-RV-FS-1 | Heavy Duty Fridge Slide - 750L x 455W x 80H (external incl. Travel Lock) | | \$472.00 | \$522.00 |
| PS-RV-FS-1-SO | Heavy Duty Fridge Slide - 450L x 770W x 110H (external incl. Travel Lock) | | \$472.00 | N/A |
| PS/PA-RV-FS-1.5 | Heavy Duty Fridge Slide - 750L x 530W x 80H (external incl. Travel Lock) | | \$520.00 | \$570.00 |
| PS/PA-RV-FS-2 | Heavy Duty Fridge Slide - 850L x 560W x 80H (external incl. Travel Lock) | | \$567.00 | \$617.00 |
| PS-RV-FS-2-SO | Heavy Duty Fridge Slide - 550L x 870W x 110H (external incl. Travel Lock) | | \$567.00 | N/A |
| PS/PA-RV-FS-2.25 | Heavy Duty Fridge Slide - 950L x 560W x 80H (external incl. Travel Lock) | | \$590.00 | \$640.00 |
| RV-020301-HCB | Rear Cargo Barrier - Half height for fitment to RV drawer system, ADR Compliant | | \$685.00 | N/A |
| RV-020301-TSC | Rear Top Shelf & Dividing Barrier Combination - For fitment to RV cargo barrier & drawer system **Standard Height Only | | \$704.00 | N/A |
| RV-020301-FTF | Forward Twin Floor - Twin carpeted floor system for fitment to RV drawer system, ADR Compliant | | \$886.00 | N/A |
| RV-020301-FCB | Forward Cargo Barrier - Half height for fitment to RV Forward Twin Floor, ADR Compliant | | \$685.00 | N/A |

Rear Cargo Barrier only available for standard height
Travel Slide Drawers available on page 181
Inbuilt Fridge Slides N/A for Trade Height alloy drawers
Dividing Barrier N/A for trade height drawers

| PA: Premium Alloy PS: Premium Steel EL: EcoLite | TRADE HEIGHT DRAWERS +\$100 PER DRAWER | | |
|---|--|------------|------------|
| | PREMBLK: PREMIUM BLACK RRP +180.00 (option) | | |
| | DESCRIPTION (PRICES INCLUDE WING KIT UNLESS OTHERWISE STATED) | PS RRP | PA RRP |
| PS/PA-020302-105127-SSL | Single Drawer & Wing Kit - Standard Height to Passenger Side 1000L x 510W x 275H | \$1,375.00 | \$1,525.00 |
| PS/PA-020302-105127-SSR | Single Drawer & Wing Kit - Standard Height to Driver Side 1000L x 510 x 275H | \$1,375.00 | \$1,525.00 |
| EL-020302-101227-TDS | EcoLite Twin Drawer & Wing Kit - Standard Height 1000L x 1020W x 275H | \$1,960.00 | N/A |
| PS/PA-020302-101227-TDS | Twin Drawer & Wing Kit - Standard Height 1000L x 1020W x 275H | \$2,650.00 | \$2,950.00 |
| PS/PA-020302-101236-TDH | Twin Drawer & Wing Kit - Trade Height 1000L x 1020W x 365H | \$2,850.00 | \$3,150.00 |
| PS/PA-020302-101230-FDC-E/D | Fridge Drawer Combo with 30L Engel/Dometic Fitkit - 1000L x 1020W x 300H **Fridge not included Liftout Hatch provided to access space behind the fridge (100mm narrower if tie downs added to top) - 183L x 431W | \$2,635.00 | \$2,785.00 |
| PS/PA-020302-101236-FDC-EK | Fridge Drawer Combo with 40L EvaKool Fitkit - 1000L x 1020W x 365H **Fridge not included Liftout Hatch provided to access space behind the fridge (100mm narrower if tie downs added to top) - 183L x 560W | \$2,745.00 | \$2,895.00 |
| PS/PA-020302-101236-FDC-IM | Fridge Drawer Combo with 40L Ironman Fitkit - 1000L x 1020W x 365H **Fridge not included Liftout Hatch provided to access space behind the fridge (100mm narrower if tie downs added to top) - 183L x 510W | \$2,745.00 | \$2,895.00 |
| PS/PA-020302-101236-FDC-BM | Fridge Drawer Combo with 30L Bushman Fitkit - 1000L x 1020W x 365H **Fridge not included Liftout Hatch provided to access space behind the fridge (100mm narrower if tie downs added to top) - 183L x 431W | \$2,745.00 | \$2,895.00 |
| PA-020302-101230-FDS-E/D | Engel/Dometic Fridge Drawer Stacker with Engel/Dometic Fitkit - 1000L x 1020W x 300H **Fridge not included Liftout Hatch provided to access space behind the fridge (100mm narrower if tie downs added to top) - 183L x 431W | N/A | \$3,621.00 |
| PA-020302-101236-FDS-EK | Evakool Fridge Drawer Stacker with EvaKool Fitkit - 1000L x 1020W x 365H **Fridge not included Liftout Hatch provided to access space behind the fridge (100mm narrower if tie downs added to top) - 183L x 560W | N/A | \$3,731.00 |
| PA-020302-101236-FDS-BM | Bushman Fridge Drawer Stacker with Bushman Fitkit - 1000L x 1020W x 365H **Fridge not included Liftout Hatch provided to access space behind the fridge (100mm narrower if tie downs added to top) - 183L x 431W | N/A | \$3,731.00 |
| PS/PA-020302-101227-1SL | Easy Access Combo 1 & Wing Kit - Small Low Platform to Passenger Side (Gap size 510W). Single Drawer O/A 1000L x 510W x 275H. Total Combo O/A 1000L x 1020W x 275H. (Suits RV-FS-1 *Not Included) | \$2,190.00 | \$2,340.00 |
| PS/PA-020302-101227-1SR | Easy Access Combo 1 & Wing Kit - Small Low Platform to Driver Side (Gap size 510W). Single Drawer O/A 1000L x 510W x 275H. Total Combo O/A 1000L x 1020W x 275H. (Suits RV-FS-1 *Not Included) | \$2,190.00 | \$2,340.00 |
| PS/PA-020302-101227-1LL | Easy Access Combo 1 & Wing Kit - Large Low Platform to Passenger Side (Gap size 570W). Single Drawer O/A 1000L x 450W x 275H. Total Combo O/A 1000L x 1020W x 275H. (Suits all RV-FS listed below except SO *Not Included) | \$2,190.00 | \$2,340.00 |
| PS/PA-020302-101227-1LR | Easy Access Combo 1 & Wing Kit - Large Low Platform to Driver Side (Gap size 570W). Single Drawer O/A 1000L x 450W x 275H. Total Combo O/A 1000L x 1020W x 275H. (Suits all RV-FS listed below except SO *Not Included) | \$2,190.00 | \$2,340.00 |
| PS/PA-020302-101227-2SL | Easy Access Combo 2 & Wing Kit - Small Low Platform to Passenger Side (Gap size 510W). Double Stacked Drawers (Standard Height Bottom Drawer O/A 1000L x 510W x 275H, Trade Height Top Drawer O/A 800L x 510W x 365H). Total Combo O/A 1000L x 1020W x 640H. (Suits RV-FS-1 *Not Included). Optional 800L Standard Height top drawer minus -\$100.00 | \$2,880.00 | \$3,180.00 |
| PS/PA-020302-101227-2SR | Easy Access Combo 2 & Wing Kit - Small Low Platform to Driver Side (Gap size 510W). Double Stacked Drawers (Standard Height Bottom Drawer O/A 1000L x 510W x 275H, Trade Height Top Drawer O/A 800L x 510W x 365H). Total Combo O/A 1000L x 1020W x 640H. (Suits RV-FS-1 *Not Included). Optional 800L Standard Height top drawer minus -\$100.00 | \$2,880.00 | \$3,180.00 |
| PS/PA-020302-101227-2LL | Easy Access Combo 2 & Wing Kit - Large Low Platform to Passenger Side (Gap size 570W). Double Stacked Drawers (Standard Height Bottom Drawer O/A 1000L x 450W x 275H, Trade Height Top Drawer O/A 800L x 450W x 365H). Total Combo O/A 1000L x 1020W x 640H. (Suits all RV-FS listed below except SO *Not Included). Optional 800L Standard Height top drawer minus -\$100.00 | \$2,880.00 | \$3,180.00 |
| PS/PA-020302-101227-2LR | Easy Access Combo 2 & Wing Kit - Large Low Platform to Driver Side (Gap size 570W). Double Stacked Drawers (Standard Height Bottom Drawer O/A 1000L x 450W x 275H, Trade Height Top Drawer O/A 800L x 450W x 365H). Total Combo O/A 1000L x 1020W x 640H. (Suits all RV-FS listed below except SO *Not Included). Optional 800L Standard Height top drawer minus -\$100.00 | \$2,880.00 | \$3,180.00 |
| PA-020302-101236-TC | Tourer Combo & Wing Kit - Low Platform to Passenger Side for Bushman 85Lt Upright Fridge (Gap size 510W). Triple Stacked Drawers Driver Side (Slimline Bottom Drawer I/D 930L x 420W x 59H Standard Height Middle Drawer I/D 930L x 420W x 190H, Trade Height Top Drawer I/D 730L x 420W x 270H). Total Combo O/A 1000L x 1020W x 731H. (Includes Cargo Shelf Double, Bushman 85Lt Upright Fridge, Drawer Lids for Slimline and Standard height drawers). | N/A | \$6,130.00 |
| RV-EAC-IFP-1000 | Easy Access Combo INFILL PANEL - covers fridge slide cavity to create a flat solid top effect (NOTE: top drawer must be removed on EAC-2 systems) | \$176.00 | N/A |
| RV-CS-0851-00 | Cargo Shelf single - 800L Ventilated side panel and solid top shelf to fit FS-1 (small fridge space) Suits EAC-1 1000L x 1020W | \$520.00 | N/A |
| RV-CS-0857-00 | Cargo Shelf single - 800L Ventilated side panel and solid top shelf to fit FS-1.5 & FS-2 (large fridge space) Suits EAC-1 1000L x 1020W | \$520.00 | N/A |
| RV-CS-0812-00 | Cargo Shelf double - 800L Ventilated side panel and solid top shelf system. Fits EAC-2 1000L x 1020W fitted with a Trade Height top drawer | \$567.00 | N/A |
| RV-IBFS-1000-DS | Inbuilt Fridge Slide - flush fitting 1000L (Driver Side) Premium drawers only | \$448.00 | \$448.00 |
| RV-IBFS-1000-PS | Inbuilt Fridge Slide - flush fitting 1000L (Passenger Side) Premium drawers only | \$448.00 | \$448.00 |
| PS/PA-RV-FS-1 | Heavy Duty Fridge Slide - 750L x 455W x 80H (external incl. Travel Lock) | \$472.00 | \$522.00 |
| PS-RV-FS-1-SO | Heavy Duty Fridge Slide - 450L x 770W x 110H (external incl. Travel Lock) | \$472.00 | N/A |
| PS/PA-RV-FS-1.5 | Heavy Duty Fridge Slide - 750L x 530W x 80H (external incl. Travel Lock) | \$520.00 | \$570.00 |
| PS/PA-RV-FS-2 | Heavy Duty Fridge Slide - 850L x 560W x 80H (external incl. Travel Lock) | \$567.00 | \$617.00 |
| PS-RV-FS-2-SO | Heavy Duty Fridge Slide - 550L x 870W x 110H (external incl. Travel Lock) | \$567.00 | N/A |
| PS/PA-RV-FS-2.25 | Heavy Duty Fridge Slide - 950L x 560W x 80H (external incl. Travel Lock) | \$590.00 | \$640.00 |
| RV-020302-HCB | Rear Cargo Barrier - Half height for fitment to RV drawer system, ADR Compliant | \$685.00 | N/A |
| RV-020302-TSC | Rear Top Shelf & Dividing Barrier Combination - For fitment to RV cargo barrier & drawer system **Standard Height Only | \$704.00 | N/A |
| RV-020302-FTF | Forward Twin Floor - Twin carpeted floor system for fitment to RV drawer system, ADR Compliant | \$886.00 | N/A |
| RV-020302-FCB | Forward Cargo Barrier - Half height for fitment to RV Forward Twin Floor, ADR Compliant | \$685.00 | N/A |

Rear Cargo Barrier only available for standard height
Travel Slide Drawers available on page 181
Inbuilt Fridge Slides N/A for Trade Height alloy drawers
Dividing Barrier N/A for trade height drawers

VEHICLE
MAKE
MODEL

TOYOTA
100 Series Landcruiser 4 Door Wagon
Sahara/Rear Air (1998-2007)
GXL Upgrade/Rear Air (September 2005-2007) - 1000x1020

TOYOTA

126

| PA: Premium Alloy PS: Premium Steel EL: EcoLite | TRADE HEIGHT DRAWERS +\$100 PER DRAWER | | |
|---|--|------------|------------|
| | PREMLBK: PREMIUM BLACK RRP +180.00 (option) | | |
| | DESCRIPTION (PRICES INCLUDE WING KIT UNLESS OTHERWISE STATED) | PS RRP | PA RRP |
| PS/PA-020303-105127-SSL | Single Drawer & Wing Kit - Standard Height to Passenger Side 1000L x 510W x 275H | \$1,375.00 | \$1,525.00 |
| PS/PA-020303-105127-SSR | Single Drawer & Wing Kit - Standard Height to Driver Side 1000L x 510 x 275H | \$1,375.00 | \$1,525.00 |
| EL-020303-101227-TDS | EcoLite Twin Drawer & Wing Kit - Standard Height 1000L x 1020W x 275H | \$1,960.00 | N/A |
| PS/PA-020303-101227-TDS | Twin Drawer & Wing Kit - Standard Height 1000L x 1020W x 275H | \$2,650.00 | \$2,950.00 |
| PS/PA-020303-101236-TDH | Twin Drawer & Wing Kit - Trade Height 1000L x 1020W x 365H | \$2,850.00 | \$3,150.00 |
| PS/PA-020303-101230-FDC-E/D | Fridge Drawer Combo with 30L Engel/Dometic Fitkit - 1000L x 1020W x 300H **Fridge not included Liftout Hatch provided to access space behind the fridge (100mm narrower if tie downs added to top) - 183L x 431W | \$2,635.00 | \$2,785.00 |
| PS/PA-020303-101236-FDC-EK | Fridge Drawer Combo with 40L EvaKool Fitkit - 1000L x 1020W x 365H **Fridge not included Liftout Hatch provided to access space behind the fridge (100mm narrower if tie downs added to top) - 183L x 560W | \$2,745.00 | \$2,895.00 |
| PS/PA-020303-101236-FDC-IM | Fridge Drawer Combo with 40L Ironman Fitkit - 1000L x 1020W x 365H **Fridge not included Liftout Hatch provided to access space behind the fridge (100mm narrower if tie downs added to top) - 183L x 510W | \$2,745.00 | \$2,895.00 |
| PS/PA-020303-101236-FDC-BM | Fridge Drawer Combo with 30L Bushman Fitkit - 1000L x 1020W x 365H **Fridge not included Liftout Hatch provided to access space behind the fridge (100mm narrower if tie downs added to top) - 183L x 431W | \$2,745.00 | \$2,895.00 |
| PA-020303-101230-FDS-E/D | Engel/Dometic Fridge Drawer Stacker with Engel/Dometic Fitkit - 1000L x 1020W x 300H **Fridge not included Liftout Hatch provided to access space behind the fridge (100mm narrower if tie downs added to top) - 183L x 431W | N/A | \$3,621.00 |
| PA-020303-101236-FDS-EK | Evakool Fridge Drawer Stacker with Evakool Fitkit - 1000L x 1020W x 365H **Fridge not included Liftout Hatch provided to access space behind the fridge (100mm narrower if tie downs added to top) - 183L x 560W | N/A | \$3,731.00 |
| PA-020303-101236-FDS-BM | Bushman Fridge Drawer Stacker with Bushman Fitkit - 1000L x 1020W x 365H **Fridge not included Liftout Hatch provided to access space behind the fridge (100mm narrower if tie downs added to top) - 183L x 431W | N/A | \$3,731.00 |
| PS/PA-020303-101227-1SL | Easy Access Combo 1 & Wing Kit - Small Low Platform to Passenger Side (Gap size 510W). Single Drawer O/A 1000L x 510W x 275H. Total Combo O/A 1000L x 1020W x 275H. (Suits RV-FS-1 *Not Included) | \$2,190.00 | \$2,340.00 |
| PS/PA-020303-101227-1SR | Easy Access Combo 1 & Wing Kit - Small Low Platform to Driver Side (Gap size 510W). Single Drawer O/A 1000L x 510W x 275H. Total Combo O/A 1000L x 1020W x 275H. (Suits RV-FS-1 *Not Included) | \$2,190.00 | \$2,340.00 |
| PS/PA-020303-101227-1LL | Easy Access Combo 1 & Wing Kit - Large Low Platform to Passenger Side (Gap size 570W). Single Drawer O/A 1000L x 450W x 275H. Total Combo O/A 1000L x 1020W x 275H. (Suits all RV-FS listed below except SO *Not Included) | \$2,190.00 | \$2,340.00 |
| PS/PA-020303-101227-1LR | Easy Access Combo 1 & Wing Kit - Large Low Platform to Driver Side (Gap size 570W). Single Drawer O/A 1000L x 450W x 275H. Total Combo O/A 1000L x 1020W x 275H. (Suits all RV-FS listed below except SO *Not Included) | \$2,190.00 | \$2,340.00 |
| PS/PA-020303-101227-2SL | Easy Access Combo 2 & Wing Kit - Small Low Platform to Passenger Side (Gap size 510W). Double Stacked Drawers (Standard Height Bottom Drawer O/A 1000L x 510W x 275H, Trade Height Top Drawer O/A 800L x 510W x 365H). Total Combo O/A 1000L x 1020W x 640H. (Suits RV-FS-1 *Not Included). Optional 800L Standard Height top drawer minus -\$100.00 | \$2,880.00 | \$3,180.00 |
| PS/PA-020303-101227-2SR | Easy Access Combo 2 & Wing Kit - Small Low Platform to Driver Side (Gap size 510W). Double Stacked Drawers (Standard Height Bottom Drawer O/A 1000L x 510W x 275H, Trade Height Top Drawer O/A 800L x 510W x 365H). Total Combo O/A 1000L x 1020W x 640H. (Suits RV-FS-1 *Not Included). Optional 800L Standard Height top drawer minus -\$100.00 | \$2,880.00 | \$3,180.00 |
| PS/PA-020303-101227-2LL | Easy Access Combo 2 & Wing Kit - Large Low Platform to Passenger Side (Gap size 570W). Double Stacked Drawers (Standard Height Bottom Drawer O/A 1000L x 450W x 275H, Trade Height Top Drawer O/A 800L x 450W x 365H). Total Combo O/A 1000L x 1020W x 640H. (Suits all RV-FS listed below except SO *Not Included). Optional 800L Standard Height top drawer minus -\$100.00 | \$2,880.00 | \$3,180.00 |
| PS/PA-020303-101227-2LR | Easy Access Combo 2 & Wing Kit - Large Low Platform to Driver Side (Gap size 570W). Double Stacked Drawers (Standard Height Bottom Drawer O/A 1000L x 450W x 275H, Trade Height Top Drawer O/A 800L x 450W x 365H). Total Combo O/A 1000L x 1020W x 640H. (Suits all RV-FS listed below except SO *Not Included). Optional 800L Standard Height top drawer minus -\$100.00 | \$2,880.00 | \$3,180.00 |
| PA-020303-101236-TC | Tourer Combo & Wing Kit - Low Platform to Passenger Side for Bushman 85Lt Upright Fridge (Gap size 510W). Triple Stacked Drawers Driver Side (Slimline Bottom Drawer I/D 930L x 420W x 59H Standard Height Middle Drawer I/D 930L x 420W x 190H, Trade Height Top Drawer I/D 730L x 420W x 270H). Total Combo O/A 1000L x 1020W x 731H. (Includes Cargo Shelf Double, Bushman 85Lt Upright Fridge, Drawer Lids for Slimline and Standard height drawers). | N/A | \$6,130.00 |
| RV-EAC-IFP-1000 | Easy Access Combo INFILL PANEL - covers fridge slide cavity to create a flat solid top effect (NOTE: top drawer must be removed on EAC-2 systems) | \$176.00 | N/A |
| RV-CS-0851-00 | Cargo Shelf single - 800L Ventilated side panel and solid top shelf to fit FS-1 (small fridge space) Suits EAC-1 1000L x 1020W | \$520.00 | N/A |
| RV-CS-0857-00 | Cargo Shelf single - 800L Ventilated side panel and solid top shelf to fit FS-1.5 & FS-2 (large fridge space) Suits EAC-1 1000L x 1020W | \$520.00 | N/A |
| RV-CS-0812-00 | Cargo Shelf double - 800L Ventilated side panel and solid top shelf system. Fits EAC-2 1000L x 1020W fitted with a Trade Height top drawer | \$567.00 | N/A |
| RV-IBFS-1000-DS | Inbuilt Fridge Slide - flush fitting 1000L (Driver Side) Premium drawers only | \$448.00 | \$448.00 |
| RV-IBFS-1000-PS | Inbuilt Fridge Slide - flush fitting 1000L (Passenger Side) Premium drawers only | \$448.00 | \$448.00 |
| PS/PA-RV-FS-1 | Heavy Duty Fridge Slide - 750L x 455W x 80H (external incl. Travel Lock) | \$472.00 | \$522.00 |
| PS-RV-FS-1-SO | Heavy Duty Fridge Slide - 450L x 770W x 110H (external incl. Travel Lock) | \$472.00 | N/A |
| PS/PA-RV-FS-1.5 | Heavy Duty Fridge Slide - 750L x 530W x 80H (external incl. Travel Lock) | \$520.00 | \$570.00 |
| PS/PA-RV-FS-2 | Heavy Duty Fridge Slide - 850L x 560W x 80H (external incl. Travel Lock) | \$567.00 | \$617.00 |
| PS-RV-FS-2-SO | Heavy Duty Fridge Slide - 550L x 870W x 110H (external incl. Travel Lock) | \$567.00 | N/A |
| PS/PA-RV-FS-2.25 | Heavy Duty Fridge Slide - 950L x 560W x 80H (external incl. Travel Lock) | \$590.00 | \$640.00 |
| RV-020303-HCB | Rear Cargo Barrier - Half height for fitment to RV drawer system, ADR Compliant | \$685.00 | N/A |
| RV-020303-TSC | Rear Top Shelf & Dividing Barrier Combination - For fitment to RV cargo barrier & drawer system **Standard Height Only | \$704.00 | N/A |
| RV-020303-FTF | Forward Twin Floor - Twin carpeted floor system for fitment to RV drawer system, ADR Compliant | \$886.00 | N/A |
| RV-020303-FCB | Forward Cargo Barrier - Half height for fitment to RV Forward Twin Floor, ADR Compliant | \$685.00 | N/A |

Rear Cargo Barrier only available for standard height
Travel Slide Drawers available on page 181
Inbuilt Fridge Slides N/A for Trade Height alloy drawers
Dividing Barrier N/A for trade height drawers

| VEHICLE MAKE MODEL | TOYOTA 200 Series Landcruiser 4 Door Wagon GX 5 Seater (2008+) - 1000x1020 | TOYOTA | |
|---|--|------------|------------|
| PA: Premium Alloy PS: Premium Steel EL: EcoLite | TRADE HEIGHT DRAWERS +\$100 PER DRAWER | | |
| | PREMLBK: PREMIUM BLACK RRP +180.00 (option) | | |
| | DESCRIPTION (PRICES INCLUDE WING KIT UNLESS OTHERWISE STATED) | PS RRP | PA RRP |
| PS/PA-020401-105127-SSL | Single Drawer & Wing Kit - Standard Height to Passenger Side 1000L x 510W x 275H | \$1,375.00 | \$1,525.00 |
| PS/PA-020401-105127-SSR | Single Drawer & Wing Kit - Standard Height to Driver Side 1000L x 510 x 275H | \$1,375.00 | \$1,525.00 |
| EL-020401-101227-TDS | EcoLite Twin Drawer & Wing Kit - Standard Height 1000L x 1020W x 275H | \$1,960.00 | N/A |
| PS/PA-020401-101227-TDS | Twin Drawer & Wing Kit - Standard Height 1000L x 1020W x 275H | \$2,650.00 | \$2,950.00 |
| PS/PA-020401-101236-TDH | Twin Drawer & Wing Kit - Trade Height 1000L x 1020W x 365H | \$2,850.00 | \$3,150.00 |
| PS/PA-020401-101230-FDC-E/D | Fridge Drawer Combo with 30L Engel/Dometic Fitkit - 1000L x 1020W x 300H **Fridge not included Liftout Hatch provided to access space behind the fridge (100mm narrower if tie downs added to top) - 183L x 431W | \$2,635.00 | \$2,785.00 |
| PS/PA-020401-101236-FDC-EK | Fridge Drawer Combo with 40L EvaKool Fitkit - 1000L x 1020W x 365H **Fridge not included Liftout Hatch provided to access space behind the fridge (100mm narrower if tie downs added to top) - 183L x 560W | \$2,745.00 | \$2,895.00 |
| PS/PA-020401-101236-FDC-IM | Fridge Drawer Combo with 40L Ironman Fitkit - 1000L x 1020W x 365H **Fridge not included Liftout Hatch provided to access space behind the fridge (100mm narrower if tie downs added to top) - 183L x 510W | \$2,745.00 | \$2,895.00 |
| PS/PA-020401-101236-FDC-BM | Fridge Drawer Combo with 30L Bushman Fitkit - 1000L x 1020W x 365H **Fridge not included Liftout Hatch provided to access space behind the fridge (100mm narrower if tie downs added to top) - 183L x 431W | \$2,745.00 | \$2,895.00 |
| PA-020401-101230-FDS-E/D | Engel/Dometic Fridge Drawer Stacker with Engel/Dometic Fitkit - 1000L x 1020W x 300H **Fridge not included Liftout Hatch provided to access space behind the fridge (100mm narrower if tie downs added to top) - 183L x 431W | N/A | \$3,621.00 |
| PA-020401-101236-FDS-EK | Evakool Fridge Drawer Stacker with EvaKool Fitkit - 1000L x 1020W x 365H **Fridge not included Liftout Hatch provided to access space behind the fridge (100mm narrower if tie downs added to top) - 183L x 560W | N/A | \$3,731.00 |
| PA-020401-101236-FDS-BM | Bushman Fridge Drawer Stacker with Bushman Fitkit - 1000L x 1020W x 365H **Fridge not included Liftout Hatch provided to access space behind the fridge (100mm narrower if tie downs added to top) - 183L x 431W | N/A | \$3,731.00 |
| PS/PA-020401-101227-1SL | Easy Access Combo 1 & Wing Kit - Small Low Platform to Passenger Side (Gap size 510W). Single Drawer O/A 1000L x 510W x 275H. Total Combo O/A 1000L x 1020W x 275H. (Suits RV-FS-1 *Not Included) | \$2,190.00 | \$2,340.00 |
| PS/PA-020401-101227-1SR | Easy Access Combo 1 & Wing Kit - Small Low Platform to Driver Side (Gap size 510W). Single Drawer O/A 1000L x 510W x 275H. Total Combo O/A 1000L x 1020W x 275H. (Suits RV-FS-1 *Not Included) | \$2,190.00 | \$2,340.00 |
| PS/PA-020401-101227-1LL | Easy Access Combo 1 & Wing Kit - Large Low Platform to Passenger Side (Gap size 570W). Single Drawer O/A 1000L x 450W x 275H. Total Combo O/A 1000L x 1020W x 275H. (Suits all RV-FS listed below except SO *Not Included) | \$2,190.00 | \$2,340.00 |
| PS/PA-020401-101227-1LR | Easy Access Combo 1 & Wing Kit - Large Low Platform to Driver Side (Gap size 570W). Single Drawer O/A 1000L x 450W x 275H. Total Combo O/A 1000L x 1020W x 275H. (Suits all RV-FS listed below except SO *Not Included) | \$2,190.00 | \$2,340.00 |
| PS/PA-020401-101227-2SL | Easy Access Combo 2 & Wing Kit - Small Low Platform to Passenger Side (Gap size 510W). Double Stacked Drawers (Standard Height Bottom Drawer O/A 1000L x 510W x 275H, Trade Height Top Drawer O/A 800L x 510W x 365H). Total Combo O/A 1000L x 1020W x 640H. (Suits RV-FS-1 *Not Included). Optional 800L Standard Height top drawer minus -\$100.00 | \$2,880.00 | \$3,180.00 |
| PS/PA-020401-101227-2SR | Easy Access Combo 2 & Wing Kit - Small Low Platform to Driver Side (Gap size 510W). Double Stacked Drawers (Standard Height Bottom Drawer O/A 1000L x 510W x 275H, Trade Height Top Drawer O/A 800L x 510W x 365H). Total Combo O/A 1000L x 1020W x 640H. (Suits RV-FS-1 *Not Included). Optional 800L Standard Height top drawer minus -\$100.00 | \$2,880.00 | \$3,180.00 |
| PS/PA-020401-101227-2LL | Easy Access Combo 2 & Wing Kit - Large Low Platform to Passenger Side (Gap size 570W). Double Stacked Drawers (Standard Height Bottom Drawer O/A 1000L x 450W x 275H, Trade Height Top Drawer O/A 800L x 450W x 365H). Total Combo O/A 1000L x 1020W x 640H. (Suits all RV-FS listed below except SO *Not Included). Optional 800L Standard Height top drawer minus -\$100.00 | \$2,880.00 | \$3,180.00 |
| PS/PA-020401-101227-2LR | Easy Access Combo 2 & Wing Kit - Large Low Platform to Driver Side (Gap size 570W). Double Stacked Drawers (Standard Height Bottom Drawer O/A 1000L x 450W x 275H, Trade Height Top Drawer O/A 800L x 450W x 365H). Total Combo O/A 1000L x 1020W x 640H. (Suits all RV-FS listed below except SO *Not Included). Optional 800L Standard Height top drawer minus -\$100.00 | \$2,880.00 | \$3,180.00 |
| PA-020401-101236-TC | Tourer Combo & Wing Kit - Low Platform to Passenger Side for Bushman 85Lt Upright Fridge (Gap size 510W). Triple Stacked Drawers Driver Side (Slimline Bottom Drawer I/D 930L x 420W x 59H Standard Height Middle Drawer I/D 930L x 420W x 190H, Trade Height Top Drawer I/D 730L x 420W x 270H). Total Combo O/A 1000L x 1020W x 731H. (Includes Cargo Shelf Double, Bushman 85Lt Upright Fridge, Drawer Lids for Slimline and Standard height drawers). | N/A | \$6,130.00 |
| RV-EAC-IFP-1000 | Easy Access Combo INFILL PANEL - covers fridge slide cavity to create a flat solid top effect (NOTE: top drawer must be removed on EAC-2 systems) | \$176.00 | N/A |
| RV-CS-0851-00 | Cargo Shelf single - 800L Ventilated side panel and solid top shelf to fit FS-1 (small fridge space) Suits EAC-1 1000L x 1020W | \$520.00 | N/A |
| RV-CS-0857-00 | Cargo Shelf single - 800L Ventilated side panel and solid top shelf to fit FS-1.5 & FS-2 (large fridge space) Suits EAC-1 1000L x 1020W | \$520.00 | N/A |
| RV-CS-0812-00 | Cargo Shelf double - 800L Ventilated side panel and solid top shelf system. Fits EAC-2 1000L x 1020W fitted with a Trade Height top drawer | \$567.00 | N/A |
| RV-IBFS-1000-DS | Inbuilt Fridge Slide - flush fitting 1000L (Driver Side) Premium drawers only | \$448.00 | \$448.00 |
| RV-IBFS-1000-PS | Inbuilt Fridge Slide - flush fitting 1000L (Passenger Side) Premium drawers only | \$448.00 | \$448.00 |
| PS/PA-RV-FS-1 | Heavy Duty Fridge Slide - 750L x 455W x 80H (external incl. Travel Lock) | \$472.00 | \$522.00 |
| PS-RV-FS-1-SO | Heavy Duty Fridge Slide - 450L x 770W x 110H (external incl. Travel Lock) | \$472.00 | N/A |
| PS/PA-RV-FS-1.5 | Heavy Duty Fridge Slide - 750L x 530W x 80H (external incl. Travel Lock) | \$520.00 | \$570.00 |
| PS/PA-RV-FS-2 | Heavy Duty Fridge Slide - 850L x 560W x 80H (external incl. Travel Lock) | \$567.00 | \$617.00 |
| PS-RV-FS-2-SO | Heavy Duty Fridge Slide - 550L x 870W x 110H (external incl. Travel Lock) | \$567.00 | N/A |
| PS/PA-RV-FS-2.25 | Heavy Duty Fridge Slide - 950L x 560W x 80H (external incl. Travel Lock) | \$590.00 | \$640.00 |
| RV-020401-HCB | Rear Cargo Barrier - Half height for fitment to RV drawer system, ADR Compliant | \$685.00 | N/A |
| RV-020401-TSC | Rear Top Shelf & Dividing Barrier Combination - For fitment to RV cargo barrier & drawer system **Standard Height Only | \$704.00 | N/A |
| RV-020401-FTF | Forward Twin Floor - Twin carpeted floor system for fitment to RV drawer system, ADR Compliant | \$886.00 | N/A |
| RV-020401-FCB | Forward Cargo Barrier - Half height for fitment to RV Forward Twin Floor, ADR Compliant | \$685.00 | N/A |

Travel Slide Drawers available on page 181
Inbuilt Fridge Slides N/A for Trade Height alloy drawers
Dividing Barrier N/A for trade height drawers

| VEHICLE MAKE MODEL | TOYOTA 200 Series Landcruiser 4 Door Wagon GXL, VX, Sahara (2008 - 2012) - 1000x1020 | TOYOTA | |
|---|--|------------|------------|
| PA: Premium Alloy PS: Premium Steel EL: EcoLite | TRADE HEIGHT DRAWERS +\$100 PER DRAWER | | |
| | PREMBLK: PREMIUM BLACK RRP +180.00 (option) | | |
| | DESCRIPTION (PRICES INCLUDE WING KIT UNLESS OTHERWISE STATED) | PS RRP | PA RRP |
| PS/PA-020402-105127-SSL | Single Drawer & Wing Kit - Standard Height to Passenger Side 1000L x 510W x 275H | \$1,375.00 | \$1,525.00 |
| PS/PA-020402-105127-SSR | Single Drawer & Wing Kit - Standard Height to Driver Side 1000L x 510 x 275H | \$1,375.00 | \$1,525.00 |
| PS/PA-020402-105136-SHL | Single Drawer & Wing Kit - Trade Height Drawer to Passenger Side 1000L x 510 x 365H | \$1,475.00 | \$1,625.00 |
| PS/PA-020402-105136-SHR | Single Drawer & Wing Kit - Trade Height Drawer to Driver Side 1000L x 510 x 365H | \$1,475.00 | \$1,625.00 |
| EL-020402-101227-TDS | EcoLite Twin Drawer & Wing Kit - Standard Height 1000L x 1020W x 275H | \$1,960.00 | N/A |
| PS/PA-020402-101227-TDS | Twin Drawer & Wing Kit - Standard Height 1000L x 1020W x 275H | \$2,650.00 | \$2,950.00 |
| PS/PA-020402-101236-TDH | Twin Drawer & Wing Kit - Trade Height Drawers 1000L x 1020W x 365H | \$2,850.00 | \$3,150.00 |
| PS/PA-020402-101230-FDC-E/D | Fridge Drawer Combo with 30L Engel/Dometic Fitkit - 1000L x 1020W x 300H **Fridge not included Liftout Hatch provided to access space behind the fridge (100mm narrower if tie downs added to top) - 183L x 431W | \$2,635.00 | \$2,785.00 |
| PS/PA-020402-101236-FDC-EK | Fridge Drawer Combo with 40L EvaKool Fitkit - 1000L x 1020W x 365H **Fridge not included Liftout Hatch provided to access space behind the fridge (100mm narrower if tie downs added to top) - 183L x 560W | \$2,745.00 | \$2,895.00 |
| PS/PA-020402-101236-FDC-IM | Fridge Drawer Combo with 40L Ironman Fitkit - 1000L x 1020W x 365H **Fridge not included Liftout Hatch provided to access space behind the fridge (100mm narrower if tie downs added to top) - 183L x 510W | \$2,745.00 | \$2,895.00 |
| PS/PA-020402-101236-FDC-BM | Fridge Drawer Combo with 30L Bushman Fitkit - 1000L x 1020W x 365H **Fridge not included Liftout Hatch provided to access space behind the fridge (100mm narrower if tie downs added to top) - 183L x 431W | \$2,745.00 | \$2,895.00 |
| PA-020402-101230-FDS-E/D | Engel/Dometic Fridge Drawer Stacker with Engel/Dometic Fitkit - 1000L x 1020W x 300H **Fridge not included Liftout Hatch provided to access space behind the fridge (100mm narrower if tie downs added to top) - 183L x 431W | N/A | \$3,621.00 |
| PA-020402-101236-FDS-EK | Evakool Fridge Drawer Stacker with EvaKool Fitkit - 1000L x 1020W x 365H **Fridge not included Liftout Hatch provided to access space behind the fridge (100mm narrower if tie downs added to top) - 183L x 560W | N/A | \$3,731.00 |
| PA-020402-101236-FDS-BM | Bushman Fridge Drawer Stacker with Bushman Fitkit - 1000L x 1020W x 365H **Fridge not included Liftout Hatch provided to access space behind the fridge (100mm narrower if tie downs added to top) - 183L x 431W | N/A | \$3,731.00 |
| PS/PA-020402-101227-1SL | Easy Access Combo 1 & Wing Kit - Small Low Platform to Passenger Side (Gap size 510W). Single Drawer O/A 1000L x 510W x 275H. Total Combo O/A 1000L x 1020W x 275H. (Suits RV-FS-1 *Not Included) | \$2,190.00 | \$2,340.00 |
| PS/PA-020402-101227-1SR | Easy Access Combo 1 & Wing Kit - Small Low Platform to Driver Side (Gap size 510W). Single Drawer O/A 1000L x 510W x 275H. Total Combo O/A 1000L x 1020W x 275H. (Suits RV-FS-1 *Not Included) | \$2,190.00 | \$2,340.00 |
| PS/PA-020402-101227-1LL | Easy Access Combo 1 & Wing Kit - Large Low Platform to Passenger Side (Gap size 570W). Single Drawer O/A 1000L x 450W x 275H. Total Combo O/A 1000L x 1020W x 275H. (Suits all RV-FS listed below except SO *Not Included) | \$2,190.00 | \$2,340.00 |
| PS/PA-020402-101227-1LR | Easy Access Combo 1 & Wing Kit - Large Low Platform to Driver Side (Gap size 570W). Single Drawer O/A 1000L x 450W x 275H. Total Combo O/A 1000L x 1020W x 275H. (Suits all RV-FS listed below except SO *Not Included) | \$2,190.00 | \$2,340.00 |
| PS/PA-020402-101227-2SL | Easy Access Combo 2 & Wing Kit - Small Low Platform to Passenger Side (Gap size 510W). Double Stacked Drawers (Standard Height Bottom Drawer O/A 1000L x 510W x 275H, Trade Height Top Drawer O/A 800L x 510W x 365H). Total Combo O/A 1000L x 1020W x 640H. (Suits RV-FS-1 *Not Included). Optional 800L Standard Height top drawer minus -\$100.00 | \$2,880.00 | \$3,180.00 |
| PS/PA-020402-101227-2SR | Easy Access Combo 2 & Wing Kit - Small Low Platform to Driver Side (Gap size 510W). Double Stacked Drawers (Standard Height Bottom Drawer O/A 1000L x 510W x 275H, Trade Height Top Drawer O/A 800L x 510W x 365H). Total Combo O/A 1000L x 1020W x 640H. (Suits RV-FS-1 *Not Included). Optional 800L Standard Height top drawer minus -\$100.00 | \$2,880.00 | \$3,180.00 |
| PS/PA-020402-101227-2LL | Easy Access Combo 2 & Wing Kit - Large Low Platform to Passenger Side (Gap size 570W). Double Stacked Drawers (Standard Height Bottom Drawer O/A 1000L x 450W x 275H, Trade Height Top Drawer O/A 800L x 450W x 365H). Total Combo O/A 1000L x 1020W x 640H. (Suits all RV-FS listed below except SO *Not Included). Optional 800L Standard Height top drawer minus -\$100.00 | \$2,880.00 | \$3,180.00 |
| PS/PA-020402-101227-2LR | Easy Access Combo 2 & Wing Kit - Large Low Platform to Driver Side (Gap size 570W). Double Stacked Drawers (Standard Height Bottom Drawer O/A 1000L x 450W x 275H, Trade Height Top Drawer O/A 800L x 450W x 365H). Total Combo O/A 1000L x 1020W x 640H. (Suits all RV-FS listed below except SO *Not Included). Optional 800L Standard Height top drawer minus -\$100.00 | \$2,880.00 | \$3,180.00 |
| PA-020402-101236-TC | Tourer Combo & Wing Kit - Low Platform to Passenger Side for Bushman 85L Upright Fridge (Gap size 510W). Triple Stacked Drawers Driver Side (Slimline Bottom Drawer I/D 930L x 420W x 59H Standard Height Middle Drawer I/D 930L x 420W x 190H, Trade Height Top Drawer I/D 730L x 420W x 270H). Total Combo O/A 1000L x 1020W x 731H. (Includes Cargo Shelf Double, Bushman 85L Upright Fridge, Drawer Lids for Slimline and Standard height drawers). | N/A | \$6,130.00 |
| RV-EAC-IFP-1000 | Easy Access Combo INFILL PANEL - covers fridge slide cavity to create a flat solid top effect (NOTE: top drawer must be removed on EAC-2 systems) | \$176.00 | N/A |
| RV-CS-0851-00 | Cargo Shelf single - 800L Ventilated side panel and solid top shelf to fit FS-1 (small fridge space) Suits EAC-1 1000L x 1020W | \$520.00 | N/A |
| RV-CS-0857-00 | Cargo Shelf single - 800L Ventilated side panel and solid top shelf to fit FS-1.5 & FS-2 (large fridge space) Suits EAC-1 1000L x 1020W | \$520.00 | N/A |
| RV-CS-0812-00 | Cargo Shelf double - 800L Ventilated side panel and solid top shelf system. Fits EAC-2 1000L x 1020W fitted with a Trade Height top drawer | \$567.00 | N/A |
| RV-IBFS-1000-DS | Inbuilt Fridge Slide - flush fitting 1000L (Driver Side) Premium drawers only | \$448.00 | \$448.00 |
| RV-IBFS-1000-PS | Inbuilt Fridge Slide - flush fitting 1000L (Passenger Side) Premium drawers only | \$448.00 | \$448.00 |
| PS/PA-RV-FS-1 | Heavy Duty Fridge Slide - 750L x 455W x 80H (external incl. Travel Lock) | \$472.00 | \$522.00 |
| PS-RV-FS-1-SO | Heavy Duty Fridge Slide - 450L x 770W x 110H (external incl. Travel Lock) | \$472.00 | N/A |
| PS/PA-RV-FS-1.5 | Heavy Duty Fridge Slide - 750L x 530W x 80H (external incl. Travel Lock) | \$520.00 | \$570.00 |
| PS/PA-RV-FS-2 | Heavy Duty Fridge Slide - 850L x 560W x 80H (external incl. Travel Lock) | \$567.00 | \$617.00 |
| PS-RV-FS-2-SO | Heavy Duty Fridge Slide - 550L x 870W x 110H (external incl. Travel Lock) | \$567.00 | N/A |
| PS/PA-RV-FS-2.25 | Heavy Duty Fridge Slide - 950L x 560W x 80H (external incl. Travel Lock) | \$590.00 | \$640.00 |
| RV-020402-HCB | Rear Cargo Barrier - Half height for fitment to RV drawer system, ADR Compliant | \$685.00 | N/A |
| RV-020402-TSC | Rear Top Shelf & Dividing Barrier Combination - For fitment to RV cargo barrier & drawer system **Standard Height Only | \$704.00 | N/A |
| RV-020402-FTF | Forward Twin Floor - Twin carpeted floor system for fitment to RV drawer system, ADR Compliant | \$886.00 | N/A |
| RV-020402-FCB | Forward Cargo Barrier - Half height for fitment to RV Forward Twin Floor, ADR Compliant | \$685.00 | N/A |

Travel Slide Drawers available on page 181
Inbuilt Fridge Slides N/A for Trade Height alloy drawers
Dividing Barrier N/A for trade height drawers

| VEHICLE MAKE MODEL | TOYOTA 200 Series Landcruiser 4 Door Wagon GXL, VX, Sahara (2012+) w/240V Outlet Pass Side - 1000x1020 TOYOTA | | |
|---|--|------------|------------|
| PA: Premium Alloy PS: Premium Steel EL: EcoLite | TRADE HEIGHT DRAWERS +\$100 PER DRAWER | | |
| | PREMLBK: PREMIUM BLACK RRP +180.00 (option) | | |
| | DESCRIPTION (PRICES INCLUDE WING KIT UNLESS OTHERWISE STATED) | PS RRP | PA RRP |
| PS/PA-020405-105127-SSL | Single Drawer & Wing Kit - Standard Height to Passenger Side 1000L x 510W x 275H | \$1,375.00 | \$1,525.00 |
| PS/PA-020405-105127-SSR | Single Drawer & Wing Kit - Standard Height to Driver Side 1000L x 510 x 275H | \$1,375.00 | \$1,525.00 |
| PS/PA-020405-105136-SHL | Single Drawer & Wing Kit - Trade Height Drawer to Passenger Side 1000L x 510 x 365H | \$1,475.00 | \$1,625.00 |
| PS/PA-020405-105136-SHR | Single Drawer & Wing Kit - Trade Height Drawer to Driver Side 1000L x 510 x 365H | \$1,475.00 | \$1,625.00 |
| EL-020405-101227-TDS | EcoLite Twin Drawer & Wing Kit - Standard Height 1000L x 1020W x 275H | \$1,960.00 | N/A |
| PS/PA-020405-101227-TDS | Twin Drawer & Wing Kit - Standard Height 1000L x 1020W x 275H | \$2,650.00 | \$2,950.00 |
| PS/PA-020405-101236-TDH | Twin Drawer & Wing Kit - Trade Height Drawers 1000L x 1020W x 365H | \$2,850.00 | \$3,150.00 |
| PS/PA-020405-101230-FDC-E/D | Fridge Drawer Combo with 30L Engel/Dometic Fitkit - 1000L x 1020W x 300H **Fridge not included Liftout Hatch provided to access space behind the fridge (100mm narrower if tie downs added to top) - 183L x 431W | \$2,635.00 | \$2,785.00 |
| PS/PA-020405-101236-FDC-EK | Fridge Drawer Combo with 40L EvaKool Fitkit - 1000L x 1020W x 365H **Fridge not included Liftout Hatch provided to access space behind the fridge (100mm narrower if tie downs added to top) - 183L x 560W | \$2,745.00 | \$2,895.00 |
| PS/PA-020405-101236-FDC-IM | Fridge Drawer Combo with 40L Ironman Fitkit - 1000L x 1020W x 365H **Fridge not included Liftout Hatch provided to access space behind the fridge (100mm narrower if tie downs added to top) - 183L x 510W | \$2,745.00 | \$2,895.00 |
| PS/PA-020405-101236-FDC-BM | Fridge Drawer Combo with 30L Bushman Fitkit - 1000L x 1020W x 365H **Fridge not included Liftout Hatch provided to access space behind the fridge (100mm narrower if tie downs added to top) - 183L x 431W | \$2,745.00 | \$2,895.00 |
| PA-020405-101230-FDS-E/D | Engel/Dometic Fridge Drawer Stacker with Engel/Dometic Fitkit - 1000L x 1020W x 300H **Fridge not included Liftout Hatch provided to access space behind the fridge (100mm narrower if tie downs added to top) - 183L x 431W | N/A | \$3,621.00 |
| PA-020405-101236-FDS-EK | Evakool Fridge Drawer Stacker with EvaKool Fitkit - 1000L x 1020W x 365H **Fridge not included Liftout Hatch provided to access space behind the fridge (100mm narrower if tie downs added to top) - 183L x 560W | N/A | \$3,731.00 |
| PA-020405-101236-FDS-BM | Bushman Fridge Drawer Stacker with Bushman Fitkit - 1000L x 1020W x 365H **Fridge not included Liftout Hatch provided to access space behind the fridge (100mm narrower if tie downs added to top) - 183L x 431W | N/A | \$3,731.00 |
| PS/PA-020405-101227-1SL | Easy Access Combo 1 & Wing Kit - Small Low Platform to Passenger Side (Gap size 510W). Single Drawer O/A 1000L x 510W x 275H. Total Combo O/A 1000L x 1020W x 275H. (Suits RV-FS-1 *Not Included) | \$2,190.00 | \$2,340.00 |
| PS/PA-020405-101227-1SR | Easy Access Combo 1 & Wing Kit - Small Low Platform to Driver Side (Gap size 510W). Single Drawer O/A 1000L x 510W x 275H. Total Combo O/A 1000L x 1020W x 275H. (Suits RV-FS-1 *Not Included) | \$2,190.00 | \$2,340.00 |
| PS/PA-020405-101227-1LL | Easy Access Combo 1 & Wing Kit - Large Low Platform to Passenger Side (Gap size 570W). Single Drawer O/A 1000L x 450W x 275H. Total Combo O/A 1000L x 1020W x 275H. (Suits all RV-FS listed below except SO *Not Included) | \$2,190.00 | \$2,340.00 |
| PS/PA-020405-101227-1LR | Easy Access Combo 1 & Wing Kit - Large Low Platform to Driver Side (Gap size 570W). Single Drawer O/A 1000L x 450W x 275H. Total Combo O/A 1000L x 1020W x 275H. (Suits all RV-FS listed below except SO *Not Included) | \$2,190.00 | \$2,340.00 |
| PS/PA-020405-101227-2SL | Easy Access Combo 2 & Wing Kit - Small Low Platform to Passenger Side (Gap size 510W). Double Stacked Drawers (Standard Height Bottom Drawer O/A 1000L x 510W x 275H, Trade Height Top Drawer O/A 800L x 510W x 365H). Total Combo O/A 1000L x 1020W x 640H. (Suits RV-FS-1 *Not Included). Optional 800L Standard Height top drawer minus -\$100.00 | \$2,880.00 | \$3,180.00 |
| PS/PA-020405-101227-2SR | Easy Access Combo 2 & Wing Kit - Small Low Platform to Driver Side (Gap size 510W). Double Stacked Drawers (Standard Height Bottom Drawer O/A 1000L x 510W x 275H, Trade Height Top Drawer O/A 800L x 510W x 365H). Total Combo O/A 1000L x 1020W x 640H. (Suits RV-FS-1 *Not Included). Optional 800L Standard Height top drawer minus -\$100.00 | \$2,880.00 | \$3,180.00 |
| PS/PA-020405-101227-2LL | Easy Access Combo 2 & Wing Kit - Large Low Platform to Passenger Side (Gap size 570W). Double Stacked Drawers (Standard Height Bottom Drawer O/A 1000L x 450W x 275H, Trade Height Top Drawer O/A 800L x 450W x 365H). Total Combo O/A 1000L x 1020W x 640H. (Suits all RV-FS listed below except SO *Not Included). Optional 800L Standard Height top drawer minus -\$100.00 | \$2,880.00 | \$3,180.00 |
| PS/PA-020405-101227-2LR | Easy Access Combo 2 & Wing Kit - Large Low Platform to Driver Side (Gap size 570W). Double Stacked Drawers (Standard Height Bottom Drawer O/A 1000L x 450W x 275H, Trade Height Top Drawer O/A 800L x 450W x 365H). Total Combo O/A 1000L x 1020W x 640H. (Suits all RV-FS listed below except SO *Not Included). Optional 800L Standard Height top drawer minus -\$100.00 | \$2,880.00 | \$3,180.00 |
| PA-020405-101236-TC | Tourer Combo & Wing Kit - Low Platform to Passenger Side for Bushman 85Lt Upright Fridge (Gap size 510W). Triple Stacked Drawers Driver Side (Slimline Bottom Drawer I/D 930L x 420W x 59H Standard Height Middle Drawer I/D 930L x 420W x 190H, Trade Height Top Drawer I/D 730L x 420W x 270H). Total Combo O/A 1000L x 1020W x 731H. (Includes Cargo Shelf Double, Bushman 85Lt Upright Fridge, Drawer Lids for Slimline and Standard height drawers). | N/A | \$6,130.00 |
| RV-EAC-IFP-1000 | Easy Access Combo INFILL PANEL - covers fridge slide cavity to create a flat solid top effect (NOTE: top drawer must be removed on EAC-2 systems) | \$176.00 | N/A |
| RV-CS-0851-00 | Cargo Shelf single - 800L Ventilated side panel and solid top shelf to fit FS-1 (small fridge space) Suits EAC-1 1000L x 1020W | \$520.00 | N/A |
| RV-CS-0857-00 | Cargo Shelf single - 800L Ventilated side panel and solid top shelf to fit FS-1.5 & FS-2 (large fridge space) Suits EAC-1 1000L x 1020W | \$520.00 | N/A |
| RV-CS-0812-00 | Cargo Shelf double - 800L Ventilated side panel and solid top shelf system. Fits EAC-2 1000L x 1020W fitted with a Trade Height top drawer | \$567.00 | N/A |
| RV-IBFS-1000-DS | Inbuilt Fridge Slide - flush fitting 1000L (Driver Side) Premium drawers only | \$448.00 | \$448.00 |
| RV-IBFS-1000-PS | Inbuilt Fridge Slide - flush fitting 1000L (Passenger Side) Premium drawers only | \$448.00 | \$448.00 |
| PS/PA-RV-FS-1 | Heavy Duty Fridge Slide - 750L x 455W x 80H (external incl. Travel Lock) | \$472.00 | \$522.00 |
| PS-RV-FS-1-SO | Heavy Duty Fridge Slide - 450L x 770W x 110H (external incl. Travel Lock) | \$472.00 | N/A |
| PS/PA-RV-FS-1.5 | Heavy Duty Fridge Slide - 750L x 530W x 80H (external incl. Travel Lock) | \$520.00 | \$570.00 |
| PS/PA-RV-FS-2 | Heavy Duty Fridge Slide - 850L x 560W x 80H (external incl. Travel Lock) | \$567.00 | \$617.00 |
| PS-RV-FS-2-SO | Heavy Duty Fridge Slide - 550L x 870W x 110H (external incl. Travel Lock) | \$567.00 | N/A |
| PS/PA-RV-FS-2.25 | Heavy Duty Fridge Slide - 950L x 560W x 80H (external incl. Travel Lock) | \$590.00 | \$640.00 |
| RV-020405-HCB | Rear Cargo Barrier - Half height for fitment to RV drawer system, ADR Compliant | \$685.00 | N/A |
| RV-020405-TSC | Rear Top Shelf & Dividing Barrier Combination - For fitment to RV cargo barrier & drawer system **Standard Height Only | \$704.00 | N/A |
| RV-020405-FTF | Forward Twin Floor - Twin carpeted floor system for fitment to RV drawer system, ADR Compliant | \$886.00 | N/A |
| RV-020405-FCB | Forward Cargo Barrier - Half height for fitment to RV Forward Twin Floor, ADR Compliant | \$685.00 | N/A |

Travel Slide Drawers available on page 181
 Inbuilt Fridge Slides N/A for Trade Height alloy drawers
 Dividing Barrier N/A for trade height drawers

| VEHICLE MAKE MODEL | TOYOTA 300 Series Landcruiser - 5 Seater GX, Sahara ZX, GR Sport (2021+) - 1000x1020 / 950x1020 TOYOTA | | |
|---|---|------------|------------|
| PA: Premium Alloy PS: Premium Steel EL: EcoLite | TRADE HEIGHT DRAWERS +\$100 PER DRAWER | | |
| | PREMLBK: PREMIUM BLACK RRP +180.00 (option) | | |
| | DESCRIPTION (PRICES INCLUDE WING KIT UNLESS OTHERWISE STATED) | PS RRP | PA RRP |
| EL-020801-101227-TDS | EcoLite Twin Drawer & Wing Kit - Standard Height 1000L x 1020W x 275H (Subframe included) | \$2,070.00 | N/A |
| PS/PA-020801-101227-TDS | Twin Drawer & Wing Kit - Standard Height 1000L x 1020W x 275H (Subframe included) | \$2,760.00 | \$3,060.00 |
| PS/PA-020801-951236-TDH | Twin Drawer & Wing Kit - Trade Height Drawers 950L x 1020W x 365H (Subframe included) | \$2,925.00 | \$3,225.00 |
| PS/PA-020801-101230-FDC-E/D | Fridge Drawer Combo with 30L Engel/Dometic Fitkit - 1000L x 1020W x 300H (Subframe included) *Fridge not included Liftout Hatch provided to access space behind the fridge (100mm narrower if tie downs added to top) - 183L x 431W | \$2,745.00 | \$2,895.00 |
| PS/PA-020801-951236-FDC-EK | Fridge Drawer Combo with 40L EvaKool Fitkit - 950L x 1020W x 365H (Subframe included) *Fridge not included Liftout Hatch provided to access space behind the fridge (100mm narrower if tie downs added to top) - 133L x 560W | \$2,855.00 | \$3,005.00 |
| PS/PA-020801-951236-FDC-IM | Fridge Drawer Combo with 40L Ironman Fitkit - 950L x 1020W x 365H (Subframe included) *Fridge not included Liftout Hatch provided to access space behind the fridge (100mm narrower if tie downs added to top) - 133L x 510W | \$2,855.00 | \$3,005.00 |
| PS/PA-020801-951236-FDC-BM | Fridge Drawer Combo with 30L Bushman Fitkit - 950L x 1020W x 365H (Subframe included) *Fridge not included Liftout Hatch provided to access space behind the fridge (100mm narrower if tie downs added to top) - 133L x 431W | \$2,855.00 | \$3,005.00 |
| PA-020801-101230-FDS-E/D | Engel/Dometic Fridge Drawer Stacker with Engel/Dometic Fitkit - 1000L x 1020W x 300H (Subframe included) *Fridge not included Liftout Hatch provided to access space behind the fridge (100mm narrower if tie downs added to top) - 183L x 431W | N/A | \$3,731.00 |
| PA-020801-951236-FDS-EK | EvaKool Fridge Drawer Stacker with EvaKool Fitkit - 950L x 1020W x 365H (Subframe included) *Fridge not included Liftout Hatch provided to access space behind the fridge (100mm narrower if tie downs added to top) - 133L x 560W | N/A | \$3,841.00 |
| PA-020801-951236-FDS-BM | Bushman Fridge Drawer Stacker with Bushman Fitkit - 950L x 1020W x 365H (Subframe included) *Fridge not included Liftout Hatch provided to access space behind the fridge (100mm narrower if tie downs added to top) - 133L x 431W | N/A | \$3,841.00 |
| PS/PA-020801-101227-1SL | Easy Access Combo 1 & Wing Kit - Small Low Platform to Passenger Side (Gap size 510W). Single Drawer O/A 1000L x 510W x 275H. Total Combo O/A 1000L x 1020W x 275H. (Subframe included) (Suits RV-FS-1 *Not Included) | \$2,300.00 | \$2,450.00 |
| PS/PA-020801-101227-1SR | Easy Access Combo 1 & Wing Kit - Small Low Platform to Driver Side (Gap size 510W). Single Drawer O/A 1000L x 510W x 275H. Total Combo O/A 1000L x 1020W x 275H. (Subframe included) (Suits RV-FS-1 *Not Included) | \$2,300.00 | \$2,450.00 |
| PS/PA-020801-101227-1LL | Easy Access Combo 1 & Wing Kit - Large Low Platform to Passenger Side (Gap size 570W). Single Drawer O/A 1000L x 450W x 275H. Total Combo O/A 1000L x 1020W x 275H. (Subframe included) (Suits all RV-FS listed below except SO *Not Included) | \$2,300.00 | \$2,450.00 |
| PS/PA-020801-101227-1LR | Easy Access Combo 1 & Wing Kit - Large Low Platform to Driver Side (Gap size 570W). Single Drawer O/A 1000L x 450W x 275H. Total Combo O/A 1000L x 1020W x 275H. (Subframe included) (Suits all RV-FS listed below except SO *Not Included) | \$2,300.00 | \$2,450.00 |
| PS/PA-020801-101227-2SL | Easy Access Combo 2 & Wing Kit - Small Low Platform to Passenger Side (Gap size 510W). Double Stacked Drawers (Standard Height Bottom Drawer O/A 1000L x 510W x 275H, Trade Height Top Drawer O/A 800L x 510W x 365H). Total Combo O/A 1000L x 1020W x 640H. (Subframe included) (Suits RV-FS-1 *Not Included). Optional 800L Standard Height top drawer minus -\$100.00 | \$2,990.00 | \$3,290.00 |
| PS/PA-020801-101227-2SR | Easy Access Combo 2 & Wing Kit - Small Low Platform to Driver Side (Gap size 510W). Double Stacked Drawers (Standard Height Bottom Drawer O/A 1000L x 510W x 275H, Trade Height Top Drawer O/A 800L x 510W x 365H). Total Combo O/A 1000L x 1020W x 640H. (Subframe included) (Suits RV-FS-1 *Not Included). Optional 800L Standard Height top drawer minus -\$100.00 | \$2,990.00 | \$3,290.00 |
| PS/PA-020801-101227-2LL | Easy Access Combo 2 & Wing Kit - Large Low Platform to Passenger Side (Gap size 570W). Double Stacked Drawers (Standard Height Bottom Drawer O/A 1000L x 450W x 275H, Trade Height Top Drawer O/A 800L x 450W x 365H). Total Combo O/A 1000L x 1020W x 640H. (Subframe included) (Suits all RV-FS listed below except SO *Not Included). Optional 800L Standard Height top drawer minus -\$100.00 | \$2,990.00 | \$3,290.00 |
| PS/PA-020801-101227-2LR | Easy Access Combo 2 & Wing Kit - Large Low Platform to Driver Side (Gap size 570W). Double Stacked Drawers (Standard Height Bottom Drawer O/A 1000L x 450W x 275H, Trade Height Top Drawer O/A 800L x 450W x 365H). Total Combo O/A 1000L x 1020W x 640H. (Subframe included) (Suits all RV-FS listed below except SO *Not Included). Optional 800L Standard Height top drawer minus -\$100.00 | \$2,990.00 | \$3,290.00 |
| PA-020801-951236-TC | Tourer Combo & Wing Kit - Low Platform to Passenger Side for Bushman 85L Upright Fridge (Gap size 510W). Triple Stacked Drawers Driver Side (Slimline Bottom Drawer I/D 880L x 420W x 59H Standard Height Middle Drawer I/D 880L x 420W x 190H, Trade Height Top Drawer I/D 730L x 420W x 270H). Total Combo O/A 950L x 1020W x 731H. (Includes Cargo Shelf Double, Bushman 85L Upright Fridge, Drawer Lids for Slimline and Standard height drawers). | N/A | \$6,130.00 |
| RV-EAC-IFP-1000 | Easy Access Combo INFILL PANEL - covers fridge slide cavity to create a flat solid top effect (NOTE: top drawer must be removed on EAC-2 systems) | \$176.00 | N/A |
| RV-CS-0851-00 | Cargo Shelf single - 800L Ventilated side panel and solid top shelf to fit FS-1 (small fridge space) Suits EAC-1 1000L x 1020W | \$520.00 | N/A |
| RV-CS-0857-00 | Cargo Shelf single - 800L Ventilated side panel and solid top shelf to fit FS-1.5 & FS-2 (large fridge space) Suits EAC-1 1000L x 1020W | \$520.00 | N/A |
| RV-CS-0812-00 | Cargo Shelf double - 800L Ventilated side panel and solid top shelf system. Fits EAC-2 1000L x 1020W fitted with a Trade Height top drawer | \$567.00 | N/A |
| RV-IBFS-1000-DS | Inbuilt Fridge Slide - flush fitting 1000L (Driver Side) Premium drawers only | \$448.00 | \$448.00 |
| RV-IBFS-1000-PS | Inbuilt Fridge Slide - flush fitting 1000L (Passenger Side) Premium drawers only | \$448.00 | \$448.00 |
| PS/PA-RV-FS-1 | Heavy Duty Fridge Slide - 750L x 455W x 80H (external incl. Travel Lock) | \$472.00 | \$522.00 |
| PS-RV-FS-1-SO | Heavy Duty Fridge Slide - 450L x 770W x 110H (external incl. Travel Lock) | \$472.00 | N/A |
| PS/PA-RV-FS-1.5 | Heavy Duty Fridge Slide - 750L x 530W x 80H (external incl. Travel Lock) | \$520.00 | \$570.00 |
| PS/PA-RV-FS-2 | Heavy Duty Fridge Slide - 850L x 560W x 80H (external incl. Travel Lock) | \$567.00 | \$617.00 |
| PS-RV-FS-2-SO | Heavy Duty Fridge Slide - 550L x 870W x 110H (external incl. Travel Lock) | \$567.00 | N/A |
| PS/PA-RV-FS-2.25 | Heavy Duty Fridge Slide - 950L x 560W x 80H (external incl. Travel Lock) **Not Available For Trade Height | \$590.00 | \$640.00 |
| RV-020801-HCB | Rear Cargo Barrier - Half height for fitment to RV drawer system, ADR Compliant | \$685.00 | N/A |
| RV-020801-TSC | Rear Top Shelf & Dividing Barrier Combination - For fitment to RV cargo barrier & drawer system **Standard Height Only | \$704.00 | N/A |
| RV-020801-FTF | Forward Twin Floor - Twin carpeted floor system for fitment to RV drawer system, ADR Compliant | \$886.00 | N/A |
| RV-020801-FCB | Forward Cargo Barrier - Half height for fitment to RV Forward Twin Floor, ADR Compliant | \$685.00 | N/A |
| RV-020801-RCF | Cargo Floor - Low profile floor on subframe including 1 liftout hatch | \$899.00 | |

Trade Height (365H) Drawers capped to length 950mm

A Double Slimline Battery Cradle only available if you opt for the 7-Seater subframe but it will raise the unit by 25mm - Called the High Five Kit

Travel Slide Drawers available on page 181

Inbuilt Fridge Slides N/A for Trade Height alloy drawers

Dividing Barrier N/A for trade height drawers

Single Drawers N/A for 5-Seater 300 Series

| PA: Premium Alloy PS: Premium Steel EL: EcoLite | TRADE HEIGHT DRAWERS +\$100 PER DRAWER | | |
|---|---|------------|------------|
| | PREMLBK: PREMIUM BLACK RRP +180.00 (option) | | |
| | DESCRIPTION (PRICES INCLUDE WING KIT UNLESS OTHERWISE STATED) | PS RRP | PA RRP |
| PS/PA-020802-105127-SSL | Single Drawer & Wing Kit - Standard Height to Passenger Side 1000L x 510W x 275H (Subframe included) | \$1,485.00 | \$1,635.00 |
| PS/PA-020802-105127-SSR | Single Drawer & Wing Kit - Standard Height to Driver Side 1000L x 510 x 275H (Subframe included) | \$1,485.00 | \$1,635.00 |
| PS/PA-020802-955136-SHL | Single Drawer & Wing Kit - Trade Height Drawer to Passenger Side 950L x 510 x 365H (Subframe included) | \$1,595.00 | \$1,745.00 |
| PS/PA-020802-955136-SHR | Single Drawer & Wing Kit - Trade Height Drawer to Driver Side 950L x 510 x 365H (Subframe included) | \$1,595.00 | \$1,745.00 |
| EL-020802-101227-TDS | EcoLite Twin Drawer & Wing Kit - Standard Height 1000L x 1020W x 275H (Subframe included) | \$2,070.00 | N/A |
| PS/PA-020802-101227-TDS | Twin Drawer & Wing Kit - Standard Height 1000L x 1020W x 275H (Subframe included) | \$2,760.00 | \$3,060.00 |
| PS/PA-020802-951236-TDH | Twin Drawer & Wing Kit - Trade Height Drawers 950L x 1020W x 365H (Subframe included) | \$2,925.00 | \$3,225.00 |
| PS/PA-020802-101230-FDC-E/D | Fridge Drawer Combo with 30L Engel/Dometic Fitkit - 1000L x 1020W x 300H (Subframe included) *Fridge not included Liftout Hatch provided to access space behind the fridge (100mm narrower if tie downs added to top) - 183L x 431W | \$2,745.00 | \$2,895.00 |
| PS/PA-020802-951236-FDC-EK | Fridge Drawer Combo with 40L EvaKool Fitkit - 950L x 1020W x 365H (Subframe included) *Fridge not included Liftout Hatch provided to access space behind the fridge (100mm narrower if tie downs added to top) - 133L x 560W | \$2,855.00 | \$3,005.00 |
| PS/PA-020802-951236-FDC-IM | Fridge Drawer Combo with 40L Ironman Fitkit - 950L x 1020W x 365H (Subframe included) *Fridge not included Liftout Hatch provided to access space behind the fridge (100mm narrower if tie downs added to top) - 133L x 510W | \$2,855.00 | \$3,005.00 |
| PS/PA-020802-951236-FDC-BM | Fridge Drawer Combo with 30L Bushman Fitkit - 950L x 1020W x 365H (Subframe included) *Fridge not included Liftout Hatch provided to access space behind the fridge (100mm narrower if tie downs added to top) - 133L x 431W | \$2,855.00 | \$3,005.00 |
| PA-020802-101230-FDS-E/D | Engel/Dometic Fridge Drawer Stacker with Engel/Dometic Fitkit - 1000L x 1020W x 300H (Subframe included) *Fridge not included Liftout Hatch provided to access space behind the fridge (100mm narrower if tie downs added to top) - 183L x 431W | N/A | \$3,731.00 |
| PA-020802-951236-FDS-EK | Evakool Fridge Drawer Stacker with EvaKool Fitkit - 950L x 1020W x 365H (Subframe included) *Fridge not included Liftout Hatch provided to access space behind the fridge (100mm narrower if tie downs added to top) - 133L x 560W | N/A | \$3,841.00 |
| PA-020802-951236-FDS-BM | Bushman Fridge Drawer Stacker with Bushman Fitkit - 950L x 1020W x 365H (Subframe included) *Fridge not included Liftout Hatch provided to access space behind the fridge (100mm narrower if tie downs added to top) - 133L x 431W | N/A | \$3,841.00 |
| PS/PA-020802-101227-1SL | Easy Access Combo 1 & Wing Kit - Small Low Platform to Passenger Side (Gap size 510W). Single Drawer O/A 1000L x 510W x 275H. Total Combo O/A 1000L x 1020W x 275H. (Subframe included) (Suits RV-FS-1 *Not Included) | \$2,300.00 | \$2,450.00 |
| PS/PA-020802-101227-1SR | Easy Access Combo 1 & Wing Kit - Small Low Platform to Driver Side (Gap size 510W). Single Drawer O/A 1000L x 510W x 275H. Total Combo O/A 1000L x 1020W x 275H. (Subframe included) (Suits RV-FS-1 *Not Included) | \$2,300.00 | \$2,450.00 |
| PS/PA-020802-101227-1LL | Easy Access Combo 1 & Wing Kit - Large Low Platform to Passenger Side (Gap size 570W). Single Drawer O/A 1000L x 450W x 275H. Total Combo O/A 1000L x 1020W x 275H. (Subframe included) (Suits all RV-FS listed below except SO *Not Included) | \$2,300.00 | \$2,450.00 |
| PS/PA-020802-101227-1LR | Easy Access Combo 1 & Wing Kit - Large Low Platform to Driver Side (Gap size 570W). Single Drawer O/A 1000L x 450W x 275H. Total Combo O/A 1000L x 1020W x 275H. (Subframe included) (Suits all RV-FS listed below except SO *Not Included) | \$2,300.00 | \$2,450.00 |
| PS/PA-020802-101227-2SL | Easy Access Combo 2 & Wing Kit - Small Low Platform to Passenger Side (Gap size 510W). Double Stacked Drawers (Standard Height Bottom Drawer O/A 1000L x 510W x 275H, Trade Height Top Drawer O/A 800L x 510W x 365H). Total Combo O/A 1000L x 1020W x 640H. (Subframe included) (Suits RV-FS-1 *Not Included). Optional 800L Standard Height top drawer minus -\$100.00 | \$2,990.00 | \$3,290.00 |
| PS/PA-020802-101227-2SR | Easy Access Combo 2 & Wing Kit - Small Low Platform to Driver Side (Gap size 510W). Double Stacked Drawers (Standard Height Bottom Drawer O/A 1000L x 510W x 275H, Trade Height Top Drawer O/A 800L x 510W x 365H). Total Combo O/A 1000L x 1020W x 640H. (Subframe included) (Suits RV-FS-1 *Not Included). Optional 800L Standard Height top drawer minus -\$100.00 | \$2,990.00 | \$3,290.00 |
| PS/PA-020802-101227-2LL | Easy Access Combo 2 & Wing Kit - Large Low Platform to Passenger Side (Gap size 570W). Double Stacked Drawers (Standard Height Bottom Drawer O/A 1000L x 450W x 275H, Trade Height Top Drawer O/A 800L x 450W x 365H). Total Combo O/A 1000L x 1020W x 640H. (Subframe included) (Suits all RV-FS listed below except SO *Not Included). Optional 800L Standard Height top drawer minus -\$100.00 | \$2,990.00 | \$3,290.00 |
| PS/PA-020802-101227-2LR | Easy Access Combo 2 & Wing Kit - Large Low Platform to Driver Side (Gap size 570W). Double Stacked Drawers (Standard Height Bottom Drawer O/A 1000L x 450W x 275H, Trade Height Top Drawer O/A 800L x 450W x 365H). Total Combo O/A 1000L x 1020W x 640H. (Subframe included) (Suits all RV-FS listed below except SO *Not Included). Optional 800L Standard Height top drawer minus -\$100.00 | \$2,990.00 | \$3,290.00 |
| PA-020802-951236-TC | Tourer Combo & Wing Kit - Low Platform to Passenger Side for Bushman 85L Upright Fridge (Gap size 510W). Triple Stacked Drawers Driver Side (Slimline Bottom Drawer I/D 880L x 420W x 59H Standard Height Middle Drawer I/D 880L x 420W x 190H, Trade Height Top Drawer I/D 730L x 420W x 270H). Total Combo O/A 950L x 1020W x 731H. (Includes Cargo Shelf Double, Bushman 85L Upright Fridge, Drawer Lids for Slimline and Standard height drawers). | N/A | \$6,130.00 |
| RV-EAC-IFP-1000 | Easy Access Combo INFILL PANEL - covers fridge slide cavity to create a flat solid top effect (NOTE: top drawer must be removed on EAC-2 systems) | \$176.00 | N/A |
| RV-CS-0851-00 | Cargo Shelf single - 800L Ventilated side panel and solid top shelf to fit FS-1 (small fridge space) Suits EAC-1 1000L x 1020W | \$520.00 | N/A |
| RV-CS-0857-00 | Cargo Shelf single - 800L Ventilated side panel and solid top shelf to fit FS-1.5 & FS-2 (large fridge space) Suits EAC-1 1000L x 1020W | \$520.00 | N/A |
| RV-CS-0812-00 | Cargo Shelf double - 800L Ventilated side panel and solid top shelf system. Fits EAC-2 1000L x 1020W fitted with a Trade Height top drawer | \$567.00 | N/A |
| RV-IBFS-1000-DS | Inbuilt Fridge Slide - flush fitting 1000L (Driver Side) Premium drawers only | \$448.00 | \$448.00 |
| RV-IBFS-1000-PS | Inbuilt Fridge Slide - flush fitting 1000L (Passenger Side) Premium drawers only | \$448.00 | \$448.00 |
| PS/PA-RV-FS-1 | Heavy Duty Fridge Slide - 750L x 455W x 80H (external incl. Travel Lock) | \$472.00 | \$522.00 |
| PS-RV-FS-1-SO | Heavy Duty Fridge Slide - 450L x 770W x 110H (external incl. Travel Lock) | \$472.00 | N/A |
| PS/PA-RV-FS-1.5 | Heavy Duty Fridge Slide - 750L x 530W x 80H (external incl. Travel Lock) | \$520.00 | \$570.00 |
| PS/PA-RV-FS-2 | Heavy Duty Fridge Slide - 850L x 560W x 80H (external incl. Travel Lock) | \$567.00 | \$617.00 |
| PS-RV-FS-2-SO | Heavy Duty Fridge Slide - 550L x 870W x 110H (external incl. Travel Lock) | \$567.00 | N/A |
| PS/PA-RV-FS-2.25 | Heavy Duty Fridge Slide - 950L x 560W x 80H (external incl. Travel Lock) **Not Available For Trade Height | \$590.00 | \$640.00 |
| RV-020802-HCB | Rear Cargo Barrier - Half height for fitment to RV drawer system, ADR Compliant | \$685.00 | N/A |
| RV-020802-TSC | Rear Top Shelf & Dividing Barrier Combination - For fitment to RV cargo barrier & drawer system **Standard Height Only | \$704.00 | N/A |
| RV-020802-FTF | Forward Twin Floor - Twin carpeted floor system for fitment to RV drawer system, ADR Compliant | \$886.00 | N/A |
| RV-020802-FCB | Forward Cargo Barrier - Half height for fitment to RV Forward Twin Floor, ADR Compliant | \$685.00 | N/A |
| RV-020802-RCF | Cargo Floor - Low profile floor on subframe including 1 liftout hatch | \$899.00 | |

Can opt for a double Slimline Battery Cradle
Travel Slide Drawers available on page 181
Inbuilt Fridge Slides N/A for Trade Height alloy drawers
Dividing Barrier N/A for trade height drawers

| VEHICLE MAKE MODEL | TOYOTA 95 Series Landcruiser Prado GX, GXL (July 1996-July 2003) - 900x970 / 850x970 TOYOTA | | |
|---|---|------------|------------|
| PA: Premium Alloy PS: Premium Steel EL: EcoLite | TRADE HEIGHT DRAWERS +\$100 PER DRAWER | | |
| | PREMLBK: PREMIUM BLACK RRP +180.00 (option) | | |
| | DESCRIPTION (PRICES INCLUDE WING KIT UNLESS OTHERWISE STATED) | PS RRP | PA RRP |
| PS/PA-020501-094827-SSL | Single Drawer & Wing Kit - Standard Height to Passenger Side 900L x 485W x 275H | \$1,350.00 | \$1,500.00 |
| PS/PA-020501-094827-SSR | Single Drawer & Wing Kit - Standard Height to Driver Side 900L x 485W x 275H | \$1,350.00 | \$1,500.00 |
| EL-020501-099727-TDS | EcoLite Twin Drawer & Wing Kit - Standard Height 900L x 970W x 275H | \$1,900.00 | N/A |
| PS/PA-020501-099727-TDS | Twin Drawer & Wing Kit - Standard Height 900L x 970W x 275H | \$2,595.00 | \$2,895.00 |
| PS/PA-020501-859736-TDH | Twin Drawer & Wing Kit - Trade Height 850L x 970W x 365H | \$2,760.00 | \$3,060.00 |
| PS/PA-020501-099730-FDC-E/D | Fridge Drawer Combo with 30L Engel/Dometic Fitkit - 900L x 970W x 300H **Fridge not included Liftout Hatch provided to access space behind the fridge (100mm narrower if tie downs added to top) - 133L x 431W | \$2,625.00 | \$2,775.00 |
| PS/PA-020501-859736-FDC-EK | Fridge Drawer Combo with 40L EvaKool Fitkit - 850L x 970W x 365H **Fridge not included NO LIFTOUT HATCH | \$2,635.00 | \$2,785.00 |
| PS/PA-020501-859736-FDC-IM | Fridge Drawer Combo with 40L Ironman Fitkit - 850L x 970W x 365H **Fridge not included NO LIFTOUT HATCH | \$2,635.00 | \$2,785.00 |
| PS/PA-020501-859736-FDC-BM | Fridge Drawer Combo with 30L Bushman Fitkit - 850L x 970W x 365H **Fridge not included NO LIFTOUT HATCH | \$2,635.00 | \$2,785.00 |
| PA-020501-099730-FDS-E/D | Engel/Dometic Fridge Drawer Stacker with Engel/Dometic Fitkit - 900L x 970W x 300H **Fridge not included Liftout Hatch provided to access space behind the fridge (100mm narrower if tie downs added to top) - 133L x 431W | N/A | \$3,611.00 |
| PA-020501-859736-FDS-EK | Evakool Fridge Drawer Stacker with EvaKool Fitkit - 850L x 970W x 365H **Fridge not included NO LIFTOUT HATCH | N/A | \$3,621.00 |
| PA-020501-859736-FDS-BM | Bushman Fridge Drawer Stacker with Bushman Fitkit - 850L x 970W x 365H **Fridge not included NO LIFTOUT HATCH | N/A | \$3,621.00 |
| PS/PA-020501-099727-1SL | Easy Access Combo 1 & Wing Kit - Small Low Platform to Passenger Side (Gap size 485W). Single Drawer O/A 900L x 485W x 275H. Total Combo O/A 900L x 970W x 275H. (Suits RV-FS-1 *Not Included) (Suits Cargo Shelf Single 485W *Not Included) | \$2,135.00 | \$2,285.00 |
| PS/PA-020501-099727-1SR | Easy Access Combo 1 & Wing Kit - Small Low Platform to Driver Side (Gap size 485W). Single Drawer O/A 900L x 485W x 275H. Total Combo O/A 900L x 970W x 275H. (Suits RV-FS-1 *Not Included) (Suits Cargo Shelf Single 485W *Not Included) | \$2,135.00 | \$2,285.00 |
| PS/PA-020501-099727-1LL | Easy Access Combo 1 & Wing Kit - Large Low Platform to Passenger Side (Gap size 570W). Single Drawer O/A 900L x 400W x 275H. Total Combo O/A 900L x 970W x 275H. (Suits all RV-FS listed below except SO *Not Included) (Suits Cargo Shelf Single 570W *Not Included) | \$2,135.00 | \$2,285.00 |
| PS/PA-020501-099727-1LR | Easy Access Combo 1 & Wing Kit - Large Low Platform to Driver Side (Gap size 570W). Single Drawer O/A 900L x 400W x 275H. Total Combo O/A 900L x 970W x 275H. (Suits all RV-FS listed below except SO *Not Included) (Suits Cargo Shelf Single 570W *Not Included) | \$2,135.00 | \$2,285.00 |
| PS/PA-020501-099727-2SL | Easy Access Combo 2 & Wing Kit - Small Low Platform to Passenger Side (Gap size 485W). Double Stacked Drawers (Standard Height Bottom Drawer O/A 900L x 485W x 275H, Trade Height Top Drawer O/A 700L x 485W x 365H). Total Combo O/A 900L x 970W x 640H. (Suits RV-FS-1 *Not Included) (Suits Cargo Shelf Double 970W *Not Included). Optional 700L Standard Height top drawer minus -\$100.00, but cannot have Double Cargo Shelf. | \$2,825.00 | \$3,125.00 |
| PS/PA-020501-099727-2SR | Easy Access Combo 2 & Wing Kit - Small Low Platform to Driver Side (Gap size 485W). Double Stacked Drawers (Standard Height Bottom Drawer O/A 900L x 485W x 275H, Trade Height Top Drawer O/A 700L x 485W x 365H). Total Combo O/A 900L x 970W x 640H. (Suits RV-FS-1 *Not Included) (Suits Cargo Shelf Double 970W *Not Included). Optional 700L Standard Height top drawer minus -\$100.00, but cannot have Double Cargo Shelf. | \$2,825.00 | \$3,125.00 |
| PS/PA-020501-099727-2LL | Easy Access Combo 2 & Wing Kit - Large Low Platform to Passenger Side (Gap size 570W). Double Stacked Drawers (Standard Height Bottom Drawer O/A 900L x 400W x 275H, Trade Height Top Drawer O/A 700L x 400W x 365H). Total Combo O/A 900L x 970W x 640H. (Suits all RV-FS listed below except SO *Not Included) (Suits Cargo Shelf Double 970W *Not Included). Optional 700L Standard Height top drawer minus -\$100.00, but cannot have Double Cargo Shelf. | \$2,825.00 | \$3,125.00 |
| PS/PA-020501-099727-2LR | Easy Access Combo 2 & Wing Kit - Large Low Platform to Driver Side (Gap size 570W). Double Stacked Drawers (Standard Height Bottom Drawer O/A 900L x 400W x 275H, Trade Height Top Drawer O/A 700L x 400W x 365H). Total Combo O/A 900L x 970W x 640H. (Suits all RV-FS listed below except SO *Not Included) (Suits Cargo Shelf Double 970W *Not Included). Optional 700L Standard Height top drawer minus -\$100.00, but cannot have Double Cargo Shelf. | \$2,825.00 | \$3,125.00 |
| PA-020501-859736-TC | Tourer Combo & Wing Kit - Low Platform to Passenger Side for Bushman 85L Upright Fridge (Gap size 510W). Triple Stacked Drawers Driver Side (Slimline Bottom Drawer I/D 780L x 395W x 59H Standard Height Middle Drawer I/D 780L x 395W x 190H, Trade Height Top Drawer I/D 630L x 395W x 270H). Total Combo O/A 850L x 970W x 731H. (Includes Cargo Shelf Double, Bushman 85L Upright Fridge, Drawer Lids for Slimline and Standard height drawers). | N/A | \$6,130.00 |
| RV-EAC-IFP-900 | Easy Access Combo INFILL PANEL - covers fridge slide cavity to create a flat solid top effect (NOTE: top drawer must be removed on EAC-2 systems) | \$164.00 | N/A |
| RV-CS-0748-00 | Cargo Shelf single - 700L Ventilated side panel and solid top shelf to fit FS-1 (small fridge space). Fits EAC-1 900L x 970W | \$520.00 | N/A |
| RV-CS-0757-00 | Cargo Shelf single - 700L Ventilated side panel and solid top shelf to fit FS-1.5 & 2 (large fridge space). Fits EAC-1 900L x 970W | \$520.00 | N/A |
| RV-CS-0797-00 | Cargo Shelf double - 700L Ventilated side panel and solid top shelf system to suit EAC-2 900L x 970W fitted with a Trade Height top drawer | \$567.00 | N/A |
| PS/PA-RV-FS-1 | Heavy Duty Fridge Slide - 750L x 455W x 80H (external incl. Travel Lock) | \$472.00 | \$522.00 |
| PS-RV-FS-1-SO | Heavy Duty Fridge Slide - 450L x 770W x 110H (external incl. Travel Lock) | \$472.00 | N/A |
| PS/PA-RV-FS-1.5 | Heavy Duty Fridge Slide - 750L x 530W x 80H (external incl. Travel Lock) | \$520.00 | \$570.00 |
| PS/PA-RV-FS-2 | Heavy Duty Fridge Slide - 850L x 560W x 80H (external incl. Travel Lock) **Not Available For Trade Height | \$567.00 | \$617.00 |
| PS-RV-FS-2-SO | Heavy Duty Fridge Slide - 550L x 870W x 110H (external incl. Travel Lock) | \$567.00 | N/A |
| RV-020501-HCB | Rear Cargo Barrier - Half height for fitment to RV drawer system, ADR Compliant | \$685.00 | N/A |
| RV-020501-TSC | Rear Top Shelf & Dividing Barrier Combination - For fitment to RV cargo barrier & drawer system **Standard Height Only | \$704.00 | N/A |
| <p>No Inbuilt Fridge slide available. Fascias on Passenger and Driver side are too narrow to accommodate the latch. Rear Cargo Barrier only available for standard height Travel Slide Drawer Not Available for Trade Height EAC1 Travel Slide Drawers available on page 181 Dividing Barrier N/A for trade height drawers</p> | | | |

| VEHICLE MAKE MODEL | | TOYOTA 95 Series Landcruiser Prado Grande, TX (July 1996-July 2003) - 900x970 / 850x970 | | TOYOTA | |
|---|---|---|------------|--------|--|
| PA: Premium Alloy PS: Premium Steel EL: EcoLite | TRADE HEIGHT DRAWERS +\$100 PER DRAWER | | | | |
| | PREMBLK: PREMIUM BLACK RRP +180.00 (option) | | | | |
| | DESCRIPTION (PRICES INCLUDE WING KIT UNLESS OTHERWISE STATED) | PS RRP | PA RRP | | |
| PS/PA-020502-094827-SSL | Single Drawer & Wing Kit - Standard Height to Passenger Side 900L x 485W x 275H | \$1,350.00 | \$1,500.00 | | |
| PS/PA-020502-094827-SSR | Single Drawer & Wing Kit - Standard Height to Driver Side 900L x 485W x 275H | \$1,350.00 | \$1,500.00 | | |
| EL-020502-099727-TDS | EcoLite Twin Drawer & Wing Kit - Standard Height 900L x 970W x 275H | \$1,900.00 | N/A | | |
| PS/PA-020502-099727-TDS | Twin Drawer & Wing Kit - Standard Height 900L x 970W x 275H | \$2,595.00 | \$2,895.00 | | |
| PS/PA-020502-859736-TDH | Twin Drawer & Wing Kit - Trade Height 850L x 970W x 365H | \$2,760.00 | \$3,060.00 | | |
| PS/PA-020502-099730-FDC-E/D | Fridge Drawer Combo with 30L Engel/Dometic Fitkit - 900L x 970W x 300H **Fridge not included Liftout Hatch provided to access space behind the fridge (100mm narrower if tie downs added to top) - 133L x 431W | \$2,625.00 | \$2,775.00 | | |
| PS/PA-020502-859736-FDC-EK | Fridge Drawer Combo with 40L EvaKool Fitkit - 850L x 970W x 365H **Fridge not included NO LIFTOUT HATCH | \$2,635.00 | \$2,785.00 | | |
| PS/PA-020502-859736-FDC-IM | Fridge Drawer Combo with 40L Ironman Fitkit - 850L x 970W x 365H **Fridge not included NO LIFTOUT HATCH | \$2,635.00 | \$2,785.00 | | |
| PS/PA-020502-859736-FDC-BM | Fridge Drawer Combo with 30L Bushman Fitkit - 850L x 970W x 365H **Fridge not included NO LIFTOUT HATCH | \$2,635.00 | \$2,785.00 | | |
| PA-020502-099730-FDS-E/D | Engel/Dometic Fridge Drawer Stacker with Engel/Dometic Fitkit - 900L x 970W x 300H **Fridge not included Liftout Hatch provided to access space behind the fridge (100mm narrower if tie downs added to top) - 133L x 431W | N/A | \$3,611.00 | | |
| PA-020502-859736-FDS-EK | Evakool Fridge Drawer Stacker with EvaKool Fitkit - 850L x 970W x 365H **Fridge not included NO LIFTOUT HATCH | N/A | \$3,621.00 | | |
| PA-020502-859736-FDS-BM | Bushman Fridge Drawer Stacker with Bushman Fitkit - 850L x 970W x 365H **Fridge not included NO LIFTOUT HATCH | N/A | \$3,621.00 | | |
| PS/PA-020502-099727-1SL | Easy Access Combo 1 & Wing Kit - Small Low Platform to Passenger Side (Gap size 485W). Single Drawer O/A 900L x 485W x 275H. Total Combo O/A 900L x 970W x 275H. (Suits RV-FS-1 *Not Included) (Suits Cargo Shelf Single 485W *Not Included) | \$2,135.00 | \$2,285.00 | | |
| PS/PA-020502-099727-1SR | Easy Access Combo 1 & Wing Kit - Small Low Platform to Driver Side (Gap size 485W). Single Drawer O/A 900L x 485W x 275H. Total Combo O/A 900L x 970W x 275H. (Suits RV-FS-1 *Not Included) (Suits Cargo Shelf Single 485W *Not Included) | \$2,135.00 | \$2,285.00 | | |
| PS/PA-020502-099727-1LL | Easy Access Combo 1 & Wing Kit - Large Low Platform to Passenger Side (Gap size 570W). Single Drawer O/A 900L x 400W x 275H. Total Combo O/A 900L x 970W x 275H. (Suits all RV-FS listed below except SO *Not Included) (Suits Cargo Shelf Single 570W *Not Included) | \$2,135.00 | \$2,285.00 | | |
| PS/PA-020502-099727-1LR | Easy Access Combo 1 & Wing Kit - Large Low Platform to Driver Side (Gap size 570W). Single Drawer O/A 900L x 400W x 275H. Total Combo O/A 900L x 970W x 275H. (Suits all RV-FS listed below except SO *Not Included) (Suits Cargo Shelf Single 570W *Not Included) | \$2,135.00 | \$2,285.00 | | |
| PS/PA-020502-099727-2SL | Easy Access Combo 2 & Wing Kit - Small Low Platform to Passenger Side (Gap size 485W). Double Stacked Drawers (Standard Height Bottom Drawer O/A 900L x 485W x 275H, Trade Height Top Drawer O/A 700L x 485W x 365H). Total Combo O/A 900L x 970W x 640H. (Suits RV-FS-1 *Not Included) (Suits Cargo Shelf Double 970W *Not Included). Optional 700L Standard Height top drawer minus -\$100.00, but cannot have Double Cargo Shelf. | \$2,825.00 | \$3,125.00 | | |
| PS/PA-020502-099727-2SR | Easy Access Combo 2 & Wing Kit - Small Low Platform to Driver Side (Gap size 485W). Double Stacked Drawers (Standard Height Bottom Drawer O/A 900L x 485W x 275H, Trade Height Top Drawer O/A 700L x 485W x 365H). Total Combo O/A 900L x 970W x 640H. (Suits RV-FS-1 *Not Included) (Suits Cargo Shelf Double 970W *Not Included). Optional 700L Standard Height top drawer minus -\$100.00, but cannot have Double Cargo Shelf. | \$2,825.00 | \$3,125.00 | | |
| PS/PA-020502-099727-2LL | Easy Access Combo 2 & Wing Kit - Large Low Platform to Passenger Side (Gap size 570W). Double Stacked Drawers (Standard Height Bottom Drawer O/A 900L x 400W x 275H, Trade Height Top Drawer O/A 700L x 400W x 365H). Total Combo O/A 900L x 970W x 640H. (Suits all RV-FS listed below except SO *Not Included) (Suits Cargo Shelf Double 970W *Not Included). Optional 700L Standard Height top drawer minus -\$100.00, but cannot have Double Cargo Shelf. | \$2,825.00 | \$3,125.00 | | |
| PS/PA-020502-099727-2LR | Easy Access Combo 2 & Wing Kit - Large Low Platform to Driver Side (Gap size 570W). Double Stacked Drawers (Standard Height Bottom Drawer O/A 900L x 400W x 275H, Trade Height Top Drawer O/A 700L x 400W x 365H). Total Combo O/A 900L x 970W x 640H. (Suits all RV-FS listed below except SO *Not Included) (Suits Cargo Shelf Double 970W *Not Included). Optional 700L Standard Height top drawer minus -\$100.00, but cannot have Double Cargo Shelf. | \$2,825.00 | \$3,125.00 | | |
| PA-020502-859736-TC | Tourer Combo & Wing Kit - Low Platform to Passenger Side for Bushman 85L Upright Fridge (Gap size 510W). Triple Stacked Drawers Driver Side (Slimline Bottom Drawer I/D 780L x 395W x 59H Standard Height Middle Drawer I/D 780L x 395W x 190H, Trade Height Top Drawer I/D 630L x 395W x 270H). Total Combo O/A 850L x 970W x 731H. (Includes Cargo Shelf Double, Bushman 85L Upright Fridge, Drawer Lids for Slimline and Standard height drawers). | N/A | \$6,130.00 | | |
| RV-EAC-IFP-900 | Easy Access Combo INFILL PANEL - covers fridge slide cavity to create a flat solid top effect (NOTE: top drawer must be removed on EAC-2 systems) | \$164.00 | N/A | | |
| RV-CS-0748-00 | Cargo Shelf single - 700L Ventilated side panel and solid top shelf to fit FS-1 (small fridge space). Fits EAC-1 900L x 970W | \$520.00 | N/A | | |
| RV-CS-0757-00 | Cargo Shelf single - 700L Ventilated side panel and solid top shelf to fit FS-1.5 & 2 (large fridge space). Fits EAC-1 900L x 970W | \$520.00 | N/A | | |
| RV-CS-0797-00 | Cargo Shelf double - 700L Ventilated side panel and solid top shelf system to suit EAC-2 900L x 970W fitted with a Trade Height top drawer | \$567.00 | N/A | | |
| PS/PA-RV-FS-1 | Heavy Duty Fridge Slide - 750L x 455W x 80H (external incl. Travel Lock) | \$472.00 | \$522.00 | | |
| PS-RV-FS-1-SO | Heavy Duty Fridge Slide - 450L x 770W x 110H (external incl. Travel Lock) | \$472.00 | N/A | | |
| PS/PA-RV-FS-1.5 | Heavy Duty Fridge Slide - 750L x 530W x 80H (external incl. Travel Lock) | \$520.00 | \$570.00 | | |
| PS/PA-RV-FS-2 | Heavy Duty Fridge Slide - 850L x 560W x 80H (external incl. Travel Lock) **Not Available For Trade Height | \$567.00 | \$617.00 | | |
| PS-RV-FS-2-SO | Heavy Duty Fridge Slide - 550L x 870W x 110H (external incl. Travel Lock) | \$567.00 | N/A | | |
| RV-020502-HCB | Rear Cargo Barrier - Half height for fitment to RV drawer system, ADR Compliant | \$685.00 | N/A | | |
| RV-020502-TSC | Rear Top Shelf & Dividing Barrier Combination - For fitment to RV cargo barrier & drawer system **Standard Height Only | \$704.00 | N/A | | |

No Inbuilt Fridge slide available. Fascias on Passenger and Driver side are too narrow to accommodate the latch.

Rear Cargo Barrier only available for Standard Height

Travel Slide Drawer Not Available for Trade Height EAC1

Travel Slide Drawers available on page 181

Dividing Barrier N/A for trade height drawers

| VEHICLE MAKE MODEL | | TOYOTA 120 Series Landcruiser Prado GX (March 2003-October 2009) - 900x970 / 850x970 | | |
|---|---|--|------------|------------|
| PA: Premium Alloy PS: Premium Steel EL: EcoLite | | TRADE HEIGHT DRAWERS +\$100 PER DRAWER | | |
| | | PREMLBK: PREMIUM BLACK RRP +180.00 (option) | | |
| | | DESCRIPTION (PRICES INCLUDE WING KIT UNLESS OTHERWISE STATED) | PS RRP | PA RRP |
| PS/PA-020601-094827-SSL | Single Drawer & Wing Kit - Standard Height to Passenger Side 900L x 485W x 275H | | \$1,350.00 | \$1,500.00 |
| PS/PA-020601-094827-SSR | Single Drawer & Wing Kit - Standard Height to Driver Side 900L x 485W x 275H | | \$1,350.00 | \$1,500.00 |
| EL-020601-099727-TDS | EcoLite Twin Drawer & Wing Kit - Standard Height 900L x 970W x 275H | | \$1,900.00 | N/A |
| PS/PA-020601-099727-TDS | Twin Drawer & Wing Kit - Standard Height 900L x 970W x 275H | | \$2,595.00 | \$2,895.00 |
| PS/PA-020601-859736-TDH | Twin Drawer & Wing Kit - Trade Height 850L x 970W x 365H | | \$2,760.00 | \$3,060.00 |
| PS/PA-020601-099730-FDC-E/D | Fridge Drawer Combo with 30L Engel/Dometic Fitkit - 900L x 970W x 300H **Fridge not included Liftout Hatch provided to access space behind the fridge (100mm narrower if tie downs added to top) - 133L x 431W | | \$2,625.00 | \$2,775.00 |
| PS/PA-020601-859736-FDC-EK | Fridge Drawer Combo with 40L EvaKool Fitkit - 850L x 970W x 365H **Fridge not included NO LIFTOUT HATCH | | \$2,635.00 | \$2,785.00 |
| PS/PA-020601-859736-FDC-IM | Fridge Drawer Combo with 40L Ironman Fitkit - 850L x 970W x 365H **Fridge not included NO LIFTOUT HATCH | | \$2,635.00 | \$2,785.00 |
| PS/PA-020601-859736-FDC-BM | Fridge Drawer Combo with 30L Bushman Fitkit - 850L x 970W x 365H **Fridge not included NO LIFTOUT HATCH | | \$2,635.00 | \$2,785.00 |
| PA-020601-099730-FDS-E/D | Engel/Dometic Fridge Drawer Stacker with Engel/Dometic Fitkit - 900L x 970W x 300H **Fridge not included Liftout Hatch provided to access space behind the fridge (100mm narrower if tie downs added to top) - 133L x 431W | | N/A | \$3,611.00 |
| PA-020601-859736-FDS-EK | Evakool Fridge Drawer Stacker with EvaKool Fitkit - 850L x 970W x 365H **Fridge not included NO LIFTOUT HATCH | | N/A | \$3,621.00 |
| PA-020601-859736-FDS-BM | Bushman Fridge Drawer Stacker with Bushman Fitkit - 850L x 970W x 365H **Fridge not included NO LIFTOUT HATCH | | N/A | \$3,621.00 |
| PS/PA-020601-099727-1SL | Easy Access Combo 1 & Wing Kit - Small Low Platform to Passenger Side (Gap size 485W). Single Drawer O/A 900L x 485W x 275H. Total Combo O/A 900L x 970W x 275H. (Suits RV-FS-1 *Not Included) (Suits Cargo Shelf Single 485W *Not Included) | | \$2,135.00 | \$2,285.00 |
| PS/PA-020601-099727-1SR | Easy Access Combo 1 & Wing Kit - Small Low Platform to Driver Side (Gap size 485W). Single Drawer O/A 900L x 485W x 275H. Total Combo O/A 900L x 970W x 275H. (Suits RV-FS-1 *Not Included) (Suits Cargo Shelf Single 485W *Not Included) | | \$2,135.00 | \$2,285.00 |
| PS/PA-020601-099727-1LL | Easy Access Combo 1 & Wing Kit - Large Low Platform to Passenger Side (Gap size 570W). Single Drawer O/A 900L x 400W x 275H. Total Combo O/A 900L x 970W x 275H. (Suits all RV-FS listed below except SO *Not Included) (Suits Cargo Shelf Single 570W *Not Included) | | \$2,135.00 | \$2,285.00 |
| PS/PA-020601-099727-1LR | Easy Access Combo 1 & Wing Kit - Large Low Platform to Driver Side (Gap size 570W). Single Drawer O/A 900L x 400W x 275H. Total Combo O/A 900L x 970W x 275H. (Suits all RV-FS listed below except SO *Not Included) (Suits Cargo Shelf Single 570W *Not Included) | | \$2,135.00 | \$2,285.00 |
| PS/PA-020601-099727-2SL | Easy Access Combo 2 & Wing Kit - Small Low Platform to Passenger Side (Gap size 485W). Double Stacked Drawers (Standard Height Bottom Drawer O/A 900L x 485W x 275H, Trade Height Top Drawer O/A 700L x 485W x 365H). Total Combo O/A 900L x 970W x 640H. (Suits RV-FS-1 *Not Included) (Suits Cargo Shelf Double 970W *Not Included). Optional 700L Standard Height top drawer minus -\$100.00, but cannot have Double Cargo Shelf. | | \$2,825.00 | \$3,125.00 |
| PS/PA-020601-099727-2SR | Easy Access Combo 2 & Wing Kit - Small Low Platform to Driver Side (Gap size 485W). Double Stacked Drawers (Standard Height Bottom Drawer O/A 900L x 485W x 275H, Trade Height Top Drawer O/A 700L x 485W x 365H). Total Combo O/A 900L x 970W x 640H. (Suits RV-FS-1 *Not Included) (Suits Cargo Shelf Double 970W *Not Included). Optional 700L Standard Height top drawer minus -\$100.00, but cannot have Double Cargo Shelf. | | \$2,825.00 | \$3,125.00 |
| PS/PA-020601-099727-2LL | Easy Access Combo 2 & Wing Kit - Large Low Platform to Passenger Side (Gap size 570W). Double Stacked Drawers (Standard Height Bottom Drawer O/A 900L x 400W x 275H, Trade Height Top Drawer O/A 700L x 400W x 365H). Total Combo O/A 900L x 970W x 640H. (Suits all RV-FS listed below except SO *Not Included) (Suits Cargo Shelf Double 970W *Not Included). Optional 700L Standard Height top drawer minus -\$100.00, but cannot have Double Cargo Shelf. | | \$2,825.00 | \$3,125.00 |
| PS/PA-020601-099727-2LR | Easy Access Combo 2 & Wing Kit - Large Low Platform to Driver Side (Gap size 570W). Double Stacked Drawers (Standard Height Bottom Drawer O/A 900L x 400W x 275H, Trade Height Top Drawer O/A 700L x 400W x 365H). Total Combo O/A 900L x 970W x 640H. (Suits all RV-FS listed below except SO *Not Included) (Suits Cargo Shelf Double 970W *Not Included). Optional 700L Standard Height top drawer minus -\$100.00, but cannot have Double Cargo Shelf. | | \$2,825.00 | \$3,125.00 |
| PA-020601-859736-TC | Tourer Combo & Wing Kit - Low Platform to Passenger Side for Bushman 85Lt Upright Fridge (Gap size 510W). Triple Stacked Drawers Driver Side (Slimline Bottom Drawer I/D 780L x 395W x 59H Standard Height Middle Drawer I/D 780L x 395W x 190H, Trade Height Top Drawer I/D 630L x 395W x 270H). Total Combo O/A 850L x 970W x 731H. (Includes Cargo Shelf Double, Bushman 85Lt Upright Fridge, Drawer Lids for Slimline and Standard height drawers). | | N/A | \$6,130.00 |
| RV-EAC-IFP-900 | Easy Access Combo INFILL PANEL - covers fridge slide cavity to create a flat solid top effect (NOTE: top drawer must be removed on EAC-2 systems) | | \$164.00 | N/A |
| RV-CS-0748-00 | Cargo Shelf single - 700L Ventilated side panel and solid top shelf to fit FS-1 (small fridge space). Fits EAC-1 900L x 970W | | \$520.00 | N/A |
| RV-CS-0757-00 | Cargo Shelf single - 700L Ventilated side panel and solid top shelf to fit FS-1.5 & 2 (large fridge space). Fits EAC-1 900L x 970W | | \$520.00 | N/A |
| RV-CS-0797-00 | Cargo Shelf double - 700L Ventilated side panel and solid top shelf system to suit EAC-2 900L x 970W fitted with a Trade Height top drawer | | \$567.00 | N/A |
| PS/PA-RV-FS-1 | Heavy Duty Fridge Slide - 750L x 455W x 80H (external incl. Travel Lock) | | \$472.00 | \$522.00 |
| PS-RV-FS-1-SO | Heavy Duty Fridge Slide - 450L x 770W x 110H (external incl. Travel Lock) | | \$472.00 | N/A |
| PS/PA-RV-FS-1.5 | Heavy Duty Fridge Slide - 750L x 530W x 80H (external incl. Travel Lock) | | \$520.00 | \$570.00 |
| PS/PA-RV-FS-2 | Heavy Duty Fridge Slide - 850L x 560W x 80H (external incl. Travel Lock) **Not Available For Trade Height | | \$567.00 | \$617.00 |
| PS-RV-FS-2-SO | Heavy Duty Fridge Slide - 550L x 870W x 110H (external incl. Travel Lock) | | \$567.00 | N/A |
| RV-020601-HCB | Rear Cargo Barrier - Half height for fitment to RV drawer system, ADR Compliant | | \$685.00 | N/A |
| RV-020601-TSC | Rear Top Shelf & Dividing Barrier Combination - For fitment to RV cargo barrier & drawer system **Standard Height Only | | \$704.00 | N/A |
| <p>No Inbuilt Fridge slide available. Fascias on Passenger and Driver side are too narrow to accommodate the latch. Rear Cargo Barrier only available for Standard Height Travel Slide Drawer Not Available for Trade Height EAC1 Travel Slide Drawers available on page 181 Dividing Barrier N/A for trade height drawers</p> | | | | |

| VEHICLE MAKE MODEL | | TOYOTA 120 Series Landcruiser Prado GXL (March 2003-2007) - 900x970 / 850x970 | | | TOYOTA | |
|---|--|---|--|--|------------|------------|
| PA: Premium Alloy PS: Premium Steel EL: EcoLite | TRADE HEIGHT DRAWERS +\$100 PER DRAWER | | | | | |
| | PREMBLK: PREMIUM BLACK RRP +180.00 (option) | | | | | |
| | DESCRIPTION (PRICES INCLUDE WING KIT UNLESS OTHERWISE STATED) | | | | PS RRP | PA RRP |
| PS/PA-020602-094827-SSL | Single Drawer & Wing Kit - Standard Height to Passenger Side 900L x 485W x 275H | | | | \$1,350.00 | \$1,500.00 |
| PS/PA-020602-094827-SSR | Single Drawer & Wing Kit - Standard Height to Driver Side 900L x 485W x 275H | | | | \$1,350.00 | \$1,500.00 |
| EL-020602-099727-TDS | EcoLite Twin Drawer & Wing Kit - Standard Height 900L x 970W x 275H | | | | \$1,900.00 | N/A |
| PS/PA-020602-099727-TDS | Twin Drawer & Wing Kit - Standard Height 900L x 970W x 275H | | | | \$2,595.00 | \$2,895.00 |
| PS/PA-020602-859736-TDH | Twin Drawer & Wing Kit - Trade Height 850L x 970W x 365H | | | | \$2,760.00 | \$3,060.00 |
| PS/PA-020602-099730-FDC-E/D | Fridge Drawer Combo with 30L Engel/Dometic Fitkit - 900L x 970W x 300H **Fridge not included Liftout Hatch provided to access space behind the fridge (100mm narrower if tie downs added to top) - 133L x 431W | | | | \$2,625.00 | \$2,775.00 |
| PS/PA-020602-859736-FDC-EK | Fridge Drawer Combo with 40L EvaKool Fitkit - 850L x 970W x 365H **Fridge not included NO LIFTOUT HATCH | | | | \$2,635.00 | \$2,785.00 |
| PS/PA-020602-859736-FDC-IM | Fridge Drawer Combo with 40L Ironman Fitkit - 850L x 970W x 365H **Fridge not included NO LIFTOUT HATCH | | | | \$2,635.00 | \$2,785.00 |
| PS/PA-020602-859736-FDC-BM | Fridge Drawer Combo with 30L Bushman Fitkit - 850L x 970W x 365H **Fridge not included NO LIFTOUT HATCH | | | | \$2,635.00 | \$2,785.00 |
| PA-020602-099730-FDS-E/D | Engel/Dometic Fridge Drawer Stacker with Engel/Dometic Fitkit - 900L x 970W x 300H **Fridge not included Liftout Hatch provided to access space behind the fridge (100mm narrower if tie downs added to top) - 133L x 431W | | | | N/A | \$3,611.00 |
| PA-020602-859736-FDS-EK | Evakool Fridge Drawer Stacker with Evakool Fitkit - 850L x 970W x 365H **Fridge not included NO LIFTOUT HATCH | | | | N/A | \$3,621.00 |
| PA-020602-859736-FDS-BM | Bushman Fridge Drawer Stacker with Bushman Fitkit - 850L x 970W x 365H **Fridge not included NO LIFTOUT HATCH | | | | N/A | \$3,621.00 |
| PS/PA-020602-099727-1SL | Easy Access Combo 1 & Wing Kit - Small Low Platform to Passenger Side (Gap size 485W). Single Drawer O/A 900L x 485W x 275H. Total Combo O/A 900L x 970W x 275H. (Suits RV-FS-1 *Not Included) (Suits Cargo Shelf Single 485W *Not Included) | | | | \$2,135.00 | \$2,285.00 |
| PS/PA-020602-099727-1SR | Easy Access Combo 1 & Wing Kit - Small Low Platform to Driver Side (Gap size 485W). Single Drawer O/A 900L x 485W x 275H. Total Combo O/A 900L x 970W x 275H. (Suits RV-FS-1 *Not Included) (Suits Cargo Shelf Single 485W *Not Included) | | | | \$2,135.00 | \$2,285.00 |
| PS/PA-020602-099727-1LL | Easy Access Combo 1 & Wing Kit - Large Low Platform to Passenger Side (Gap size 570W). Single Drawer O/A 900L x 400W x 275H. Total Combo O/A 900L x 970W x 275H. (Suits all RV-FS listed below except SO *Not Included) (Suits Cargo Shelf Single 570W *Not Included) | | | | \$2,135.00 | \$2,285.00 |
| PS/PA-020602-099727-1LR | Easy Access Combo 1 & Wing Kit - Large Low Platform to Driver Side (Gap size 570W). Single Drawer O/A 900L x 400W x 275H. Total Combo O/A 900L x 970W x 275H. (Suits all RV-FS listed below except SO *Not Included) (Suits Cargo Shelf Single 570W *Not Included) | | | | \$2,135.00 | \$2,285.00 |
| PS/PA-020602-099727-2SL | Easy Access Combo 2 & Wing Kit - Small Low Platform to Passenger Side (Gap size 485W). Double Stacked Drawers (Standard Height Bottom Drawer O/A 900L x 485W x 275H, Trade Height Top Drawer O/A 700L x 485W x 365H). Total Combo O/A 900L x 970W x 640H. (Suits RV-FS-1 *Not Included) (Suits Cargo Shelf Double 970W *Not Included). Optional 700L Standard Height top drawer minus -\$100.00, but cannot have Double Cargo Shelf. | | | | \$2,825.00 | \$3,125.00 |
| PS/PA-020602-099727-2SR | Easy Access Combo 2 & Wing Kit - Small Low Platform to Driver Side (Gap size 485W). Double Stacked Drawers (Standard Height Bottom Drawer O/A 900L x 485W x 275H, Trade Height Top Drawer O/A 700L x 485W x 365H). Total Combo O/A 900L x 970W x 640H. (Suits RV-FS-1 *Not Included) (Suits Cargo Shelf Double 970W *Not Included). Optional 700L Standard Height top drawer minus -\$100.00, but cannot have Double Cargo Shelf. | | | | \$2,825.00 | \$3,125.00 |
| PS/PA-020602-099727-2LL | Easy Access Combo 2 & Wing Kit - Large Low Platform to Passenger Side (Gap size 570W). Double Stacked Drawers (Standard Height Bottom Drawer O/A 900L x 400W x 275H, Trade Height Top Drawer O/A 700L x 400W x 365H). Total Combo O/A 900L x 970W x 640H. (Suits all RV-FS listed below except SO *Not Included) (Suits Cargo Shelf Double 970W *Not Included). Optional 700L Standard Height top drawer minus -\$100.00, but cannot have Double Cargo Shelf. | | | | \$2,825.00 | \$3,125.00 |
| PS/PA-020602-099727-2LR | Easy Access Combo 2 & Wing Kit - Large Low Platform to Driver Side (Gap size 570W). Double Stacked Drawers (Standard Height Bottom Drawer O/A 900L x 400W x 275H, Trade Height Top Drawer O/A 700L x 400W x 365H). Total Combo O/A 900L x 970W x 640H. (Suits all RV-FS listed below except SO *Not Included) (Suits Cargo Shelf Double 970W *Not Included). Optional 700L Standard Height top drawer minus -\$100.00, but cannot have Double Cargo Shelf. | | | | \$2,825.00 | \$3,125.00 |
| PA-020602-859736-TC | Tourer Combo & Wing Kit - Low Platform to Passenger Side for Bushman 85Lt Upright Fridge (Gap size 510W). Triple Stacked Drawers Driver Side (Slimline Bottom Drawer I/D 780L x 395W x 59H Standard Height Middle Drawer I/D 780L x 395W x 190H, Trade Height Top Drawer I/D 630L x 395W x 270H). Total Combo O/A 850L x 970W x 731H. (Includes Cargo Shelf Double, Bushman 85Lt Upright Fridge, Drawer Lids for Slimline and Standard height drawers). | | | | N/A | \$6,130.00 |
| RV-EAC-IFP-900 | Easy Access Combo INFILL PANEL - covers fridge slide cavity to create a flat solid top effect (NOTE: top drawer must be removed on EAC-2 systems) | | | | \$164.00 | N/A |
| RV-CS-0748-00 | Cargo Shelf single - 700L Ventilated side panel and solid top shelf to fit FS-1 (small fridge space). Fits EAC-1 900L x 970W | | | | \$520.00 | N/A |
| RV-CS-0757-00 | Cargo Shelf single - 700L Ventilated side panel and solid top shelf to fit FS-1.5 & 2 (large fridge space). Fits EAC-1 900L x 970W | | | | \$520.00 | N/A |
| RV-CS-0797-00 | Cargo Shelf double - 700L Ventilated side panel and solid top shelf system to suit EAC-2 900L x 970W fitted with a Trade Height top drawer | | | | \$567.00 | N/A |
| PS/PA-RV-FS-1 | Heavy Duty Fridge Slide - 750L x 455W x 80H (external incl. Travel Lock) | | | | \$472.00 | \$522.00 |
| PS-RV-FS-1-SO | Heavy Duty Fridge Slide - 450L x 770W x 110H (external incl. Travel Lock) | | | | \$472.00 | N/A |
| PS/PA-RV-FS-1.5 | Heavy Duty Fridge Slide - 750L x 530W x 80H (external incl. Travel Lock) | | | | \$520.00 | \$570.00 |
| PS/PA-RV-FS-2 | Heavy Duty Fridge Slide - 850L x 560W x 80H (external incl. Travel Lock) **Not Available For Trade Height | | | | \$567.00 | \$617.00 |
| PS-RV-FS-2-SO | Heavy Duty Fridge Slide - 550L x 870W x 110H (external incl. Travel Lock) | | | | \$567.00 | N/A |
| RV-020602-HCB | Rear Cargo Barrier - Half height for fitment to RV drawer system, ADR Compliant | | | | \$685.00 | N/A |
| RV-020602-TSC | Rear Top Shelf & Dividing Barrier Combination - For fitment to RV cargo barrier & drawer system **Standard Height Only | | | | \$704.00 | N/A |
| <p>No Inbuilt Fridge slide available. Fascias on Passenger and Driver side are too narrow to accommodate the latch. Rear Cargo Barrier only available for Standard Height Travel Slide Drawer Not Available for Trade Height EAC1 Travel Slide Drawers available on page 181 Dividing Barrier N/A for trade height drawers</p> | | | | | | |

| VEHICLE MAKE MODEL | | TOYOTA 120 Series Landcruiser Prado Grande, VX (March 2003-October 2009) GXL Upgrade (2008-October 2009) - 900x970 / 850x970 | | |
|---|---|---|------------|--|
| PA: Premium Alloy PS: Premium Steel EL: EcoLite | TRADE HEIGHT DRAWERS +\$100 PER DRAWER | | | |
| | PREMBLK: PREMIUM BLACK RRP +180.00 (option) | | | |
| | DESCRIPTION (PRICES INCLUDE WING KIT UNLESS OTHERWISE STATED) | PS RRP | PA RRP | |
| PS/PA-020603-094827-SSL | Single Drawer & Wing Kit - Standard Height to Passenger Side 900L x 485W x 275H | \$1,350.00 | \$1,500.00 | |
| PS/PA-020603-094827-SSR | Single Drawer & Wing Kit - Standard Height to Driver Side 900L x 485W x 275H | \$1,350.00 | \$1,500.00 | |
| EL-020603-099727-TDS | EcoLite Twin Drawer & Wing Kit - Standard Height 900L x 970W x 275H | \$1,900.00 | N/A | |
| PS/PA-020603-099727-TDS | Twin Drawer & Wing Kit - Standard Height 900L x 970W x 275H | \$2,595.00 | \$2,895.00 | |
| PS/PA-020603-859736-TDH | Twin Drawer & Wing Kit - Trade Height 850L x 970W x 365H | \$2,760.00 | \$3,060.00 | |
| PS/PA-020603-099730-FDC-E/D | Fridge Drawer Combo with 30L Engel/Dometic Fitkit - 900L x 970W x 300H **Fridge not included Liftout Hatch provided to access space behind the fridge (100mm narrower if tie downs added to top) - 133L x 431W | \$2,625.00 | \$2,775.00 | |
| PS/PA-020603-859736-FDC-EK | Fridge Drawer Combo with 40L EvaKool Fitkit - 850L x 970W x 365H **Fridge not included NO LIFTOUT HATCH | \$2,635.00 | \$2,785.00 | |
| PS/PA-020603-859736-FDC-IM | Fridge Drawer Combo with 40L Ironman Fitkit - 850L x 970W x 365H **Fridge not included NO LIFTOUT HATCH | \$2,635.00 | \$2,785.00 | |
| PS/PA-020603-859736-FDC-BM | Fridge Drawer Combo with 30L Bushman Fitkit - 850L x 970W x 365H **Fridge not included NO LIFTOUT HATCH | \$2,635.00 | \$2,785.00 | |
| PA-020603-099730-FDS-E/D | Engel/Dometic Fridge Drawer Stacker with Engel/Dometic Fitkit - 900L x 970W x 300H **Fridge not included Liftout Hatch provided to access space behind the fridge (100mm narrower if tie downs added to top) - 133L x 431W | N/A | \$3,611.00 | |
| PA-020603-859736-FDS-EK | Evakool Fridge Drawer Stacker with EvaKool Fitkit - 850L x 970W x 365H **Fridge not included NO LIFTOUT HATCH | N/A | \$3,621.00 | |
| PA-020603-859736-FDS-BM | Bushman Fridge Drawer Stacker with Bushman Fitkit - 850L x 970W x 365H **Fridge not included NO LIFTOUT HATCH | N/A | \$3,621.00 | |
| PS/PA-020603-099727-1SL | Easy Access Combo 1 & Wing Kit - Small Low Platform to Passenger Side (Gap size 485W). Single Drawer O/A 900L x 485W x 275H. Total Combo O/A 900L x 970W x 275H. (Suits RV-FS-1 *Not Included) (Suits Cargo Shelf Single 485W *Not Included) | \$2,135.00 | \$2,285.00 | |
| PS/PA-020603-099727-1SR | Easy Access Combo 1 & Wing Kit - Small Low Platform to Driver Side (Gap size 485W). Single Drawer O/A 900L x 485W x 275H. Total Combo O/A 900L x 970W x 275H. (Suits RV-FS-1 *Not Included) (Suits Cargo Shelf Single 485W *Not Included) | \$2,135.00 | \$2,285.00 | |
| PS/PA-020603-099727-1LL | Easy Access Combo 1 & Wing Kit - Large Low Platform to Passenger Side (Gap size 570W). Single Drawer O/A 900L x 400W x 275H. Total Combo O/A 900L x 970W x 275H. (Suits all RV-FS listed below except SO *Not Included) (Suits Cargo Shelf Single 570W *Not Included) | \$2,135.00 | \$2,285.00 | |
| PS/PA-020603-099727-1LR | Easy Access Combo 1 & Wing Kit - Large Low Platform to Driver Side (Gap size 570W). Single Drawer O/A 900L x 400W x 275H. Total Combo O/A 900L x 970W x 275H. (Suits all RV-FS listed below except SO *Not Included) (Suits Cargo Shelf Single 570W *Not Included) | \$2,135.00 | \$2,285.00 | |
| PS/PA-020603-099727-2SL | Easy Access Combo 2 & Wing Kit - Small Low Platform to Passenger Side (Gap size 485W). Double Stacked Drawers (Standard Height Bottom Drawer O/A 900L x 485W x 275H, Trade Height Top Drawer O/A 700L x 485W x 365H). Total Combo O/A 900L x 970W x 640H. (Suits RV-FS-1 *Not Included) (Suits Cargo Shelf Double 970W *Not Included). Optional 700L Standard Height top drawer minus -\$100.00, but cannot have Double Cargo Shelf. | \$2,825.00 | \$3,125.00 | |
| PS/PA-020603-099727-2SR | Easy Access Combo 2 & Wing Kit - Small Low Platform to Driver Side (Gap size 485W). Double Stacked Drawers (Standard Height Bottom Drawer O/A 900L x 485W x 275H, Trade Height Top Drawer O/A 700L x 485W x 365H). Total Combo O/A 900L x 970W x 640H. (Suits RV-FS-1 *Not Included) (Suits Cargo Shelf Double 970W *Not Included). Optional 700L Standard Height top drawer minus -\$100.00, but cannot have Double Cargo Shelf. | \$2,825.00 | \$3,125.00 | |
| PS/PA-020603-099727-2LL | Easy Access Combo 2 & Wing Kit - Large Low Platform to Passenger Side (Gap size 570W). Double Stacked Drawers (Standard Height Bottom Drawer O/A 900L x 400W x 275H, Trade Height Top Drawer O/A 700L x 400W x 365H). Total Combo O/A 900L x 970W x 640H. (Suits all RV-FS listed below except SO *Not Included) (Suits Cargo Shelf Double 970W *Not Included). Optional 700L Standard Height top drawer minus -\$100.00, but cannot have Double Cargo Shelf. | \$2,825.00 | \$3,125.00 | |
| PS/PA-020603-099727-2LR | Easy Access Combo 2 & Wing Kit - Large Low Platform to Driver Side (Gap size 570W). Double Stacked Drawers (Standard Height Bottom Drawer O/A 900L x 400W x 275H, Trade Height Top Drawer O/A 700L x 400W x 365H). Total Combo O/A 900L x 970W x 640H. (Suits all RV-FS listed below except SO *Not Included) (Suits Cargo Shelf Double 970W *Not Included). Optional 700L Standard Height top drawer minus -\$100.00, but cannot have Double Cargo Shelf. | \$2,825.00 | \$3,125.00 | |
| PA-020603-859736-TC | Tourer Combo & Wing Kit - Low Platform to Passenger Side for Bushman 85L Upright Fridge (Gap size 510W). Triple Stacked Drawers Driver Side (Slimline Bottom Drawer I/D 780L x 395W x 59H Standard Height Middle Drawer I/D 780L x 395W x 190H, Trade Height Top Drawer I/D 630L x 395W x 270H). Total Combo O/A 850L x 970W x 731H. (Includes Cargo Shelf Double, Bushman 85L Upright Fridge, Drawer Lids for Slimline and Standard height drawers). | N/A | \$6,130.00 | |
| RV-EAC-IFP-900 | Easy Access Combo INFILL PANEL - covers fridge slide cavity to create a flat solid top effect (NOTE: top drawer must be removed on EAC-2 systems) | \$164.00 | N/A | |
| RV-CS-0748-00 | Cargo Shelf single - 700L Ventilated side panel and solid top shelf to fit FS-1 (small fridge space). Fits EAC-1 900L x 970W | \$520.00 | N/A | |
| RV-CS-0757-00 | Cargo Shelf single - 700L Ventilated side panel and solid top shelf to fit FS-1.5 & 2 (large fridge space). Fits EAC-1 900L x 970W | \$520.00 | N/A | |
| RV-CS-0797-00 | Cargo Shelf double - 700L Ventilated side panel and solid top shelf system to suit EAC-2 900L x 970W fitted with a Trade Height top drawer | \$567.00 | N/A | |
| PS/PA-RV-FS-1 | Heavy Duty Fridge Slide - 750L x 455W x 80H (external incl. Travel Lock) | \$472.00 | \$522.00 | |
| PS-RV-FS-1-SO | Heavy Duty Fridge Slide - 450L x 770W x 110H (external incl. Travel Lock) | \$472.00 | N/A | |
| PS/PA-RV-FS-1.5 | Heavy Duty Fridge Slide - 750L x 530W x 80H (external incl. Travel Lock) | \$520.00 | \$570.00 | |
| PS/PA-RV-FS-2 | Heavy Duty Fridge Slide - 850L x 560W x 80H (external incl. Travel Lock) **Not Available For Trade Height | \$567.00 | \$617.00 | |
| PS-RV-FS-2-SO | Heavy Duty Fridge Slide - 550L x 870W x 110H (external incl. Travel Lock) | \$567.00 | N/A | |
| RV-020603-HCB | Rear Cargo Barrier - Half height for fitment to RV drawer system, ADR Compliant | \$685.00 | N/A | |
| RV-020603-TSC | Rear Top Shelf & Dividing Barrier Combination - For fitment to RV cargo barrier & drawer system **Standard Height Only | \$704.00 | N/A | |

No Inbuilt Fridge slide available. Fascias on Passenger and Driver side are too narrow to accommodate the latch.
Rear Cargo Barrier only available for Standard Height
Travel Slide Drawer Not Available for Trade Height EAC1
Travel Slide Drawers available on page 181
Dividing Barrier N/A for trade height drawers

| VEHICLE MAKE MODEL | TOYOTA 120 Series Landcruiser Prado Standard 5 Seater (2007-2009) - 900x970 / 850x970 | TOYOTA | |
|---|---|------------|------------|
| PA: Premium Alloy PS: Premium Steel EL: EcoLite | TRADE HEIGHT DRAWERS +\$100 PER DRAWER | | |
| | PREMLBK: PREMIUM BLACK RRP +180.00 (option) | | |
| | DESCRIPTION (PRICES INCLUDE WING KIT UNLESS OTHERWISE STATED) | PS RRP | PA RRP |
| PS/PA-020606-094827-SSL | Single Drawer & Wing Kit - Standard Height to Passenger Side 900L x 485W x 275H | \$1,350.00 | \$1,500.00 |
| PS/PA-020606-094827-SSR | Single Drawer & Wing Kit - Standard Height to Driver Side 900L x 485W x 275H | \$1,350.00 | \$1,500.00 |
| EL-020606-099727-TDS | EcoLite Twin Drawer & Wing Kit - Standard Height 900L x 970W x 275H | \$1,900.00 | N/A |
| PS/PA-020606-099727-TDS | Twin Drawer & Wing Kit - Standard Height 900L x 970W x 275H | \$2,595.00 | \$2,895.00 |
| PS/PA-020606-859736-TDH | Twin Drawer & Wing Kit - Trade Height 850L x 970W x 365H | \$2,760.00 | \$3,060.00 |
| PS/PA-020606-099730-FDC-E/D | Fridge Drawer Combo with 30L Engel/Dometic Fitkit - 900L x 970W x 300H **Fridge not included Liftout Hatch provided to access space behind the fridge (100mm narrower if tie downs added to top) - 133L x 431W | \$2,625.00 | \$2,775.00 |
| PS/PA-020606-859736-FDC-EK | Fridge Drawer Combo with 40L EvaKool Fitkit - 850L x 970W x 365H **Fridge not included NO LIFTOUT HATCH | \$2,635.00 | \$2,785.00 |
| PS/PA-020606-859736-FDC-IM | Fridge Drawer Combo with 40L Ironman Fitkit - 850L x 970W x 365H **Fridge not included NO LIFTOUT HATCH | \$2,635.00 | \$2,785.00 |
| PS/PA-020606-859736-FDC-BM | Fridge Drawer Combo with 30L Bushman Fitkit - 850L x 970W x 365H **Fridge not included NO LIFTOUT HATCH | \$2,635.00 | \$2,785.00 |
| PA-020606-099730-FDS-E/D | Engel/Dometic Fridge Drawer Stacker with Engel/Dometic Fitkit - 900L x 970W x 300H **Fridge not included Liftout Hatch provided to access space behind the fridge (100mm narrower if tie downs added to top) - 133L x 431W | N/A | \$3,611.00 |
| PA-020606-859736-FDS-EK | Evakool Fridge Drawer Stacker with EvaKool Fitkit - 850L x 970W x 365H **Fridge not included NO LIFTOUT HATCH | N/A | \$3,621.00 |
| PA-020606-859736-FDS-BM | Bushman Fridge Drawer Stacker with Bushman Fitkit - 850L x 970W x 365H **Fridge not included NO LIFTOUT HATCH | N/A | \$3,621.00 |
| PS/PA-020606-099727-1SL | Easy Access Combo 1 & Wing Kit - Small Low Platform to Passenger Side (Gap size 485W). Single Drawer O/A 900L x 485W x 275H. Total Combo O/A 900L x 970W x 275H. (Suits RV-FS-1 *Not Included) (Suits Cargo Shelf Single 485W *Not Included) | \$2,135.00 | \$2,285.00 |
| PS/PA-020606-099727-1SR | Easy Access Combo 1 & Wing Kit - Small Low Platform to Driver Side (Gap size 485W). Single Drawer O/A 900L x 485W x 275H. Total Combo O/A 900L x 970W x 275H. (Suits RV-FS-1 *Not Included) (Suits Cargo Shelf Single 485W *Not Included) | \$2,135.00 | \$2,285.00 |
| PS/PA-020606-099727-1LL | Easy Access Combo 1 & Wing Kit - Large Low Platform to Passenger Side (Gap size 570W). Single Drawer O/A 900L x 400W x 275H. Total Combo O/A 900L x 970W x 275H. (Suits all RV-FS listed below except SO *Not Included) (Suits Cargo Shelf Single 570W *Not Included) | \$2,135.00 | \$2,285.00 |
| PS/PA-020606-099727-1LR | Easy Access Combo 1 & Wing Kit - Large Low Platform to Driver Side (Gap size 570W). Single Drawer O/A 900L x 400W x 275H. Total Combo O/A 900L x 970W x 275H. (Suits all RV-FS listed below except SO *Not Included) (Suits Cargo Shelf Single 570W *Not Included) | \$2,135.00 | \$2,285.00 |
| PS/PA-020606-099727-2SL | Easy Access Combo 2 & Wing Kit - Small Low Platform to Passenger Side (Gap size 485W). Double Stacked Drawers (Standard Height Bottom Drawer O/A 900L x 485W x 275H, Trade Height Top Drawer O/A 700L x 485W x 365H). Total Combo O/A 900L x 970W x 640H. (Suits RV-FS-1 *Not Included) (Suits Cargo Shelf Double 970W *Not Included). Optional 700L Standard Height top drawer minus -\$100.00, but cannot have Double Cargo Shelf. | \$2,825.00 | \$3,125.00 |
| PS/PA-020606-099727-2SR | Easy Access Combo 2 & Wing Kit - Small Low Platform to Driver Side (Gap size 485W). Double Stacked Drawers (Standard Height Bottom Drawer O/A 900L x 485W x 275H, Trade Height Top Drawer O/A 700L x 485W x 365H). Total Combo O/A 900L x 970W x 640H. (Suits RV-FS-1 *Not Included) (Suits Cargo Shelf Double 970W *Not Included). Optional 700L Standard Height top drawer minus -\$100.00, but cannot have Double Cargo Shelf. | \$2,825.00 | \$3,125.00 |
| PS/PA-020606-099727-2LL | Easy Access Combo 2 & Wing Kit - Large Low Platform to Passenger Side (Gap size 570W). Double Stacked Drawers (Standard Height Bottom Drawer O/A 900L x 400W x 275H, Trade Height Top Drawer O/A 700L x 400W x 365H). Total Combo O/A 900L x 970W x 640H. (Suits all RV-FS listed below except SO *Not Included) (Suits Cargo Shelf Double 970W *Not Included). Optional 700L Standard Height top drawer minus -\$100.00, but cannot have Double Cargo Shelf. | \$2,825.00 | \$3,125.00 |
| PS/PA-020606-099727-2LR | Easy Access Combo 2 & Wing Kit - Large Low Platform to Driver Side (Gap size 570W). Double Stacked Drawers (Standard Height Bottom Drawer O/A 900L x 400W x 275H, Trade Height Top Drawer O/A 700L x 400W x 365H). Total Combo O/A 900L x 970W x 640H. (Suits all RV-FS listed below except SO *Not Included) (Suits Cargo Shelf Double 970W *Not Included). Optional 700L Standard Height top drawer minus -\$100.00, but cannot have Double Cargo Shelf. | \$2,825.00 | \$3,125.00 |
| PA-020606-859736-TC | Tourer Combo & Wing Kit - Low Platform to Passenger Side for Bushman 85L Upright Fridge (Gap size 510W). Triple Stacked Drawers Driver Side (Slimline Bottom Drawer I/D 780L x 395W x 59H Standard Height Middle Drawer I/D 780L x 395W x 190H, Trade Height Top Drawer I/D 630L x 395W x 270H). Total Combo O/A 850L x 970W x 731H. (Includes Cargo Shelf Double, Bushman 85L Upright Fridge, Drawer Lids for Slimline and Standard height drawers). | N/A | \$6,130.00 |
| RV-EAC-IFP-900 | Easy Access Combo INFILL PANEL - covers fridge slide cavity to create a flat solid top effect (NOTE: top drawer must be removed on EAC-2 systems) | \$164.00 | N/A |
| RV-CS-0748-00 | Cargo Shelf single - 700L Ventilated side panel and solid top shelf to fit FS-1 (small fridge space). Fits EAC-1 900L x 970W | \$520.00 | N/A |
| RV-CS-0757-00 | Cargo Shelf single - 700L Ventilated side panel and solid top shelf to fit FS-1.5 & 2 (large fridge space). Fits EAC-1 900L x 970W | \$520.00 | N/A |
| RV-CS-0797-00 | Cargo Shelf double - 700L Ventilated side panel and solid top shelf system to suit EAC-2 900L x 970W fitted with a Trade Height top drawer | \$567.00 | N/A |
| PS/PA-RV-FS-1 | Heavy Duty Fridge Slide - 750L x 455W x 80H (external incl. Travel Lock) | \$472.00 | \$522.00 |
| PS-RV-FS-1-SO | Heavy Duty Fridge Slide - 450L x 770W x 110H (external incl. Travel Lock) | \$472.00 | N/A |
| PS/PA-RV-FS-1.5 | Heavy Duty Fridge Slide - 750L x 530W x 80H (external incl. Travel Lock) | \$520.00 | \$570.00 |
| PS/PA-RV-FS-2 | Heavy Duty Fridge Slide - 850L x 560W x 80H (external incl. Travel Lock) **Not Available For Trade Height | \$567.00 | \$617.00 |
| PS-RV-FS-2-SO | Heavy Duty Fridge Slide - 550L x 870W x 110H (external incl. Travel Lock) | \$567.00 | N/A |
| RV-020606-HCB | Rear Cargo Barrier - Half height for fitment to RV drawer system, ADR Compliant | \$685.00 | N/A |
| RV-020606-TSC | Rear Top Shelf & Dividing Barrier Combination - For fitment to RV cargo barrier & drawer system **Standard Height Only | \$704.00 | N/A |

No Inbuilt Fridge slide available. Fascias on Passenger and Driver side are too narrow to accommodate the latch.
Rear Cargo Barrier only available for Standard Height
Travel Slide Drawer Not Available for Trade Height EAC1
Travel Slide Drawers available on page 181
Dividing Barrier N/A for trade height drawers

| VEHICLE MAKE MODEL | | TOYOTA 150 Series Landcruiser Prado GX 5 Seater (November 2009 +) - 900x970 / 850x970 | | |
|---|---|--|------------|--|
| PA: Premium Alloy PS: Premium Steel EL: EcoLite | | TRADE HEIGHT DRAWERS +\$100 PER DRAWER | | |
| | | PREMBLK: PREMIUM BLACK RRP +180.00 (option) | | |
| | | DESCRIPTION (PRICES INCLUDE WING KIT UNLESS OTHERWISE STATED) | | |
| | | PS RRP | PA RRP | |
| EL-020701-099727-TDS | EcoLite Twin Drawer & Wing Kit - Standard Height 900L x 970W x 275H (Subframe included) | \$2,010.00 | N/A | |
| PS/PA-020701-099727-TDS | Twin Drawer & Wing Kit - Standard Height 900L x 970W x 275H (Subframe included) | \$2,705.00 | \$3,005.00 | |
| PS/PA-020701-859736-TDH | Twin Drawer & Wing Kit - Trade Height 850L x 970W x 365H (Subframe included) | \$2,870.00 | \$3,170.00 | |
| PS/PA-020701-099730-FDC-E/D | Fridge Drawer Combo with 30L Engel/Dometic Fitkit - 900L x 970W x 300H (Subframe included) *Fridge not included Liftout Hatch provided to access space behind the fridge (100mm narrower if tie downs added to top) - 133L x 431W | \$2,735.00 | \$2,885.00 | |
| PS/PA-020701-859736-FDC-EK | Fridge Drawer Combo with 40L EvaKool Fitkit - 850L x 970W x 365H (Subframe included) *Fridge not included NO LIFTOUT HATCH | \$2,745.00 | \$2,895.00 | |
| PS/PA-020701-859736-FDC-IM | Fridge Drawer Combo with 40L Ironman Fitkit - 850L x 970W x 365H (Subframe included) *Fridge not included NO LIFTOUT HATCH | \$2,745.00 | \$2,895.00 | |
| PS/PA-020701-859736-FDC-BM | Fridge Drawer Combo with 30L Bushman Fitkit - 850L x 970W x 365H (Subframe included) *Fridge not included NO LIFTOUT HATCH | \$2,745.00 | \$2,895.00 | |
| PA-020701-099730-FDS-E/D | Engel/Dometic Fridge Drawer Stacker with Engel/Dometic Fitkit - 900L x 970W x 300H (Subframe included) *Fridge not included Liftout Hatch provided to access space behind the fridge (100mm narrower if tie downs added to top) - 133L x 431W | N/A | \$3,721.00 | |
| PA-020701-859736-FDS-EK | Evakool Fridge Drawer Stacker with EvaKool Fitkit - 850L x 970W x 365H (Subframe included) *Fridge not included NO LIFTOUT HATCH | N/A | \$3,731.00 | |
| PA-020701-859736-FDS-BM | Bushman Fridge Drawer Stacker with Bushman Fitkit - 850L x 970W x 365H (Subframe included) *Fridge not included NO LIFTOUT HATCH | N/A | \$3,731.00 | |
| PS/PA-020701-099727-1SL | Easy Access Combo 1 & Wing Kit - Small Low Platform to Passenger Side (Gap size 485W). Single Drawer O/A 900L x 485W x 275H. Total Combo O/A 900L x 970W x 275H. (Subframe included) (Suits RV-FS-1 *Not Included) (Suits Cargo Shelf Single 485W *Not Included) | \$2,245.00 | \$2,395.00 | |
| PS/PA-020701-099727-1SR | Easy Access Combo 1 & Wing Kit - Small Low Platform to Driver Side (Gap size 485W). Single Drawer O/A 900L x 485W x 275H. Total Combo O/A 900L x 970W x 275H. (Subframe included) (Suits RV-FS-1 *Not Included) (Suits Cargo Shelf Single 485W *Not Included) | \$2,245.00 | \$2,395.00 | |
| PS/PA-020701-099727-1LL | Easy Access Combo 1 & Wing Kit - Large Low Platform to Passenger Side (Gap size 570W). Single Drawer O/A 900L x 400W x 275H. Total Combo O/A 900L x 970W x 275H. (Subframe included) (Suits all RV-FS listed below except SO *Not Included) (Suits Cargo Shelf Single 570W *Not Included) | \$2,245.00 | \$2,395.00 | |
| PS/PA-020701-099727-1LR | Easy Access Combo 1 & Wing Kit - Large Low Platform to Driver Side (Gap size 570W). Single Drawer O/A 900L x 400W x 275H. Total Combo O/A 900L x 970W x 275H. (Subframe included) (Suits all RV-FS listed below except SO *Not Included) (Suits Cargo Shelf Single 570W *Not Included) | \$2,245.00 | \$2,395.00 | |
| PS/PA-020701-099727-2SL | Easy Access Combo 2 & Wing Kit - Small Low Platform to Passenger Side (Gap size 485W). Double Stacked Drawers (Standard Height Bottom Drawer O/A 900L x 485W x 275H, Trade Height Top Drawer O/A 700L x 485W x 365H). Total Combo O/A 900L x 970W x 640H. (Subframe included) (Suits RV-FS-1 *Not Included) (Suits Cargo Shelf Double 970W *Not Included). Optional 700L Standard Height top drawer minus -\$100.00, but cannot have Double Cargo Shelf. | \$2,935.00 | \$3,235.00 | |
| PS/PA-020701-099727-2SR | Easy Access Combo 2 & Wing Kit - Small Low Platform to Driver Side (Gap size 485W). Double Stacked Drawers (Standard Height Bottom Drawer O/A 900L x 485W x 275H, Trade Height Top Drawer O/A 700L x 485W x 365H). Total Combo O/A 900L x 970W x 640H. (Subframe included) (Suits RV-FS-1 *Not Included) (Suits Cargo Shelf Double 970W *Not Included). Optional 700L Standard Height top drawer minus -\$100.00, but cannot have Double Cargo Shelf. | \$2,935.00 | \$3,235.00 | |
| PS/PA-020701-099727-2LL | Easy Access Combo 2 & Wing Kit - Large Low Platform to Passenger Side (Gap size 570W). Double Stacked Drawers (Standard Height Bottom Drawer O/A 900L x 400W x 275H, Trade Height Top Drawer O/A 700L x 400W x 365H). Total Combo O/A 900L x 970W x 640H. (Subframe included) (Suits all RV-FS listed below except SO *Not Included) (Suits Cargo Shelf Double 970W *Not Included). Optional 700L Standard Height top drawer minus -\$100.00, but cannot have Double Cargo Shelf. | \$2,935.00 | \$3,235.00 | |
| PS/PA-020701-099727-2LR | Easy Access Combo 2 & Wing Kit - Large Low Platform to Driver Side (Gap size 570W). Double Stacked Drawers (Standard Height Bottom Drawer O/A 900L x 400W x 275H, Trade Height Top Drawer O/A 700L x 400W x 365H). Total Combo O/A 900L x 970W x 640H. (Subframe included) (Suits all RV-FS listed below except SO *Not Included) (Suits Cargo Shelf Double 970W *Not Included). Optional 700L Standard Height top drawer minus -\$100.00, but cannot have Double Cargo Shelf. | \$2,935.00 | \$3,235.00 | |
| PA-020701-859736-TC | Tourer Combo & Wing Kit - Low Platform to Passenger Side for Bushman 85Lt Upright Fridge (Gap size 510W). Triple Stacked Drawers Driver Side (Slimline Bottom Drawer I/D 780L x 395W x 59H Standard Height Middle Drawer I/D 780L x 395W x 190H, Trade Height Top Drawer I/D 630L x 395W x 270H). Total Combo O/A 850L x 970W x 731H. (Includes Cargo Shelf Double, Bushman 85Lt Upright Fridge, Drawer Lids for Slimline and Standard height drawers). | N/A | \$6,130.00 | |
| RV-EAC-IFP-900 | Easy Access Combo INFILL PANEL - covers fridge slide cavity to create a flat solid top effect (NOTE: top drawer must be removed on EAC-2 systems) | \$164.00 | N/A | |
| RV-CS-0748-00 | Cargo Shelf single - 700L Ventilated side panel and solid top shelf to fit FS-1 (small fridge space). Fits EAC-1 900L x 970W | \$520.00 | N/A | |
| RV-CS-0757-00 | Cargo Shelf single - 700L Ventilated side panel and solid top shelf to fit FS-1.5 & 2 (large fridge space). Fits EAC-1 900L x 970W | \$520.00 | N/A | |
| RV-CS-0797-00 | Cargo Shelf double - 700L Ventilated side panel and solid top shelf system to suit EAC-2 900L x 970W fitted with a Trade Height top drawer | \$567.00 | N/A | |
| RV-IBFS-900-PS | Inbuilt Fridge Slide - flush fitting 900L (Passenger Side) Premium drawers only | \$413.00 | \$413.00 | |
| PS/PA-RV-FS-1 | Heavy Duty Fridge Slide - 750L x 455W x 80H (external incl. Travel Lock) | \$472.00 | \$522.00 | |
| PS-RV-FS-1-SO | Heavy Duty Fridge Slide - 450L x 770W x 110H (external incl. Travel Lock) | \$472.00 | N/A | |
| PS/PA-RV-FS-1.5 | Heavy Duty Fridge Slide - 750L x 530W x 80H (external incl. Travel Lock) | \$520.00 | \$570.00 | |
| PS/PA-RV-FS-2 | Heavy Duty Fridge Slide - 850L x 560W x 80H (external incl. Travel Lock) **Not Available For Trade Height | \$567.00 | \$617.00 | |
| PS-RV-FS-2-SO | Heavy Duty Fridge Slide - 550L x 870W x 110H (external incl. Travel Lock) | \$567.00 | N/A | |
| RV-020701-HCB | Rear Cargo Barrier - Half height for fitment to RV drawer system, ADR Compliant | \$685.00 | N/A | |
| RV-020701-TSC | Rear Top Shelf & Dividing Barrier Combination - For fitment to RV cargo barrier & drawer system **Standard Height Only | \$704.00 | N/A | |
| RV-020701-FTF | Forward Twin Floor - Twin carpeted floor system for fitment to RV drawer system, ADR Compliant | \$886.00 | N/A | |
| RV-020701-FCB | Forward Cargo Barrier - Half height for fitment to RV Forward Twin Floor, ADR Compliant | \$685.00 | N/A | |

Travel Slide Drawer Not Available for Trade Height EAC1
Travel Slide Drawers available on page 181
Inbuilt Fridge Slides N/A for Trade Height alloy drawers
Dividing Barrier N/A for trade height drawers

| VEHICLE MAKE MODEL | TOYOTA 150 Series Landcruiser Prado GXL, VX, Kakadu, Altitude (November 2009 +) - 900x970 / 850x970 | TOYOTA | |
|---|---|------------|------------|
| PA: Premium Alloy PS: Premium Steel EL: EcoLite | TRADE HEIGHT DRAWERS +\$100 PER DRAWER PREMBLK: PREMIUM BLACK RRP +180.00 (option) | | |
| | DESCRIPTION (PRICES INCLUDE WING KIT UNLESS OTHERWISE STATED) | PS RRP | PA RRP |
| EL-020702-099727-TDS | EcoLite Twin Drawer & Wing Kit - Standard Height 900L x 970W x 275H (Subframe included) | \$2,010.00 | N/A |
| PS/PA-020702-099727-TDS | Twin Drawer & Wing Kit - Standard Height 900L x 970W x 275H (Subframe included) | \$2,705.00 | \$3,005.00 |
| PS/PA-020702-859736-TDH | Twin Drawer & Wing Kit - Trade Height 850L x 970W x 365H (Subframe included) | \$2,870.00 | \$3,170.00 |
| PS/PA-020702-099730-FDC-E/D | Fridge Drawer Combo with 30L Engel/Dometic Fitkit - 900L x 970W x 300H (Subframe included) *Fridge not included Liftout Hatch provided to access space behind the fridge (100mm narrower if tie downs added to top) - 133L x 431W | \$2,735.00 | \$2,885.00 |
| PS/PA-020702-859736-FDC-EK | Fridge Drawer Combo with 40L EvaKool Fitkit - 850L x 970W x 365H (Subframe included) *Fridge not included NO LIFTOUT HATCH | \$2,745.00 | \$2,895.00 |
| PS/PA-020702-859736-FDC-IM | Fridge Drawer Combo with 40L Ironman Fitkit - 850L x 970W x 365H (Subframe included) *Fridge not included NO LIFTOUT HATCH | \$2,745.00 | \$2,895.00 |
| PS/PA-020702-859736-FDC-BM | Fridge Drawer Combo with 30L Bushman Fitkit - 850L x 970W x 365H (Subframe included) *Fridge not included NO LIFTOUT HATCH | \$2,745.00 | \$2,895.00 |
| PA-020702-099730-FDS-E/D | Engel/Dometic Fridge Drawer Stacker with Engel/Dometic Fitkit - 900L x 970W x 300H (Subframe included) *Fridge not included Liftout Hatch provided to access space behind the fridge (100mm narrower if tie downs added to top) - 133L x 431W | N/A | \$3,721.00 |
| PA-020702-859736-FDS-EK | Evakool Fridge Drawer Stacker with EvaKool Fitkit - 850L x 970W x 365H (Subframe included) *Fridge not included NO LIFTOUT HATCH | N/A | \$3,731.00 |
| PA-020702-859736-FDS-BM | Bushman Fridge Drawer Stacker with Bushman Fitkit - 850L x 970W x 365H (Subframe included) *Fridge not included NO LIFTOUT HATCH | N/A | \$3,731.00 |
| PS/PA-020702-099727-1SL | Easy Access Combo 1 & Wing Kit - Small Low Platform to Passenger Side (Gap size 485W). Single Drawer O/A 900L x 485W x 275H. Total Combo O/A 900L x 970W x 275H. (Subframe included) (Suits RV-FS-1 *Not Included) (Suits Cargo Shelf Single 485W *Not Included) | \$2,245.00 | \$2,395.00 |
| PS/PA-020702-099727-1SR | Easy Access Combo 1 & Wing Kit - Small Low Platform to Driver Side (Gap size 485W). Single Drawer O/A 900L x 485W x 275H. Total Combo O/A 900L x 970W x 275H. (Subframe included) (Suits RV-FS-1 *Not Included) (Suits Cargo Shelf Single 485W *Not Included) | \$2,245.00 | \$2,395.00 |
| PS/PA-020702-099727-1LL | Easy Access Combo 1 & Wing Kit - Large Low Platform to Passenger Side (Gap size 570W). Single Drawer O/A 900L x 400W x 275H. Total Combo O/A 900L x 970W x 275H. (Subframe included) (Suits all RV-FS listed below except SO *Not Included) (Suits Cargo Shelf Single 570W *Not Included) | \$2,245.00 | \$2,395.00 |
| PS/PA-020702-099727-1LR | Easy Access Combo 1 & Wing Kit - Large Low Platform to Driver Side (Gap size 570W). Single Drawer O/A 900L x 400W x 275H. Total Combo O/A 900L x 970W x 275H. (Subframe included) (Suits all RV-FS listed below except SO *Not Included) (Suits Cargo Shelf Single 570W *Not Included) | \$2,245.00 | \$2,395.00 |
| PS/PA-020702-099727-2SL | Easy Access Combo 2 & Wing Kit - Small Low Platform to Passenger Side (Gap size 485W). Double Stacked Drawers (Standard Height Bottom Drawer O/A 900L x 485W x 275H, Trade Height Top Drawer O/A 700L x 485W x 365H). Total Combo O/A 900L x 970W x 640H. (Subframe included) (Suits RV-FS-1 *Not Included) (Suits Cargo Shelf Double 970W *Not Included). Optional 700L Standard Height top drawer minus -\$100.00, but cannot have Double Cargo Shelf. | \$2,935.00 | \$3,235.00 |
| PS/PA-020702-099727-2SR | Easy Access Combo 2 & Wing Kit - Small Low Platform to Driver Side (Gap size 485W). Double Stacked Drawers (Standard Height Bottom Drawer O/A 900L x 485W x 275H, Trade Height Top Drawer O/A 700L x 485W x 365H). Total Combo O/A 900L x 970W x 640H. (Subframe included) (Suits RV-FS-1 *Not Included) (Suits Cargo Shelf Double 970W *Not Included). Optional 700L Standard Height top drawer minus -\$100.00, but cannot have Double Cargo Shelf. | \$2,935.00 | \$3,235.00 |
| PS/PA-020702-099727-2LL | Easy Access Combo 2 & Wing Kit - Large Low Platform to Passenger Side (Gap size 570W). Double Stacked Drawers (Standard Height Bottom Drawer O/A 900L x 400W x 275H, Trade Height Top Drawer O/A 700L x 400W x 365H). Total Combo O/A 900L x 970W x 640H. (Subframe included) (Suits all RV-FS listed below except SO *Not Included) (Suits Cargo Shelf Double 970W *Not Included). Optional 700L Standard Height top drawer minus -\$100.00, but cannot have Double Cargo Shelf. | \$2,935.00 | \$3,235.00 |
| PS/PA-020702-099727-2LR | Easy Access Combo 2 & Wing Kit - Large Low Platform to Driver Side (Gap size 570W). Double Stacked Drawers (Standard Height Bottom Drawer O/A 900L x 400W x 275H, Trade Height Top Drawer O/A 700L x 400W x 365H). Total Combo O/A 900L x 970W x 640H. (Subframe included) (Suits all RV-FS listed below except SO *Not Included) (Suits Cargo Shelf Double 970W *Not Included). Optional 700L Standard Height top drawer minus -\$100.00, but cannot have Double Cargo Shelf. | \$2,935.00 | \$3,235.00 |
| PA-020702-859736-TC | Tourer Combo & Wing Kit - Low Platform to Passenger Side for Bushman 85Lt Upright Fridge (Gap size 510W). Triple Stacked Drawers Driver Side (Slimline Bottom Drawer I/D 780L x 395W x 59H Standard Height Middle Drawer I/D 780L x 395W x 190H, Trade Height Top Drawer I/D 630L x 395W x 270H). Total Combo O/A 850L x 970W x 731H. (Includes Cargo Shelf Double, Bushman 85Lt Upright Fridge, Drawer Lids for Slimline and Standard height drawers). | N/A | \$6,130.00 |
| RV-EAC-IFP-900 | Easy Access Combo INFILL PANEL - covers fridge slide cavity to create a flat solid top effect (NOTE: top drawer must be removed on EAC-2 systems) | \$164.00 | N/A |
| RV-CS-0748-00 | Cargo Shelf single - 700L Ventilated side panel and solid top shelf to fit FS-1 (small fridge space). Fits EAC-1 900L x 970W | \$520.00 | N/A |
| RV-CS-0757-00 | Cargo Shelf single - 700L Ventilated side panel and solid top shelf to fit FS-1.5 & 2 (large fridge space). Fits EAC-1 900L x 970W | \$520.00 | N/A |
| RV-CS-0797-00 | Cargo Shelf double - 700L Ventilated side panel and solid top shelf system to suit EAC-2 900L x 970W fitted with a Trade Height top drawer | \$567.00 | N/A |
| RV-IBFS-900-PS | Inbuilt Fridge Slide - flush fitting 900L (Passenger Side) Premium drawers only | \$413.00 | \$413.00 |
| PS/PA-RV-FS-1 | Heavy Duty Fridge Slide - 750L x 455W x 80H (external incl. Travel Lock) | \$472.00 | \$522.00 |
| PS-RV-FS-1-SO | Heavy Duty Fridge Slide - 450L x 770W x 110H (external incl. Travel Lock) | \$472.00 | N/A |
| PS/PA-RV-FS-1.5 | Heavy Duty Fridge Slide - 750L x 530W x 80H (external incl. Travel Lock) | \$520.00 | \$570.00 |
| PS/PA-RV-FS-2 | Heavy Duty Fridge Slide - 850L x 560W x 80H (external incl. Travel Lock) **Not Available For Trade Height | \$567.00 | \$617.00 |
| PS-RV-FS-2-SO | Heavy Duty Fridge Slide - 550L x 870W x 110H (external incl. Travel Lock) | \$567.00 | N/A |
| RV-020702-HCB | Rear Cargo Barrier - Half height for fitment to RV drawer system, ADR Compliant | \$685.00 | N/A |
| RV-020702-TSC | Rear Top Shelf & Dividing Barrier Combination - For fitment to RV cargo barrier & drawer system **Standard Height Only | \$704.00 | N/A |
| RV-020702-FTF | Forward Twin Floor - Twin carpeted floor system for fitment to RV drawer system, ADR Compliant | \$886.00 | N/A |
| RV-020702-FCB | Forward Cargo Barrier - Half height for fitment to RV Forward Twin Floor, ADR Compliant | \$685.00 | N/A |

130LT Bushman Fridge Enclosure will NOT fit into an EAC1

Travel Slide Drawer Not Available for Trade Height EAC1

Travel Slide Drawers available on page 181

Inbuilt Fridge Slides N/A for Trade Height alloy drawers

Dividing Barrier N/A for trade height drawers

Kakadu with rear speaker MUST be noted when placing order as the wing will be cut to accommodate the speaker

| VEHICLE MAKE MODEL | TOYOTA 150 Series Landcruiser Prado ZR 3 Door SWB (November 2009 +) - 1200x970 TOYOTA | | |
|--|---|------------|------------|
| PA: Premium Alloy PS: Premium Steel EL: EcoLite | PREMLBK: PREMIUM BLACK RRP +180.00 (option) | | |
| | DESCRIPTION (PRICES INCLUDE WING KIT UNLESS OTHERWISE STATED) | PS RRP | PA RRP |
| PS/PA-020705-105127-SSL | Single Drawer & Wing Kit - Standard Height to Passenger Side 1200L x 485W x 275H | \$1,430.00 | \$1,580.00 |
| PS/PA-020705-105127-SSR | Single Drawer & Wing Kit - Standard Height to Driver Side 1200L x 485W x 275H | \$1,430.00 | \$1,580.00 |
| EL-020705-129727-TDS | EcoLite Twin Drawer & Wing Kit - Standard Height 1200L x 970W x 275H | \$2,020.00 | N/A |
| PS/PA-020705-129727-TDS | Twin Drawer & Wing Kit - Standard Height 1200L x 970W x 275H | \$2,760.00 | \$3,060.00 |
| RV-IBFS-1000-DS | Inbuilt Fridge Slide - flush fitting 1000L (Driver Side) <i>Premium drawers only</i> | \$448.00 | \$448.00 |
| RV-IBFS-1000-PS | Inbuilt Fridge Slide - flush fitting 1000L (Passenger Side) <i>Premium drawers only</i> | \$448.00 | \$448.00 |
| PS/PA-RV-FS-1 | Heavy Duty Fridge Slide - 750L x 455W x 80H (external incl. Travel Lock) | \$472.00 | \$522.00 |
| PS-RV-FS-1-SO | Heavy Duty Fridge Slide - 450L x 770W x 110H (external incl. Travel Lock) | \$472.00 | N/A |
| PS/PA-RV-FS-1.5 | Heavy Duty Fridge Slide - 750L x 530W x 80H (external incl. Travel Lock) | \$520.00 | \$570.00 |
| PS/PA-RV-FS-2 | Heavy Duty Fridge Slide - 850L x 560W x 80H (external incl. Travel Lock) | \$567.00 | \$617.00 |
| PS-RV-FS-2-SO | Heavy Duty Fridge Slide - 550L x 870W x 110H (external incl. Travel Lock) | \$567.00 | N/A |
| PS/PA-RV-FS-2.25 | Heavy Duty Fridge Slide - 950L x 560W x 80H (external incl. Travel Lock) | \$590.00 | \$640.00 |
| PS/PA-RV-FS-2.5 | Heavy Duty Fridge Slide - 1050L x 560W x 80H (external incl. Travel Lock) | \$685.00 | \$735.00 |
| RV-020705-HCB | Rear Cargo Barrier - Half height for fitment to RV drawer system, ADR Compliant | \$685.00 | N/A |
| No Trade Height option available Travel Slide Drawers not available | | | |

| VEHICLE MAKE MODEL | | TOYOTA 250 Series Landcruiser Prado GXL, VX, Altitude, Kakadu (November 2024 +) - 900x970 | | |
|---|---|---|------------|--|
| PA: Premium Alloy PS: Premium Steel EL: EcoLite | | TRADE HEIGHT DRAWERS +\$100 PER DRAWER | | |
| | | PREMLBK: PREMIUM BLACK RRP +180.00 (option) | | |
| | | DESCRIPTION (PRICES INCLUDE WING KIT UNLESS OTHERWISE STATED) | | |
| | | PS RRP | PA RRP | |
| EL-020902-099727-TDS | EcoLite Twin Drawer & Wing Kit - Standard Height 900L x 970W x 275H (Subframe included) | \$2,010.00 | N/A | |
| PS/PA-020902-099727-TDS | Twin Drawer & Wing Kit - Standard Height 900L x 970W x 275H (Subframe included) | \$2,705.00 | \$3,005.00 | |
| PS/PA-020902-099736-TDH | Twin Drawer & Wing Kit - Trade Height 900L x 970W x 365H (Subframe included) | \$2,905.00 | \$3,205.00 | |
| PS/PA-020902-099730-FDC-E/D | Fridge Drawer Combo with 30L Engel/Dometic Fitkit - 900L x 970W x 300H (Subframe included) *Fridge not included Liftout Hatch provided to access space behind the fridge (100mm narrower if tie downs added to top) - 133L x 431W | \$2,735.00 | \$2,885.00 | |
| PS/PA-020902-099736-FDC-EK | Fridge Drawer Combo with 40L EvaKool Fitkit - 900L x 970W x 365H (Subframe included) *Fridge not included NO LIFTOUT HATCH | \$2,745.00 | \$2,895.00 | |
| PS/PA-020902-099736-FDC-IM | Fridge Drawer Combo with 40L Ironman Fitkit - 900L x 970W x 365H (Subframe included) *Fridge not included Liftout Hatch provided to access space behind the fridge (100mm narrower if tie downs added to top) - 133L x 510W | \$2,845.00 | \$2,995.00 | |
| PS/PA-020902-099736-FDC-BM | Fridge Drawer Combo with 30L Bushman Fitkit - 900L x 970W x 365H (Subframe included) *Fridge not included NO LIFTOUT HATCH | \$2,745.00 | \$2,895.00 | |
| PA-020902-099730-FDS-E/D | Engel/Dometic Fridge Drawer Stacker with Engel/Dometic Fitkit - 900L x 970W x 300H (Subframe included) *Fridge not included Liftout Hatch provided to access space behind the fridge (100mm narrower if tie downs added to top) - 133L x 431W | N/A | \$3,721.00 | |
| PA-020902-099736-FDS-EK | Evakool Fridge Drawer Stacker with EvaKool Fitkit - 900L x 970W x 365H (Subframe included) *Fridge not included NO LIFTOUT HATCH | N/A | \$3,731.00 | |
| PA-020902-099736-FDS-BM | Bushman Fridge Drawer Stacker with Bushman Fitkit - 900L x 970W x 365H (Subframe included) *Fridge not included NO LIFTOUT HATCH | N/A | \$3,731.00 | |
| PS/PA-020902-099727-1SL | Easy Access Combo 1 & Wing Kit - Small Low Platform to Passenger Side (Gap size 485W). Single Drawer O/A 900L x 485W x 275H. Total Combo O/A 900L x 970W x 275H. (Subframe included) (Suits RV-FS-1 *Not Included) (Suits Cargo Shelf Single 485W *Not Included) | \$2,245.00 | \$2,395.00 | |
| PS/PA-020902-099727-1SR | Easy Access Combo 1 & Wing Kit - Small Low Platform to Driver Side (Gap size 485W). Single Drawer O/A 900L x 485W x 275H. Total Combo O/A 900L x 970W x 275H. (Subframe included) (Suits RV-FS-1 *Not Included) (Suits Cargo Shelf Single 485W *Not Included) | \$2,245.00 | \$2,395.00 | |
| PS/PA-020902-099727-1LL | Easy Access Combo 1 & Wing Kit - Large Low Platform to Passenger Side (Gap size 570W). Single Drawer O/A 900L x 400W x 275H. Total Combo O/A 900L x 970W x 275H. (Subframe included) (Suits all RV-FS listed below except SO *Not Included) (Suits Cargo Shelf Single 570W *Not Included) | \$2,245.00 | \$2,395.00 | |
| PS/PA-020902-099727-1LR | Easy Access Combo 1 & Wing Kit - Large Low Platform to Driver Side (Gap size 570W). Single Drawer O/A 900L x 400W x 275H. Total Combo O/A 900L x 970W x 275H. (Subframe included) (Suits all RV-FS listed below except SO *Not Included) (Suits Cargo Shelf Single 570W *Not Included) | \$2,245.00 | \$2,395.00 | |
| PS/PA-020902-099727-2SL | Easy Access Combo 2 & Wing Kit - Small Low Platform to Passenger Side (Gap size 485W). Double Stacked Drawers (Standard Height Bottom Drawer O/A 900L x 485W x 275H, Trade Height Top Drawer O/A 700L x 485W x 365H). Total Combo O/A 900L x 970W x 640H. (Subframe included) (Suits RV-FS-1 *Not Included) (Suits Cargo Shelf Double 970W *Not Included). Optional 700L Standard Height top drawer minus -\$100.00, but cannot have Double Cargo Shelf. | \$2,935.00 | \$3,235.00 | |
| PS/PA-020902-099727-2SR | Easy Access Combo 2 & Wing Kit - Small Low Platform to Driver Side (Gap size 485W). Double Stacked Drawers (Standard Height Bottom Drawer O/A 900L x 485W x 275H, Trade Height Top Drawer O/A 700L x 485W x 365H). Total Combo O/A 900L x 970W x 640H. (Subframe included) (Suits RV-FS-1 *Not Included) (Suits Cargo Shelf Double 970W *Not Included). Optional 700L Standard Height top drawer minus -\$100.00, but cannot have Double Cargo Shelf. | \$2,935.00 | \$3,235.00 | |
| PS/PA-020902-099727-2LL | Easy Access Combo 2 & Wing Kit - Large Low Platform to Passenger Side (Gap size 570W). Double Stacked Drawers (Standard Height Bottom Drawer O/A 900L x 400W x 275H, Trade Height Top Drawer O/A 700L x 400W x 365H). Total Combo O/A 900L x 970W x 640H. (Subframe included) (Suits all RV-FS listed below except SO *Not Included) (Suits Cargo Shelf Double 970W *Not Included). Optional 700L Standard Height top drawer minus -\$100.00, but cannot have Double Cargo Shelf. | \$2,935.00 | \$3,235.00 | |
| PS/PA-020902-099727-2LR | Easy Access Combo 2 & Wing Kit - Large Low Platform to Driver Side (Gap size 570W). Double Stacked Drawers (Standard Height Bottom Drawer O/A 900L x 400W x 275H, Trade Height Top Drawer O/A 700L x 400W x 365H). Total Combo O/A 900L x 970W x 640H. (Subframe included) (Suits all RV-FS listed below except SO *Not Included) (Suits Cargo Shelf Double 970W *Not Included). Optional 700L Standard Height top drawer minus -\$100.00, but cannot have Double Cargo Shelf. | \$2,935.00 | \$3,235.00 | |
| PA-020902-099736-TC | Tourer Combo & Wing Kit - Low Platform to Passenger Side for Bushman 85L Upright Fridge (Gap size 510W). Triple Stacked Drawers Driver Side (Slimline Bottom Drawer I/D 830L x 395W x 59H Standard Height Middle Drawer I/D 830L x 395W x 190H, Trade Height Top Drawer I/D 680L x 395W x 270H). Total Combo O/A 900L x 970W x 731H. (Includes Cargo Shelf Double, Bushman 85L Upright Fridge, Drawer Lids for Slimline and Standard height drawers). | N/A | \$6,130.00 | |
| RV-EAC-IFP-900 | Easy Access Combo INFILL PANEL - covers fridge slide cavity to create a flat solid top effect (NOTE: top drawer must be removed on EAC-2 systems) | \$164.00 | N/A | |
| RV-CS-0748-00 | Cargo Shelf single - 700L Ventilated side panel and solid top shelf to fit FS-1 (small fridge space). Fits EAC-1 900L x 970W | \$520.00 | N/A | |
| RV-CS-0757-00 | Cargo Shelf single - 700L Ventilated side panel and solid top shelf to fit FS-1.5 & 2 (large fridge space). Fits EAC-1 900L x 970W | \$520.00 | N/A | |
| RV-CS-0797-00 | Cargo Shelf double - 700L Ventilated side panel and solid top shelf system to suit EAC-2 900L x 970W fitted with a Trade Height top drawer | \$567.00 | N/A | |
| RV-IBFS-900-DS | Inbuilt Fridge Slide - flush fitting 900L (Driver Side) Premium drawers only | \$413.00 | \$413.00 | |
| RV-IBFS-900-PS | Inbuilt Fridge Slide - flush fitting 900L (Passenger Side) Premium drawers only | \$413.00 | \$413.00 | |
| PS/PA-RV-FS-1 | Heavy Duty Fridge Slide - 750L x 455W x 80H (external incl. Travel Lock) | \$472.00 | \$522.00 | |
| PS-RV-FS-1-SO | Heavy Duty Fridge Slide - 450L x 770W x 110H (external incl. Travel Lock) | \$472.00 | N/A | |
| PS/PA-RV-FS-1.5 | Heavy Duty Fridge Slide - 750L x 530W x 80H (external incl. Travel Lock) | \$520.00 | \$570.00 | |
| PS/PA-RV-FS-2 | Heavy Duty Fridge Slide - 850L x 560W x 80H (external incl. Travel Lock) **Not Available For Trade Height | \$567.00 | \$617.00 | |
| PS-RV-FS-2-SO | Heavy Duty Fridge Slide - 550L x 870W x 110H (external incl. Travel Lock) | \$567.00 | N/A | |
| RV-020902-HCB | Rear Cargo Barrier - Half height for fitment to RV drawer system, ADR Compliant | \$685.00 | N/A | |
| RV-020902-TSC | Rear Top Shelf & Dividing Barrier Combination - For fitment to RV cargo barrier & drawer system **Standard Height Only | \$704.00 | N/A | |
| RV-020902-RCF | Cargo Floor - 67H low profile floor on subframe including 2 liftout hatches for factory battery system access, and 4 tie down points | \$999.00 | | |

130LT Bushman Fridge Enclosure will NOT fit into an EAC1
Travel Slide Drawers available on page 181
Inbuilt Fridge Slides N/A for Trade Height alloy drawers
Dividing Barrier N/A for trade height drawers

TOYOTA

| VEHICLE MAKE MODEL | | TOYOTA KLUGER GXL, GRANDE (2018 - 2020) - 900x970 | | |
|--|---|---|------------|--|
| PA: Premium Alloy PS: Premium Steel EL: EcoLite | | TRADE HEIGHT DRAWERS +\$100 PER DRAWER | | |
| | | PREMBLK: PREMIUM BLACK RRP +180.00 (option) | | |
| | | DESCRIPTION (PRICES INCLUDE WING KIT UNLESS OTHERWISE STATED) | | |
| | | PS RRP | PA RRP | |
| EL-023001-099727-TDS | EcoLite Twin Drawer & Wing Kit - Standard Height 900L x 970W x 275H (Subframe included) | \$2,010.00 | N/A | |
| PS/PA-023001-099727-TDS | Twin Drawer & Wing Kit - Standard Height 900L x 970W x 275H (Subframe included) | \$2,705.00 | \$3,005.00 | |
| PS/PA-023001-099730-FDC-E/D | Fridge Drawer Combo with 30L Engel/Dometic Fitkit - 900L x 970W x 300H (Subframe included) *Fridge not included Liftout Hatch provided to access space behind the fridge (100mm narrower if tie downs added to top) - 133L x 431W | \$2,735.00 | \$2,885.00 | |
| PA-023001-099730-FDS-E/D | Engel/Dometic Fridge Drawer Stacker with Engel/Dometic Fitkit - 900L x 970W x 300H (Subframe included) *Fridge not included Liftout Hatch provided to access space behind the fridge (100mm narrower if tie downs added to top) - 133L x 431W | N/A | \$3,721.00 | |
| PS/PA-023001-099727-1SL | Easy Access Combo 1 & Wing Kit - Small Low Platform to Passenger Side (Gap size 485W). Single Drawer O/A 900L x 485W x 275H. Total Combo O/A 900L x 970W x 275H. (Subframe included) (Suits RV-FS-1 *Not Included) (Suits Cargo Shelf Single 485W *Not Included) | \$2,245.00 | \$2,395.00 | |
| PS/PA-023001-099727-1SR | Easy Access Combo 1 & Wing Kit - Small Low Platform to Driver Side (Gap size 485W). Single Drawer O/A 900L x 485W x 275H. Total Combo O/A 900L x 970W x 275H. (Subframe included) (Suits RV-FS-1 *Not Included) (Suits Cargo Shelf Single 485W *Not Included) | \$2,245.00 | \$2,395.00 | |
| PS/PA-023001-099727-1LL | Easy Access Combo 1 & Wing Kit - Large Low Platform to Passenger Side (Gap size 570W). Single Drawer O/A 900L x 400W x 275H. Total Combo O/A 900L x 970W x 275H. (Subframe included) (Suits all RV-FS listed below except SO *Not Included) (Suits Cargo Shelf Single 570W *Not Included) | \$2,245.00 | \$2,395.00 | |
| PS/PA-023001-099727-1LR | Easy Access Combo 1 & Wing Kit - Large Low Platform to Driver Side (Gap size 570W). Single Drawer O/A 900L x 400W x 275H. Total Combo O/A 900L x 970W x 275H. (Subframe included) (Suits all RV-FS listed below except SO *Not Included) (Suits Cargo Shelf Single 570W *Not Included) | \$2,245.00 | \$2,395.00 | |
| PS/PA-023001-099727-2SL | Easy Access Combo 2 & Wing Kit - Small Low Platform to Passenger Side (Gap size 485W). Double Stacked Drawers (Standard Height Bottom Drawer O/A 900L x 485W x 275H, Trade Height Top Drawer O/A 700L x 485W x 365H). Total Combo O/A 900L x 970W x 640H. (Subframe included) (Suits RV-FS-1 *Not Included) (Suits Cargo Shelf Double 970W *Not Included). Optional 700L Standard Height top drawer minus -\$100.00, but cannot have Double Cargo Shelf. | \$2,935.00 | \$3,235.00 | |
| PS/PA-023001-099727-2SR | Easy Access Combo 2 & Wing Kit - Small Low Platform to Driver Side (Gap size 485W). Double Stacked Drawers (Standard Height Bottom Drawer O/A 900L x 485W x 275H, Trade Height Top Drawer O/A 700L x 485W x 365H). Total Combo O/A 900L x 970W x 640H. (Subframe included) (Suits RV-FS-1 *Not Included) (Suits Cargo Shelf Double 970W *Not Included). Optional 700L Standard Height top drawer minus -\$100.00, but cannot have Double Cargo Shelf. | \$2,935.00 | \$3,235.00 | |
| PS/PA-023001-099727-2LL | Easy Access Combo 2 & Wing Kit - Large Low Platform to Passenger Side (Gap size 570W). Double Stacked Drawers (Standard Height Bottom Drawer O/A 900L x 400W x 275H, Trade Height Top Drawer O/A 700L x 400W x 365H). Total Combo O/A 900L x 970W x 640H. (Subframe included) (Suits all RV-FS listed below except SO *Not Included) (Suits Cargo Shelf Double 970W *Not Included). Optional 700L Standard Height top drawer minus -\$100.00, but cannot have Double Cargo Shelf. | \$2,935.00 | \$3,235.00 | |
| PS/PA-023001-099727-2LR | Easy Access Combo 2 & Wing Kit - Large Low Platform to Driver Side (Gap size 570W). Double Stacked Drawers (Standard Height Bottom Drawer O/A 900L x 400W x 275H, Trade Height Top Drawer O/A 700L x 400W x 365H). Total Combo O/A 900L x 970W x 640H. (Subframe included) (Suits all RV-FS listed below except SO *Not Included) (Suits Cargo Shelf Double 970W *Not Included). Optional 700L Standard Height top drawer minus -\$100.00, but cannot have Double Cargo Shelf. | \$2,935.00 | \$3,235.00 | |
| RV-EAC-IFP-900 | Easy Access Combo INFILL PANEL - covers fridge slide cavity to create a flat solid top effect (NOTE: top drawer must be removed on EAC-2 systems) | \$164.00 | N/A | |
| RV-CS-0748-00 | Cargo Shelf single - 700L Ventilated side panel and solid top shelf to fit FS-1 (small fridge space). Fits EAC-1 900L x 970W | \$520.00 | N/A | |
| RV-CS-0757-00 | Cargo Shelf single - 700L Ventilated side panel and solid top shelf to fit FS-1.5 & 2 (large fridge space). Fits EAC-1 900L x 970W | \$520.00 | N/A | |
| RV-CS-0797-00 | Cargo Shelf double - 700L Ventilated side panel and solid top shelf system to suit EAC-2 900L x 970W fitted with a Trade Height top drawer | \$567.00 | N/A | |
| RV-IBFS-900-DS | Inbuilt Fridge Slide - flush fitting 900L (Driver Side) Premium drawers only | \$413.00 | \$413.00 | |
| RV-IBFS-900-PS | Inbuilt Fridge Slide - flush fitting 900L (Passenger Side) Premium drawers only | \$413.00 | \$413.00 | |
| PS/PA-RV-FS-1 | Heavy Duty Fridge Slide - 750L x 455W x 80H (external incl. Travel Lock) | \$472.00 | \$522.00 | |
| PS-RV-FS-1-SO | Heavy Duty Fridge Slide - 450L x 770W x 110H (external incl. Travel Lock) | \$472.00 | N/A | |
| PS/PA-RV-FS-1.5 | Heavy Duty Fridge Slide - 750L x 530W x 80H (external incl. Travel Lock) | \$520.00 | \$570.00 | |
| PS-RV-FS-2-SO | Heavy Duty Fridge Slide - 550L x 870W x 110H (external incl. Travel Lock) | \$567.00 | N/A | |
| RV-023001-HCB | Rear Cargo Barrier - Half height for fitment to RV drawer system, ADR Compliant | \$685.00 | N/A | |
| <p>Rear Cargo Barrier only available for Standard Height No Trade Height option available Travel Slide Drawers available on page 181</p> | | | | |

| VEHICLE MAKE MODEL | | TOYOTA FORTUNER GX, GXL, CRUSADE (2015+) - 900x970 | | |
|--|---|---|------------|------------|
| PA: Premium Alloy PS: Premium Steel EL: EcoLite | | PREMBLK: PREMIUM BLACK RRP +180.00 (option) | | |
| | | DESCRIPTION (PRICES INCLUDE WING KIT UNLESS OTHERWISE STATED) | PS RRP | PA RRP |
| EL-023101-099727-TDS | EcoLite Twin Drawer & Wing Kit - Standard Height 900L x 970W x 275H (Subframe included) | | \$2,010.00 | N/A |
| PS/PA-023101-099727-TDS | Twin Drawer & Wing Kit - Standard Height 900L x 970W x 275H (Subframe included) | | \$2,705.00 | \$3,005.00 |
| PS/PA-023101-099730-FDC-E/D | Fridge Drawer Combo with 30L Engel/Dometic Fitkit - 900L x 970W x 300H (Subframe included) *Fridge not included Liftout Hatch provided to access space behind the fridge (100mm narrower if tie downs added to top) - 133L x 431W | | \$2,735.00 | \$2,885.00 |
| PA-023101-099730-FDS-E/D | Engel/Dometic Fridge Drawer Stacker with Engel/Dometic Fitkit - 900L x 970W x 300H (Subframe included) *Fridge not included Liftout Hatch provided to access space behind the fridge (100mm narrower if tie downs added to top) - 133L x 431W | | N/A | \$3,721.00 |
| PS/PA-023101-099727-1SL | Easy Access Combo 1 & Wing Kit - Small Low Platform to Passenger Side (Gap size 485W). Single Drawer O/A 900L x 485W x 275H. Total Combo O/A 900L x 970W x 275H. (Subframe included) (Suits RV-FS-1 *Not Included) (Suits Cargo Shelf Single 485W *Not Included) | | \$2,245.00 | \$2,395.00 |
| PS/PA-023101-099727-1SR | Easy Access Combo 1 & Wing Kit - Small Low Platform to Driver Side (Gap size 485W). Single Drawer O/A 900L x 485W x 275H. Total Combo O/A 900L x 970W x 275H. (Subframe included) (Suits RV-FS-1 *Not Included) (Suits Cargo Shelf Single 485W *Not Included) | | \$2,245.00 | \$2,395.00 |
| PS/PA-023101-099727-1LL | Easy Access Combo 1 & Wing Kit - Large Low Platform to Passenger Side (Gap size 570W). Single Drawer O/A 900L x 400W x 275H. Total Combo O/A 900L x 970W x 275H. (Subframe included) (Suits all RV-FS listed below except SO *Not Included) (Suits Cargo Shelf Single 570W *Not Included) | | \$2,245.00 | \$2,395.00 |
| PS/PA-023101-099727-1LR | Easy Access Combo 1 & Wing Kit - Large Low Platform to Driver Side (Gap size 570W). Single Drawer O/A 900L x 400W x 275H. Total Combo O/A 900L x 970W x 275H. (Subframe included) (Suits all RV-FS listed below except SO *Not Included) (Suits Cargo Shelf Single 570W *Not Included) | | \$2,245.00 | \$2,395.00 |
| PS/PA-023101-099727-2SL | Easy Access Combo 2 & Wing Kit - Small Low Platform to Passenger Side (Gap size 485W). Double Stacked Drawers (Standard Height Bottom Drawer O/A 900L x 485W x 275H, Trade Height Top Drawer O/A 700L x 485W x 365H). Total Combo O/A 900L x 970W x 640H. (Subframe included) (Suits RV-FS-1 *Not Included) (Suits Cargo Shelf Double 970W *Not Included). Optional 700L Standard Height top drawer minus -\$100.00, but cannot have Double Cargo Shelf. | | \$2,935.00 | \$3,235.00 |
| PS/PA-023101-099727-2SR | Easy Access Combo 2 & Wing Kit - Small Low Platform to Driver Side (Gap size 485W). Double Stacked Drawers (Standard Height Bottom Drawer O/A 900L x 485W x 275H, Trade Height Top Drawer O/A 700L x 485W x 365H). Total Combo O/A 900L x 970W x 640H. (Subframe included) (Suits RV-FS-1 *Not Included) (Suits Cargo Shelf Double 970W *Not Included). Optional 700L Standard Height top drawer minus -\$100.00, but cannot have Double Cargo Shelf. | | \$2,935.00 | \$3,235.00 |
| PS/PA-023101-099727-2LL | Easy Access Combo 2 & Wing Kit - Large Low Platform to Passenger Side (Gap size 570W). Double Stacked Drawers (Standard Height Bottom Drawer O/A 900L x 400W x 275H, Trade Height Top Drawer O/A 700L x 400W x 365H). Total Combo O/A 900L x 970W x 640H. (Subframe included) (Suits all RV-FS listed below except SO *Not Included) (Suits Cargo Shelf Double 970W *Not Included). Optional 700L Standard Height top drawer minus -\$100.00, but cannot have Double Cargo Shelf. | | \$2,935.00 | \$3,235.00 |
| PS/PA-023101-099727-2LR | Easy Access Combo 2 & Wing Kit - Large Low Platform to Driver Side (Gap size 570W). Double Stacked Drawers (Standard Height Bottom Drawer O/A 900L x 400W x 275H, Trade Height Top Drawer O/A 700L x 400W x 365H). Total Combo O/A 900L x 970W x 640H. (Subframe included) (Suits all RV-FS listed below except SO *Not Included) (Suits Cargo Shelf Double 970W *Not Included). Optional 700L Standard Height top drawer minus -\$100.00, but cannot have Double Cargo Shelf. | | \$2,935.00 | \$3,235.00 |
| RV-EAC-IFP-900 | Easy Access Combo INFILL PANEL - covers fridge slide cavity to create a flat solid top effect (NOTE: top drawer must be removed on EAC-2 systems) | | \$164.00 | N/A |
| RV-CS-0748-00 | Cargo Shelf single - 700L Ventilated side panel and solid top shelf to fit FS-1 (small fridge space). Fits EAC-1 900L x 970W | | \$520.00 | N/A |
| RV-CS-0757-00 | Cargo Shelf single - 700L Ventilated side panel and solid top shelf to fit FS-1.5 & 2 (large fridge space). Fits EAC-1 900L x 970W | | \$520.00 | N/A |
| RV-CS-0797-00 | Cargo Shelf double - 700L Ventilated side panel and solid top shelf system to suit EAC-2 900L x 970W fitted with a Trade Height top drawer | | \$567.00 | N/A |
| RV-IBFS-900-DS | Inbuilt Fridge Slide - flush fitting 900L (Driver Side) Premium drawers only | | \$413.00 | \$413.00 |
| RV-IBFS-900-PS | Inbuilt Fridge Slide - flush fitting 900L (Passenger Side) Premium drawers only | | \$413.00 | \$413.00 |
| PS/PA-RV-FS-1 | Heavy Duty Fridge Slide - 750L x 455W x 80H (external incl. Travel Lock) | | \$472.00 | \$522.00 |
| PS-RV-FS-1-SO | Heavy Duty Fridge Slide - 450L x 770W x 110H (external incl. Travel Lock) | | \$472.00 | N/A |
| PS/PA-RV-FS-1.5 | Heavy Duty Fridge Slide - 750L x 530W x 80H (external incl. Travel Lock) | | \$520.00 | \$570.00 |
| PS-RV-FS-2-SO | Heavy Duty Fridge Slide - 550L x 870W x 110H (external incl. Travel Lock) | | \$567.00 | N/A |
| RV-023101-HCB | Rear Cargo Barrier - Half height for fitment to RV drawer system, ADR Compliant | | \$685.00 | N/A |
| <p>No Trade Height option available Travel Slide Drawers available on page 181</p> | | | | |

| VEHICLE MAKE MODEL | TOYOTA HILUX Dual Cab SR, SR5 (October 1997- March 2005) - 1300x970 NO TUB LINER | TOYOTA | |
|---|---|------------|------------|
| TRADE HEIGHT DRAWERS +\$100 PER DRAWER | | | |
| PREMBLK: PREMIUM BLACK RRP +180.00 (option) | | | |
| PA: Premium Alloy PS: Premium Steel EL: EcoLite | DESCRIPTION (PRICES INCLUDE WING KIT UNLESS OTHERWISE STATED) | PS RRP | PA RRP |
| PS/PA-021001-134827-SSL | Single Drawer & Wing Kit - Standard Height to Passenger Side 1300L x 485W x 275H | \$1,460.00 | \$1,610.00 |
| PS/PA-021001-134827-SSR | Single Drawer & Wing Kit - Standard Height to Driver Side 1300L x 485W x 275H | \$1,460.00 | \$1,610.00 |
| PS/PA-021001-134836-SHL | Single Drawer & Wing Kit - Trade Height to Passenger Side 1300L x 485W x 365H | \$1,560.00 | \$1,710.00 |
| PS/PA-021001-134836-SHR | Single Drawer & Wing Kit - Trade Height to Driver Side 1300L x 485W x 365H | \$1,560.00 | \$1,710.00 |
| EL-021001-139727-TDS | EcoLite Twin Drawer & Wing Kit - Standard Height 1300L x 970W x 275H | \$2,020.00 | N/A |
| PS/PA-021001-139727-TDS | Twin Drawer & Wing Kit - Standard Height 1300L x 970W x 275H | \$2,815.00 | \$3,115.00 |
| PS/PA-021001-139736-TDH | Twin Drawer & Wing Kit - Trade Height 1300L x 970W x 365H | \$3,015.00 | \$3,315.00 |
| PS/PA-021001-139730-FDC-E/D | Fridge Drawer Combo with 30L Engel/Dometic Fitkit - 1300L x 970W x 300H **Fridge not included Liftout Hatch provided to access space behind the fridge (100mm narrower if tie downs added to top) - 483L x 431W | \$2,635.00 | \$2,785.00 |
| PS/PA-021001-139736-FDC-EK | Fridge Drawer Combo with 40L EvaKool Fitkit - 1300L x 970W x 365H **Fridge not included Liftout Hatch provided to access space behind the fridge (100mm narrower if tie downs added to top) - 483L x 560W | \$2,745.00 | \$2,895.00 |
| PS/PA-021001-139736-FDC-IM | Fridge Drawer Combo with 40L Ironman Fitkit - 1300L x 970W x 365H **Fridge not included Liftout Hatch provided to access space behind the fridge (100mm narrower if tie downs added to top) - 483L x 510W | \$2,745.00 | \$2,895.00 |
| PS/PA-021001-139736-FDC-BM | Fridge Drawer Combo with 30L Bushman Fitkit - 1300L x 970W x 365H **Fridge not included Liftout Hatch provided to access space behind the fridge (100mm narrower if tie downs added to top) - 483L x 431W | \$2,745.00 | \$2,895.00 |
| PS/PA-021001-139727-1SL | Easy Access Combo 1 & Wing Kit - Small Low Platform to Passenger Side (Gap size 485W). Single Drawer O/A 1300L x 485W x 275H. Total Combo O/A 1300L x 970W x 275H. (Suits RV-FS-1 *Not Included) | \$2,355.00 | \$2,505.00 |
| PS/PA-021001-139727-1SR | Easy Access Combo 1 & Wing Kit - Small Low Platform to Driver Side (Gap size 485W). Single Drawer O/A 1300L x 485W x 275H. Total Combo O/A 1300L x 970W x 275H. (Suits RV-FS-1 *Not Included) | \$2,355.00 | \$2,505.00 |
| PS/PA-021001-139727-1LL | Easy Access Combo 1 & Wing Kit - Large Low Platform to Passenger Side (Gap size 570W). Single Drawer O/A 1300L x 400W x 275H. Total Combo O/A 1300L x 970W x 275H. (Suits all RV-FS listed below except SO *Not Included) | \$2,355.00 | \$2,505.00 |
| PS/PA-021001-139727-1LR | Easy Access Combo 1 & Wing Kit - Large Low Platform to Driver Side (Gap size 570W). Single Drawer O/A 1300L x 400W x 275H. Total Combo O/A 1300L x 970W x 275H. (Suits all RV-FS listed below except SO *Not Included) | \$2,355.00 | \$2,505.00 |
| PS/PA-021001-131227-2SL | Easy Access Combo 2 & Wing Kit - Small Low Platform to Passenger Side (Gap size 485W). Double Stacked Drawers (Standard Height Bottom Drawer O/A 1300L x 485W x 275H, Trade Height Top Drawer O/A 1100L x 485W x 365H). Total Combo O/A 1300L x 970W x 640H. (Suits RV-FS-1 *Not Included). Optional 1100L Standard Height top drawer minus -\$100.00 | \$3,045.00 | \$3,345.00 |
| PS/PA-021001-131227-2SR | Easy Access Combo 2 & Wing Kit - Small Low Platform to Driver Side (Gap size 485W). Double Stacked Drawers (Standard Height Bottom Drawer O/A 1300L x 485W x 275H, Trade Height Top Drawer O/A 1100L x 485W x 365H). Total Combo O/A 1300L x 970W x 640H. (Suits RV-FS-1 *Not Included). Optional 1100L Standard Height top drawer minus -\$100.00 | \$3,045.00 | \$3,345.00 |
| PS/PA-021001-131227-2LL | Easy Access Combo 2 & Wing Kit - Large Low Platform to Passenger Side (Gap size 570W). Double Stacked Drawers (Standard Height Bottom Drawer O/A 1300L x 400W x 275H, Trade Height Top Drawer O/A 1100L x 400W x 365H). Total Combo O/A 1300L x 970W x 640H. (Suits all RV-FS listed below except SO *Not Included). Optional 1100L Standard Height top drawer minus -\$100.00 | \$3,045.00 | \$3,345.00 |
| PS/PA-021001-131227-2LR | Easy Access Combo 2 & Wing Kit - Large Low Platform to Driver Side (Gap size 570W). Double Stacked Drawers (Standard Height Bottom Drawer O/A 1300L x 400W x 275H, Trade Height Top Drawer O/A 1100L x 400W x 365H). Total Combo O/A 1300L x 970W x 640H. (Suits all RV-FS listed below except SO *Not Included). Optional 1100L Standard Height top drawer minus -\$100.00 | \$3,045.00 | \$3,345.00 |
| RV-EAC-IFP-1300 | Easy Access Combo INFILL PANEL - covers fridge slide cavity to create a flat solid top effect (NOTE: top drawer must be removed on EAC-2 systems) | \$224.00 | N/A |
| RV-CS-0848-00 | Cargo Shelf single - 800L Ventilated side panel and solid top shelf to fit FS-1 (small fridge space). Fits EAC-1 1300L x 970W | \$520.00 | N/A |
| RV-CS-0857-00 | Cargo Shelf single - 800L Ventilated side panel and solid top shelf to fit FS-1.5 & 2 (large fridge space). Fits EAC-1 1300L x 970W | \$520.00 | N/A |
| RV-CS-0897-00 | Cargo Shelf double - 800L Ventilated side panel and solid top shelf system. Fits EAC-2 1300L x 970W fitted with a Trade Height top | \$567.00 | N/A |
| RV-IBFS-1300-DS | Inbuilt Fridge Slide - flush fitting 1300L (Driver Side) Premium drawers only | \$472.00 | N/A |
| RV-IBFS-1300-PS | Inbuilt Fridge Slide - flush fitting 1300L (Passenger Side) Premium drawers only | \$472.00 | N/A |
| PS/PA-RV-FS-1 | Heavy Duty Fridge Slide - 750L x 455W x 80H (external incl. Travel Lock) | \$472.00 | \$522.00 |
| PS-RV-FS-1-SO | Heavy Duty Fridge Slide - 450L x 770W x 110H (external incl. Travel Lock) | \$472.00 | N/A |
| PS/PA-RV-FS-1.5 | Heavy Duty Fridge Slide - 750L x 530W x 80H (external incl. Travel Lock) | \$520.00 | \$570.00 |
| PS/PA-RV-FS-2 | Heavy Duty Fridge Slide - 850L x 560W x 80H (external incl. Travel Lock) | \$567.00 | \$617.00 |
| PS-RV-FS-2-SO | Heavy Duty Fridge Slide - 550L x 870W x 110H (external incl. Travel Lock) | \$567.00 | N/A |
| PS/PA-RV-FS-2.25 | Heavy Duty Fridge Slide - 950L x 560W x 80H (external incl. Travel Lock) | \$590.00 | \$640.00 |
| PS/PA-RV-FS-2.5 | Heavy Duty Fridge Slide - 1050L x 560W x 80H (external incl. Travel Lock) | \$685.00 | \$735.00 |
| Travel Slide Drawers available on page 181 Inbuilt Fridge Slides N/A for alloy drawers | | | |

| VEHICLE MAKE MODEL | TOYOTA HILUX Dual Cab SR J-Deck (March 2005 - 2015) - 1500x1020 NO TUB LINER | TOYOTA | |
|---|--|------------|------------|
| TRADE HEIGHT DRAWERS +\$100 PER DRAWER | | | |
| PREMBLK: PREMIUM BLACK RRP +180.00 (option) | | | |
| DESCRIPTION (PRICES INCLUDE WING KIT UNLESS OTHERWISE STATED) | | | |
| | | PS RRP | PA RRP |
| PS/PA-021003-155127-SSL | Single Drawer & Wing Kit - Standard Height to Passenger Side 1500L x 510W x 275H | \$1,540.00 | \$1,690.00 |
| PS/PA-021003-155127-SSR | Single Drawer & Wing Kit - Standard Height to Driver Side 1500L x 510W x 275H | \$1,540.00 | \$1,690.00 |
| PS/PA-021003-155136-SHL | Single Drawer & Wing Kit - Trade Height to Passenger Side 1500L x 510W x 365H | \$1,640.00 | \$1,790.00 |
| PS/PA-021003-155136-SHR | Single Drawer & Wing Kit - Trade Height to Driver Side 1500L x 510W x 365H | \$1,640.00 | \$1,790.00 |
| EL-021003-151227-TDS | EcoLite Twin Drawer & Wing Kit - Standard Height 1500L x 1020W x 275H | \$2,150.00 | N/A |
| PS/PA-021003-151227-TDS | Twin Drawer & Wing Kit - Standard Height 1500L x 1020W x 275H | \$2,980.00 | \$3,280.00 |
| PS-021003-151236-TDH | Twin Drawer & Wing Kit - Trade Height 1500L x 1020W x 365H | \$3,180.00 | N/A |
| PS/PA-021003-151230-FDC-E/D | Fridge Drawer Combo with 30L Engel/Dometic Fitkit - 1500L x 1020W x 300H **Fridge not included Liftout Hatch provided to access space behind the fridge (100mm narrower if tie downs added to top) - 683L x 431W | \$2,770.00 | \$2,920.00 |
| PS/PA-021003-151236-FDC-EK | Fridge Drawer Combo with 40L EvaKool Fitkit - 1500L x 1020W x 365H **Fridge not included Liftout Hatch provided to access space behind the fridge (100mm narrower if tie downs added to top) - 683L x 560W | \$2,880.00 | \$3,030.00 |
| PS/PA-021003-151236-FDC-IM | Fridge Drawer Combo with 40L Ironman Fitkit - 1500L x 1020W x 365H **Fridge not included Liftout Hatch provided to access space behind the fridge (100mm narrower if tie downs added to top) - 683L x 510W | \$2,880.00 | \$3,030.00 |
| PS/PA-021003-151236-FDC-BM | Fridge Drawer Combo with 30L Bushman Fitkit - 1500L x 1020W x 365H **Fridge not included Liftout Hatch provided to access space behind the fridge (100mm narrower if tie downs added to top) - 683L x 431W | \$2,880.00 | \$3,030.00 |
| PS/PA-021003-151227-1SL | Easy Access Combo 1 & Wing Kit - Small Low Platform to Passenger Side (Gap size 510W). Single Drawer O/A 1500L x 510W x 275H. Total Combo O/A 1500L x 1020W x 275H. (Suits RV-FS-1 or 3 *Not Included) | \$2,465.00 | \$2,615.00 |
| PS/PA-021003-151227-1SR | Easy Access Combo 1 & Wing Kit - Small Low Platform to Driver Side (Gap size 510W). Single Drawer O/A 1500L x 510W x 275H. Total Combo O/A 1500L x 1020W x 275H. (Suits RV-FS-1 or 3 *Not Included) | \$2,465.00 | \$2,615.00 |
| PS/PA-021003-151227-1LL | Easy Access Combo 1 & Wing Kit - Large Low Platform to Passenger Side (Gap size 570W). Single Drawer O/A 1500L x 450W x 275H. Total Combo O/A 1500L x 1020W x 275H. (Suits all RV-FS listed below except SO *Not Included) | \$2,465.00 | \$2,615.00 |
| PS/PA-021003-151227-1LR | Easy Access Combo 1 & Wing Kit - Large Low Platform to Driver Side (Gap size 570W). Single Drawer O/A 1500L x 450W x 275H. Total Combo O/A 1500L x 1020W x 275H. (Suits all RV-FS listed below except SO *Not Included) | \$2,465.00 | \$2,615.00 |
| PS/PA-021003-151227-2SL | Easy Access Combo 2 & Wing Kit - Small Low Platform to Passenger Side (Gap size 510W). Double Stacked Drawers (Standard Height Bottom Drawer O/A 1500L x 510W x 275H, Trade Height Top Drawer O/A 1100L x 510W x 365H). Total Combo O/A 1500L x 1020W x 640H. (Suits RV-FS-1 or 3 *Not Included). Optional 1100L Standard Height top drawer minus -\$100.00 | \$3,210.00 | \$3,510.00 |
| PS/PA-021003-151227-2SR | Easy Access Combo 2 & Wing Kit - Small Low Platform to Driver Side (Gap size 510W). Double Stacked Drawers (Standard Height Bottom Drawer O/A 1500L x 510W x 275H, Trade Height Top Drawer O/A 1100L x 510W x 365H). Total Combo O/A 1500L x 1020W x 640H. (Suits RV-FS-1 or 3 *Not Included). Optional 1100L Standard Height top drawer minus -\$100.00 | \$3,210.00 | \$3,510.00 |
| PS/PA-021003-151227-2LL | Easy Access Combo 2 & Wing Kit - Large Low Platform to Passenger Side (Gap size 570W). Double Stacked Drawers (Standard Height Bottom Drawer O/A 1500L x 450W x 275H, Trade Height Top Drawer O/A 1100L x 450W x 365H). Total Combo O/A 1500L x 1020W x 640H. (Suits all RV-FS listed below except SO *Not Included). Optional 1100L Standard Height top drawer minus -\$100.00 | \$3,210.00 | \$3,510.00 |
| PS/PA-021003-151227-2LR | Easy Access Combo 2 & Wing Kit - Large Low Platform to Driver Side (Gap size 570W). Double Stacked Drawers (Standard Height Bottom Drawer O/A 1500L x 450W x 275H, Trade Height Top Drawer O/A 1100L x 450W x 365H). Total Combo O/A 1500L x 1020W x 640H. (Suits all RV-FS listed below except SO *Not Included). Optional 1100L Standard Height top drawer minus -\$100.00 | \$3,210.00 | \$3,510.00 |
| RV-EAC-IFP-1500 | Easy Access Combo INFILL PANEL - covers fridge slide cavity to create a flat solid top effect (NOTE: top drawer must be removed on EAC-2 systems) | \$224.00 | N/A |
| RV-CS-1451-00 | Cargo Shelf single - 1400L Ventilated side panel and solid top shelf to fit FS-1 (small fridge space) Suits EAC-1 1400L x 1020W | \$803.00 | N/A |
| RV-CS-1457-00 | Cargo Shelf single - 1400L Ventilated side panel and solid top shelf to fit FS1.5 & FS-2 (large fridge space) Suits EAC-1 1400L x 1020W | \$803.00 | N/A |
| RV-CS-0812-00 | Cargo Shelf double - 800L Ventilated side panel and solid top shelf system. Fits EAC-2 1400L x 1020W fitted with a Trade Height top | \$567.00 | N/A |
| RV-IBFS-1300-DS | Inbuilt Fridge Slide - flush fitting 1300L (Driver Side) <i>Premium drawers only</i> | \$472.00 | N/A |
| RV-IBFS-1300-PS | Inbuilt Fridge Slide - flush fitting 1300L (Passenger Side) <i>Premium drawers only</i> | \$472.00 | N/A |
| PS/PA-RV-FS-1 | Heavy Duty Fridge Slide - 750L x 455W x 80H (external incl. Travel Lock) | \$472.00 | \$522.00 |
| PS-RV-FS-1-SO | Heavy Duty Fridge Slide - 450L x 770W x 110H (external incl. Travel Lock) | \$472.00 | N/A |
| PS/PA-RV-FS-1.5 | Heavy Duty Fridge Slide - 750L x 530W x 80H (external incl. Travel Lock) | \$520.00 | \$570.00 |
| PS/PA-RV-FS-2 | Heavy Duty Fridge Slide - 850L x 560W x 80H (external incl. Travel Lock) | \$567.00 | \$617.00 |
| PS-RV-FS-2-SO | Heavy Duty Fridge Slide - 550L x 870W x 110H (external incl. Travel Lock) | \$567.00 | N/A |
| PS/PA-RV-FS-2.25 | Heavy Duty Fridge Slide - 950L x 560W x 80H (external incl. Travel Lock) | \$590.00 | \$640.00 |
| PS/PA-RV-FS-2.5 | Heavy Duty Fridge Slide - 1050L x 560W x 80H (external incl. Travel Lock) | \$685.00 | \$735.00 |
| PS/PA-RV-FS-3 | Heavy Duty Fridge Slide - 1410L x 455W x 80H (external incl. Travel Lock) | \$886.00 | \$961.00 |
| PS/PA-RV-FS-3.5 | Heavy Duty Fridge Slide - 1410L x 560W x 80H (external incl. Travel Lock) | \$886.00 | \$961.00 |

Travel Slide Drawers available on page 181
Inbuilt Fridge Slides N/A for alloy drawers

| VEHICLE MAKE MODEL | TOYOTA HILUX Dual Cab SR5 A-Deck (March 2005 - Oct 2009) - 1500x1020 Dual Cab SR5 A-Deck (March 2009 - Oct 2015) incl. 2009 facelift model NO TUB LINER | | |
|---|---|------------|------------|
| PA: Premium Alloy PS: Premium Steel EL: EcoLite | TRADE HEIGHT DRAWERS +\$100 PER DRAWER PREMBLK: PREMIUM BLACK RRP +180.00 (option) | | |
| | DESCRIPTION (PRICES INCLUDE WING KIT UNLESS OTHERWISE STATED) | PS RRP | PA RRP |
| PS/PA-021004-155127-SSL | Single Drawer & Wing Kit - Standard Height to Passenger Side 1500L x 510W x 275H | \$1,540.00 | \$1,690.00 |
| PS/PA-021004-155127-SSR | Single Drawer & Wing Kit - Standard Height to Driver Side 1500L x 510W x 275H | \$1,540.00 | \$1,690.00 |
| PS/PA-021004-155136-SHL | Single Drawer & Wing Kit - Trade Height to Passenger Side 1500L x 510W x 365H | \$1,640.00 | \$1,790.00 |
| PS/PA-021004-155136-SHR | Single Drawer & Wing Kit - Trade Height to Driver Side 1500L x 510W x 365H | \$1,640.00 | \$1,790.00 |
| EL-021004-151227-TDS | EcoLite Twin Drawer & Wing Kit - Standard Height 1500L x 1020W x 275H | \$2,150.00 | N/A |
| PS/PA-021004-151227-TDS | Twin Drawer & Wing Kit - Standard Height 1500L x 1020W x 275H | \$2,980.00 | \$3,280.00 |
| PS-021004-151236-TDH | Twin Drawer & Wing Kit - Trade Height 1500L x 1020W x 365H | \$3,180.00 | N/A |
| PS/PA-021004-151230-FDC-E/D | Fridge Drawer Combo with 30L Engel/Dometic Fitkit - 1500L x 1020W x 300H **Fridge not included Liftout Hatch provided to access space behind the fridge (100mm narrower if tie downs added to top) - 683L x 431W | \$2,770.00 | \$2,920.00 |
| PS/PA-021004-151236-FDC-EK | Fridge Drawer Combo with 40L EvaKool Fitkit - 1500L x 1020W x 365H **Fridge not included Liftout Hatch provided to access space behind the fridge (100mm narrower if tie downs added to top) - 683L x 560W | \$2,880.00 | \$3,030.00 |
| PS/PA-021004-151236-FDC-IM | Fridge Drawer Combo with 40L Ironman Fitkit - 1500L x 1020W x 365H **Fridge not included Liftout Hatch provided to access space behind the fridge (100mm narrower if tie downs added to top) - 683L x 510W | \$2,880.00 | \$3,030.00 |
| PS/PA-021004-151236-FDC-BM | Fridge Drawer Combo with 30L Bushman Fitkit - 1500L x 1020W x 365H **Fridge not included Liftout Hatch provided to access space behind the fridge (100mm narrower if tie downs added to top) - 683L x 431W | \$2,880.00 | \$3,030.00 |
| PS/PA-021004-151227-1SL | Easy Access Combo 1 & Wing Kit - Small Low Platform to Passenger Side (Gap size 510W). Single Drawer O/A 1500L x 510W x 275H. Total Combo O/A 1500L x 1020W x 275H. (Suits RV-FS-1 or 3 *Not Included) | \$2,465.00 | \$2,615.00 |
| PS/PA-021004-151227-1SR | Easy Access Combo 1 & Wing Kit - Small Low Platform to Driver Side (Gap size 510W). Single Drawer O/A 1500L x 510W x 275H. Total Combo O/A 1500L x 1020W x 275H. (Suits RV-FS-1 or 3 *Not Included) | \$2,465.00 | \$2,615.00 |
| PS/PA-021004-151227-1LL | Easy Access Combo 1 & Wing Kit - Large Low Platform to Passenger Side (Gap size 570W). Single Drawer O/A 1500L x 450W x 275H. Total Combo O/A 1500L x 1020W x 275H. (Suits all RV-FS listed below except SO *Not Included) | \$2,465.00 | \$2,615.00 |
| PS/PA-021004-151227-1LR | Easy Access Combo 1 & Wing Kit - Large Low Platform to Driver Side (Gap size 570W). Single Drawer O/A 1500L x 450W x 275H. Total Combo O/A 1500L x 1020W x 275H. (Suits all RV-FS listed below except SO *Not Included) | \$2,465.00 | \$2,615.00 |
| PS/PA-021004-151227-2SL | Easy Access Combo 2 & Wing Kit - Small Low Platform to Passenger Side (Gap size 510W). Double Stacked Drawers (Standard Height Bottom Drawer O/A 1500L x 510W x 275H, Trade Height Top Drawer O/A 1100L x 510W x 365H). Total Combo O/A 1500L x 1020W x 640H. (Suits RV-FS-1 or 3 *Not Included). Optional 1100L Standard Height top drawer minus -\$100.00 | \$3,210.00 | \$3,510.00 |
| PS/PA-021004-151227-2SR | Easy Access Combo 2 & Wing Kit - Small Low Platform to Driver Side (Gap size 510W). Double Stacked Drawers (Standard Height Bottom Drawer O/A 1500L x 510W x 275H, Trade Height Top Drawer O/A 1100L x 510W x 365H). Total Combo O/A 1500L x 1020W x 640H. (Suits RV-FS-1 or 3 *Not Included). Optional 1100L Standard Height top drawer minus -\$100.00 | \$3,210.00 | \$3,510.00 |
| PS/PA-021004-151227-2LL | Easy Access Combo 2 & Wing Kit - Large Low Platform to Passenger Side (Gap size 570W). Double Stacked Drawers (Standard Height Bottom Drawer O/A 1500L x 450W x 275H, Trade Height Top Drawer O/A 1100L x 450W x 365H). Total Combo O/A 1500L x 1020W x 640H. (Suits all RV-FS listed below except SO *Not Included). Optional 1100L Standard Height top drawer minus -\$100.00 | \$3,210.00 | \$3,510.00 |
| PS/PA-021004-151227-2LR | Easy Access Combo 2 & Wing Kit - Large Low Platform to Driver Side (Gap size 570W). Double Stacked Drawers (Standard Height Bottom Drawer O/A 1500L x 450W x 275H, Trade Height Top Drawer O/A 1100L x 450W x 365H). Total Combo O/A 1500L x 1020W x 640H. (Suits all RV-FS listed below except SO *Not Included). Optional 1100L Standard Height top drawer minus -\$100.00 | \$3,210.00 | \$3,510.00 |
| RV-EAC-IFP-1500 | Easy Access Combo INFILL PANEL - covers fridge slide cavity to create a flat solid top effect (NOTE: top drawer must be removed on EAC-2 systems) | \$224.00 | N/A |
| RV-CS-1451-00 | Cargo Shelf single - 1400L Ventilated side panel and solid top shelf to fit FS-1 (small fridge space) Suits EAC-1 1400L x 1020W | \$803.00 | N/A |
| RV-CS-1457-00 | Cargo Shelf single - 1400L Ventilated side panel and solid top shelf to fit FS1.5 & FS-2 (large fridge space) Suits EAC-1 1400L x 1020W | \$803.00 | N/A |
| RV-CS-0812-00 | Cargo Shelf double - 800L Ventilated side panel and solid top shelf system. Fits EAC-2 1400L x 1020W fitted with a Trade Height top | \$567.00 | N/A |
| RV-IBFS-1300-DS | Inbuilt Fridge Slide - flush fitting 1300L (Driver Side) Premium drawers only | \$472.00 | N/A |
| RV-IBFS-1300-PS | Inbuilt Fridge Slide - flush fitting 1300L (Passenger Side) Premium drawers only | \$472.00 | N/A |
| PS/PA-RV-FS-1 | Heavy Duty Fridge Slide - 750L x 455W x 80H (external incl. Travel Lock) | \$472.00 | \$522.00 |
| PS-RV-FS-1-SO | Heavy Duty Fridge Slide - 450L x 770W x 110H (external incl. Travel Lock) | \$472.00 | N/A |
| PS/PA-RV-FS-1.5 | Heavy Duty Fridge Slide - 750L x 530W x 80H (external incl. Travel Lock) | \$520.00 | \$570.00 |
| PS/PA-RV-FS-2 | Heavy Duty Fridge Slide - 850L x 560W x 80H (external incl. Travel Lock) | \$567.00 | \$617.00 |
| PS-RV-FS-2-SO | Heavy Duty Fridge Slide - 550L x 870W x 110H (external incl. Travel Lock) | \$567.00 | N/A |
| PS/PA-RV-FS-2.25 | Heavy Duty Fridge Slide - 950L x 560W x 80H (external incl. Travel Lock) | \$590.00 | \$640.00 |
| PS/PA-RV-FS-2.5 | Heavy Duty Fridge Slide - 1050L x 560W x 80H (external incl. Travel Lock) | \$685.00 | \$735.00 |
| PS/PA-RV-FS-3 | Heavy Duty Fridge Slide - 1410L x 455W x 80H (external incl. Travel Lock) | \$886.00 | \$961.00 |
| PS/PA-RV-FS-3.5 | Heavy Duty Fridge Slide - 1410L x 560W x 80H (external incl. Travel Lock) | \$886.00 | \$961.00 |

Travel Slide Drawers available on page 181
 Inbuilt Fridge Slides N/A for alloy drawers

| VEHICLE MAKE MODEL | TOYOTA HILUX Dual Cab SR, SR5 (March 2005 - Oct 2015) - 1400x1020 GENUINE TUB LINER | TOYOTA | |
|---|--|------------|------------|
| TRADE HEIGHT DRAWERS +\$100 PER DRAWER | | | |
| PREMLBK: PREMIUM BLACK RRP +180.00 (option) | | | |
| PA: Premium Alloy PS: Premium Steel EL: EcoLite | DESCRIPTION (PRICES INCLUDE WING KIT UNLESS OTHERWISE STATED) | PS RRP | PA RRP |
| PS/PA-021006-145127-SSL | Single Drawer & Wing Kit - Standard Height to Passenger Side 1400L x 510W x 275H | \$1,485.00 | \$1,635.00 |
| PS/PA-021006-145127-SSR | Single Drawer & Wing Kit - Standard Height to Driver Side 1400L x 510W x 275H | \$1,485.00 | \$1,635.00 |
| PS/PA-021006-145136-SHL | Single Drawer & Wing Kit - Trade Height to Passenger Side 1400L x 510W x 365H | \$1,585.00 | \$1,735.00 |
| PS/PA-021006-145136-SHR | Single Drawer & Wing Kit - Trade Height to Driver Side 1400L x 510W x 365H | \$1,585.00 | \$1,735.00 |
| EL-021006-141227-TDS | EcoLite Twin Drawer & Wing Kit - Standard Height 1400L x 1020W x 275H | \$2,080.00 | N/A |
| PS/PA-021006-141227-TDS | Twin Drawer & Wing Kit - Standard Height 1400L x 1020W x 275H | \$2,870.00 | \$3,170.00 |
| PS/PA-021006-141236-TDH | Twin Drawer & Wing Kit - Trade Height 1400L x 1020W x 365H | \$3,070.00 | \$3,370.00 |
| PS/PA-021006-141230-FDC-E/D | Fridge Drawer Combo with 30L Engel/Dometic Fitkit - 1400L x 1020W x 300H **Fridge not included Liftout Hatch provided to access space behind the fridge (100mm narrower if tie downs added to top) - 583L x 431W | \$2,690.00 | \$2,840.00 |
| PS/PA-021006-141236-FDC-EK | Fridge Drawer Combo with 40L EvaKool Fitkit - 1400L x 1020W x 365H **Fridge not included Liftout Hatch provided to access space behind the fridge (100mm narrower if tie downs added to top) - 583L x 560W | \$2,800.00 | \$2,950.00 |
| PS/PA-021006-141236-FDC-IM | Fridge Drawer Combo with 40L Ironman Fitkit - 1400L x 1020W x 365H **Fridge not included Liftout Hatch provided to access space behind the fridge (100mm narrower if tie downs added to top) - 583L x 510W | \$2,800.00 | \$2,950.00 |
| PS/PA-021006-141236-FDC-BM | Fridge Drawer Combo with 30L Bushman Fitkit - 1400L x 1020W x 365H **Fridge not included Liftout Hatch provided to access space behind the fridge (100mm narrower if tie downs added to top) - 583L x 431W | \$2,800.00 | \$2,950.00 |
| PS/PA-021006-141227-1SL | Easy Access Combo 1 & Wing Kit - Small Low Platform to Passenger Side (Gap size 510W). Single Drawer O/A 1400L x 510W x 275H. Total Combo O/A 1400L x 1020W x 275H. (Suits RV-FS-1 or 3 *Not Included) | \$2,410.00 | \$2,560.00 |
| PS/PA-021006-141227-1SR | Easy Access Combo 1 & Wing Kit - Small Low Platform to Driver Side (Gap size 510W). Single Drawer O/A 1400L x 510W x 275H. Total Combo O/A 1400L x 1020W x 275H. (Suits RV-FS-1 or 3 *Not Included) | \$2,410.00 | \$2,560.00 |
| PS/PA-021006-141227-1LL | Easy Access Combo 1 & Wing Kit - Large Low Platform to Passenger Side (Gap size 570W). Single Drawer O/A 1400L x 450W x 275H. Total Combo O/A 1400L x 1020W x 275H. (Suits all RV-FS listed below except SO *Not Included) | \$2,410.00 | \$2,560.00 |
| PS/PA-021006-141227-1LR | Easy Access Combo 1 & Wing Kit - Large Low Platform to Driver Side (Gap size 570W). Single Drawer O/A 1400L x 450W x 275H. Total Combo O/A 1400L x 1020W x 275H. (Suits all RV-FS listed below except SO *Not Included) | \$2,410.00 | \$2,560.00 |
| PS/PA-021006-141227-2SL | Easy Access Combo 2 & Wing Kit - Small Low Platform to Passenger Side (Gap size 510W). Double Stacked Drawers (Standard Height Bottom Drawer O/A 1400L x 510W x 275H, Trade Height Top Drawer O/A 1100L x 510W x 365H). Total Combo O/A 1400L x 1020W x 640H. (Suits RV-FS-1 or 3 *Not Included). Optional 1100L Standard Height top drawer minus -\$100.00 | \$3,100.00 | \$3,400.00 |
| PS/PA-021006-141227-2SR | Easy Access Combo 2 & Wing Kit - Small Low Platform to Driver Side (Gap size 510W). Double Stacked Drawers (Standard Height Bottom Drawer O/A 1400L x 510W x 275H, Trade Height Top Drawer O/A 1100L x 510W x 365H). Total Combo O/A 1400L x 1020W x 640H. (Suits RV-FS-1 or 3 *Not Included). Optional 1100L Standard Height top drawer minus -\$100.00 | \$3,100.00 | \$3,400.00 |
| PS/PA-021006-141227-2LL | Easy Access Combo 2 & Wing Kit - Large Low Platform to Passenger Side (Gap size 570W). Double Stacked Drawers (Standard Height Bottom Drawer O/A 1400L x 450W x 275H, Trade Height Top Drawer O/A 1100L x 450W x 365H). Total Combo O/A 1400L x 1020W x 640H. (Suits all RV-FS listed below except SO *Not Included). Optional 1100L Standard Height top drawer minus -\$100.00 | \$3,100.00 | \$3,400.00 |
| PS/PA-021006-141227-2LR | Easy Access Combo 2 & Wing Kit - Large Low Platform to Driver Side (Gap size 570W). Double Stacked Drawers (Standard Height Bottom Drawer O/A 1400L x 450W x 275H, Trade Height Top Drawer O/A 1100L x 450W x 365H). Total Combo O/A 1400L x 1020W x 640H. (Suits all RV-FS listed below except SO *Not Included). Optional 1100L Standard Height top drawer minus -\$100.00 | \$3,100.00 | \$3,400.00 |
| RV-EAC-IFP-1400 | Easy Access Combo INFILL PANEL - covers fridge slide cavity to create a flat solid top effect (NOTE: top drawer must be removed on EAC-2 systems) | \$224.00 | N/A |
| RV-CS-1451-00 | Cargo Shelf single - 1400L Ventilated side panel and solid top shelf to fit FS-1 (small fridge space) Suits EAC-1 1400L x 1020W | \$803.00 | N/A |
| RV-CS-1457-00 | Cargo Shelf single - 1400L Ventilated side panel and solid top shelf to fit FS1.5 & FS-2 (large fridge space) Suits EAC-1 1400L x 1020W | \$803.00 | N/A |
| RV-CS-0812-00 | Cargo Shelf double - 800L Ventilated side panel and solid top shelf system. Fits EAC-2 1400L x 1020W fitted with a Trade Height top | \$567.00 | N/A |
| RV-IBFS-1300-DS | Inbuilt Fridge Slide - flush fitting 1300L (Driver Side) <i>Premium drawers only</i> | \$472.00 | N/A |
| RV-IBFS-1300-PS | Inbuilt Fridge Slide - flush fitting 1300L (Passenger Side) <i>Premium drawers only</i> | \$472.00 | N/A |
| PS/PA-RV-FS-1 | Heavy Duty Fridge Slide - 750L x 455W x 80H (external incl. Travel Lock) | \$472.00 | \$522.00 |
| PS-RV-FS-1-SO | Heavy Duty Fridge Slide - 450L x 770W x 110H (external incl. Travel Lock) | \$472.00 | N/A |
| PS/PA-RV-FS-1.5 | Heavy Duty Fridge Slide - 750L x 530W x 80H (external incl. Travel Lock) | \$520.00 | \$570.00 |
| PS/PA-RV-FS-2 | Heavy Duty Fridge Slide - 850L x 560W x 80H (external incl. Travel Lock) | \$567.00 | \$617.00 |
| PS-RV-FS-2-SO | Heavy Duty Fridge Slide - 550L x 870W x 110H (external incl. Travel Lock) | \$567.00 | N/A |
| PS/PA-RV-FS-2.25 | Heavy Duty Fridge Slide - 950L x 560W x 80H (external incl. Travel Lock) | \$590.00 | \$640.00 |
| PS/PA-RV-FS-2.5 | Heavy Duty Fridge Slide - 1050L x 560W x 80H (external incl. Travel Lock) | \$685.00 | \$735.00 |
| PS/PA-RV-FS-3 | Heavy Duty Fridge Slide - 1410L x 455W x 80H (external incl. Travel Lock) | \$886.00 | \$961.00 |
| PS/PA-RV-FS-3.5 | Heavy Duty Fridge Slide - 1410L x 560W x 80H (external incl. Travel Lock) | \$886.00 | \$961.00 |

Travel Slide Drawers available on page 181
Inbuilt Fridge Slides N/A for alloy drawers

| VEHICLE MAKE MODEL | | TOYOTA HILUX Dual Cab SR, SR5 (Oct 2015 +) - 1500x1020 NO TUB LINER | | |
|---|---|---|------------|--|
| PA: Premium Alloy PS: Premium Steel EL: EcoLite | TRADE HEIGHT DRAWERS +\$100 PER DRAWER | | | |
| | PREMLBK: PREMIUM BLACK RRP +180.00 (option) | | | |
| | DESCRIPTION (PRICES INCLUDE WING KIT UNLESS OTHERWISE STATED) | PS RRP | PA RRP | |
| PS/PA-021010-155127-SSL | Single Drawer & Wing Kit - Standard Height to Passenger Side 1500L x 510W x 275H | \$1,540.00 | \$1,690.00 | |
| PS/PA-021010-155127-SSR | Single Drawer & Wing Kit - Standard Height to Driver Side 1500L x 510W x 275H | \$1,540.00 | \$1,690.00 | |
| PS/PA-021010-155136-SHL | Single Drawer & Wing Kit - Trade Height to Passenger Side 1500L x 510W x 365H | \$1,640.00 | \$1,790.00 | |
| PS/PA-021010-155136-SHR | Single Drawer & Wing Kit - Trade Height to Driver Side 1500L x 510W x 365H | \$1,640.00 | \$1,790.00 | |
| EL-021010-151227-TDS | EcoLite Twin Drawer & Wing Kit - Standard Height 1500L x 1020W x 275H | \$2,150.00 | N/A | |
| PS/PA-021010-151227-TDS | Twin Drawer & Wing Kit - Standard Height 1500L x 1020W x 275H | \$2,980.00 | \$3,280.00 | |
| PS-021010-151236-TDH | Twin Drawer & Wing Kit - Trade Height 1500L x 1020W x 365H | \$3,180.00 | N/A | |
| PS/PA-021010-151230-FDC-E/D | Fridge Drawer Combo with 30L Engel/Dometic Fitkit - 1500L x 1020W x 300H **Fridge not included Liftout Hatch provided to access space behind the fridge (100mm narrower if tie downs added to top) - 683L x 431W | \$2,770.00 | \$2,920.00 | |
| PS/PA-021010-151236-FDC-EK | Fridge Drawer Combo with 40L EvaKool Fitkit - 1500L x 1020W x 365H **Fridge not included Liftout Hatch provided to access space behind the fridge (100mm narrower if tie downs added to top) - 683L x 560W | \$2,880.00 | \$3,030.00 | |
| PS/PA-021010-151236-FDC-IM | Fridge Drawer Combo with 40L Ironman Fitkit - 1500L x 1020W x 365H **Fridge not included Liftout Hatch provided to access space behind the fridge (100mm narrower if tie downs added to top) - 683L x 510W | \$2,880.00 | \$3,030.00 | |
| PS/PA-021010-151236-FDC-BM | Fridge Drawer Combo with 30L Bushman Fitkit - 1500L x 1020W x 365H **Fridge not included Liftout Hatch provided to access space behind the fridge (100mm narrower if tie downs added to top) - 683L x 431W | \$2,880.00 | \$3,030.00 | |
| PS/PA-021010-151227-1SL | Easy Access Combo 1 & Wing Kit - Small Low Platform to Passenger Side (Gap size 510W). Single Drawer O/A 1500L x 510W x 275H. Total Combo O/A 1500L x 1020W x 275H. (Suits RV-FS-1 or 3 *Not Included) | \$2,465.00 | \$2,615.00 | |
| PS/PA-021010-151227-1SR | Easy Access Combo 1 & Wing Kit - Small Low Platform to Driver Side (Gap size 510W). Single Drawer O/A 1500L x 510W x 275H. Total Combo O/A 1500L x 1020W x 275H. (Suits RV-FS-1 or 3 *Not Included) | \$2,465.00 | \$2,615.00 | |
| PS/PA-021010-151227-1LL | Easy Access Combo 1 & Wing Kit - Large Low Platform to Passenger Side (Gap size 570W). Single Drawer O/A 1500L x 450W x 275H. Total Combo O/A 1500L x 1020W x 275H. (Suits all RV-FS listed below except SO *Not Included) | \$2,465.00 | \$2,615.00 | |
| PS/PA-021010-151227-1LR | Easy Access Combo 1 & Wing Kit - Large Low Platform to Driver Side (Gap size 570W). Single Drawer O/A 1500L x 450W x 275H. Total Combo O/A 1500L x 1020W x 275H. (Suits all RV-FS listed below except SO *Not Included) | \$2,465.00 | \$2,615.00 | |
| PS/PA-021010-151227-2SL | Easy Access Combo 2 & Wing Kit - Small Low Platform to Passenger Side (Gap size 510W). Double Stacked Drawers (Standard Height Bottom Drawer O/A 1500L x 510W x 275H, Trade Height Top Drawer O/A 1100L x 510W x 365H). Total Combo O/A 1500L x 1020W x 640H. (Suits RV-FS-1 or 3 *Not Included). Optional 1100L Standard Height top drawer minus -\$100.00 | \$3,210.00 | \$3,510.00 | |
| PS/PA-021010-151227-2SR | Easy Access Combo 2 & Wing Kit - Small Low Platform to Driver Side (Gap size 510W). Double Stacked Drawers (Standard Height Bottom Drawer O/A 1500L x 510W x 275H, Trade Height Top Drawer O/A 1100L x 510W x 365H). Total Combo O/A 1500L x 1020W x 640H. (Suits RV-FS-1 or 3 *Not Included). Optional 1100L Standard Height top drawer minus -\$100.00 | \$3,210.00 | \$3,510.00 | |
| PS/PA-021010-151227-2LL | Easy Access Combo 2 & Wing Kit - Large Low Platform to Passenger Side (Gap size 570W). Double Stacked Drawers (Standard Height Bottom Drawer O/A 1500L x 450W x 275H, Trade Height Top Drawer O/A 1100L x 450W x 365H). Total Combo O/A 1500L x 1020W x 640H. (Suits all RV-FS listed below except SO *Not Included). Optional 1100L Standard Height top drawer minus -\$100.00 | \$3,210.00 | \$3,510.00 | |
| PS/PA-021010-151227-2LR | Easy Access Combo 2 & Wing Kit - Large Low Platform to Driver Side (Gap size 570W). Double Stacked Drawers (Standard Height Bottom Drawer O/A 1500L x 450W x 275H, Trade Height Top Drawer O/A 1100L x 450W x 365H). Total Combo O/A 1500L x 1020W x 640H. (Suits all RV-FS listed below except SO *Not Included). Optional 1100L Standard Height top drawer minus -\$100.00 | \$3,210.00 | \$3,510.00 | |
| RV-EAC-IFP-1500 | Easy Access Combo INFILL PANEL - covers fridge slide cavity to create a flat solid top effect (NOTE: top drawer must be removed on EAC-2 systems) | \$224.00 | N/A | |
| RV-CS-1451-00 | Cargo Shelf single - 1400L Ventilated side panel and solid top shelf to fit FS-1 (small fridge space) Suits EAC-1 1400L x 1020W | \$803.00 | N/A | |
| RV-CS-1457-00 | Cargo Shelf single - 1400L Ventilated side panel and solid top shelf to fit FS1.5 & FS-2 (large fridge space) Suits EAC-1 1400L x 1020W | \$803.00 | N/A | |
| RV-CS-0812-00 | Cargo Shelf double - 800L Ventilated side panel and solid top shelf system. Fits EAC-2 1400L x 1020W fitted with a Trade Height top | \$567.00 | N/A | |
| RV-IBFS-1300-DS | Inbuilt Fridge Slide - flush fitting 1300L (Driver Side) Premium drawers only | \$472.00 | N/A | |
| RV-IBFS-1300-PS | Inbuilt Fridge Slide - flush fitting 1300L (Passenger Side) Premium drawers only | \$472.00 | N/A | |
| PS/PA-RV-FS-1 | Heavy Duty Fridge Slide - 750L x 455W x 80H (external incl. Travel Lock) | \$472.00 | \$522.00 | |
| PS-RV-FS-1-SO | Heavy Duty Fridge Slide - 450L x 770W x 110H (external incl. Travel Lock) | \$472.00 | N/A | |
| PS/PA-RV-FS-1.5 | Heavy Duty Fridge Slide - 750L x 530W x 80H (external incl. Travel Lock) | \$520.00 | \$570.00 | |
| PS/PA-RV-FS-2 | Heavy Duty Fridge Slide - 850L x 560W x 80H (external incl. Travel Lock) | \$567.00 | \$617.00 | |
| PS-RV-FS-2-SO | Heavy Duty Fridge Slide - 550L x 870W x 110H (external incl. Travel Lock) | \$567.00 | N/A | |
| PS/PA-RV-FS-2.25 | Heavy Duty Fridge Slide - 950L x 560W x 80H (external incl. Travel Lock) | \$590.00 | \$640.00 | |
| PS/PA-RV-FS-2.5 | Heavy Duty Fridge Slide - 1050L x 560W x 80H (external incl. Travel Lock) | \$685.00 | \$735.00 | |
| PS/PA-RV-FS-3 | Heavy Duty Fridge Slide - 1410L x 455W x 80H (external incl. Travel Lock) | \$886.00 | \$961.00 | |
| PS/PA-RV-FS-3.5 | Heavy Duty Fridge Slide - 1410L x 560W x 80H (external incl. Travel Lock) | \$886.00 | \$961.00 | |

Travel Slide Drawers available on page 181
Inbuilt Fridge Slides N/A for alloy drawers

| VEHICLE MAKE MODEL | | TOYOTA HILUX Dual Cab SR, SR5 (Oct 2015+) - 1400x1020 GENUINE OVER RAIL LINER | | |
|---|--|---|------------|--|
| PA: Premium Alloy PS: Premium Steel EL: EcoLite | TRADE HEIGHT DRAWERS +\$100 PER DRAWER | | | |
| | PREMLBK: PREMIUM BLACK RRP +180.00 (option) | | | |
| | DESCRIPTION (PRICES INCLUDE WING KIT UNLESS OTHERWISE STATED) | PS RRP | PA RRP | |
| PS/PA-021011-145127-SSL | Single Drawer & Wing Kit - Standard Height to Passenger Side 1400L x 510W x 275H | \$1,485.00 | \$1,635.00 | |
| PS/PA-021011-145127-SSR | Single Drawer & Wing Kit - Standard Height to Driver Side 1400L x 510W x 275H | \$1,485.00 | \$1,635.00 | |
| PS/PA-021011-145136-SHL | Single Drawer & Wing Kit - Trade Height to Passenger Side 1400L x 510W x 365H | \$1,585.00 | \$1,735.00 | |
| PS/PA-021011-145136-SHR | Single Drawer & Wing Kit - Trade Height to Driver Side 1400L x 510W x 365H | \$1,585.00 | \$1,735.00 | |
| EL-021011-141227-TDS | EcoLite Twin Drawer & Wing Kit - Standard Height 1400L x 1020W x 275H | \$2,080.00 | N/A | |
| PS/PA-021011-141227-TDS | Twin Drawer & Wing Kit - Standard Height 1400L x 1020W x 275H | \$2,870.00 | \$3,170.00 | |
| PS/PA-021011-141236-TDH | Twin Drawer & Wing Kit - Trade Height 1400L x 1020W x 365H | \$3,070.00 | \$3,370.00 | |
| PS/PA-021011-141230-FDC-E/D | Fridge Drawer Combo with 30L Engel/Dometic Fitkit - 1400L x 1020W x 300H **Fridge not included Liftout Hatch provided to access space behind the fridge (100mm narrower if tie downs added to top) - 583L x 431W | \$2,690.00 | \$2,840.00 | |
| PS/PA-021011-141236-FDC-EK | Fridge Drawer Combo with 40L EvaKool Fitkit - 1400L x 1020W x 365H **Fridge not included Liftout Hatch provided to access space behind the fridge (100mm narrower if tie downs added to top) - 583L x 560W | \$2,800.00 | \$2,950.00 | |
| PS/PA-021011-141236-FDC-IM | Fridge Drawer Combo with 40L Ironman Fitkit - 1400L x 1020W x 365H **Fridge not included Liftout Hatch provided to access space behind the fridge (100mm narrower if tie downs added to top) - 583L x 510W | \$2,800.00 | \$2,950.00 | |
| PS/PA-021011-141236-FDC-BM | Fridge Drawer Combo with 30L Bushman Fitkit - 1400L x 1020W x 365H **Fridge not included Liftout Hatch provided to access space behind the fridge (100mm narrower if tie downs added to top) - 583L x 431W | \$2,800.00 | \$2,950.00 | |
| PS/PA-021011-141227-1SL | Easy Access Combo 1 & Wing Kit - Small Low Platform to Passenger Side (Gap size 510W). Single Drawer O/A 1400L x 510W x 275H. Total Combo O/A 1400L x 1020W x 275H. (Suits RV-FS-1 or 3 *Not Included) | \$2,410.00 | \$2,560.00 | |
| PS/PA-021011-141227-1SR | Easy Access Combo 1 & Wing Kit - Small Low Platform to Driver Side (Gap size 510W). Single Drawer O/A 1400L x 510W x 275H. Total Combo O/A 1400L x 1020W x 275H. (Suits RV-FS-1 or 3 *Not Included) | \$2,410.00 | \$2,560.00 | |
| PS/PA-021011-141227-1LL | Easy Access Combo 1 & Wing Kit - Large Low Platform to Passenger Side (Gap size 570W). Single Drawer O/A 1400L x 450W x 275H. Total Combo O/A 1400L x 1020W x 275H. (Suits all RV-FS listed below except SO *Not Included) | \$2,410.00 | \$2,560.00 | |
| PS/PA-021011-141227-1LR | Easy Access Combo 1 & Wing Kit - Large Low Platform to Driver Side (Gap size 570W). Single Drawer O/A 1400L x 450W x 275H. Total Combo O/A 1400L x 1020W x 275H. (Suits all RV-FS listed below except SO *Not Included) | \$2,410.00 | \$2,560.00 | |
| PS/PA-021011-141227-2SL | Easy Access Combo 2 & Wing Kit - Small Low Platform to Passenger Side (Gap size 510W). Double Stacked Drawers (Standard Height Bottom Drawer O/A 1400L x 510W x 275H, Trade Height Top Drawer O/A 1100L x 510W x 365H). Total Combo O/A 1400L x 1020W x 640H. (Suits RV-FS-1 or 3 *Not Included). Optional 1100L Standard Height top drawer minus -\$100.00 | \$3,100.00 | \$3,400.00 | |
| PS/PA-021011-141227-2SR | Easy Access Combo 2 & Wing Kit - Small Low Platform to Driver Side (Gap size 510W). Double Stacked Drawers (Standard Height Bottom Drawer O/A 1400L x 510W x 275H, Trade Height Top Drawer O/A 1100L x 510W x 365H). Total Combo O/A 1400L x 1020W x 640H. (Suits RV-FS-1 or 3 *Not Included). Optional 1100L Standard Height top drawer minus -\$100.00 | \$3,100.00 | \$3,400.00 | |
| PS/PA-021011-141227-2LL | Easy Access Combo 2 & Wing Kit - Large Low Platform to Passenger Side (Gap size 570W). Double Stacked Drawers (Standard Height Bottom Drawer O/A 1400L x 450W x 275H, Trade Height Top Drawer O/A 1100L x 450W x 365H). Total Combo O/A 1400L x 1020W x 640H. (Suits all RV-FS listed below except SO *Not Included). Optional 1100L Standard Height top drawer minus -\$100.00 | \$3,100.00 | \$3,400.00 | |
| PS/PA-021011-141227-2LR | Easy Access Combo 2 & Wing Kit - Large Low Platform to Driver Side (Gap size 570W). Double Stacked Drawers (Standard Height Bottom Drawer O/A 1400L x 450W x 275H, Trade Height Top Drawer O/A 1100L x 450W x 365H). Total Combo O/A 1400L x 1020W x 640H. (Suits all RV-FS listed below except SO *Not Included). Optional 1100L Standard Height top drawer minus -\$100.00 | \$3,100.00 | \$3,400.00 | |
| RV-EAC-IFP-1400 | Easy Access Combo INFILL PANEL - covers fridge slide cavity to create a flat solid top effect (NOTE: top drawer must be removed on EAC-2 systems) | \$224.00 | N/A | |
| RV-CS-1451-00 | Cargo Shelf single - 1400L Ventilated side panel and solid top shelf to fit FS-1 (small fridge space) Suits EAC-1 1400L x 1020W | \$803.00 | N/A | |
| RV-CS-1457-00 | Cargo Shelf single - 1400L Ventilated side panel and solid top shelf to fit FS1.5 & FS-2 (large fridge space) Suits EAC-1 1400L x 1020W | \$803.00 | N/A | |
| RV-CS-0812-00 | Cargo Shelf double - 800L Ventilated side panel and solid top shelf system. Fits EAC-2 1400L x 1020W fitted with a Trade Height top | \$567.00 | N/A | |
| RV-IBFS-1300-DS | Inbuilt Fridge Slide - flush fitting 1300L (Driver Side) <i>Premium drawers only</i> | \$472.00 | N/A | |
| RV-IBFS-1300-PS | Inbuilt Fridge Slide - flush fitting 1300L (Passenger Side) <i>Premium drawers only</i> | \$472.00 | N/A | |
| PS/PA-RV-FS-1 | Heavy Duty Fridge Slide - 750L x 455W x 80H (external incl. Travel Lock) | \$472.00 | \$522.00 | |
| PS-RV-FS-1-SO | Heavy Duty Fridge Slide - 450L x 770W x 110H (external incl. Travel Lock) | \$472.00 | N/A | |
| PS/PA-RV-FS-1.5 | Heavy Duty Fridge Slide - 750L x 530W x 80H (external incl. Travel Lock) | \$520.00 | \$570.00 | |
| PS/PA-RV-FS-2 | Heavy Duty Fridge Slide - 850L x 560W x 80H (external incl. Travel Lock) | \$567.00 | \$617.00 | |
| PS-RV-FS-2-SO | Heavy Duty Fridge Slide - 550L x 870W x 110H (external incl. Travel Lock) | \$567.00 | N/A | |
| PS/PA-RV-FS-2.25 | Heavy Duty Fridge Slide - 950L x 560W x 80H (external incl. Travel Lock) | \$590.00 | \$640.00 | |
| PS/PA-RV-FS-2.5 | Heavy Duty Fridge Slide - 1050L x 560W x 80H (external incl. Travel Lock) | \$685.00 | \$735.00 | |
| PS/PA-RV-FS-3 | Heavy Duty Fridge Slide - 1410L x 455W x 80H (external incl. Travel Lock) | \$886.00 | \$961.00 | |
| PS/PA-RV-FS-3.5 | Heavy Duty Fridge Slide - 1410L x 560W x 80H (external incl. Travel Lock) | \$886.00 | \$961.00 | |

Travel Slide Drawers available on page 181
Inbuilt Fridge Slides N/A for alloy drawers

| VEHICLE MAKE MODEL | TOYOTA HILUX Dual Cab SR, SR5 (Oct 2015+) - 1400x1020 GENUINE UNDER RAIL LINER | TOYOTA | |
|--|---|------------|------------|
| TRADE HEIGHT DRAWERS +\$100 PER DRAWER | | | |
| PREMBLK: PREMIUM BLACK RRP +180.00 (option) | | | |
| | DESCRIPTION (PRICES INCLUDE WING KIT UNLESS OTHERWISE STATED) | PS RRP | PA RRP |
| PS/PA-021012-145127-SSL | Single Drawer & Wing Kit - Standard Height to Passenger Side 1400L x 510W x 275H | \$1,485.00 | \$1,635.00 |
| PS/PA-021012-145127-SSR | Single Drawer & Wing Kit - Standard Height to Driver Side 1400L x 510W x 275H | \$1,485.00 | \$1,635.00 |
| PS/PA-021012-145136-SHL | Single Drawer & Wing Kit - Trade Height to Passenger Side 1400L x 510W x 365H | \$1,585.00 | \$1,735.00 |
| PS/PA-021012-145136-SHR | Single Drawer & Wing Kit - Trade Height to Driver Side 1400L x 510W x 365H | \$1,585.00 | \$1,735.00 |
| EL-021012-141227-TDS | EcoLite Twin Drawer & Wing Kit - Standard Height 1400L x 1020W x 275H | \$2,080.00 | N/A |
| PS/PA-021012-141227-TDS | Twin Drawer & Wing Kit - Standard Height 1400L x 1020W x 275H | \$2,870.00 | \$3,170.00 |
| PS/PA-021012-141236-TDH | Twin Drawer & Wing Kit - Trade Height 1400L x 1020W x 365H | \$3,070.00 | \$3,370.00 |
| PS/PA-021012-141230-FDC-E/D | Fridge Drawer Combo with 30L Engel/Dometic Fitkit - 1400L x 1020W x 300H **Fridge not included Liftout Hatch provided to access space behind the fridge (100mm narrower if tie downs added to top) - 583L x 431W | \$2,690.00 | \$2,840.00 |
| PS/PA-021012-141236-FDC-EK | Fridge Drawer Combo with 40L EvaKool Fitkit - 1400L x 1020W x 365H **Fridge not included Liftout Hatch provided to access space behind the fridge (100mm narrower if tie downs added to top) - 583L x 560W | \$2,800.00 | \$2,950.00 |
| PS/PA-021012-141236-FDC-IM | Fridge Drawer Combo with 40L Ironman Fitkit - 1400L x 1020W x 365H **Fridge not included Liftout Hatch provided to access space behind the fridge (100mm narrower if tie downs added to top) - 583L x 510W | \$2,800.00 | \$2,950.00 |
| PS/PA-021012-141236-FDC-BM | Fridge Drawer Combo with 30L Bushman Fitkit - 1400L x 1020W x 365H **Fridge not included Liftout Hatch provided to access space behind the fridge (100mm narrower if tie downs added to top) - 583L x 431W | \$2,800.00 | \$2,950.00 |
| PS/PA-021012-141227-1SL | Easy Access Combo 1 & Wing Kit - Small Low Platform to Passenger Side (Gap size 510W). Single Drawer O/A 1400L x 510W x 275H. Total Combo O/A 1400L x 1020W x 275H. (Suits RV-FS-1 or 3 *Not Included) | \$2,410.00 | \$2,560.00 |
| PS/PA-021012-141227-1SR | Easy Access Combo 1 & Wing Kit - Small Low Platform to Driver Side (Gap size 510W). Single Drawer O/A 1400L x 510W x 275H. Total Combo O/A 1400L x 1020W x 275H. (Suits RV-FS-1 or 3 *Not Included) | \$2,410.00 | \$2,560.00 |
| PS/PA-021012-141227-1LL | Easy Access Combo 1 & Wing Kit - Large Low Platform to Passenger Side (Gap size 570W). Single Drawer O/A 1400L x 450W x 275H. Total Combo O/A 1400L x 1020W x 275H. (Suits all RV-FS listed below except SO *Not Included) | \$2,410.00 | \$2,560.00 |
| PS/PA-021012-141227-1LR | Easy Access Combo 1 & Wing Kit - Large Low Platform to Driver Side (Gap size 570W). Single Drawer O/A 1400L x 450W x 275H. Total Combo O/A 1400L x 1020W x 275H. (Suits all RV-FS listed below except SO *Not Included) | \$2,410.00 | \$2,560.00 |
| PS/PA-021012-141227-2SL | Easy Access Combo 2 & Wing Kit - Small Low Platform to Passenger Side (Gap size 510W). Double Stacked Drawers (Standard Height Bottom Drawer O/A 1400L x 510W x 275H, Trade Height Top Drawer O/A 1100L x 510W x 365H). Total Combo O/A 1400L x 1020W x 640H. (Suits RV-FS-1 or 3 *Not Included). Optional 1100L Standard Height top drawer minus -\$100.00 | \$3,100.00 | \$3,400.00 |
| PS/PA-021012-141227-2SR | Easy Access Combo 2 & Wing Kit - Small Low Platform to Driver Side (Gap size 510W). Double Stacked Drawers (Standard Height Bottom Drawer O/A 1400L x 510W x 275H, Trade Height Top Drawer O/A 1100L x 510W x 365H). Total Combo O/A 1400L x 1020W x 640H. (Suits RV-FS-1 or 3 *Not Included). Optional 1100L Standard Height top drawer minus -\$100.00 | \$3,100.00 | \$3,400.00 |
| PS/PA-021012-141227-2LL | Easy Access Combo 2 & Wing Kit - Large Low Platform to Passenger Side (Gap size 570W). Double Stacked Drawers (Standard Height Bottom Drawer O/A 1400L x 450W x 275H, Trade Height Top Drawer O/A 1100L x 450W x 365H). Total Combo O/A 1400L x 1020W x 640H. (Suits all RV-FS listed below except SO *Not Included). Optional 1100L Standard Height top drawer minus -\$100.00 | \$3,100.00 | \$3,400.00 |
| PS/PA-021012-141227-2LR | Easy Access Combo 2 & Wing Kit - Large Low Platform to Driver Side (Gap size 570W). Double Stacked Drawers (Standard Height Bottom Drawer O/A 1400L x 450W x 275H, Trade Height Top Drawer O/A 1100L x 450W x 365H). Total Combo O/A 1400L x 1020W x 640H. (Suits all RV-FS listed below except SO *Not Included). Optional 1100L Standard Height top drawer minus -\$100.00 | \$3,100.00 | \$3,400.00 |
| RV-EAC-IFP-1400 | Easy Access Combo INFILL PANEL - covers fridge slide cavity to create a flat solid top effect (NOTE: top drawer must be removed on EAC-2 systems) | \$224.00 | N/A |
| RV-CS-1451-00 | Cargo Shelf single - 1400L Ventilated side panel and solid top shelf to fit FS-1 (small fridge space) Suits EAC-1 1400L x 1020W | \$803.00 | N/A |
| RV-CS-1457-00 | Cargo Shelf single - 1400L Ventilated side panel and solid top shelf to fit FS1.5 & FS-2 (large fridge space) Suits EAC-1 1400L x 1020W | \$803.00 | N/A |
| RV-CS-0812-00 | Cargo Shelf double - 800L Ventilated side panel and solid top shelf system. Fits EAC-2 1400L x 1020W fitted with a Trade Height top | \$567.00 | N/A |
| RV-IBFS-1300-DS | Inbuilt Fridge Slide - flush fitting 1300L (Driver Side) Premium drawers only | \$472.00 | N/A |
| RV-IBFS-1300-PS | Inbuilt Fridge Slide - flush fitting 1300L (Passenger Side) Premium drawers only | \$472.00 | N/A |
| PS/PA-RV-FS-1 | Heavy Duty Fridge Slide - 750L x 455W x 80H (external incl. Travel Lock) | \$472.00 | \$522.00 |
| PS-RV-FS-1-SO | Heavy Duty Fridge Slide - 450L x 770W x 110H (external incl. Travel Lock) | \$472.00 | N/A |
| PS/PA-RV-FS-1.5 | Heavy Duty Fridge Slide - 750L x 530W x 80H (external incl. Travel Lock) | \$520.00 | \$570.00 |
| PS/PA-RV-FS-2 | Heavy Duty Fridge Slide - 850L x 560W x 80H (external incl. Travel Lock) | \$567.00 | \$617.00 |
| PS-RV-FS-2-SO | Heavy Duty Fridge Slide - 550L x 870W x 110H (external incl. Travel Lock) | \$567.00 | N/A |
| PS/PA-RV-FS-2.25 | Heavy Duty Fridge Slide - 950L x 560W x 80H (external incl. Travel Lock) | \$590.00 | \$640.00 |
| PS/PA-RV-FS-2.5 | Heavy Duty Fridge Slide - 1050L x 560W x 80H (external incl. Travel Lock) | \$685.00 | \$735.00 |
| PS/PA-RV-FS-3 | Heavy Duty Fridge Slide - 1410L x 455W x 80H (external incl. Travel Lock) | \$886.00 | \$961.00 |
| PS/PA-RV-FS-3.5 | Heavy Duty Fridge Slide - 1410L x 560W x 80H (external incl. Travel Lock) | \$886.00 | \$961.00 |

Travel Slide Drawers available on page 181
Inbuilt Fridge Slides N/A for alloy drawers

| VEHICLE MAKE MODEL | TOYOTA HILUX Extra Cab (Oct 2015+) SR/SR5 - 1700x1020 NO LINER | TOYOTA | |
|---|--|---------------|---------------|
| TRADE HEIGHT DRAWERS +\$100 PER DRAWER | | | |
| PA: Premium Alloy PS: Premium Steel EL: EcoLite | PREMBLK: PREMIUM BLACK RRP +180.00 (option) | | |
| | DESCRIPTION (PRICES INCLUDE WING KIT UNLESS OTHERWISE STATED) | PS RRP | PA RRP |
| PS-021013-175127-SSL | Single Drawer & Wing Kit - Standard Height to Passenger Side 1700L x 510W x 275H | \$1,625.00 | N/A |
| PS-021013-175127-SSR | Single Drawer & Wing Kit - Standard Height to Driver Side 1700L x 510W x 275H | \$1,625.00 | N/A |
| PS-021013-175136-SHL | Single Drawer & Wing Kit - Trade Height to Passenger Side 1700L x 510W x 365H | \$1,725.00 | N/A |
| PS-021013-175136-SHR | Single Drawer & Wing Kit - Trade Height to Driver Side 1700L x 510W x 365H | \$1,725.00 | N/A |
| EL-021013-171227-TDS | EcoLite Twin Drawer & Wing Kit - Standard Height 1700L x 1020W x 275H | \$2,270.00 | N/A |
| PS-021013-171227-TDS | Twin Drawer & Wing Kit - Standard Height 1700L x 1020W x 275H | \$3,145.00 | N/A |
| PS-021013-171236-TDH | Twin Drawer & Wing Kit - Trade Height 1700L x 1020W x 365H | \$3,345.00 | N/A |
| PS-021013-171230-FDC-E/D | Fridge Drawer Combo with 30L Engel/Dometic Fitkit - 1700L x 1020W x 300H **Fridge not included Liftout Hatch provided to access space behind the fridge (100mm narrower if tie downs added to top) - 883L x 431W | \$2,855.00 | N/A |
| PS-021013-171236-FDC-EK | Fridge Drawer Combo with 40L EvaKool Fitkit - 1700L x 1020W x 365H **Fridge not included Liftout Hatch provided to access space behind the fridge (100mm narrower if tie downs added to top) - 883L x 560W | \$2,965.00 | N/A |
| PS-021013-171236-FDC-IM | Fridge Drawer Combo with 40L Ironman Fitkit - 1700L x 1020W x 365H **Fridge not included Liftout Hatch provided to access space behind the fridge (100mm narrower if tie downs added to top) - 883L x 510W | \$2,965.00 | N/A |
| PS-021013-171236-FDC-BM | Fridge Drawer Combo with 30L Bushman Fitkit - 1700L x 1020W x 365H **Fridge not included Liftout Hatch provided to access space behind the fridge (100mm narrower if tie downs added to top) - 883L x 431W | \$2,965.00 | N/A |
| PS-021013-171227-1SL | Easy Access Combo 1 & Wing Kit - Small Low Platform to Passenger Side (Gap size 510W). Single Drawer O/A 1700L x 510W x 275H. Total Combo O/A 1700L x 1020W x 275H. (Suits RV-FS-1 or 3 *Not Included) | \$2,630.00 | N/A |
| PS-021013-171227-1SR | Easy Access Combo 1 & Wing Kit - Small Low Platform to Driver Side (Gap size 510W). Single Drawer O/A 1700L x 510W x 275H. Total Combo O/A 1700L x 1020W x 275H. (Suits RV-FS-1 or 3 *Not Included) | \$2,630.00 | N/A |
| PS-021013-171227-1LL | Easy Access Combo 1 & Wing Kit - Large Low Platform to Passenger Side (Gap size 570W). Single Drawer O/A 1700L x 450W x 275H. Total Combo O/A 1700L x 1020W x 275H. (Suits all RV-FS listed below except SO *Not Included) | \$2,630.00 | N/A |
| PS-021013-171227-1LR | Easy Access Combo 1 & Wing Kit - Large Low Platform to Driver Side (Gap size 570W). Single Drawer O/A 1700L x 450W x 275H. Total Combo O/A 1700L x 1020W x 275H. (Suits all RV-FS listed below except SO *Not Included) | \$2,630.00 | N/A |
| PS-021013-171227-2SL | Easy Access Combo 2 & Wing Kit - Small Low Platform to Passenger Side (Gap size 510W). Double Stacked Drawers (Standard Height Bottom Drawer O/A 1700L x 510W x 275H, Trade Height Top Drawer O/A 1500L x 510W x 365H). Total Combo O/A 1700L x 1020W x 640H. (Suits RV-FS-1 or 3 *Not Included). Optional 1500L Standard Height top drawer minus -\$100.00 | \$3,375.00 | N/A |
| PS-021013-171227-2SR | Easy Access Combo 2 & Wing Kit - Small Low Platform to Driver Side (Gap size 510W). Double Stacked Drawers (Standard Height Bottom Drawer O/A 1700L x 510W x 275H, Trade Height Top Drawer O/A 1500L x 510W x 365H). Total Combo O/A 1700L x 1020W x 640H. (Suits RV-FS-1 or 3 *Not Included). Optional 1500L Standard Height top drawer minus -\$100.00 | \$3,375.00 | N/A |
| PS-021013-171227-2LL | Easy Access Combo 2 & Wing Kit - Large Low Platform to Passenger Side (Gap size 570W). Double Stacked Drawers (Standard Height Bottom Drawer O/A 1700L x 450W x 275H, Trade Height Top Drawer O/A 1500L x 450W x 365H). Total Combo O/A 1700L x 1020W x 640H. (Suits all RV-FS listed below except SO *Not Included). Optional 1500L Standard Height top drawer minus -\$100.00 | \$3,375.00 | N/A |
| PS-021013-171227-2LR | Easy Access Combo 2 & Wing Kit - Large Low Platform to Driver Side (Gap size 570W). Double Stacked Drawers (Standard Height Bottom Drawer O/A 1700L x 450W x 275H, Trade Height Top Drawer O/A 1500L x 450W x 365H). Total Combo O/A 1700L x 1020W x 640H. (Suits all RV-FS listed below except SO *Not Included). Optional 1500L Standard Height top drawer minus -\$100.00 | \$3,375.00 | N/A |
| RV-EAC-IFP-1700 | Easy Access Combo INFILL PANEL - covers fridge slide cavity to create a flat solid top effect (NOTE: top drawer must be removed on EAC-2 systems) | \$272.00 | N/A |
| RV-CS-1451-00 | Cargo Shelf single - 1400L Ventilated side panel and solid top shelf to fit FS-1 (small fridge space) Suits EAC-1 1400L x 1020W | \$803.00 | N/A |
| RV-CS-1457-00 | Cargo Shelf single - 1400L Ventilated side panel and solid top shelf to fit FS1.5 & FS-2 (large fridge space) Suits EAC-1 1400L x 1020W | \$803.00 | N/A |
| RV-CS-0812-00 | Cargo Shelf double - 800L Ventilated side panel and solid top shelf system. Fits EAC-2 1400L x 1020W fitted with a Trade Height top | \$567.00 | N/A |
| RV-IBFS-1300-DS | Inbuilt Fridge Slide - flush fitting 1300L (Driver Side) <i>Premium drawers only</i> | \$472.00 | N/A |
| RV-IBFS-1300-PS | Inbuilt Fridge Slide - flush fitting 1300L (Passenger Side) <i>Premium drawers only</i> | \$472.00 | N/A |
| PS/PA-RV-FS-1 | Heavy Duty Fridge Slide - 750L x 455W x 80H (external incl. Travel Lock) | \$472.00 | \$522.00 |
| PS-RV-FS-1-SO | Heavy Duty Fridge Slide - 450L x 770W x 110H (external incl. Travel Lock) | \$472.00 | N/A |
| PS/PA-RV-FS-1.5 | Heavy Duty Fridge Slide - 750L x 530W x 80H (external incl. Travel Lock) | \$520.00 | \$570.00 |
| PS/PA-RV-FS-2 | Heavy Duty Fridge Slide - 850L x 560W x 80H (external incl. Travel Lock) | \$567.00 | \$617.00 |
| PS-RV-FS-2-SO | Heavy Duty Fridge Slide - 550L x 870W x 110H (external incl. Travel Lock) | \$567.00 | N/A |
| PS/PA-RV-FS-2.25 | Heavy Duty Fridge Slide - 950L x 560W x 80H (external incl. Travel Lock) | \$590.00 | \$640.00 |
| PS/PA-RV-FS-2.5 | Heavy Duty Fridge Slide - 1050L x 560W x 80H (external incl. Travel Lock) | \$685.00 | \$735.00 |
| PS/PA-RV-FS-3 | Heavy Duty Fridge Slide - 1410L x 455W x 80H (external incl. Travel Lock) | \$886.00 | \$961.00 |
| PS/PA-RV-FS-3.5 | Heavy Duty Fridge Slide - 1410L x 560W x 80H (external incl. Travel Lock) | \$886.00 | \$961.00 |

Travel Slide Drawers available on page 181

| VEHICLE MAKE MODEL | | TOYOTA | |
|---|---|------------|------------|
| TOYOTA HILUX - 1400x1020 Dual Cab Rogue/Rugged-X (OCT 2015+) GENUINE CARPETED LINER WITH OR WITHOUT ROLLBARS - WITH OR WITHOUT ROLLER SHUTTER | | | |
| PA: Premium Alloy PS: Premium Steel EL: EcoLite | TRADE HEIGHT DRAWERS +\$100 PER DRAWER PREMBLK: PREMIUM BLACK RRP +180.00 (option) | | |
| DESCRIPTION (PRICES INCLUDE WING KIT UNLESS OTHERWISE STATED) | PS RRP | PA RRP | |
| PS/PA-021015-145127-SSL | Single Drawer & Wing Kit - Standard Height to Passenger Side 1400L x 510W x 275H | \$1,485.00 | \$1,635.00 |
| PS/PA-021015-145127-SSR | Single Drawer & Wing Kit - Standard Height to Driver Side 1400L x 510W x 275H | \$1,485.00 | \$1,635.00 |
| PS/PA-021015-145136-SHL | Single Drawer & Wing Kit - Trade Height to Passenger Side 1400L x 510W x 365H ** | \$1,585.00 | \$1,735.00 |
| PS/PA-021015-145136-SHR | Single Drawer & Wing Kit - Trade Height to Driver Side 1400L x 510W x 365H ** | \$1,585.00 | \$1,735.00 |
| EL-021015-141227-TDS | EcoLite Twin Drawer & Wing Kit - Standard Height 1400L x 1020W x 275H | \$2,080.00 | N/A |
| PS/PA-021015-141227-TDS | Twin Drawer & Wing Kit - Standard Height 1400L x 1020W x 275H | \$2,870.00 | \$3,170.00 |
| PS/PA-021015-141236-TDH | Twin Drawer & Wing Kit - Trade Height 1400L x 1020W x 365H ** | \$3,070.00 | \$3,370.00 |
| PS/PA-021015-141230-FDC-E/D | Fridge Drawer Combo with 30L Engel/Dometic Fitkit - 1400L x 1020W x 300H **Fridge not included Liftout Hatch provided to access space behind the fridge (100mm narrower if tie downs added to top) - 583L x 431W | \$2,690.00 | \$2,840.00 |
| PS/PA-021015-141236-FDC-EK | Fridge Drawer Combo with 40L EvaKool Fitkit - 1400L x 1020W x 365H **Fridge not included Liftout Hatch provided to access space behind the fridge (100mm narrower if tie downs added to top) - 583L x 560W | \$2,800.00 | \$2,950.00 |
| PS/PA-021015-141236-FDC-IM | Fridge Drawer Combo with 40L Ironman Fitkit - 1400L x 1020W x 365H **Fridge not included Liftout Hatch provided to access space behind the fridge (100mm narrower if tie downs added to top) - 583L x 510W | \$2,800.00 | \$2,950.00 |
| PS/PA-021015-141236-FDC-BM | Fridge Drawer Combo with 30L Bushman Fitkit - 1400L x 1020W x 365H **Fridge not included Liftout Hatch provided to access space behind the fridge (100mm narrower if tie downs added to top) - 583L x 431W | \$2,800.00 | \$2,950.00 |
| PS/PA-021015-141227-1SL | Easy Access Combo 1 & Wing Kit - Small Low Platform to Passenger Side (Gap size 510W). Single Drawer O/A 1400L x 510W x 275H. Total Combo O/A 1400L x 1020W x 275H. (Suits RV-FS-1 or 3 *Not Included) | \$2,410.00 | \$2,560.00 |
| PS/PA-021015-141227-1SR | Easy Access Combo 1 & Wing Kit - Small Low Platform to Driver Side (Gap size 510W). Single Drawer O/A 1400L x 510W x 275H. Total Combo O/A 1400L x 1020W x 275H. (Suits RV-FS-1 or 3 *Not Included) | \$2,410.00 | \$2,560.00 |
| PS/PA-021015-141227-1LL | Easy Access Combo 1 & Wing Kit - Large Low Platform to Passenger Side (Gap size 570W). Single Drawer O/A 1400L x 450W x 275H. Total Combo O/A 1400L x 1020W x 275H. (Suits all RV-FS listed below except SO *Not Included) | \$2,410.00 | \$2,560.00 |
| PS/PA-021015-141227-1LR | Easy Access Combo 1 & Wing Kit - Large Low Platform to Driver Side (Gap size 570W). Single Drawer O/A 1400L x 450W x 275H. Total Combo O/A 1400L x 1020W x 275H. (Suits all RV-FS listed below except SO *Not Included) | \$2,410.00 | \$2,560.00 |
| PS/PA-021015-141227-2SL | Easy Access Combo 2 & Wing Kit - Small Low Platform to Passenger Side (Gap size 510W). Double Stacked Drawers (Standard Height Bottom Drawer O/A 1400L x 510W x 275H, Trade Height Top Drawer O/A 1100L x 510W x 365H). Total Combo O/A 1400L x 1020W x 640H. (Suits RV-FS-1 or 3 *Not Included). Optional 1100L Standard Height top drawer minus -\$100.00 | \$3,100.00 | \$3,400.00 |
| PS/PA-021015-141227-2SR | Easy Access Combo 2 & Wing Kit - Small Low Platform to Driver Side (Gap size 510W). Double Stacked Drawers (Standard Height Bottom Drawer O/A 1400L x 510W x 275H, Trade Height Top Drawer O/A 1100L x 510W x 365H). Total Combo O/A 1400L x 1020W x 640H. (Suits RV-FS-1 or 3 *Not Included). Optional 1100L Standard Height top drawer minus -\$100.00 | \$3,100.00 | \$3,400.00 |
| PS/PA-021015-141227-2LL | Easy Access Combo 2 & Wing Kit - Large Low Platform to Passenger Side (Gap size 570W). Double Stacked Drawers (Standard Height Bottom Drawer O/A 1400L x 450W x 275H, Trade Height Top Drawer O/A 1100L x 450W x 365H). Total Combo O/A 1400L x 1020W x 640H. (Suits all RV-FS listed below except SO *Not Included). Optional 1100L Standard Height top drawer minus -\$100.00 | \$3,100.00 | \$3,400.00 |
| PS/PA-021015-141227-2LR | Easy Access Combo 2 & Wing Kit - Large Low Platform to Driver Side (Gap size 570W). Double Stacked Drawers (Standard Height Bottom Drawer O/A 1400L x 450W x 275H, Trade Height Top Drawer O/A 1100L x 450W x 365H). Total Combo O/A 1400L x 1020W x 640H. (Suits all RV-FS listed below except SO *Not Included). Optional 1100L Standard Height top drawer minus -\$100.00 | \$3,100.00 | \$3,400.00 |
| RV-EAC-IFP-1400 | Easy Access Combo INFILL PANEL - covers fridge slide cavity to create a flat solid top effect (NOTE: top drawer must be removed on EAC-2 systems) | \$224.00 | N/A |
| RV-CS-1451-00 | Cargo Shelf single - 1400L Ventilated side panel and solid top shelf to fit FS-1 (small fridge space) Suits EAC-1 1400L x 1020W | \$803.00 | N/A |
| RV-CS-1457-00 | Cargo Shelf single - 1400L Ventilated side panel and solid top shelf to fit FS1.5 & FS-2 (large fridge space) Suits EAC-1 1400L x 1020W | \$803.00 | N/A |
| RV-CS-0812-00 | Cargo Shelf double - 800L Ventilated side panel and solid top shelf system. Fits EAC-2 1400L x 1020W fitted with a Trade Height top | \$567.00 | N/A |
| RV-IBFS-1300-DS | Inbuilt Fridge Slide - flush fitting 1300L (Driver Side) Premium drawers only | \$472.00 | N/A |
| RV-IBFS-1300-PS | Inbuilt Fridge Slide - flush fitting 1300L (Passenger Side) Premium drawers only | \$472.00 | N/A |
| PS/PA-RV-FS-1 | Heavy Duty Fridge Slide - 750L x 455W x 80H (external incl. Travel Lock) | \$472.00 | \$522.00 |
| PS-RV-FS-1-SO | Heavy Duty Fridge Slide - 450L x 770W x 110H (external incl. Travel Lock) | \$472.00 | N/A |
| PS/PA-RV-FS-1.5 | Heavy Duty Fridge Slide - 750L x 530W x 80H (external incl. Travel Lock) | \$520.00 | \$570.00 |
| PS/PA-RV-FS-2 | Heavy Duty Fridge Slide - 850L x 560W x 80H (external incl. Travel Lock) | \$567.00 | \$617.00 |
| PS-RV-FS-2-SO | Heavy Duty Fridge Slide - 550L x 870W x 110H (external incl. Travel Lock) | \$567.00 | N/A |
| PS/PA-RV-FS-2.25 | Heavy Duty Fridge Slide - 950L x 560W x 80H (external incl. Travel Lock) | \$590.00 | \$640.00 |
| PS/PA-RV-FS-2.5 | Heavy Duty Fridge Slide - 1050L x 560W x 80H (external incl. Travel Lock) | \$685.00 | \$735.00 |
| PS/PA-RV-FS-3 | Heavy Duty Fridge Slide - 1410L x 455W x 80H (external incl. Travel Lock) | \$886.00 | \$961.00 |
| PS/PA-RV-FS-3.5 | Heavy Duty Fridge Slide - 1410L x 560W x 80H (external incl. Travel Lock) | \$886.00 | \$961.00 |
| <p>Trade Height drawers with Roller Shutter will only be available in 1100L to avoid roller shutter box</p> <p>Trade Height drawers without Roller Shutter available in 1400L</p> <p>IMPORTANT! - Make note when ordering if vehicle has rollbars or a roller shutter</p> <p>If tub liner is removed, please refer back to 021010</p> <p>Travel Slide Drawers available on page 181</p> <p>Inbuilt Fridge Slides N/A for alloy drawers</p> | | | |

| VEHICLE MAKE MODEL | | TOYOTA | |
|--|---|------------|------------|
| TOYOTA HILUX - 1400x1020 Dual Cab Rogue/Rugged-X (OCT 2015+) GENUINE PLASTIC LINER WITH OR WITHOUT ROLLBARS - WITH OR WITHOUT ROLLER SHUTTER | | | |
| PA: Premium Alloy PS: Premium Steel EL: EcoLite | TRADE HEIGHT DRAWERS +\$100 PER DRAWER PREMBLK: PREMIUM BLACK RRP +180.00 (option) | | |
| DESCRIPTION (PRICES INCLUDE WING KIT UNLESS OTHERWISE STATED) | PS RRP | PA RRP | |
| PS/PA-021016-145127-SSL | Single Drawer & Wing Kit - Standard Height to Passenger Side 1400L x 510W x 275H | \$1,485.00 | \$1,635.00 |
| PS/PA-021016-145127-SSR | Single Drawer & Wing Kit - Standard Height to Driver Side 1400L x 510W x 275H | \$1,485.00 | \$1,635.00 |
| PS/PA-021016-145136-SHL | Single Drawer & Wing Kit - Trade Height to Passenger Side 1400L x 510W x 365H ** | \$1,585.00 | \$1,735.00 |
| PS/PA-021016-145136-SHR | Single Drawer & Wing Kit - Trade Height to Driver Side 1400L x 510W x 365H ** | \$1,585.00 | \$1,735.00 |
| EL-021016-141227-TDS | EcoLite Twin Drawer & Wing Kit - Standard Height 1400L x 1020W x 275H | \$2,080.00 | N/A |
| PS/PA-021016-141227-TDS | Twin Drawer & Wing Kit - Standard Height 1400L x 1020W x 275H | \$2,870.00 | \$3,170.00 |
| PS/PA-021016-141236-TDH | Twin Drawer & Wing Kit - Trade Height 1400L x 1020W x 365H ** | \$3,070.00 | \$3,370.00 |
| PS/PA-021016-141230-FDC-E/D | Fridge Drawer Combo with 30L Engel/Dometic Fitkit - 1400L x 1020W x 300H **Fridge not included Liftout Hatch provided to access space behind the fridge (100mm narrower if tie downs added to top) - 583L x 431W | \$2,690.00 | \$2,840.00 |
| PS/PA-021016-141236-FDC-EK | Fridge Drawer Combo with 40L EvaKool Fitkit - 1400L x 1020W x 365H **Fridge not included Liftout Hatch provided to access space behind the fridge (100mm narrower if tie downs added to top) - 583L x 560W | \$2,800.00 | \$2,950.00 |
| PS/PA-021016-141236-FDC-IM | Fridge Drawer Combo with 40L Ironman Fitkit - 1400L x 1020W x 365H **Fridge not included Liftout Hatch provided to access space behind the fridge (100mm narrower if tie downs added to top) - 583L x 510W | \$2,800.00 | \$2,950.00 |
| PS/PA-021016-141236-FDC-BM | Fridge Drawer Combo with 30L Bushman Fitkit - 1400L x 1020W x 365H **Fridge not included Liftout Hatch provided to access space behind the fridge (100mm narrower if tie downs added to top) - 583L x 431W | \$2,800.00 | \$2,950.00 |
| PS/PA-021016-141227-1SL | Easy Access Combo 1 & Wing Kit - Small Low Platform to Passenger Side (Gap size 510W). Single Drawer O/A 1400L x 510W x 275H. Total Combo O/A 1400L x 1020W x 275H. (Suits RV-FS-1 or 3 *Not Included) | \$2,410.00 | \$2,560.00 |
| PS/PA-021016-141227-1SR | Easy Access Combo 1 & Wing Kit - Small Low Platform to Driver Side (Gap size 510W). Single Drawer O/A 1400L x 510W x 275H. Total Combo O/A 1400L x 1020W x 275H. (Suits RV-FS-1 or 3 *Not Included) | \$2,410.00 | \$2,560.00 |
| PS/PA-021016-141227-1LL | Easy Access Combo 1 & Wing Kit - Large Low Platform to Passenger Side (Gap size 570W). Single Drawer O/A 1400L x 450W x 275H. Total Combo O/A 1400L x 1020W x 275H. (Suits all RV-FS listed below except SO *Not Included) | \$2,410.00 | \$2,560.00 |
| PS/PA-021016-141227-1LR | Easy Access Combo 1 & Wing Kit - Large Low Platform to Driver Side (Gap size 570W). Single Drawer O/A 1400L x 450W x 275H. Total Combo O/A 1400L x 1020W x 275H. (Suits all RV-FS listed below except SO *Not Included) | \$2,410.00 | \$2,560.00 |
| PS/PA-021016-141227-2SL | Easy Access Combo 2 & Wing Kit - Small Low Platform to Passenger Side (Gap size 510W). Double Stacked Drawers (Standard Height Bottom Drawer O/A 1400L x 510W x 275H, Trade Height Top Drawer O/A 1100L x 510W x 365H). Total Combo O/A 1400L x 1020W x 640H. (Suits RV-FS-1 or 3 *Not Included). Optional 1100L Standard Height top drawer minus -\$100.00 | \$3,100.00 | \$3,400.00 |
| PS/PA-021016-141227-2SR | Easy Access Combo 2 & Wing Kit - Small Low Platform to Driver Side (Gap size 510W). Double Stacked Drawers (Standard Height Bottom Drawer O/A 1400L x 510W x 275H, Trade Height Top Drawer O/A 1100L x 510W x 365H). Total Combo O/A 1400L x 1020W x 640H. (Suits RV-FS-1 or 3 *Not Included). Optional 1100L Standard Height top drawer minus -\$100.00 | \$3,100.00 | \$3,400.00 |
| PS/PA-021016-141227-2LL | Easy Access Combo 2 & Wing Kit - Large Low Platform to Passenger Side (Gap size 570W). Double Stacked Drawers (Standard Height Bottom Drawer O/A 1400L x 450W x 275H, Trade Height Top Drawer O/A 1100L x 450W x 365H). Total Combo O/A 1400L x 1020W x 640H. (Suits all RV-FS listed below except SO *Not Included). Optional 1100L Standard Height top drawer minus -\$100.00 | \$3,100.00 | \$3,400.00 |
| PS/PA-021016-141227-2LR | Easy Access Combo 2 & Wing Kit - Large Low Platform to Driver Side (Gap size 570W). Double Stacked Drawers (Standard Height Bottom Drawer O/A 1400L x 450W x 275H, Trade Height Top Drawer O/A 1100L x 450W x 365H). Total Combo O/A 1400L x 1020W x 640H. (Suits all RV-FS listed below except SO *Not Included). Optional 1100L Standard Height top drawer minus -\$100.00 | \$3,100.00 | \$3,400.00 |
| RV-EAC-IFP-1400 | Easy Access Combo INFILL PANEL - covers fridge slide cavity to create a flat solid top effect (NOTE: top drawer must be removed on EAC-2 systems) | \$224.00 | N/A |
| RV-CS-1451-00 | Cargo Shelf single - 1400L Ventilated side panel and solid top shelf to fit FS-1 (small fridge space) Suits EAC-1 1400L x 1020W | \$803.00 | N/A |
| RV-CS-1457-00 | Cargo Shelf single - 1400L Ventilated side panel and solid top shelf to fit FS1.5 & FS-2 (large fridge space) Suits EAC-1 1400L x 1020W | \$803.00 | N/A |
| RV-CS-0812-00 | Cargo Shelf double - 800L Ventilated side panel and solid top shelf system. Fits EAC-2 1400L x 1020W fitted with a Trade Height top | \$567.00 | N/A |
| RV-IBFS-1300-DS | Inbuilt Fridge Slide - flush fitting 1300L (Driver Side) Premium drawers only | \$472.00 | N/A |
| RV-IBFS-1300-PS | Inbuilt Fridge Slide - flush fitting 1300L (Passenger Side) Premium drawers only | \$472.00 | N/A |
| PS/PA-RV-FS-1 | Heavy Duty Fridge Slide - 750L x 455W x 80H (external incl. Travel Lock) | \$472.00 | \$522.00 |
| PS-RV-FS-1-SO | Heavy Duty Fridge Slide - 450L x 770W x 110H (external incl. Travel Lock) | \$472.00 | N/A |
| PS/PA-RV-FS-1.5 | Heavy Duty Fridge Slide - 750L x 530W x 80H (external incl. Travel Lock) | \$520.00 | \$570.00 |
| PS/PA-RV-FS-2 | Heavy Duty Fridge Slide - 850L x 560W x 80H (external incl. Travel Lock) | \$567.00 | \$617.00 |
| PS-RV-FS-2-SO | Heavy Duty Fridge Slide - 550L x 870W x 110H (external incl. Travel Lock) | \$567.00 | N/A |
| PS/PA-RV-FS-2.25 | Heavy Duty Fridge Slide - 950L x 560W x 80H (external incl. Travel Lock) | \$590.00 | \$640.00 |
| PS/PA-RV-FS-2.5 | Heavy Duty Fridge Slide - 1050L x 560W x 80H (external incl. Travel Lock) | \$685.00 | \$735.00 |
| PS/PA-RV-FS-3 | Heavy Duty Fridge Slide - 1410L x 455W x 80H (external incl. Travel Lock) | \$886.00 | \$961.00 |
| PS/PA-RV-FS-3.5 | Heavy Duty Fridge Slide - 1410L x 560W x 80H (external incl. Travel Lock) | \$886.00 | \$961.00 |

Trade Height drawers with Roller Shutter will only be available in 1100L to avoid roller shutter box
Trade Height drawers without Roller Shutter available in 1400L
IMPORTANT! - Make note when ordering if vehicle has rollbars or a roller shutter
If tub liner is removed, please refer back to Q21010
Travel Slide Drawers available on page 181
Inbuilt Fridge Slides N/A for alloy drawers

| VEHICLE MAKE MODEL | TOYOTA HILUX DUAL CAB GR SPORT (2022+) - 1450x1020 GENUINE TUB LINER TOYOTA | | |
|---|---|------------|------------|
| PA: Premium Alloy PS: Premium Steel EL: EcoLite | TRADE HEIGHT DRAWERS +\$100 PER DRAWER | | |
| | PREMLBK: PREMIUM BLACK RRP +180.00 (option) | | |
| | DESCRIPTION (PRICES INCLUDE WING KIT UNLESS OTHERWISE STATED) | PS RRP | PA RRP |
| PS/PA-021017-455127-SSL | Single Drawer & Wing Kit - Standard Height to Passenger Side 1450L x 510W x 275H | \$1,515.00 | \$1,665.00 |
| PS/PA-021017-455127-SSR | Single Drawer & Wing Kit - Standard Height to Driver Side 1450L x 510W x 275H | \$1,515.00 | \$1,665.00 |
| PS/PA-021017-455136-SHL | Single Drawer & Wing Kit - Trade Height to Passenger Side 1450L x 510W x 365H | \$1,615.00 | \$1,765.00 |
| PS/PA-021017-455136-SHR | Single Drawer & Wing Kit - Trade Height to Driver Side 1450L x 510W x 365H | \$1,615.00 | \$1,765.00 |
| EL-021017-451227-TDS | EcoLite Twin Drawer & Wing Kit - Standard Height 1450L x 1020W x 275H | \$2,110.00 | N/A |
| PS/PA-021017-451227-TDS | Twin Drawer & Wing Kit - Standard Height 1450L x 1020W x 275H | \$2,925.00 | \$3,225.00 |
| PS-021017-451236-TDH | Twin Drawer & Wing Kit - Trade Height 1450L x 1020W x 365H | \$3,125.00 | N/A |
| PS/PA-021017-451230-FDC-E/D | Fridge Drawer Combo with 30L Engel/Dometic Fitkit - 1450L x 1020W x 300H **Fridge not included Liftout Hatch provided to access space behind the fridge (100mm narrower if tie downs added to top) - 633L x 431W | \$2,690.00 | \$2,840.00 |
| PS/PA-021017-451236-FDC-EK | Fridge Drawer Combo with 40L EvaKool Fitkit - 1450L x 1020W x 365H **Fridge not included Liftout Hatch provided to access space behind the fridge (100mm narrower if tie downs added to top) - 633L x 560W | \$2,800.00 | \$2,950.00 |
| PS/PA-021017-451236-FDC-IM | Fridge Drawer Combo with 40L Ironman Fitkit - 1450L x 1020W x 365H **Fridge not included Liftout Hatch provided to access space behind the fridge (100mm narrower if tie downs added to top) - 633L x 510W | \$2,800.00 | \$2,950.00 |
| PS/PA-021017-451236-FDC-BM | Fridge Drawer Combo with 30L Bushman Fitkit - 1450L x 1020W x 365H **Fridge not included Liftout Hatch provided to access space behind the fridge (100mm narrower if tie downs added to top) - 633L x 431W | \$2,800.00 | \$2,950.00 |
| PS/PA-021017-451227-1SL | Easy Access Combo 1 & Wing Kit - Small Low Platform to Passenger Side (Gap size 510W). Single Drawer O/A 1450L x 510W x 275H. Total Combo O/A 1450L x 1020W x 275H. (Suits RV-FS-1 or 3*Not Included) | \$2,435.00 | \$2,585.00 |
| PS/PA-021017-451227-1SR | Easy Access Combo 1 & Wing Kit - Small Low Platform to Driver Side (Gap size 510W). Single Drawer O/A 1450L x 510W x 275H. Total Combo O/A 1450L x 1020W x 275H. (Suits RV-FS-1 or 3*Not Included) | \$2,435.00 | \$2,585.00 |
| PS/PA-021017-451227-1LL | Easy Access Combo 1 & Wing Kit - Large Low Platform to Passenger Side (Gap size 570W). Single Drawer O/A 1450L x 450W x 275H. Total Combo O/A 1450L x 1020W x 275H. (Suits all RV-FS listed below except SO *Not Included) | \$2,435.00 | \$2,585.00 |
| PS/PA-021017-451227-1LR | Easy Access Combo 1 & Wing Kit - Large Low Platform to Driver Side (Gap size 570W). Single Drawer O/A 1450L x 450W x 275H. Total Combo O/A 1450L x 1020W x 275H. (Suits all RV-FS listed below except SO *Not Included) | \$2,435.00 | \$2,585.00 |
| PS/PA-021017-451227-2SL | Easy Access Combo 2 & Wing Kit - Small Low Platform to Passenger Side (Gap size 510W). Double Stacked Drawers (Standard Height Bottom Drawer O/A 1450L x 510W x 275H, Trade Height Top Drawer O/A 1100L x 510W x 365H). Total Combo O/A 1450L x 1020W x 640H. (Suits RV-FS-1 or 3*Not Included). Optional 1100L Standard Height top drawer minus -\$100.00 | \$3,155.00 | \$3,455.00 |
| PS/PA-021017-451227-2SR | Easy Access Combo 2 & Wing Kit - Small Low Platform to Driver Side (Gap size 510W). Double Stacked Drawers (Standard Height Bottom Drawer O/A 1450L x 510W x 275H, Trade Height Top Drawer O/A 1100L x 510W x 365H). Total Combo O/A 1450L x 1020W x 640H. (Suits RV-FS-1 or 3*Not Included). Optional 1100L Standard Height top drawer minus -\$100.00 | \$3,155.00 | \$3,455.00 |
| PS/PA-021017-451227-2LL | Easy Access Combo 2 & Wing Kit - Large Low Platform to Passenger Side (Gap size 570W). Double Stacked Drawers (Standard Height Bottom Drawer O/A 1450L x 450W x 275H, Trade Height Top Drawer O/A 1100L x 450W x 365H). Total Combo O/A 1450L x 1020W x 640H. (Suits all RV-FS listed below except SO *Not Included). Optional 1100L Standard Height top drawer minus -\$100.00 | \$3,155.00 | \$3,455.00 |
| PS/PA-021017-451227-2LR | Easy Access Combo 2 & Wing Kit - Large Low Platform to Driver Side (Gap size 570W). Double Stacked Drawers (Standard Height Bottom Drawer O/A 1450L x 450W x 275H, Trade Height Top Drawer O/A 1100L x 450W x 365H). Total Combo O/A 1450L x 1020W x 640H. (Suits all RV-FS listed below except SO *Not Included). Optional 1100L Standard Height top drawer minus -\$100.00 | \$3,155.00 | \$3,455.00 |
| RV-EAC-IFP-1450 | Easy Access Combo INFILL PANEL - covers fridge slide cavity to create a flat solid top effect (NOTE: top drawer must be removed on EAC-2 systems) | \$224.00 | N/A |
| RV-CS-1451-00 | Cargo Shelf single - 1400L Ventilated side panel and solid top shelf to fit FS-1 (small fridge space) Suits EAC-1 1450L x 1020W | \$803.00 | N/A |
| RV-CS-1457-00 | Cargo Shelf single - 1400L Ventilated side panel and solid top shelf to fit FS-1.5 & FS-2 (large fridge space) Suits EAC-1 x 1450L x 1020W | \$803.00 | N/A |
| RV-CS-0812-00 | Cargo Shelf double - 800L Ventilated side panel and solid top shelf system. Fits EAC-2 1450L x 1020W fitted with a Trade Height top drawer. | \$567.00 | N/A |
| RV-IBFS-1300-DS | Inbuilt Fridge Slide - flush fitting 1300L (Driver Side) <i>Premium drawers only</i> | \$472.00 | N/A |
| RV-IBFS-1300-PS | Inbuilt Fridge Slide - flush fitting 1300L (Passenger Side) <i>Premium drawers only</i> | \$472.00 | N/A |
| PS/PA-RV-FS-1 | Heavy Duty Fridge Slide - 750L x 455W x 80H (external incl. Travel Lock) | \$472.00 | \$522.00 |
| PS-RV-FS-1-SO | Heavy Duty Fridge Slide - 450L x 770W x 110H (external incl. Travel Lock) | \$472.00 | N/A |
| PS/PA-RV-FS-1.5 | Heavy Duty Fridge Slide - 750L x 530W x 80H (external incl. Travel Lock) | \$520.00 | \$570.00 |
| PS/PA-RV-FS-2 | Heavy Duty Fridge Slide - 850L x 560W x 80H (external incl. Travel Lock) | \$567.00 | \$617.00 |
| PS-RV-FS-2-SO | Heavy Duty Fridge Slide - 550L x 870W x 110H (external incl. Travel Lock) | \$567.00 | N/A |
| PS/PA-RV-FS-2.25 | Heavy Duty Fridge Slide - 950L x 560W x 80H (external incl. Travel Lock) | \$590.00 | \$640.00 |
| PS/PA-RV-FS-2.5 | Heavy Duty Fridge Slide - 1050L x 560W x 80H (external incl. Travel Lock) | \$685.00 | \$735.00 |
| PS/PA-RV-FS-3 | Heavy Duty Fridge Slide - 1410L x 455W x 80H (external incl. Travel Lock) | \$886.00 | \$961.00 |
| PS/PA-RV-FS-3.5 | Heavy Duty Fridge Slide - 1410L x 560W x 80H (external incl. Travel Lock) | \$886.00 | \$961.00 |

Travel Slide Drawers available on page 181
 Inbuilt Fridge Slides N/A for alloy drawers

| VEHICLE MAKE MODEL | TOYOTA HIACE VAN H200 LWB (March 2005-2018) - 1500x1020 / 1200x970 TOYOTA | | |
|--|--|------------|------------|
| PA: Premium Alloy | TRADE HEIGHT DRAWERS +\$100 PER DRAWER | | |
| PS: Premium Steel | PREMBLK: PREMIUM BLACK RRP +180.00 (option) | | |
| EL: EcoLite | DESCRIPTION (PRICES INCLUDE WING KIT UNLESS OTHERWISE STATED) | PS RRP | PA RRP |
| PS/PA-022101-155127-SSL | Single Drawer & Wing Kit REAR DOOR - Standard Height to Passenger Side 1500L x 510W x 275H | \$1,540.00 | \$1,690.00 |
| PS/PA-022101-155127-SSR | Single Drawer & Wing Kit REAR DOOR - Standard Height to Driver Side 1500L x 510W x 275H | \$1,540.00 | \$1,690.00 |
| PS/PA-022101-155136-SHL | Single Drawer & Wing Kit REAR DOOR - Trade Height to Passenger Side 1500L x 510W x 365H | \$1,640.00 | \$1,790.00 |
| PS/PA-022101-155136-SHR | Single Drawer & Wing Kit REAR DOOR - Trade Height to Driver Side 1500L x 510W x 365H | \$1,640.00 | \$1,790.00 |
| EL-022101-151227-TDS | EcoLite Twin Drawer & Wing Kit - Standard Height 1500L x 1020W x 275H | \$2,150.00 | N/A |
| PS/PA-022101-151227-TDS | Twin Drawer & Wing Kit REAR DOOR - Standard Height 1500L x 1020W x 275H | \$2,980.00 | \$3,280.00 |
| PS-022101-151236-TDH | Twin Drawer & Wing Kit REAR DOOR - Trade Height 1500L x 1020W x 365H | \$3,180.00 | N/A |
| EL-022102-129727-TDS | EcoLite Twin Drawer & Wing Kit - Standard Height 1200L x 970W x 275H | \$2,010.00 | N/A |
| PS/PA-022102-129727-TDS | Twin Drawer & Wing Kit SIDE DOOR - Standard Height 1200L x 970W x 275H | \$2,760.00 | \$3,060.00 |
| PS/PA-022102-129736-TDH | Twin Drawer & Wing Kit SIDE DOOR - Trade Height 1200L x 970W x 365H | \$2,960.00 | \$3,260.00 |
| RV-IBFS-1300-DS | Inbuilt Fridge Slide - flush fitting 1300L (Driver Side) <i>Premium Rear drawers only</i> | \$472.00 | N/A |
| RV-IBFS-1300-PS | Inbuilt Fridge Slide - flush fitting 1300L (Passenger Side) <i>Premium Rear drawers only</i> | \$472.00 | N/A |
| PS/PA-RV-FS-1 | Heavy Duty Fridge Slide - 750L x 455W x 80H (external incl. Travel Lock) | \$472.00 | \$522.00 |
| PS-RV-FS-1-SO | Heavy Duty Fridge Slide - 450L x 770W x 110H (external incl. Travel Lock) | \$472.00 | N/A |
| PS/PA-RV-FS-1.5 | Heavy Duty Fridge Slide - 750L x 530W x 80H (external incl. Travel Lock) | \$520.00 | \$570.00 |
| PS/PA-RV-FS-2 | Heavy Duty Fridge Slide - 850L x 560W x 80H (external incl. Travel Lock) | \$567.00 | \$617.00 |
| PS-RV-FS-2-SO | Heavy Duty Fridge Slide - 550L x 870W x 110H (external incl. Travel Lock) | \$567.00 | N/A |
| PS/PA-RV-FS-2.25 | Heavy Duty Fridge Slide - 950L x 560W x 80H (external incl. Travel Lock) | \$590.00 | \$640.00 |
| PS/PA-RV-FS-2.5 | Heavy Duty Fridge Slide - 1050L x 560W x 80H (external incl. Travel Lock) | \$685.00 | \$735.00 |
| PS/PA-RV-FS-3 | Heavy Duty Fridge Slide - 1410L x 455W x 80H (external incl. Travel Lock) | \$886.00 | \$961.00 |
| PS/PA-RV-FS-3.5 | Heavy Duty Fridge Slide - 1410L x 560W x 80H (external incl. Travel Lock) | \$886.00 | \$961.00 |
| Inbuilt Fridge Slides N/A for alloy drawers | | | |

| VEHICLE MAKE MODEL | TOYOTA HIACE VAN H300 LWB & CREW CAB (March 2019+) - 1500x1140 / 1200x900 or 1300x1140 TOYOTA | | |
|--|---|------------|------------|
| PA: Premium Alloy PS: Premium Steel EL: EcoLite | TRADE HEIGHT DRAWERS +\$100 PER DRAWER PREMBLK: PREMIUM BLACK RRP +180.00 (option) | | |
| | DESCRIPTION (PRICES INCLUDE WING KIT UNLESS OTHERWISE STATED) | PS RRP | PA RRP |
| PS-022103-151427-SSL | Single Drawer & Wing Kit REAR DOOR - Standard Height to Passenger Side 1500L x 570W x 275H | \$1,560.00 | N/A |
| PS-022103-151427-SSR | Single Drawer & Wing Kit REAR DOOR - Standard Height to Driver Side 1500L x 570W x 275H | \$1,560.00 | N/A |
| PS-022103-151436-SHL | Single Drawer & Wing Kit REAR DOOR - Trade Height to Passenger Side 1500L x 570W x 365H | \$1,660.00 | N/A |
| PS-022103-151436-SHR | Single Drawer & Wing Kit REAR DOOR - Trade Height to Driver Side 1500L x 570W x 365H | \$1,660.00 | N/A |
| EL-022103-151227-TDS | EcoLite Twin Drawer & Wing Kit - Standard Height 1500L x 1020W x 275H | \$2,150.00 | N/A |
| PS-022103-151427-TDS | Twin Drawer & Wing Kit REAR DOOR - Standard Height 1500L x 1140W x 275H | \$3,025.00 | N/A |
| PS-022103-151436-TDH | Twin Drawer & Wing Kit REAR DOOR - Trade Height 1500L x 1140W x 365H | \$3,225.00 | N/A |
| PS/PA-022103-131427-TDS | Twin Drawer & Wing Kit REAR DOOR - Standard Height 1300L x 1140W x 275H <i>Premium Rear drawers 5 seat crew cab only!</i> | \$2,860.00 | \$3,160.00 |
| PS/PA-022103-131436-TDH | Twin Drawer & Wing Kit REAR DOOR - Trade Height 1300L x 1140W x 365H <i>Premium Rear drawers 5 seat crew cab only!</i> | \$3,060.00 | \$3,360.00 |
| EL-022104-120927-TDS | EcoLite Twin Drawer & Wing Kit - Standard Height 1200L x 900W x 275H | \$2,020.00 | N/A |
| PS/PA-022104-120927-TDS | Twin Drawer & Wing Kit SIDE DOOR - Standard Height 1200L x 900W x 275H | \$2,760.00 | \$3,060.00 |
| PS/PA-022104-120936-TDH | Twin Drawer & Wing Kit SIDE DOOR - Trade Height 1200L x 900W x 365H | \$2,960.00 | \$3,260.00 |
| RV-IBFS-1300-DS | Inbuilt Fridge Slide - flush fitting 1300L (Driver Side) <i>Premium Rear drawers only</i> | \$472.00 | N/A |
| RV-IBFS-1300-PS | Inbuilt Fridge Slide - flush fitting 1300L (Passenger Side) <i>Premium Rear drawers only</i> | \$472.00 | N/A |
| PS/PA-RV-FS-1 | Heavy Duty Fridge Slide - 750L x 455W x 80H (external incl. Travel Lock) | \$472.00 | \$522.00 |
| PS-RV-FS-1-SO | Heavy Duty Fridge Slide - 450L x 770W x 110H (external incl. Travel Lock) | \$472.00 | N/A |
| PS/PA-RV-FS-1.5 | Heavy Duty Fridge Slide - 750L x 530W x 80H (external incl. Travel Lock) | \$520.00 | \$570.00 |
| PS/PA-RV-FS-2 | Heavy Duty Fridge Slide - 850L x 560W x 80H (external incl. Travel Lock) | \$567.00 | \$617.00 |
| PS-RV-FS-2-SO | Heavy Duty Fridge Slide - 550L x 870W x 110H (external incl. Travel Lock) | \$567.00 | N/A |
| PS/PA-RV-FS-2.25 | Heavy Duty Fridge Slide - 950L x 560W x 80H (external incl. Travel Lock) | \$590.00 | \$640.00 |
| PS/PA-RV-FS-2.5 | Heavy Duty Fridge Slide - 1050L x 560W x 80H (external incl. Travel Lock) | \$685.00 | \$735.00 |
| PS/PA-RV-FS-3 | Heavy Duty Fridge Slide - 1410L x 455W x 80H (external incl. Travel Lock) | \$886.00 | \$961.00 |
| PS/PA-RV-FS-3.5 | Heavy Duty Fridge Slide - 1410L x 560W x 80H (external incl. Travel Lock) | \$886.00 | \$961.00 |
| We can build 1400L drawers for the H300 LWB side door BUT customer will need to measure it to be sure and it will overhang the steps. Inbuilt Fridge Slides N/A for alloy drawers | | | |

| VEHICLE MAKE MODEL | VOLKSWAGEN CADDY VAN 2KN 1.9DT (2005 +) - 1200x970 / 1300x485 SHORT WHEEL BASE | | | VOLKSWAGEN |
|---|---|------------|------------|------------|
| PA: Premium Alloy PS: Premium Steel EL: EcoLite | TRADE HEIGHT DRAWERS +\$100 PER DRAWER | | | |
| | PREMBLK: PREMIUM BLACK RRP +180.00 (option) | | | |
| | DESCRIPTION (PRICES INCLUDE WING KIT UNLESS OTHERWISE STATED) | PS RRP | PA RRP | |
| PS/PA-110101-124827-SSL | Single Drawer & Wing Kit REAR DOOR - Standard Height to Passenger Side 1200L x 485W x 275H | \$1,430.00 | \$1,580.00 | |
| PS/PA-110101-124827-SSR | Single Drawer & Wing Kit REAR DOOR - Standard Height to Driver Side 1200L x 485W x 275H | \$1,430.00 | \$1,580.00 | |
| PS/PA-110101-124836-SHL | Single Drawer & Wing Kit REAR DOOR - Trade Height to Passenger Side 1200L x 485W x 365H | \$1,530.00 | \$1,680.00 | |
| PS/PA-110101-124836-SHR | Single Drawer & Wing Kit REAR DOOR - Trade Height to Driver Side 1200L x 485W x 365H | \$1,530.00 | \$1,680.00 | |
| EL-110101-129727-TDS | EcoLite Twin Drawer & Wing Kit - Standard Height 1200L x 970W x 275H | \$2,020.00 | N/A | |
| PS/PA-110101-129727-TDS | Twin Drawer & Wing Kit REAR DOOR - Standard Height 1200L x 970W x 275H | \$2,760.00 | \$3,060.00 | |
| PS/PA-110101-129736-TDH | Twin Drawer & Wing Kit REAR DOOR - Trade Height 1200L x 970W x 365H | \$2,960.00 | \$3,260.00 | |
| PS/PA-110102-134827-TDS | Single Drawer & Wing Kit SIDE DOOR - Standard Height 1300L x 485W x 275H | \$1,460.00 | \$1,610.00 | |
| PS/PA-110102-134836-TDH | Single Drawer & Wing Kit SIDE DOOR - Trade Height 1300L x 485W x 365H | \$1,560.00 | \$1,710.00 | |
| RV-IBFS-1000-DS | Inbuilt Fridge Slide - flush fitting 1000L (Driver Side) <i>Premium Rear drawers only</i> | \$448.00 | N/A | |
| RV-IBFS-1000-PS | Inbuilt Fridge Slide - flush fitting 1000L (Passenger Side) <i>Premium Rear drawers only</i> | \$448.00 | N/A | |
| PS/PA-RV-FS-1 | Heavy Duty Fridge Slide - 750L x 455W x 80H (external incl. Travel Lock) | \$472.00 | \$522.00 | |
| PS/PA-RV-FS-1-SO | Heavy Duty Fridge Slide - 450L x 770W x 110H (external incl. Travel Lock) | \$472.00 | N/A | |
| PS/PA-RV-FS-1.5 | Heavy Duty Fridge Slide - 750L x 530W x 80H (external incl. Travel Lock) | \$520.00 | \$570.00 | |
| PS/PA-RV-FS-2 | Heavy Duty Fridge Slide - 850L x 560W x 80H (external incl. Travel Lock) | \$567.00 | \$617.00 | |
| PS/PA-RV-FS-2-SO | Heavy Duty Fridge Slide - 550L x 870W x 110H (external incl. Travel Lock) | \$567.00 | N/A | |
| PS/PA-RV-FS-2.25 | Heavy Duty Fridge Slide - 950L x 560W x 80H (external incl. Travel Lock) | \$590.00 | \$640.00 | |
| PS/PA-RV-FS-2.5 | Heavy Duty Fridge Slide - 1050L x 560W x 80H (external incl. Travel Lock) | \$685.00 | \$735.00 | |
| Inbuilt Fridge Slides N/A for alloy drawers | | | | |

| VEHICLE MAKE MODEL | VOLKSWAGEN CADDY VAN 2KN 1.9DT (2005 +) - 1500x970 / 1300x485 LONG WHEEL BASE | | | VOLKSWAGEN |
|---|---|------------|------------|------------|
| PA: Premium Alloy PS: Premium Steel EL: EcoLite | TRADE HEIGHT DRAWERS +\$100 PER DRAWER | | | |
| | PREMBLK: PREMIUM BLACK RRP +180.00 (option) | | | |
| | DESCRIPTION (PRICES INCLUDE WING KIT UNLESS OTHERWISE STATED) | PS RRP | PA RRP | |
| PS/PA-110103-154827-SSL | Single Drawer & Wing Kit REAR DOOR - Standard Height to Passenger Side 1500L x 485W x 275H | \$1,540.00 | \$1,690.00 | |
| PS/PA-110103-154827-SSR | Single Drawer & Wing Kit REAR DOOR - Standard Height to Driver Side 1500L x 485W x 275H | \$1,540.00 | \$1,690.00 | |
| PS/PA-110103-154836-SHL | Single Drawer & Wing Kit REAR DOOR - Trade Height to Passenger Side 1500L x 485W x 365H | \$1,640.00 | \$1,790.00 | |
| PS/PA-110103-154836-SHR | Single Drawer & Wing Kit REAR DOOR - Trade Height to Driver Side 1500L x 485W x 365H | \$1,640.00 | \$1,790.00 | |
| EL-110103-159727-TDS | EcoLite Twin Drawer & Wing Kit - Standard Height 1500L x 970W x 275H | \$2,150.00 | N/A | |
| PS/PA-110103-159727-TDS | Twin Drawer & Wing Kit REAR DOOR - Standard Height 1500L x 970W x 275H | \$2,980.00 | \$3,280.00 | |
| PS-110103-159736-TDH | Twin Drawer & Wing Kit REAR DOOR - Trade Height 1500L x 970W x 365H | \$3,180.00 | N/A | |
| PS/PA-110102-134827-TDS | Single Drawer & Wing Kit SIDE DOOR - Standard Height 1300L x 485W x 275H | \$1,460.00 | \$1,610.00 | |
| PS/PA-110102-134836-TDH | Single Drawer & Wing Kit SIDE DOOR - Trade Height 1300L x 485W x 365H | \$1,560.00 | \$1,710.00 | |
| RV-IBFS-1300-DS | Inbuilt Fridge Slide - flush fitting 1300L (Driver Side) <i>Premium Rear drawers only</i> | \$472.00 | N/A | |
| RV-IBFS-1300-PS | Inbuilt Fridge Slide - flush fitting 1300L (Passenger Side) <i>Premium Rear drawers only</i> | \$472.00 | N/A | |
| PS/PA-RV-FS-1 | Heavy Duty Fridge Slide - 750L x 455W x 80H (external incl. Travel Lock) | \$472.00 | \$522.00 | |
| PS-RV-FS-1-SO | Heavy Duty Fridge Slide - 450L x 770W x 110H (external incl. Travel Lock) | \$472.00 | N/A | |
| PS/PA-RV-FS-1.5 | Heavy Duty Fridge Slide - 750L x 530W x 80H (external incl. Travel Lock) | \$520.00 | \$570.00 | |
| PS/PA-RV-FS-2 | Heavy Duty Fridge Slide - 850L x 560W x 80H (external incl. Travel Lock) | \$567.00 | \$617.00 | |
| PS-RV-FS-2-SO | Heavy Duty Fridge Slide - 550L x 870W x 110H (external incl. Travel Lock) | \$567.00 | N/A | |
| PS/PA-RV-FS-2.25 | Heavy Duty Fridge Slide - 950L x 560W x 80H (external incl. Travel Lock) | \$590.00 | \$640.00 | |
| PS/PA-RV-FS-2.5 | Heavy Duty Fridge Slide - 1050L x 560W x 80H (external incl. Travel Lock) | \$685.00 | \$735.00 | |
| Inbuilt Fridge Slides N/A for alloy drawers | | | | |

| VEHICLE MAKE MODEL | VOLKSWAGEN TRANSPORTER T5 1.9DT (August 2004 - 2015) - 1500x1140 / 1500x570 SHORT WHEEL BASE | | |
|---|---|------------|----------|
| PA: Premium Alloy PS: Premium Steel EL: EcoLite | TRADE HEIGHT DRAWERS +\$100 PER DRAWER | | |
| | PREMBLK: PREMIUM BLACK RRP +180.00 (option) | | |
| | DESCRIPTION (PRICES INCLUDE WING KIT UNLESS OTHERWISE STATED) | PS RRP | PA RRP |
| PS-110201-155727-SSL | Single Drawer & Wing Kit REAR DOOR - Standard Height to Passenger Side 1500L x 570W x 275H | \$1,560.00 | N/A |
| PS-110201-155727-SSR | Single Drawer & Wing Kit REAR DOOR - Standard Height to Driver Side 1500L x 570W x 275H | \$1,560.00 | N/A |
| PS-110201-155736-SHL | Single Drawer & Wing Kit REAR DOOR - Trade Height to Passenger Side 1500L x 570W x 365H | \$1,660.00 | N/A |
| PS-110201-155736-SHR | Single Drawer & Wing Kit REAR DOOR - Trade Height to Driver Side 1500L x 570W x 365H | \$1,660.00 | N/A |
| EL-110201-151227-TDS | EcoLite Twin Drawer & Wing Kit - Standard Height 1500L x 1020W x 275H (NOTE EcoLite Width: 1020W) | \$2,150.00 | N/A |
| PS-110201-151427-TDS | Twin Drawer & Wing Kit REAR DOOR - Standard Height 1500L x 1140W x 275H | \$3,025.00 | N/A |
| PS-110201-151436-TDH | Twin Drawer & Wing Kit REAR DOOR - Trade Height 1500L x 1140W x 365H | \$3,225.00 | N/A |
| PS-110202-155727-SSL | Single Drawer & Wing Kit SIDE DOOR - Standard Height 1500L x 570W x 275H | \$1,560.00 | N/A |
| PS-110202-155736-SHL | Single Drawer & Wing Kit SIDE DOOR - Trade Height 1500L x 570W x 365H | \$1,660.00 | N/A |
| RV-IBFS-1300-DS | Inbuilt Fridge Slide - flush fitting 1300L (Driver Side) Premium Rear drawers only | \$472.00 | N/A |
| RV-IBFS-1300-PS | Inbuilt Fridge Slide - flush fitting 1300L (Passenger Side) Premium Rear drawers only | \$472.00 | N/A |
| PS/PA-RV-FS-1 | Heavy Duty Fridge Slide - 750L x 455W x 80H (external incl. Travel Lock) | \$472.00 | \$522.00 |
| PS-RV-FS-1-SO | Heavy Duty Fridge Slide - 450L x 770W x 110H (external incl. Travel Lock) | \$472.00 | N/A |
| PS/PA-RV-FS-1.5 | Heavy Duty Fridge Slide - 750L x 530W x 80H (external incl. Travel Lock) | \$520.00 | \$570.00 |
| PS/PA-RV-FS-2 | Heavy Duty Fridge Slide - 850L x 560W x 80H (external incl. Travel Lock) | \$567.00 | \$617.00 |
| PS-RV-FS-2-SO | Heavy Duty Fridge Slide - 550L x 870W x 110H (external incl. Travel Lock) | \$567.00 | N/A |
| PS/PA-RV-FS-2.25 | Heavy Duty Fridge Slide - 950L x 560W x 80H (external incl. Travel Lock) | \$590.00 | \$640.00 |
| PS/PA-RV-FS-2.5 | Heavy Duty Fridge Slide - 1050L x 560W x 80H (external incl. Travel Lock) | \$685.00 | \$735.00 |
| PS/PA-RV-FS-3 | Heavy Duty Fridge Slide - 1410L x 455W x 80H (external incl. Travel Lock) | \$886.00 | \$961.00 |
| PS/PA-RV-FS-3.5 | Heavy Duty Fridge Slide - 1410L x 560W x 80H (external incl. Travel Lock) | \$886.00 | \$961.00 |

| VEHICLE MAKE MODEL | VOLKSWAGEN TRANSPORTER T6 (April 2015+) - 1500x1140 / 1500x570 LONG WHEEL BASE | | |
|---|--|------------|----------|
| PA: Premium Alloy PS: Premium Steel EL: EcoLite | TRADE HEIGHT DRAWERS +\$100 PER DRAWER | | |
| | PREMBLK: PREMIUM BLACK RRP +180.00 (option) | | |
| | DESCRIPTION (PRICES INCLUDE WING KIT UNLESS OTHERWISE STATED) | PS RRP | PA RRP |
| PS-110203-155727-SSL | Single Drawer & Wing Kit REAR DOOR - Standard Height to Passenger Side 1500L x 570W x 275H | \$1,560.00 | N/A |
| PS-110203-155727-SSR | Single Drawer & Wing Kit REAR DOOR - Standard Height to Driver Side 1500L x 570W x 275H | \$1,560.00 | N/A |
| PS-110203-155736-SHL | Single Drawer & Wing Kit REAR DOOR - Trade Height to Passenger Side 1500L x 570W x 365H | \$1,660.00 | N/A |
| PS-110203-155736-SHR | Single Drawer & Wing Kit REAR DOOR - Trade Height to Driver Side 1500L x 570W x 365H | \$1,660.00 | N/A |
| EL-110203-151227-TDS | EcoLite Twin Drawer & Wing Kit - Standard Height 1500L x 1020W x 275H (NOTE EcoLite Width: 1020W) | \$2,150.00 | N/A |
| PS-110203-151427-TDS | Twin Drawer & Wing Kit REAR DOOR - Standard Height 1500L x 1140W x 275H | \$3,025.00 | N/A |
| PS-110203-151436-TDH | Twin Drawer & Wing Kit REAR DOOR - Trade Height 1500L x 1140W x 365H | \$3,225.00 | N/A |
| PS-110204-155727-TDS | Single Drawer & Wing Kit SIDE DOOR - Standard Height 1500L x 570W x 275H | \$1,560.00 | N/A |
| PS-110204-155736-TDH | Single Drawer & Wing Kit SIDE DOOR - Trade Height 1500L x 570W x 365H | \$1,660.00 | N/A |
| PS/PA-RV-FS-1 | Heavy Duty Fridge Slide - 750L x 455W x 80H (external incl. Travel Lock) | \$472.00 | \$522.00 |
| PS-RV-FS-1-SO | Heavy Duty Fridge Slide - 450L x 770W x 110H (external incl. Travel Lock) | \$472.00 | N/A |
| PS/PA-RV-FS-1.5 | Heavy Duty Fridge Slide - 750L x 530W x 80H (external incl. Travel Lock) | \$520.00 | \$570.00 |
| PS/PA-RV-FS-2 | Heavy Duty Fridge Slide - 850L x 560W x 80H (external incl. Travel Lock) | \$567.00 | \$617.00 |
| PS-RV-FS-2-SO | Heavy Duty Fridge Slide - 550L x 870W x 110H (external incl. Travel Lock) | \$567.00 | N/A |
| PS/PA-RV-FS-2.25 | Heavy Duty Fridge Slide - 950L x 560W x 80H (external incl. Travel Lock) | \$590.00 | \$640.00 |
| PS/PA-RV-FS-2.5 | Heavy Duty Fridge Slide - 1050L x 560W x 80H (external incl. Travel Lock) | \$685.00 | \$735.00 |
| PS/PA-RV-FS-3 | Heavy Duty Fridge Slide - 1410L x 455W x 80H (external incl. Travel Lock) | \$886.00 | \$961.00 |
| PS/PA-RV-FS-3.5 | Heavy Duty Fridge Slide - 1410L x 560W x 80H (external incl. Travel Lock) | \$886.00 | \$961.00 |

| VEHICLE MAKE MODEL | VOLKSWAGEN AMAROK Dual Cab XL, Trendline, Highline, Ultimate (2011 +) - 1450x1140 NO TUB LINER | VOLKSWAGEN | |
|--|--|------------|------------|
| PA: Premium Alloy PS: Premium Steel EL: EcoLite | TRADE HEIGHT DRAWERS +\$100 PER DRAWER | | |
| | PREMBLK: PREMIUM BLACK RRP +180.00 (option) | | |
| | DESCRIPTION (PRICES INCLUDE WING KIT UNLESS OTHERWISE STATED) | PS RRP | PA RRP |
| PS/PA-110301-455727-SSL | Single Drawer & Wing Kit - Standard Height to Passenger Side 1450L x 570W x 275H | \$1,535.00 | \$1,685.00 |
| PS/PA-110301-455727-SSR | Single Drawer & Wing Kit - Standard Height to Driver Side 1450L x 570W x 275H | \$1,535.00 | \$1,685.00 |
| PS-110301-455736-SHL | Single Drawer & Wing Kit - Trade Height to Passenger Side 1450L x 570W x 365H | \$1,635.00 | N/A |
| PS-110301-455736-SHR | Single Drawer & Wing Kit - Trade Height to Driver Side 1450L x 570W x 365H | \$1,635.00 | N/A |
| EL-110301-451227-TDS | EcoLite Twin Drawer & Wing Kit - Standard Height 1450L x 1020W x 275H (NOTE EcoLite Width: 1020W) | \$2,110.00 | N/A |
| PS/PA-110301-451427-TDS | Twin Drawer & Wing Kit - Standard Height 1450L x 1140W x 275H | \$2,970.00 | \$3,270.00 |
| PS-110301-451436-TDH | Twin Drawer & Wing Kit - Trade Height 1450L x 1140W x 365H | \$3,170.00 | N/A |
| PS/PA-110301-451430-FDC-E/D | Fridge Drawer Combo with 30L Engel/Dometic Fitkit - 1450L x 1140W x 300H **Fridge not included Liftout Hatch provided to access space behind the fridge (100mm narrower if tie downs added to top) - 633L x 431W | \$2,690.00 | \$2,840.00 |
| PS-110301-451436-FDC-EK | Fridge Drawer Combo with 40L EvaKool Fitkit - 1450L x 1140W x 365H **Fridge not included Liftout Hatch provided to access space behind the fridge (100mm narrower if tie downs added to top) - 633L x 560W | \$2,800.00 | N/A |
| PS-110301-451436-FDC-IM | Fridge Drawer Combo with 40L Ironman Fitkit - 1450L x 1140W x 365H **Fridge not included Liftout Hatch provided to access space behind the fridge (100mm narrower if tie downs added to top) - 633L x 510W | \$2,800.00 | N/A |
| PS-110301-451436-FDC-BM | Fridge Drawer Combo with 30L Bushman Fitkit - 1450L x 1140W x 365H **Fridge not included Liftout Hatch provided to access space behind the fridge (100mm narrower if tie downs added to top) - 633L x 431W | \$2,800.00 | N/A |
| PS/PA-110301-451427-1LL | Easy Access Combo 1 & Wing Kit - Large Low Platform to Passenger Side (Gap size 570W). Single Drawer O/A 1450L x 570W x 275H. Total Combo O/A 1450L x 1140W x 275H. (Suits all RV-FS listed below except SO *Not Included) | \$2,465.00 | \$2,615.00 |
| PS/PA-110301-451427-1LR | Easy Access Combo 1 & Wing Kit - Large Low Platform to Driver Side (Gap size 570W). Single Drawer O/A 1450L x 570W x 275H. Total Combo O/A 1450L x 1140W x 275H. (Suits all RV-FS listed below except SO *Not Included) | \$2,465.00 | \$2,615.00 |
| PS/PA-110301-451427-2LL | Easy Access Combo 2 & Wing Kit - Large Low Platform to Passenger Side (Gap size 570W). Double Stacked Drawers (Standard Height Bottom Drawer O/A 1450L x 570W x 275H, Trade Height Top Drawer O/A 1100L x 570W x 365H). Total Combo O/A 1450L x 1140W x 640H. (Suits all RV-FS listed below except SO *Not Included). Optional 1100L Standard Height top drawer minus -\$100.00 | \$3,185.00 | \$3,485.00 |
| PS/PA-110301-451427-2LR | Easy Access Combo 2 & Wing Kit - Large Low Platform to Driver Side (Gap size 570W). Double Stacked Drawers (Standard Height Bottom Drawer O/A 1450L x 570W x 275H, Trade Height Top Drawer O/A 1100L x 570W x 365H). Total Combo O/A 1450L x 1140W x 640H. (Suits all RV-FS listed below except SO *Not Included). Optional 1100L Standard Height top drawer minus -\$100.00 | \$3,185.00 | \$3,485.00 |
| RV-EAC-IFP-1450 | Easy Access Combo INFILL PANEL - covers fridge slide cavity to create a flat solid top effect (NOTE: top drawer must be removed on EAC-2 systems) | \$224.00 | N/A |
| RV-CS-1457-00 | Cargo Shelf single - 1400L Ventilated side panel and solid top shelf to fit 570W fridge space. (large fridge space) Suits EAC-1 drawers 1450L x 1140W | \$803.00 | N/A |
| RV-CS-0814-00 | Cargo Shelf double - 800L Ventilated side panel and solid top shelf system. Fits EAC-2 1450L x 1140W fitted with a Trade Height top drawer | \$567.00 | N/A |
| RV-IBFS-1300-DS | Inbuilt Fridge Slide - flush fitting 1300L (Driver Side) <i>Premium drawers only</i> | \$472.00 | N/A |
| RV-IBFS-1300-PS | Inbuilt Fridge Slide - flush fitting 1300L (Passenger Side) <i>Premium drawers only</i> | \$472.00 | N/A |
| PS/PA-RV-FS-1 | Heavy Duty Fridge Slide - 750L x 455W x 80H (external incl. Travel Lock) | \$472.00 | \$522.00 |
| PS-RV-FS-1-SO | Heavy Duty Fridge Slide - 450L x 770W x 110H (external incl. Travel Lock) | \$472.00 | N/A |
| PS/PA-RV-FS-1.5 | Heavy Duty Fridge Slide - 750L x 530W x 80H (external incl. Travel Lock) | \$520.00 | \$570.00 |
| PS/PA-RV-FS-2 | Heavy Duty Fridge Slide - 850L x 560W x 80H (external incl. Travel Lock) | \$567.00 | \$617.00 |
| PS-RV-FS-2-SO | Heavy Duty Fridge Slide - 550L x 870W x 110H (external incl. Travel Lock) | \$567.00 | N/A |
| PS/PA-RV-FS-2.25 | Heavy Duty Fridge Slide - 950L x 560W x 80H (external incl. Travel Lock) | \$590.00 | \$640.00 |
| PS/PA-RV-FS-2.5 | Heavy Duty Fridge Slide - 1050L x 560W x 80H (external incl. Travel Lock) | \$685.00 | \$735.00 |
| PS/PA-RV-FS-3 | Heavy Duty Fridge Slide - 1410L x 455W x 80H (external incl. Travel Lock) | \$886.00 | \$961.00 |
| PS/PA-RV-FS-3.5 | Heavy Duty Fridge Slide - 1410L x 560W x 80H (external incl. Travel Lock) | \$886.00 | \$961.00 |
| Please make note if your Amarak has AdBlue Tank or not Travel Slide Drawers available on page 181 Inbuilt Fridge Slides N/A for alloy drawers | | | |

| VEHICLE MAKE MODEL | VOLKSWAGEN AMAROK Dual Cab XL, Trendline, Highline, Ultimate (2011 +) - 1400x1140 LINER VOLKSWAGEN | | |
|---|--|------------|------------|
| PA: Premium Alloy PS: Premium Steel EL: EcoLite | TRADE HEIGHT DRAWERS +\$100 PER DRAWER | | |
| | PREMBLK: PREMIUM BLACK RRP +180.00 (option) | | |
| | DESCRIPTION (PRICES INCLUDE WING KIT UNLESS OTHERWISE STATED) | PS RRP | PA RRP |
| PS/PA-110302-145727-SSL | Single Drawer & Wing Kit - Standard Height to Passenger Side 1400L x 570W x 275H | \$1,505.00 | \$1,655.00 |
| PS/PA-110302-145727-SSR | Single Drawer & Wing Kit - Standard Height to Driver Side 1400L x 570W x 275H | \$1,505.00 | \$1,655.00 |
| PS/PA-110302-145736-SHL | Single Drawer & Wing Kit - Trade Height to Passenger Side 1400L x 570W x 365H | \$1,605.00 | \$1,755.00 |
| PS/PA-110302-145736-SHR | Single Drawer & Wing Kit - Trade Height to Driver Side 1400L x 570W x 365H | \$1,605.00 | \$1,755.00 |
| EL-110302-141227-TDS | EcoLite Twin Drawer & Wing Kit - Standard Height 1400L x 1020W x 275H (NOTE WIDTH: 1020W) | \$2,080.00 | N/A |
| PS/PA-110302-141427-TDS | Twin Drawer & Wing Kit - Standard Height 1400L x 1140W x 275H | \$2,915.00 | \$3,215.00 |
| PS/PA-110302-141436-TDH | Twin Drawer & Wing Kit - Trade Height 1400L x 1140W x 365H | \$3,115.00 | \$3,415.00 |
| PS/PA-110302-141430-FDC-E/D | Fridge Drawer Combo with 30L Engel/Dometic Fitkit - 1400L x 1140W x 300H **Fridge not included Liftout Hatch provided to access space behind the fridge (100mm narrower if tie downs added to top) - 583L x 431W | \$2,690.00 | \$2,840.00 |
| PS/PA-110302-141436-FDC-EK | Fridge Drawer Combo with 40L EvaKool Fitkit - 1400L x 1140W x 365H **Fridge not included Liftout Hatch provided to access space behind the fridge (100mm narrower if tie downs added to top) - 583L x 560W | \$2,800.00 | \$2,950.00 |
| PS/PA-110302-141436-FDC-IM | Fridge Drawer Combo with 40L Ironman Fitkit - 1400L x 1140W x 365H **Fridge not included Liftout Hatch provided to access space behind the fridge (100mm narrower if tie downs added to top) - 583L x 510W | \$2,800.00 | \$2,950.00 |
| PS/PA-110302-141436-FDC-BM | Fridge Drawer Combo with 30L Bushman Fitkit - 1400L x 1140W x 365H **Fridge not included Liftout Hatch provided to access space behind the fridge (100mm narrower if tie downs added to top) - 583L x 431W | \$2,800.00 | \$2,950.00 |
| PS/PA-110302-141427-1LL | Easy Access Combo 1 & Wing Kit - Large Low Platform to Passenger Side (Gap size 570W). Single Drawer O/A 1400L x 570W x 275H. Total Combo O/A 1400L x 1140W x 275H. (Suits all RV-FS listed below except SO *Not Included) | \$2,435.00 | \$2,585.00 |
| PS/PA-110302-141427-1LR | Easy Access Combo 1 & Wing Kit - Large Low Platform to Driver Side (Gap size 570W). Single Drawer O/A 1400L x 570W x 275H. Total Combo O/A 1400L x 1140W x 275H. (Suits all RV-FS listed below except SO *Not Included) | \$2,435.00 | \$2,585.00 |
| PS/PA-110302-141427-2LL | Easy Access Combo 2 & Wing Kit - Large Low Platform to Passenger Side (Gap size 570W). Double Stacked Drawers (Standard Height Bottom Drawer O/A 1400L x 570W x 275H, Trade Height Top Drawer O/A 1100L x 570W x 365H). Total Combo O/A 1400L x 1140W x 640H. (Suits all RV-FS listed below except SO *Not Included). Optional 1100L Standard Height top drawer minus -\$100.00 | \$3,130.00 | \$3,430.00 |
| PS/PA-110302-141427-2LR | Easy Access Combo 2 & Wing Kit - Large Low Platform to Driver Side (Gap size 570W). Double Stacked Drawers (Standard Height Bottom Drawer O/A 1400L x 570W x 275H, Trade Height Top Drawer O/A 1100L x 570W x 365H). Total Combo O/A 1400L x 1140W x 640H. (Suits all RV-FS listed below except SO *Not Included). Optional 1100L Standard Height top drawer minus -\$100.00 | \$3,130.00 | \$3,430.00 |
| RV-EAC-IFP-1400 | Easy Access Combo INFILL PANEL - covers fridge slide cavity to create a flat solid top effect (NOTE: top drawer must be removed on EAC-2 systems) | \$224.00 | N/A |
| RV-CS-1457-00 | Cargo Shelf single - 1400L Ventilated side panel and solid top shelf to fit FS1.5 & FS-2 (large fridge space) Suits EAC-1 1400L x 1020W | \$803.00 | N/A |
| RV-CS-0814-00 | Cargo Shelf double - 800L Ventilated side panel and solid top shelf system. Fits EAC-2 1450L x 1140W fitted with a Trade Height top drawer | \$567.00 | N/A |
| RV-IBFS-1300-DS | Inbuilt Fridge Slide - flush fitting 1300L (Driver Side) Premium drawers only | \$472.00 | N/A |
| RV-IBFS-1300-PS | Inbuilt Fridge Slide - flush fitting 1300L (Passenger Side) Premium drawers only | \$472.00 | N/A |
| PS/PA-RV-FS-1 | Heavy Duty Fridge Slide - 750L x 455W x 80H (external incl. Travel Lock) | \$472.00 | \$522.00 |
| PS-RV-FS-1-SO | Heavy Duty Fridge Slide - 450L x 770W x 110H (external incl. Travel Lock) | \$472.00 | N/A |
| PS/PA-RV-FS-1.5 | Heavy Duty Fridge Slide - 750L x 530W x 80H (external incl. Travel Lock) | \$520.00 | \$570.00 |
| PS/PA-RV-FS-2 | Heavy Duty Fridge Slide - 850L x 560W x 80H (external incl. Travel Lock) | \$567.00 | \$617.00 |
| PS-RV-FS-2-SO | Heavy Duty Fridge Slide - 550L x 870W x 110H (external incl. Travel Lock) | \$567.00 | N/A |
| PS/PA-RV-FS-2.25 | Heavy Duty Fridge Slide - 950L x 560W x 80H (external incl. Travel Lock) | \$590.00 | \$640.00 |
| PS/PA-RV-FS-2.5 | Heavy Duty Fridge Slide - 1050L x 560W x 80H (external incl. Travel Lock) | \$685.00 | \$735.00 |
| PS/PA-RV-FS-3 | Heavy Duty Fridge Slide - 1410L x 455W x 80H (external incl. Travel Lock) | \$886.00 | \$961.00 |
| PS/PA-RV-FS-3.5 | Heavy Duty Fridge Slide - 1410L x 560W x 80H (external incl. Travel Lock) | \$886.00 | \$961.00 |

Please make note if your Amarok has AdBlue Tank or not
Travel Slide Drawers available on page 181
Inbuilt Fridge Slides N/A for alloy drawers

| VEHICLE MAKE MODEL | VOLKSWAGEN NEXT-GEN AMAROK (NF) - 1450x1140 DUAL CAB - CORE, LIFE, PAN AMERICANA (2023+) NO TUB LINER/SPRAY ON LINER NO ROLLER SHUTTER | | |
|---|--|------------|------------|
| PA: Premium Alloy PS: Premium Steel EL: EcoLite | TRADE HEIGHT DRAWERS +\$100 PER DRAWER | | |
| | PREMLBK: PREMIUM BLACK RRP +\$180.00 (option) | | |
| | DESCRIPTION (PRICES INCLUDE WING KIT UNLESS OTHERWISE STATED) | PS RRP | PA RRP |
| PS/PA-110401A-455727-SSL | Single Drawer & Wing Kit - Standard Height to Passenger Side 1450L x 570W x 275H | \$1,535.00 | \$1,685.00 |
| PS/PA-110401A-455727-SSR | Single Drawer & Wing Kit - Standard Height to Driver Side 1450L x 570W x 275H | \$1,535.00 | \$1,685.00 |
| PS-110401A-455736-SHL | Single Drawer & Wing Kit - Trade Height to Passenger Side 1450Lx570Wx365H | \$1,635.00 | N/A |
| PS-110401A-455736-SHR | Single Drawer & Wing Kit - Trade Height to Driver Side 1450L x 570W x 365H | \$1,635.00 | N/A |
| EL-110401A-451227-TDS | EcoLite Twin Drawer & Wing Kit - Standard Height 1450L x 1020W x 275H | \$2,110.00 | N/A |
| PS/PA-110401A-451427-TDS | Twin Drawer & Wing Kit - Standard Height 1450L x 1140W x 275H | \$2,970.00 | \$3,270.00 |
| PS-110401A-451436-TDH | Twin Drawer & Wing Kit - Trade Height 1450L x 1140W x 365H | \$3,170.00 | N/A |
| PS/PA-110401A-451430-FDC-E/D | Fridge Drawer Combo with 30L Engel/Dometic Fitkit - 1450L x 1140W x 300H **Fridge not included Liftout Hatch provided to access space behind the fridge (100mm narrower if tie downs added to top) - 633L x 431W | \$2,690.00 | \$2,840.00 |
| PS-110401A-451436-FDC-EK | Fridge Drawer Combo with 40L EvaKool Fitkit - 1450L x 1140W x 365H **Fridge not included Liftout Hatch provided to access space behind the fridge (100mm narrower if tie downs added to top) - 633L x 560W | \$2,800.00 | N/A |
| PS-110401A-451436-FDC-IM | Fridge Drawer Combo with 40L Ironman Fitkit - 1450L x 1140W x 365H **Fridge not included Liftout Hatch provided to access space behind the fridge (100mm narrower if tie downs added to top) - 633L x 510W | \$2,800.00 | N/A |
| PS-110401A-451436-FDC-BM | Fridge Drawer Combo with 30L Bushman Fitkit - 1450L x 1140W x 365H **Fridge not included Liftout Hatch provided to access space behind the fridge (100mm narrower if tie downs added to top) - 633L x 431W | \$2,800.00 | N/A |
| PS/PA-110401A-451427-1LL | Easy Access Combo 1 & Wing Kit - Large Low Platform to Passenger Side (Gap size 570W). Single Drawer O/A 1450L x 570W x 275H. Total Combo O/A 1450L x 1140W x 275H. (Suits all RV-FS listed below except SO *Not Included) | \$2,465.00 | \$2,615.00 |
| PS/PA-110401A-451427-1LR | Easy Access Combo 1 & Wing Kit - Large Low Platform to Driver Side (Gap size 570W). Single Drawer O/A 1450L x 570W x 275H. Total Combo O/A 1450L x 1140W x 275H. (Suits all RV-FS listed below except SO *Not Included) | \$2,465.00 | \$2,615.00 |
| PS/PA-110401A-451427-2LL | Easy Access Combo 2 & Wing Kit - Large Low Platform to Passenger Side (Gap size 570W). Double Stacked Drawers (Standard Height Bottom Drawer O/A 1450L x 570W x 275H, Trade Height Top Drawer O/A 1100L x 570W x 365H). Total Combo O/A 1450L x 1140W x 640H. (Suits all RV-FS listed below except SO *Not Included). Optional 1100L Standard Height top drawer minus -\$100.00 | \$3,185.00 | \$3,485.00 |
| PS/PA-110401A-451427-2LR | Easy Access Combo 2 & Wing Kit - Large Low Platform to Driver Side (Gap size 570W). Double Stacked Drawers (Standard Height Bottom Drawer O/A 1450L x 570W x 275H, Trade Height Top Drawer O/A 1100L x 570W x 365H). Total Combo O/A 1450L x 1140W x 640H. (Suits all RV-FS listed below except SO *Not Included). Optional 1100L Standard Height top drawer minus -\$100.00 | \$3,185.00 | \$3,485.00 |
| RV-EAC-IFP-1450 | Easy Access Combo INFILL PANEL - covers fridge slide cavity to create a flat solid top effect (NOTE: top drawer must be removed on EAC-2 systems) | \$224.00 | N/A |
| RV-CS-1457-00 | Cargo Shelf single - 1400L Ventilated side panel and solid top shelf to fit all RV-Fridge Slides except SO. Suits EAC-1 1450L x 1140W. Cargo Shelf O/A L1293 x W566 x H685 | \$803.00 | N/A |
| RV-CS-0814-00 | Cargo Shelf double - 800L Ventilated side panel and solid top shelf system. Fits EAC-2 1450L x 1140W fitted with a Trade Height top drawer | \$567.00 | N/A |
| RV-IBFS-1300-DS | Inbuilt Fridge Slide - flush fitting 1300L (Driver Side) <i>Premium drawers only</i> | \$472.00 | N/A |
| RV-IBFS-1300-PS | Inbuilt Fridge Slide - flush fitting 1300L (Passenger Side) <i>Premium drawers only</i> | \$472.00 | N/A |
| PS/PA-RV-FS-1 | Heavy Duty Fridge Slide - 750L x 455W x 80H (external incl. Travel Lock) | \$472.00 | \$522.00 |
| PS-RV-FS-1-SO | Heavy Duty Fridge Slide - 450L x 770W x 110H (external incl. Travel Lock) (Twin drawer setups only) | \$472.00 | N/A |
| PS/PA-RV-FS-1.5 | Heavy Duty Fridge Slide - 750L x 530W x 80H (external incl. Travel Lock) | \$520.00 | \$570.00 |
| PS/PA-RV-FS-2 | Heavy Duty Fridge Slide - 850L x 560W x 80H (external incl. Travel Lock) | \$567.00 | \$617.00 |
| PS-RV-FS-2-SO | Heavy Duty Fridge Slide - 550L x 870W x 110H (external incl. Travel Lock) (Twin drawer setups only) | \$567.00 | N/A |
| PS/PA-RV-FS-2.25 | Heavy Duty Fridge Slide - 950L x 560W x 80H (external incl. Travel Lock) | \$590.00 | \$640.00 |
| PS/PA-RV-FS-2.5 | Heavy Duty Fridge Slide - 1050L x 560W x 80H (external incl. Travel Lock) | \$685.00 | \$735.00 |
| PS/PA-RV-FS-3 | Heavy Duty Fridge Slide - 1410L x 455W x 80H (external incl. Travel Lock) | \$886.00 | \$961.00 |
| PS/PA-RV-FS-3.5 | Heavy Duty Fridge Slide - 1410L x 560W x 80H (external incl. Travel Lock) | \$886.00 | \$961.00 |
| <p>Need to check whether there is a double or single power outlet in tub</p> <p>Trade Height systems only available in steel</p> <p>Travel Slide Drawers available on page 181</p> <p>Inbuilt Fridge Slides N/A for alloy drawers</p> | | | |

| VEHICLE MAKE MODEL | VOLKSWAGEN NEXT-GEN AMAROK (NF) - 1450x1140 / 1200x1140 DUAL CAB - CORE, LIFE, PAN AMERICANA (2023+) NO TUB LINER/SPRAY ON LINER WITH ROLLER SHUTTER | | |
|--|---|------------|------------|
| PA: Premium Alloy PS: Premium Steel EL: EcoLite | TRADE HEIGHT DRAWERS +\$100 PER DRAWER | | |
| | PREMBLK: PREMIUM BLACK RRP +180.00 (option) | | |
| | DESCRIPTION (PRICES INCLUDE WING KIT UNLESS OTHERWISE STATED) | PS RRP | PA RRP |
| PS/PA-110401B-455727-SSL | Single Drawer & Wing Kit - Standard Height to Passenger Side 1450L x 570W x 275H | \$1,535.00 | \$1,685.00 |
| PS/PA-110401B-455727-SSR | Single Drawer & Wing Kit - Standard Height to Driver Side 1450L x 570W x 275H | \$1,535.00 | \$1,685.00 |
| PS/PA-110401B-125736-SHL | Single Drawer & Wing Kit - Trade Height to Passenger Side 1200Lx570Wx365H | \$1,635.00 | \$1,785.00 |
| PS/PA-110401B-125736-SHR | Single Drawer & Wing Kit - Trade Height to Driver Side 1200L x 570W x 365H | \$1,635.00 | \$1,785.00 |
| EL-110401B-451227-TDS | EcoLite Twin Drawer & Wing Kit - Standard Height 1450L x 1020W x 275H | \$2,110.00 | N/A |
| PS/PA-110401B-451427-TDS | Twin Drawer & Wing Kit - Standard Height 1450L x 1140W x 275H | \$2,970.00 | \$3,270.00 |
| PS/PA-110401B-121436-TDH | Twin Drawer & Wing Kit - Trade Height 1200L x 1140W x 365H | \$3,170.00 | \$3,470.00 |
| PS/PA-110401B-121430-FDC-E/D | Fridge Drawer Combo with 30L Engel/Dometic Fitkit - 1200L x 1140W x 300H **Fridge not included Liftout Hatch provided to access space behind the fridge (100mm narrower if tie downs added to top) - 383L x 431W | \$2,690.00 | \$2,840.00 |
| PS/PA-110401B-121436-FDC-EK | Fridge Drawer Combo with 40L EvaKool Fitkit - 1200L x 1140W x 365H **Fridge not included Liftout Hatch provided to access space behind the fridge (100mm narrower if tie downs added to top) - 383L x 560W | \$2,800.00 | \$2,950.00 |
| PS/PA-110401B-121436-FDC-IM | Fridge Drawer Combo with 40L Ironman Fitkit - 1200L x 1140W x 365H **Fridge not included Liftout Hatch provided to access space behind the fridge (100mm narrower if tie downs added to top) - 383L x 510W | \$2,800.00 | \$2,950.00 |
| PS/PA-110401B-121436-FDC-BM | Fridge Drawer Combo with 30L Bushman Fitkit - 1200L x 1140W x 365H **Fridge not included Liftout Hatch provided to access space behind the fridge (100mm narrower if tie downs added to top) - 383L x 431W | \$2,800.00 | \$2,950.00 |
| PS/PA-110401B-451427-1LL | Easy Access Combo 1 Standard Height & Wing Kit - Large Low Platform to Passenger Side (Gap size 570W). Single Drawer STANDARD HEIGHT O/A 1450L x 570W x 275H. Total Combo O/A 1450L x 1140W x 275H. (Suits all RV-FS listed below except SO *Not Included) | \$2,435.00 | \$2,585.00 |
| PS/PA-110401B-451427-1LR | Easy Access Combo 1 Standard Height & Wing Kit - Large Low Platform to Driver Side (Gap size 570W). Single Drawer STANDARD HEIGHT O/A 1450L x 570W x 275H. Total Combo O/A 1450L x 1140W x 275H. (Suits all RV-FS listed below except SO *Not Included) | \$2,435.00 | \$2,585.00 |
| PS/PA-110401B-121436-1LL | Easy Access Combo 1 Trade Height & Wing Kit - Large Low Platform to Passenger Side (Gap size 570W). Single Drawer TRADE HEIGHT O/A 1200L x 570W x 365H. Total Combo O/A 1200L x 1140W x 365H. (Suits all RV-FS listed below except FS3, 3.5 & SO *Not Included) | \$2,455.00 | \$2,605.00 |
| PS/PA-110401B-121436-1LR | Easy Access Combo 1 Trade Height & Wing Kit - Large Low Platform to Driver Side (Gap size 570W). Single Drawer TRADE HEIGHT O/A 1200L x 570W x 365H. Total Combo O/A 1200L x 1140W x 365H. (Suits all RV-FS listed below except FS3, 3.5 & SO *Not Included) | \$2,455.00 | \$2,605.00 |
| RV-EAC-IFP-1400 | Easy Access Combo INFILL PANEL FOR STANDARD HEIGHT- covers fridge slide cavity for a flat solid top effect | \$224.00 | N/A |
| RV-EAC-IFP-1200 | Easy Access Combo INFILL PANEL FOR TRADE HEIGHT- covers fridge slide cavity for a flat solid top effect | \$224.00 | N/A |
| RV-IBFS-1300-DS | Inbuilt Fridge Slide - flush fitting 1300L (Driver Side) <i>Premium drawers only</i> | \$472.00 | N/A |
| RV-IBFS-1300-PS | Inbuilt Fridge Slide - flush fitting 1300L (Passenger Side) <i>Premium drawers only</i> | \$472.00 | N/A |
| PS/PA-RV-FS-1 | Heavy Duty Fridge Slide - 750L x 455W x 80H (external incl. Travel Lock) | \$472.00 | \$522.00 |
| PS-RV-FS-1-SO | Heavy Duty Fridge Slide - 450L x 770W x 110H (external incl. Travel Lock) (Twin drawer setups only) | \$472.00 | N/A |
| PS/PA-RV-FS-1.5 | Heavy Duty Fridge Slide - 750L x 530W x 80H (external incl. Travel Lock) | \$520.00 | \$570.00 |
| PS/PA-RV-FS-2 | Heavy Duty Fridge Slide - 850L x 560W x 80H (external incl. Travel Lock) | \$567.00 | \$617.00 |
| PS-RV-FS-2-SO | Heavy Duty Fridge Slide - 550L x 870W x 110H (external incl. Travel Lock) (Twin drawer setups only) | \$567.00 | N/A |
| PS/PA-RV-FS-2.25 | Heavy Duty Fridge Slide - 950L x 560W x 80H (external incl. Travel Lock) | \$590.00 | \$640.00 |
| PS/PA-RV-FS-2.5 | Heavy Duty Fridge Slide - 1050L x 560W x 80H (external incl. Travel Lock) | \$685.00 | \$735.00 |
| PS/PA-RV-FS-3 | Heavy Duty Fridge Slide - 1410L x 455W x 80H (external incl. Travel Lock) **Not Available For Trade Height | \$886.00 | \$961.00 |
| PS/PA-RV-FS-3.5 | Heavy Duty Fridge Slide - 1410L x 560W x 80H (external incl. Travel Lock) **Not Available For Trade Height | \$886.00 | \$961.00 |
| <p>Need to check whether there is a double or single power outlet in tub</p> <p>Travel Slide Drawers available on page 181</p> <p>Inbuilt Fridge Slides N/A for alloy drawers</p> | | | |

| VEHICLE MAKE MODEL | VOLKSWAGEN NEXT-GEN AMAROK (NF) DUAL CAB - STYLE (2023+) - 1400x1020 WITH GENUINE TUB LINER (SINGLE PIECE) | | |
|---|---|------------|------------|
| PA: Premium Alloy PS: Premium Steel EL: EcoLite | TRADE HEIGHT DRAWERS +\$100 PER DRAWER | | |
| EL: EcoLite | PREMBLK: PREMIUM BLACK RRP +180.00 (option) | | |
| | DESCRIPTION (PRICES INCLUDE WING KIT UNLESS OTHERWISE STATED) | PS RRP | PA RRP |
| PS/PA-110402-145127-SSL | Single Drawer & Wing Kit - Standard Height to Passenger Side 1400L x 510W x 275H | \$1,485.00 | \$1,635.00 |
| PS/PA-110402-145127-SSR | Single Drawer & Wing Kit - Standard Height to Driver Side 1400L x 510W x 275H | \$1,485.00 | \$1,635.00 |
| PS/PA-110402-145136-SHL | Single Drawer & Wing Kit - Trade Height to Passenger Side 1400Lx510Wx365H | \$1,585.00 | \$1,735.00 |
| PS/PA-110402-145136-SHR | Single Drawer & Wing Kit - Trade Height to Driver Side 1400L x 510W x 365H | \$1,585.00 | \$1,735.00 |
| EL-110402-141227-TDS | EcoLite Twin Drawer & Wing Kit - Standard Height 1400L x 1020W x 275H | \$2,080.00 | N/A |
| PS/PA-110402-141227-TDS | Twin Drawer & Wing Kit - Standard Height 1400L x 1020W x 275H | \$2,870.00 | \$3,170.00 |
| PS/PA-110402-141236-TDH | Twin Drawer & Wing Kit - Trade Height 1400L x 1020W x 365H | \$3,070.00 | \$3,370.00 |
| PS/PA-110402-141230-FDC-E/D | Fridge Drawer Combo with 30L Engel/Dometic Fitkit - 1400L x 1020W x 300H **Fridge not included Liftout Hatch provided to access space behind the fridge (100mm narrower if tie downs added to top) - 583L x 431W | \$2,690.00 | \$2,840.00 |
| PS/PA-110402-141236-FDC-EK | Fridge Drawer Combo with 40L EvaKool Fitkit - 1400L x 1020W x 365H **Fridge not included Liftout Hatch provided to access space behind the fridge (100mm narrower if tie downs added to top) - 583L x 560W | \$2,800.00 | \$2,950.00 |
| PS/PA-110402-141236-FDC-IM | Fridge Drawer Combo with 40L Ironman Fitkit - 1400L x 1020W x 365H **Fridge not included Liftout Hatch provided to access space behind the fridge (100mm narrower if tie downs added to top) - 583L x 510W | \$2,800.00 | \$2,950.00 |
| PS/PA-110402-141236-FDC-BM | Fridge Drawer Combo with 30L Bushman Fitkit - 1400L x 1020W x 365H **Fridge not included Liftout Hatch provided to access space behind the fridge (100mm narrower if tie downs added to top) - 583L x 431W | \$2,800.00 | \$2,950.00 |
| PS/PA-110402-141227-1SL | Easy Access Combo 1 & Wing Kit - Small Low Platform to Passenger Side (Gap size 510W). Single Drawer O/A 1400L x 510W x 275H. Total Combo O/A 1400L x 1020W x 275H. (Suits RV-FS-1 or 3 *Not Included) | \$2,410.00 | \$2,560.00 |
| PS/PA-110402-141227-1SR | Easy Access Combo 1 & Wing Kit - Small Low Platform to Driver Side (Gap size 510W). Single Drawer O/A 1400L x 510W x 275H. Total Combo O/A 1400L x 1020W x 275H. (Suits RV-FS-1 or 3 *Not Included) | \$2,410.00 | \$2,560.00 |
| PS/PA-110402-141227-1LL | Easy Access Combo 1 & Wing Kit - Large Low Platform to Passenger Side (Gap size 570W). Single Drawer O/A 1400L x 450W x 275H. Total Combo O/A 1400L x 1020W x 275H. (Suits all RV-FS listed below except SO *Not Included) | \$2,410.00 | \$2,560.00 |
| PS/PA-110402-141227-1LR | Easy Access Combo 1 & Wing Kit - Large Low Platform to Driver Side (Gap size 570W). Single Drawer O/A 1400L x 450W x 275H. Total Combo O/A 1400L x 1020W x 275H. (Suits all RV-FS listed below except SO *Not Included) | \$2,410.00 | \$2,560.00 |
| PS/PA-110402-141227-2SL | Easy Access Combo 2 & Wing Kit - Small Low Platform to Passenger Side (Gap size 510W). Double Stacked Drawers (Standard Height Bottom Drawer O/A 1400L x 510W x 275H, Trade Height Top Drawer O/A 1100L x 510W x 365H). Total Combo O/A 1400L x 1020W x 640H. (Suits RV-FS-1 or 3 *Not Included). Optional 1100L Standard Height top drawer minus -\$100.00 | \$3,100.00 | \$3,400.00 |
| PS/PA-110402-141227-2SR | Easy Access Combo 2 & Wing Kit - Small Low Platform to Driver Side (Gap size 510W). Double Stacked Drawers (Standard Height Bottom Drawer O/A 1400L x 510W x 275H, Trade Height Top Drawer O/A 1100L x 510W x 365H). Total Combo O/A 1400L x 1020W x 640H. (Suits RV-FS-1 or 3 *Not Included). Optional 1100L Standard Height top drawer minus -\$100.00 | \$3,100.00 | \$3,400.00 |
| PS/PA-110402-141227-2LL | Easy Access Combo 2 & Wing Kit - Large Low Platform to Passenger Side (Gap size 570W). Double Stacked Drawers (Standard Height Bottom Drawer O/A 1400L x 450W x 275H, Trade Height Top Drawer O/A 1100L x 450W x 365H). Total Combo O/A 1400L x 1020W x 640H. (Suits all RV-FS listed below except SO *Not Included). Optional 1100L Standard Height top drawer minus -\$100.00 | \$3,100.00 | \$3,400.00 |
| PS/PA-110402-141227-2LR | Easy Access Combo 2 & Wing Kit - Large Low Platform to Driver Side (Gap size 570W). Double Stacked Drawers (Standard Height Bottom Drawer O/A 1400L x 450W x 275H, Trade Height Top Drawer O/A 1100L x 450W x 365H). Total Combo O/A 1400L x 1020W x 640H. (Suits all RV-FS listed below except SO *Not Included). Optional 1100L Standard Height top drawer minus -\$100.00 | \$3,100.00 | \$3,400.00 |
| RV-EAC-IFP-1400 | Easy Access Combo INFILL PANEL - covers fridge slide cavity to create a flat solid top effect (NOTE: top drawer must be removed on EAC-2 systems) | \$224.00 | N/A |
| RV-CS-1451-00 | Cargo Shelf single - 1400L Ventilated side panel and solid top shelf to fit FS-1 (small fridge space) Suits EAC-1 1400L x 1020W | \$803.00 | N/A |
| RV-CS-1457-00 | Cargo Shelf single - 1400L Ventilated side panel and solid top shelf to fit FS-1.5 & FS-2 (large fridge space) Suits EAC-1 1400L x 1020W | \$803.00 | N/A |
| RV-CS-0812-00 | Cargo Shelf double - 800L Ventilated side panel and solid top shelf system. Fits EAC-2 1400L x 1020W fitted with a Trade Height top drawer | \$567.00 | N/A |
| RV-IBFS-1300-DS | Inbuilt Fridge Slide - flush fitting 1300L (Driver Side) Premium drawers only | \$472.00 | N/A |
| RV-IBFS-1300-PS | Inbuilt Fridge Slide - flush fitting 1300L (Passenger Side) Premium drawers only | \$472.00 | N/A |
| PS/PA-RV-FS-1 | Heavy Duty Fridge Slide - 750L x 455W x 80H (external incl. Travel Lock) | \$472.00 | \$522.00 |
| PS-RV-FS-1-SO | Heavy Duty Fridge Slide - 450L x 770W x 110H (external incl. Travel Lock) (Twin drawer setups only) | \$472.00 | N/A |
| PS/PA-RV-FS-1.5 | Heavy Duty Fridge Slide - 750L x 530W x 80H (external incl. Travel Lock) | \$520.00 | \$570.00 |
| PS/PA-RV-FS-2 | Heavy Duty Fridge Slide - 850L x 560W x 80H (external incl. Travel Lock) | \$567.00 | \$617.00 |
| PS-RV-FS-2-SO | Heavy Duty Fridge Slide - 550L x 870W x 110H (external incl. Travel Lock) (Twin drawer setups only) | \$567.00 | N/A |
| PS/PA-RV-FS-2.25 | Heavy Duty Fridge Slide - 950L x 560W x 80H (external incl. Travel Lock) | \$590.00 | \$640.00 |
| PS/PA-RV-FS-2.5 | Heavy Duty Fridge Slide - 1050L x 560W x 80H (external incl. Travel Lock) | \$685.00 | \$735.00 |
| PS/PA-RV-FS-3 | Heavy Duty Fridge Slide - 1410L x 455W x 80H (external incl. Travel Lock) | \$886.00 | \$961.00 |
| PS/PA-RV-FS-3.5 | Heavy Duty Fridge Slide - 1410L x 560W x 80H (external incl. Travel Lock) | \$886.00 | \$961.00 |

Need to check whether there is a double or single power outlet in tub

Travel Slide Drawers available on page 181

Inbuilt Fridge Slides N/A for alloy drawers

| VEHICLE MAKE MODEL | | VOLKSWAGEN NEXT-GEN AMAROK (NF) DUAL CAB - MODEL TBC (2023+) - 1400x1020 WITH GENUINE ACCESSORY TUB LINER (5-PIECE) | | |
|---|---|--|------------|------------|
| PA: Premium Alloy PS: Premium Steel EL: EcoLite | | VOLKSWAGEN | | |
| | | TRADE HEIGHT DRAWERS +\$100 PER DRAWER | | |
| | | PREMBLK: PREMIUM BLACK RRP +180.00 (option) | | |
| | | DESCRIPTION (PRICES INCLUDE WING KIT UNLESS OTHERWISE STATED) | PS RRP | PA RRP |
| PS/PA-110403-145127-SSL | Single Drawer & Wing Kit - Standard Height to Passenger Side 1400L x 510W x 275H | | \$1,485.00 | \$1,635.00 |
| PS/PA-110403-145127-SSR | Single Drawer & Wing Kit - Standard Height to Driver Side 1400L x 510W x 275H | | \$1,485.00 | \$1,635.00 |
| PS/PA-110403-145136-SHL | Single Drawer & Wing Kit - Trade Height to Passenger Side 1400Lx510Wx365H | | \$1,585.00 | \$1,735.00 |
| PS/PA-110403-145136-SHR | Single Drawer & Wing Kit - Trade Height to Driver Side 1400L x 510W x 365H | | \$1,585.00 | \$1,735.00 |
| EL-110403-141227-TDS | EcoLite Twin Drawer & Wing Kit - Standard Height 1400L x 1020W x 275H | | \$2,080.00 | N/A |
| PS/PA-110403-141227-TDS | Twin Drawer & Wing Kit - Standard Height 1400L x 1020W x 275H | | \$2,870.00 | \$3,170.00 |
| PS/PA-110403-141236-TDH | Twin Drawer & Wing Kit - Trade Height 1400L x 1020W x 365H | | \$3,070.00 | \$3,370.00 |
| PS/PA-110403-141230-FDC-E/D | Fridge Drawer Combo with 30L Engel/Dometic Fitkit - 1400L x 1020W x 300H **Fridge not included Liftout Hatch provided to access space behind the fridge (100mm narrower if tie downs added to top) - 583L x 431W | | \$2,690.00 | \$2,840.00 |
| PS/PA-110403-141236-FDC-EK | Fridge Drawer Combo with 40L EvaKool Fitkit - 1400L x 1020W x 365H **Fridge not included Liftout Hatch provided to access space behind the fridge (100mm narrower if tie downs added to top) - 583L x 560W | | \$2,800.00 | \$2,950.00 |
| PS/PA-110403-141236-FDC-IM | Fridge Drawer Combo with 40L Ironman Fitkit - 1400L x 1020W x 365H **Fridge not included Liftout Hatch provided to access space behind the fridge (100mm narrower if tie downs added to top) - 583L x 510W | | \$2,800.00 | \$2,950.00 |
| PS/PA-110403-141236-FDC-BM | Fridge Drawer Combo with 30L Bushman Fitkit - 1400L x 1020W x 365H **Fridge not included Liftout Hatch provided to access space behind the fridge (100mm narrower if tie downs added to top) - 583L x 431W | | \$2,800.00 | \$2,950.00 |
| PS/PA-110403-141227-1SL | Easy Access Combo 1 & Wing Kit - Small Low Platform to Passenger Side (Gap size 510W). Single Drawer O/A 1400L x 510W x 275H. Total Combo O/A 1400L x 1020W x 275H. (Suits RV-FS-1 or 3 *Not Included) | | \$2,410.00 | \$2,560.00 |
| PS/PA-110403-141227-1SR | Easy Access Combo 1 & Wing Kit - Small Low Platform to Driver Side (Gap size 510W). Single Drawer O/A 1400L x 510W x 275H. Total Combo O/A 1400L x 1020W x 275H. (Suits RV-FS-1 or 3 *Not Included) | | \$2,410.00 | \$2,560.00 |
| PS/PA-110403-141227-1LL | Easy Access Combo 1 & Wing Kit - Large Low Platform to Passenger Side (Gap size 570W). Single Drawer O/A 1400L x 450W x 275H. Total Combo O/A 1400L x 1020W x 275H. (Suits all RV-FS listed below except SO *Not Included) | | \$2,410.00 | \$2,560.00 |
| PS/PA-110403-141227-1LR | Easy Access Combo 1 & Wing Kit - Large Low Platform to Driver Side (Gap size 570W). Single Drawer O/A 1400L x 450W x 275H. Total Combo O/A 1400L x 1020W x 275H. (Suits all RV-FS listed below except SO *Not Included) | | \$2,410.00 | \$2,560.00 |
| PS/PA-110403-141227-2SL | Easy Access Combo 2 & Wing Kit - Small Low Platform to Passenger Side (Gap size 510W). Double Stacked Drawers (Standard Height Bottom Drawer O/A 1400L x 510W x 275H, Trade Height Top Drawer O/A 1100L x 510W x 365H). Total Combo O/A 1400L x 1020W x 640H. (Suits RV-FS-1 or 3 *Not Included). Optional 1100L Standard Height top drawer minus -\$100.00 | | \$3,100.00 | \$3,400.00 |
| PS/PA-110403-141227-2SR | Easy Access Combo 2 & Wing Kit - Small Low Platform to Driver Side (Gap size 510W). Double Stacked Drawers (Standard Height Bottom Drawer O/A 1400L x 510W x 275H, Trade Height Top Drawer O/A 1100L x 510W x 365H). Total Combo O/A 1400L x 1020W x 640H. (Suits RV-FS-1 or 3 *Not Included). Optional 1100L Standard Height top drawer minus -\$100.00 | | \$3,100.00 | \$3,400.00 |
| PS/PA-110403-141227-2LL | Easy Access Combo 2 & Wing Kit - Large Low Platform to Passenger Side (Gap size 570W). Double Stacked Drawers (Standard Height Bottom Drawer O/A 1400L x 450W x 275H, Trade Height Top Drawer O/A 1100L x 450W x 365H). Total Combo O/A 1400L x 1020W x 640H. (Suits all RV-FS listed below except SO *Not Included). Optional 1100L Standard Height top drawer minus -\$100.00 | | \$3,100.00 | \$3,400.00 |
| PS/PA-110403-141227-2LR | Easy Access Combo 2 & Wing Kit - Large Low Platform to Driver Side (Gap size 570W). Double Stacked Drawers (Standard Height Bottom Drawer O/A 1400L x 450W x 275H, Trade Height Top Drawer O/A 1100L x 450W x 365H). Total Combo O/A 1400L x 1020W x 640H. (Suits all RV-FS listed below except SO *Not Included). Optional 1100L Standard Height top drawer minus -\$100.00 | | \$3,100.00 | \$3,400.00 |
| RV-EAC-IFP-1400 | Easy Access Combo INFILL PANEL - covers fridge slide cavity to create a flat solid top effect (NOTE: top drawer must be removed on EAC-2 systems) | | \$224.00 | N/A |
| RV-CS-1451-00 | Cargo Shelf single - 1400L Ventilated side panel and solid top shelf to fit FS-1 (small fridge space) Suits EAC-1 1400L x 1020W | | \$803.00 | N/A |
| RV-CS-1457-00 | Cargo Shelf single - 1400L Ventilated side panel and solid top shelf to fit FS-1.5 & FS-2 (large fridge space) Suits EAC-1 1400L x 1020W | | \$803.00 | N/A |
| RV-CS-0812-00 | Cargo Shelf double - 800L Ventilated side panel and solid top shelf system. Fits EAC-2 1400L x 1020W fitted with a Trade Height top drawer | | \$567.00 | N/A |
| RV-IBFS-1300-DS | Inbuilt Fridge Slide - flush fitting 1300L (Driver Side) Premium drawers only | | \$472.00 | N/A |
| RV-IBFS-1300-PS | Inbuilt Fridge Slide - flush fitting 1300L (Passenger Side) Premium drawers only | | \$472.00 | N/A |
| PS/PA-RV-FS-1 | Heavy Duty Fridge Slide - 750L x 455W x 80H (external incl. Travel Lock) | | \$472.00 | \$522.00 |
| PS-RV-FS-1-SO | Heavy Duty Fridge Slide - 450L x 770W x 110H (external incl. Travel Lock) (Twin drawer setups only) | | \$472.00 | N/A |
| PS/PA-RV-FS-1.5 | Heavy Duty Fridge Slide - 750L x 530W x 80H (external incl. Travel Lock) | | \$520.00 | \$570.00 |
| PS/PA-RV-FS-2 | Heavy Duty Fridge Slide - 850L x 560W x 80H (external incl. Travel Lock) | | \$567.00 | \$617.00 |
| PS-RV-FS-2-SO | Heavy Duty Fridge Slide - 550L x 870W x 110H (external incl. Travel Lock) (Twin drawer setups only) | | \$567.00 | N/A |
| PS/PA-RV-FS-2.25 | Heavy Duty Fridge Slide - 950L x 560W x 80H (external incl. Travel Lock) | | \$590.00 | \$640.00 |
| PS/PA-RV-FS-2.5 | Heavy Duty Fridge Slide - 1050L x 560W x 80H (external incl. Travel Lock) | | \$685.00 | \$735.00 |
| PS/PA-RV-FS-3 | Heavy Duty Fridge Slide - 1410L x 455W x 80H (external incl. Travel Lock) | | \$886.00 | \$961.00 |
| PS/PA-RV-FS-3.5 | Heavy Duty Fridge Slide - 1410L x 560W x 80H (external incl. Travel Lock) | | \$886.00 | \$961.00 |

Need to check whether there is a double or single power outlet in tub

Travel Slide Drawers available on page 181

Inbuilt Fridge Slides N/A for alloy drawers

| VEHICLE MAKE MODEL | VOLKSWAGEN NEXT-GEN AMAROK (NF) DUAL CAB - AVENTURA (2023+) - 1400x1020 WITH GENUINE TUB LINER (SINGLE PIECE) NO ROLLER SHUTTER | VOLKSWAGEN | |
|--|--|------------|------------|
| TRADE HEIGHT DRAWERS +\$100 PER DRAWER | | | |
| PREMBLK: PREMIUM BLACK RRP +180.00 (option) | | | |
| DESCRIPTION (PRICES INCLUDE WING KIT UNLESS OTHERWISE STATED) | | | |
| PA: Premium Alloy PS: Premium Steel EL: EcoLite | | PS RRP | PA RRP |
| PS/PA-110404-145127-SSL | Single Drawer & Wing Kit - Standard Height to Passenger Side 1400L x 510W x 275H | \$1,485.00 | \$1,635.00 |
| PS/PA-110404-145127-SSR | Single Drawer & Wing Kit - Standard Height to Driver Side 1400L x 510W x 275H | \$1,485.00 | \$1,635.00 |
| PS/PA-110404-145136-SHL | Single Drawer & Wing Kit - Trade Height to Passenger Side 1400Lx510Wx365H | \$1,585.00 | \$1,735.00 |
| PS/PA-110404-145136-SHR | Single Drawer & Wing Kit - Trade Height to Driver Side 1400L x 510W x 365H | \$1,585.00 | \$1,735.00 |
| EL-110404-141227-TDS | EcoLite Twin Drawer & Wing Kit - Standard Height 1400L x 1020W x 275H | \$2,080.00 | N/A |
| PS/PA-110404-141227-TDS | Twin Drawer & Wing Kit - Standard Height 1400L x 1020W x 275H | \$2,870.00 | \$3,170.00 |
| PS/PA-110404-141236-TDH | Twin Drawer & Wing Kit - Trade Height 1400L x 1020W x 365H | \$3,070.00 | \$3,370.00 |
| PS/PA-110404-141230-FDC-E/D | Fridge Drawer Combo with 30L Engel/Dometic Fitkit - 1400L x 1020W x 300H **Fridge not included Liftout Hatch provided to access space behind the fridge (100mm narrower if tie downs added to top) - 583L x 431W | \$2,690.00 | \$2,840.00 |
| PS/PA-110404-141236-FDC-EK | Fridge Drawer Combo with 40L EvaKool Fitkit - 1400L x 1020W x 365H **Fridge not included Liftout Hatch provided to access space behind the fridge (100mm narrower if tie downs added to top) - 583L x 560W | \$2,800.00 | \$2,950.00 |
| PS/PA-110404-141236-FDC-IM | Fridge Drawer Combo with 40L Ironman Fitkit - 1400L x 1020W x 365H **Fridge not included Liftout Hatch provided to access space behind the fridge (100mm narrower if tie downs added to top) - 583L x 510W | \$2,800.00 | \$2,950.00 |
| PS/PA-110404-141236-FDC-BM | Fridge Drawer Combo with 30L Bushman Fitkit - 1400L x 1020W x 365H **Fridge not included Liftout Hatch provided to access space behind the fridge (100mm narrower if tie downs added to top) - 583L x 431W | \$2,800.00 | \$2,950.00 |
| PS/PA-110404-141227-1SL | Easy Access Combo 1 & Wing Kit - Small Low Platform to Passenger Side (Gap size 510W). Single Drawer O/A 1400L x 510W x 275H. Total Combo O/A 1400L x 1020W x 275H. (Suits RV-FS-1 or 3 *Not Included) | \$2,410.00 | \$2,560.00 |
| PS/PA-110404-141227-1SR | Easy Access Combo 1 & Wing Kit - Small Low Platform to Driver Side (Gap size 510W). Single Drawer O/A 1400L x 510W x 275H. Total Combo O/A 1400L x 1020W x 275H. (Suits RV-FS-1 or 3 *Not Included) | \$2,410.00 | \$2,560.00 |
| PS/PA-110404-141227-1LL | Easy Access Combo 1 & Wing Kit - Large Low Platform to Passenger Side (Gap size 570W). Single Drawer O/A 1400L x 450W x 275H. Total Combo O/A 1400L x 1020W x 275H. (Suits all RV-FS listed below except SO *Not Included) | \$2,410.00 | \$2,560.00 |
| PS/PA-110404-141227-1LR | Easy Access Combo 1 & Wing Kit - Large Low Platform to Driver Side (Gap size 570W). Single Drawer O/A 1400L x 450W x 275H. Total Combo O/A 1400L x 1020W x 275H. (Suits all RV-FS listed below except SO *Not Included) | \$2,410.00 | \$2,560.00 |
| PS/PA-110404-141227-2SL | Easy Access Combo 2 & Wing Kit - Small Low Platform to Passenger Side (Gap size 510W). Double Stacked Drawers (Standard Height Bottom Drawer O/A 1400L x 510W x 275H, Trade Height Top Drawer O/A 1100L x 510W x 365H). Total Combo O/A 1400L x 1020W x 640H. (Suits RV-FS-1 or 3 *Not Included). Optional 1100L Standard Height top drawer minus -\$100.00 | \$3,100.00 | \$3,400.00 |
| PS/PA-110404-141227-2SR | Easy Access Combo 2 & Wing Kit - Small Low Platform to Driver Side (Gap size 510W). Double Stacked Drawers (Standard Height Bottom Drawer O/A 1400L x 510W x 275H, Trade Height Top Drawer O/A 1100L x 510W x 365H). Total Combo O/A 1400L x 1020W x 640H. (Suits RV-FS-1 or 3 *Not Included). Optional 1100L Standard Height top drawer minus -\$100.00 | \$3,100.00 | \$3,400.00 |
| PS/PA-110404-141227-2LL | Easy Access Combo 2 & Wing Kit - Large Low Platform to Passenger Side (Gap size 570W). Double Stacked Drawers (Standard Height Bottom Drawer O/A 1400L x 450W x 275H, Trade Height Top Drawer O/A 1100L x 450W x 365H). Total Combo O/A 1400L x 1020W x 640H. (Suits all RV-FS listed below except SO *Not Included). Optional 1100L Standard Height top drawer minus -\$100.00 | \$3,100.00 | \$3,400.00 |
| PS/PA-110404-141227-2LR | Easy Access Combo 2 & Wing Kit - Large Low Platform to Driver Side (Gap size 570W). Double Stacked Drawers (Standard Height Bottom Drawer O/A 1400L x 450W x 275H, Trade Height Top Drawer O/A 1100L x 450W x 365H). Total Combo O/A 1400L x 1020W x 640H. (Suits all RV-FS listed below except SO *Not Included). Optional 1100L Standard Height top drawer minus -\$100.00 | \$3,100.00 | \$3,400.00 |
| RV-EAC-IFP-1400 | Easy Access Combo INFILL PANEL - covers fridge slide cavity to create a flat solid top effect (NOTE: top drawer must be removed on EAC-2 systems) | \$224.00 | N/A |
| RV-CS-1451-00 | Cargo Shelf single - 1400L Ventilated side panel and solid top shelf to fit FS-1 (small fridge space) Suits EAC-1 1400L x 1020W | \$803.00 | N/A |
| RV-CS-1457-00 | Cargo Shelf single - 1400L Ventilated side panel and solid top shelf to fit FS-1.5 & FS-2 (large fridge space) Suits EAC-1 1400L x 1020W | \$803.00 | N/A |
| RV-CS-0812-00 | Cargo Shelf double - 800L Ventilated side panel and solid top shelf system. Fits EAC-2 1400L x 1020W fitted with a Trade Height top drawer | \$567.00 | N/A |
| RV-IBFS-1300-DS | Inbuilt Fridge Slide - flush fitting 1300L (Driver Side) Premium drawers only | \$472.00 | N/A |
| RV-IBFS-1300-PS | Inbuilt Fridge Slide - flush fitting 1300L (Passenger Side) Premium drawers only | \$472.00 | N/A |
| PS/PA-RV-FS-1 | Heavy Duty Fridge Slide - 750L x 455W x 80H (external incl. Travel Lock) | \$472.00 | \$522.00 |
| PS-RV-FS-1-SO | Heavy Duty Fridge Slide - 450L x 770W x 110H (external incl. Travel Lock) (Twin drawer setups only) | \$472.00 | N/A |
| PS/PA-RV-FS-1.5 | Heavy Duty Fridge Slide - 750L x 530W x 80H (external incl. Travel Lock) | \$520.00 | \$570.00 |
| PS/PA-RV-FS-2 | Heavy Duty Fridge Slide - 850L x 560W x 80H (external incl. Travel Lock) | \$567.00 | \$617.00 |
| PS-RV-FS-2-SO | Heavy Duty Fridge Slide - 550L x 870W x 110H (external incl. Travel Lock) (Twin drawer setups only) | \$567.00 | N/A |
| PS/PA-RV-FS-2.25 | Heavy Duty Fridge Slide - 950L x 560W x 80H (external incl. Travel Lock) | \$590.00 | \$640.00 |
| PS/PA-RV-FS-2.5 | Heavy Duty Fridge Slide - 1050L x 560W x 80H (external incl. Travel Lock) | \$685.00 | \$735.00 |
| PS/PA-RV-FS-3 | Heavy Duty Fridge Slide - 1410L x 455W x 80H (external incl. Travel Lock) | \$886.00 | \$961.00 |
| PS/PA-RV-FS-3.5 | Heavy Duty Fridge Slide - 1410L x 560W x 80H (external incl. Travel Lock) | \$886.00 | \$961.00 |

Need to check whether there is a double or single power outlet in tub
Travel Slide Drawers available on page 181
Inbuilt Fridge Slides N/A for alloy drawers

| VEHICLE MAKE MODEL | VOLKSWAGEN NEXT-GEN AMAROK (NF) - 1400x1020 / 1200x1020 DUAL CAB - AVENTURA (2023+) WITH GENUINE TUB LINER (SINGLE PIECE) + ROLLER SHUTTER | VOLKSWAGEN | |
|---|---|------------|------------|
| TRADE HEIGHT DRAWERS +\$100 PER DRAWER | | | |
| PREMLBK: PREMIUM BLACK RRP +180.00 (option) | | | |
| DESCRIPTION (PRICES INCLUDE WING KIT UNLESS OTHERWISE STATED) | | | |
| | | PS RRP | PA RRP |
| PS/PA-110405-145127-SSL | Single Drawer & Wing Kit - Standard Height to Passenger Side 1400L x 510W x 275H | \$1,485.00 | \$1,635.00 |
| PS/PA-110405-145127-SSR | Single Drawer & Wing Kit - Standard Height to Driver Side 1400L x 510W x 275H | \$1,485.00 | \$1,635.00 |
| PS/PA-110405-125136-SHL | Single Drawer & Wing Kit - Trade Height to Passenger Side 1200L x 510W x 365H | \$1,540.00 | \$1,690.00 |
| PS/PA-110405-145136-SHR | Single Drawer & Wing Kit - Trade Height to Driver Side 1200L x 510W x 365H | \$1,540.00 | \$1,690.00 |
| EL-110405-141227-TDS | EcoLite Twin Drawer & Wing Kit - Standard Height 1400L x 1020W x 275H | \$2,080.00 | N/A |
| PS/PA-110405-141227-TDS | Twin Drawer & Wing Kit - Standard Height 1400L x 1020W x 275H | \$2,870.00 | \$3,170.00 |
| PS/PA-110405-121236-TDH | Twin Drawer & Wing Kit - Trade Height 1200L x 1020W x 365H | \$2,870.00 | \$3,170.00 |
| PS/PA-110405-121230-FDC-E/D | Fridge Drawer Combo with 30L Engel/Dometic Fitkit - 1200L x 1020W x 300H **Fridge not included Liftout Hatch provided to access space behind the fridge (100mm narrower if tie downs added to top) - 383L x 431W | \$2,635.00 | \$2,785.00 |
| PS/PA-110405-121236-FDC-EK | Fridge Drawer Combo with 40L EvaKool Fitkit - 1200L x 1020W x 365H **Fridge not included Liftout Hatch provided to access space behind the fridge (100mm narrower if tie downs added to top) - 383L x 560W | \$2,745.00 | \$2,895.00 |
| PS/PA-110405-121236-FDC-IM | Fridge Drawer Combo with 40L Ironman Fitkit - 1200L x 1020W x 365H **Fridge not included Liftout Hatch provided to access space behind the fridge (100mm narrower if tie downs added to top) - 383L x 510W | \$2,745.00 | \$2,895.00 |
| PS/PA-110405-121236-FDC-BM | Fridge Drawer Combo with 30L Bushman Fitkit - 1200L x 1020W x 365H **Fridge not included Liftout Hatch provided to access space behind the fridge (100mm narrower if tie downs added to top) - 383L x 431W | \$2,745.00 | \$2,895.00 |
| PS/PA-110405-141227-1SL | Easy Access Combo 1 & Wing Kit - Small Low Platform to Passenger Side (Gap size 510W). Single Drawer O/A 1400L x 510W x 275H. Total Combo O/A 1400L x 1020W x 275H. (Suits RV-FS-1 or 3 *Not Included) | \$2,410.00 | \$2,560.00 |
| PS/PA-110405-141227-1SR | Easy Access Combo 1 & Wing Kit - Small Low Platform to Driver Side (Gap size 510W). Single Drawer O/A 1400L x 510W x 275H. Total Combo O/A 1400L x 1020W x 275H. (Suits RV-FS-1 or 3 *Not Included) | \$2,410.00 | \$2,560.00 |
| PS/PA-110405-141227-1LL | Easy Access Combo 1 & Wing Kit - Large Low Platform to Passenger Side (Gap size 570W). Single Drawer O/A 1400L x 450W x 275H. Total Combo O/A 1400L x 1020W x 275H. (Suits all RV-FS listed below except SO *Not Included) | \$2,410.00 | \$2,560.00 |
| PS/PA-110405-141227-1LR | Easy Access Combo 1 & Wing Kit - Large Low Platform to Driver Side (Gap size 570W). Single Drawer O/A 1400L x 450W x 275H. Total Combo O/A 1400L x 1020W x 275H. (Suits all RV-FS listed below except SO *Not Included) | \$2,410.00 | \$2,560.00 |
| PS/PA-110405-121236-1SL | Easy Access Combo 1 Trade Height & Wing Kit - Small Low Platform to Passenger Side (Gap size 510W). Single Drawer TRADE HEIGHT O/A 1200L x 510W x 365H. Total Combo O/A 1200L x 1020W x 365H. (Suits RV-FS-1 *Not Included) | \$2,455.00 | \$2,605.00 |
| PS/PA-110405-121236-1SR | Easy Access Combo 1 Trade Height & Wing Kit - Small Low Platform to Driver Side (Gap size 510W). Single Drawer TRADE HEIGHT O/A 1200L x 510W x 365H. Total Combo O/A 1200L x 1020W x 365H. (Suits RV-FS-1 *Not Included) | \$2,455.00 | \$2,605.00 |
| PS/PA-110405-121236-1LL | Easy Access Combo 1 Trade Height & Wing Kit - Large Low Platform to Passenger Side (Gap size 570W). Single Drawer TRADE HEIGHT O/A 1200L x 450W x 365H. Total Combo O/A 1200L x 1020W x 365H. (Suits all RV-FS listed below except FS3, 3.5 & SO *Not Included) | \$2,455.00 | \$2,605.00 |
| PS/PA-110405-121236-1LR | Easy Access Combo 1 Trade Height & Wing Kit - Large Low Platform to Driver Side (Gap size 570W). Single Drawer TRADE HEIGHT O/A 1200L x 450W x 365H. Total Combo O/A 1200L x 1020W x 365H. (Suits all RV-FS listed below except FS3, 3.5 & SO *Not Included) | \$2,455.00 | \$2,605.00 |
| RV-EAC-IFP-1400 | Easy Access Combo INFILL PANEL FOR STANDARD HEIGHT- covers fridge slide cavity for a flat solid top effect | \$224.00 | N/A |
| RV-EAC-IFP-1200 | Easy Access Combo INFILL PANEL FOR TRADE HEIGHT- covers fridge slide cavity for a flat solid top effect | \$224.00 | N/A |
| RV-IBFS-1300-DS | Inbuilt Fridge Slide - flush fitting 1300L (Driver Side) Premium drawers only | \$472.00 | N/A |
| RV-IBFS-1300-PS | Inbuilt Fridge Slide - flush fitting 1300L (Passenger Side) Premium drawers only | \$472.00 | N/A |
| PS/PA-RV-FS-1 | Heavy Duty Fridge Slide - 750L x 455W x 80H (external incl. Travel Lock) | \$472.00 | \$522.00 |
| PS-RV-FS-1-SO | Heavy Duty Fridge Slide - 450L x 770W x 110H (external incl. Travel Lock) (Twin drawer setups only) | \$472.00 | N/A |
| PS/PA-RV-FS-1.5 | Heavy Duty Fridge Slide - 750L x 530W x 80H (external incl. Travel Lock) | \$520.00 | \$570.00 |
| PS/PA-RV-FS-2 | Heavy Duty Fridge Slide - 850L x 560W x 80H (external incl. Travel Lock) | \$567.00 | \$617.00 |
| PS-RV-FS-2-SO | Heavy Duty Fridge Slide - 550L x 870W x 110H (external incl. Travel Lock) (Twin drawer setups only) | \$567.00 | N/A |
| PS/PA-RV-FS-2.25 | Heavy Duty Fridge Slide - 950L x 560W x 80H (external incl. Travel Lock) | \$590.00 | \$640.00 |
| PS/PA-RV-FS-2.5 | Heavy Duty Fridge Slide - 1050L x 560W x 80H (external incl. Travel Lock) | \$685.00 | \$735.00 |
| PS/PA-RV-FS-3 | Heavy Duty Fridge Slide - 1410L x 455W x 80H (external incl. Travel Lock) **Not Available For Trade Height | \$886.00 | \$961.00 |
| PS/PA-RV-FS-3.5 | Heavy Duty Fridge Slide - 1410L x 560W x 80H (external incl. Travel Lock) **Not Available For Trade Height | \$886.00 | \$961.00 |

Need to check whether there is a double or single power outlet in tub
 Travel Slide Drawers available on page 181
 Inbuilt Fridge Slides N/A for alloy drawers

SINGLE DRAWER MODULES - Standard Height & Trade Height **SINGLE MODULES**

PA: Premium Alloy (700L-1500L Standard Height and Trade Height)
PS: Premium Steel (Any size)
EL: EcoLite (485W & 510W ONLY, No Trade Height)

NOTE: "Trade Height" (365H)
+ \$100.00 per Premium single drawer

MODULES WITHOUT WINGS COME WITH BOTH SIDES CARPETED.

| LENGTH | PRODUCT CODE PA: Alloy PS: Steel EL: EcoLite | DESCRIPTION O/A | Length I/D | Width I/D | Height I/D | Prem Steel RRP | Prem Alloy RRP | EcoLite RRP |
|--------|--|--|---------------|--------------|---------------------|-------------------|-------------------|----------------|
| 700mm | PS/PA-074027-00 | 700L x 400W x 275H Single Drawer Module | 640mm | 320mm | Std 220/Trade 310mm | \$1,135.00 | \$1,285.00 | N/A |
| 700mm | PS/PA-074527-00 | 700L x 450W x 275H Single Drawer Module | 640mm | 370mm | Std 220/Trade 310mm | \$1,135.00 | \$1,285.00 | N/A |
| 700mm | PS/PA/EL-074827-00 | 700L x 485W x 275H Single Drawer Module | 640mm | 405mm | Std 220/Trade 310mm | \$1,135.00 | \$1,285.00 | \$790.00 |
| 800mm | PS/PA-084027-00 | 800L x 400W x 275H Single Drawer Module | 740mm | 320mm | Std 220/Trade 310mm | \$1,155.00 | \$1,305.00 | N/A |
| 800mm | PA/PS-084527-00 | 800L x 450W x 275H Single Drawer Module | 740mm | 370mm | Std 220/Trade 310mm | \$1,155.00 | \$1,305.00 | N/A |
| 800mm | PS/PA/EL-084827-00 | 800L x 485W x 275H Single Drawer Module | 740mm | 405mm | Std 220/Trade 310mm | \$1,155.00 | \$1,305.00 | \$820.00 |
| 900mm | PS/PA-094027-00 | 900L x 400W x 275H Single Drawer Module | 840mm | 320mm | Std 220/Trade 310mm | \$1,175.00 | \$1,325.00 | N/A |
| 900mm | PS/PA-094527-00 | 900L x 450W x 275H Single Drawer Module | 840mm | 370mm | Std 220/Trade 310mm | \$1,175.00 | \$1,325.00 | N/A |
| 900mm | PS/PA/EL-094827-00 | 900L x 485W x 275H Single Drawer Module | 840mm | 405mm | Std 220/Trade 310mm | \$1,175.00 | \$1,325.00 | \$845.00 |
| 1000mm | PS/PA-104527-00 | 1000L x 450W x 275H Single Drawer Module | 940mm | 370mm | Std 220/Trade 310mm | \$1,200.00 | \$1,350.00 | N/A |
| 1000mm | PS/PA/EL-104827-00 | 1000L x 485W x 275H Single Drawer Module | 940mm | 405mm | Std 220/Trade 310mm | \$1,200.00 | \$1,350.00 | \$875.00 |
| 1000mm | PS/PA/EL-105127-00 | 1000L x 510W x 275H Single Drawer Module | 940mm | 430mm | Std 220/Trade 310mm | \$1,200.00 | \$1,350.00 | \$875.00 |
| 1100mm | PS/PA/EL-114827-00 | 1100L x 485W x 275H Single Drawer Module | 1040mm | 405mm | Std 220/Trade 310mm | \$1,220.00 | \$1,370.00 | \$875.00 |
| 1100mm | PS/PA/EL-115127-00 | 1100L x 510W x 275H Single Drawer Module | 1040mm | 430mm | Std 220/Trade 310mm | \$1,220.00 | \$1,370.00 | \$875.00 |
| 1100mm | PS/PA-115727-00 | 1100L x 570W x 275H Single Drawer Module | 1040mm | 490mm | Std 220/Trade 310mm | \$1,245.00 | \$1,395.00 | N/A |
| 1200mm | PS/PA/EL-124827-00 | 1200L x 485W x 275H Single Drawer Module | 1140mm | 405mm | Std 220/Trade 310mm | \$1,245.00 | \$1,395.00 | \$900.00 |
| 1200mm | PS/PA/EL-125127-00 | 1200L x 510W x 275H Single Drawer Module | 1140mm | 430mm | Std 220/Trade 310mm | \$1,245.00 | \$1,395.00 | \$900.00 |
| 1200mm | PS/PA-125727-00 | 1200L x 570W x 275H Single Drawer Module | 1140mm | 490mm | Std 220/Trade 310mm | \$1,265.00 | \$1,415.00 | N/A |
| 1300mm | PS/PA/EL-134827-00 | 1300L x 485W x 275H Single Drawer Module | 1240mm | 405mm | Std 220/Trade 310mm | \$1,265.00 | \$1,415.00 | \$900.00 |
| 1300mm | PS/PA/EL-135127-00 | 1300L x 510W x 275H Single Drawer Module | 1240mm | 430mm | Std 220/Trade 310mm | \$1,265.00 | \$1,415.00 | \$900.00 |
| 1300mm | PS/PA-135727-00 | 1300L x 570W x 275H Single Drawer Module | 1240mm | 490mm | Std 220/Trade 310mm | \$1,285.00 | \$1,435.00 | N/A |
| 1400mm | PS/PA/EL-144827-00 | 1400L x 485W x 275H Single Drawer Module | 1340mm | 405mm | Std 220/Trade 310mm | \$1,285.00 | \$1,435.00 | \$930.00 |
| 1400mm | PS/PA/EL-145127-00 | 1400L x 510W x 275H Single Drawer Module | 1340mm | 430mm | Std 220/Trade 310mm | \$1,285.00 | \$1,435.00 | \$930.00 |
| 1400mm | PS/PA-145727-00 | 1400L x 570W x 275H Single Drawer Module | 1340mm | 490mm | Std 220/Trade 310mm | \$1,310.00 | \$1,460.00 | N/A |
| 1450mm | PS/PA/EL-145827-00 | 1450L x 485W x 275H Single Drawer Module | 1390mm | 405mm | Std 220/Trade 310mm | \$1,310.00 | \$1,460.00 | \$945.00 |
| 1450mm | PS/PA/EL-145127-00 | 1450L x 510W x 275H Single Drawer Module | 1390mm | 430mm | Std 220/Trade 310mm | \$1,310.00 | \$1,460.00 | \$945.00 |
| 1450mm | PS/PA-145727-00 | 1450L x 570W x 275H Single Drawer Module | 1390mm | 490mm | Std 220/Trade 310mm | \$1,330.00 | \$1,480.00 | N/A |
| 1500mm | PS/PA/EL-154827-00 | 1500L x 485W x 275H Single Drawer Module | 1440mm | 405mm | Std 220/Trade 310mm | \$1,330.00 | \$1,480.00 | \$965.00 |
| 1500mm | PS/PA/EL-155127-00 | 1500L x 510W x 275H Single Drawer Module | 1440mm | 430mm | Std 220/Trade 310mm | \$1,330.00 | \$1,480.00 | \$965.00 |
| 1500mm | PS-155727-00 | 1500L x 570W x 275H Single Drawer Module | 1440mm | 490mm | Std 220/Trade 310mm | \$1,355.00 | N/A | N/A |
| 1600mm | PS/EL-164827-00 | 1600L x 485W x 275H Single Drawer Module | 1540mm | 405mm | Std 220/Trade 310mm | \$1,355.00 | N/A | \$990.00 |
| 1600mm | PS/EL-165127-00 | 1600L x 510W x 275H Single Drawer Module | 1540mm | 430mm | Std 220/Trade 310mm | \$1,355.00 | N/A | \$990.00 |
| 1600mm | PS-165727-00 | 1600L x 570W x 275H Single Drawer Module | 1540mm | 490mm | Std 220/Trade 310mm | \$1,395.00 | N/A | N/A |
| 1700mm | PS/EL-174827-00 | 1700L x 485W x 275H Single Drawer Module | 1640mm | 405mm | Std 220/Trade 310mm | \$1,395.00 | N/A | \$1,020.00 |
| 1700mm | PS/EL-175127-00 | 1700L x 510W x 275H Single Drawer Module | 1640mm | 430mm | Std 220/Trade 310mm | \$1,395.00 | N/A | \$1,020.00 |
| 1700mm | PS-175727-00 | 1700L x 570W x 275H Single Drawer Module | 1640mm | 490mm | Std 220/Trade 310mm | \$1,440.00 | N/A | N/A |
| 1800mm | PS/EL-184827-00 | 1800L x 485W x 275H Single Drawer Module | 1740mm | 405mm | Std 220/Trade 310mm | \$1,440.00 | N/A | \$1,045.00 |
| 1800mm | PS/EL-185127-00 | 1800L x 510W x 275H Single Drawer Module | 1740mm | 430mm | Std 220/Trade 310mm | \$1,440.00 | N/A | \$1,045.00 |
| 1800mm | PS-185727-00 | 1800L x 570W x 275H Single Drawer Module | 1740mm | 490mm | Std 220/Trade 310mm | \$1,485.00 | N/A | N/A |

Wing Kit Pricing is on page 182
 1450x570 alloy module not available for trade height

SINGLE WIDE DRAWER MODULES – Standard Height ONLY **WIDE MODULES**

PA: Premium Alloy (800L-1000L ONLY) NOTE: "TRADE HEIGHT" (365H) NOT AVAILABLE
PS: Premium Steel (Any size)

MODULES WITHOUT WINGS COME WITH BOTH SIDES CARPETED.

| LENGTH | PRODUCT CODE PA: Alloy PS: Steel | DESCRIPTION O/A | Length I/D | Width I/D | Height I/D | Prem Steel RRP | Prem Alloy RRP |
|--------|-------------------------------------|---|---------------|--------------|---------------|-------------------|-------------------|
| 800mm | PS/PA-086527-00 | 800L x 650W x 275H Single WIDE Drawer Module | 740mm | 570mm | 220mm | \$1,160.00 | \$1,310.00 |
| 900mm | PS/PA-096527-00 | 900L x 650W x 275H Single WIDE Drawer Module | 840mm | 570mm | 220mm | \$1,220.00 | \$1,370.00 |
| 1000mm | PS/PA-106527-00 | 1000L x 650W x 275H Single WIDE Drawer Module | 940mm | 570mm | 220mm | \$1,280.00 | \$1,430.00 |
| 1100mm | PS-116527-00 | 1100L x 650W x 275H Single WIDE Drawer Module | 1040mm | 570mm | 220mm | \$1,340.00 | N/A |
| 1200mm | PS-126527-00 | 1200L x 650W x 275H Single WIDE Drawer Module | 1140mm | 570mm | 220mm | \$1,400.00 | N/A |
| 1300mm | PS-136527-00 | 1300L x 650W x 275H Single WIDE Drawer Module | 1240mm | 570mm | 220mm | \$1,460.00 | N/A |
| 1400mm | PS-146527-00 | 1400L x 650W x 275H Single WIDE Drawer Module | 1340mm | 570mm | 220mm | \$1,515.00 | N/A |
| 1450mm | PS-456527-00 | 1450L x 650W x 275H Single WIDE Drawer Module | 1390mm | 570mm | 220mm | \$1,575.00 | N/A |
| 1500mm | PS-156527-00 | 1500L x 650W x 275H Single WIDE Drawer Module | 1440mm | 570mm | 220mm | \$1,635.00 | N/A |
| 1600mm | PS-166527-00 | 1600L x 650W x 275H Single WIDE Drawer Module | 1540mm | 570mm | 220mm | \$1,635.00 | N/A |
| 1700mm | PS-176527-00 | 1700L x 650W x 275H Single WIDE Drawer Module | 1640mm | 570mm | 220mm | \$1,695.00 | N/A |
| 1800mm | PS-186527-00 | 1800L x 650W x 275H Single WIDE Drawer Module | 1740mm | 570mm | 220mm | \$1,695.00 | N/A |

TWIN DRAWER MODULES – Standard Height **TWIN MODULES**

PA: Premium Alloy (700L-1500L Standard height/1400L Trade Height) NOTE: "Trade Height" (365H)
PS: Premium Steel (Any size) + \$200.00 per Premium twin drawer
EL: EcoLite (970W & 1020W ONLY, No Trade Height)

TWIN MODULES WITHOUT WINGS COME WITH BOTH SIDES CARPETED.

| LENGTH | PRODUCT CODE PA: Alloy PS: Steel EL: EcoLite | DESCRIPTION O/A | Length I/D | Width I/D | Drawer Height I/D | Prem Steel RRP | Prem Alloy RRP | EcoLite RRP |
|--------|--|---|---------------|--------------|----------------------|-------------------|-------------------|----------------|
| 700mm | PS/PA/EL-079727-00 | 700L x 970W x 275H Twin Drawer Module | 640mm | 405mm | Std 220/Trade 310mm | \$2,165.00 | \$2,465.00 | \$1,480.00 |
| 800mm | PS/PA/EL-089727-00 | 800L x 970W x 275H Twin Drawer Module | 740mm | 405mm | Std 220/Trade 310mm | \$2,210.00 | \$2,510.00 | \$1,535.00 |
| 900mm | PS/PA/EL-099727-00 | 900L x 970W x 275H Twin Drawer Module | 840mm | 405mm | Std 220/Trade 310mm | \$2,255.00 | \$2,555.00 | \$1,590.00 |
| 1000mm | PS/PA/EL-109727-00 | 1000L x 970W x 275H Twin Drawer Module | 940mm | 405mm | Std 220/Trade 310mm | \$2,300.00 | \$2,600.00 | \$1,645.00 |
| 1000mm | PS/PA/EL-101227-00 | 1000L x 1020W x 275H Twin Drawer Module | 940mm | 430mm | Std 220/Trade 310mm | \$2,300.00 | \$2,600.00 | \$1,645.00 |
| 1100mm | PS/PA/EL-119727-00 | 1100L x 970W x 275H Twin Drawer Module | 1040mm | 405mm | Std 220/Trade 310mm | \$2,345.00 | \$2,645.00 | \$1,645.00 |
| 1100mm | PS/PA/EL-111227-00 | 1100L x 1020W x 275H Twin Drawer Module | 1040mm | 430mm | Std 220/Trade 310mm | \$2,345.00 | \$2,645.00 | \$1,645.00 |
| 1200mm | PS/PA/EL-129727-00 | 1200L x 970W x 275H Twin Drawer Module | 1140mm | 405mm | Std 220/Trade 310mm | \$2,385.00 | \$2,685.00 | \$1,695.00 |
| 1200mm | PS/PA/EL-121227-00 | 1200L x 1020W x 275H Twin Drawer Module | 1140mm | 430mm | Std 220/Trade 310mm | \$2,385.00 | \$2,685.00 | \$1,695.00 |
| 1300mm | PS/PA/EL-139727-00 | 1300L x 970W x 275H Twin Drawer Module | 1240mm | 405mm | Std 220/Trade 310mm | \$2,430.00 | \$2,730.00 | \$1,695.00 |
| 1300mm | PS/PA/EL-131227-00 | 1300L x 1020W x 275H Twin Drawer Module | 1240mm | 430mm | Std 220/Trade 310mm | \$2,430.00 | \$2,730.00 | \$1,695.00 |
| 1400mm | PS/PA/EL-141227-00 | 1400L x 1020W x 275H Twin Drawer Module | 1340mm | 430mm | Std 220/Trade 310mm | \$2,475.00 | \$2,775.00 | \$1,750.00 |
| 1400mm | PS/PA-141427-00 | 1400L x 1140W x 275H Twin Drawer Module | 1340mm | 490mm | Std 220/Trade 310mm | \$2,505.00 | \$2,805.00 | N/A |
| 1450mm | PS/PA/EL-451227-00 | 1450L x 1020W x 275H Twin Drawer Module | 1390mm | 430mm | Std 220/Trade 310mm | \$2,520.00 | \$2,820.00 | \$1,750.00 |
| 1450mm | PS/PA-451427-00 | 1450L x 1140W x 275H Twin Drawer Module | 1390mm | 490mm | Std 220/Trade 310mm | \$2,545.00 | \$2,845.00 | N/A |
| 1500mm | PS/PA/EL-151227-00 | 1500L x 1020W x 275H Twin Drawer Module | 1440mm | 430mm | Std 220/Trade 310mm | \$2,565.00 | N/A | \$1,805.00 |
| 1500mm | PS-151427-00 | 1500L x 1140W x 275H Twin Drawer Module | 1440mm | 490mm | Std 220/Trade 310mm | \$2,590.00 | N/A | N/A |
| 1600mm | PS/EL-161227-00 | 1600L x 1020W x 275H Twin Drawer Module | 1540mm | 430mm | Std 220/Trade 310mm | \$2,605.00 | N/A | \$1,860.00 |
| 1600mm | PS-161427-00 | 1600L x 1140W x 275H Twin Drawer Module | 1540mm | 490mm | Std 220/Trade 310mm | \$2,635.00 | N/A | N/A |
| 1700mm | PS/EL-171227-00 | 1700L x 1020W x 275H Twin Drawer Module | 1640mm | 430mm | Std 220/Trade 310mm | \$2,695.00 | N/A | \$1,915.00 |
| 1700mm | PS-171427-00 | 1700L x 1140W x 275H Twin Drawer Module | 1640mm | 490mm | Std 220/Trade 310mm | \$2,725.00 | N/A | N/A |
| 1800mm | PS/EL-181227-00 | 1800L x 1020W x 275H Twin Drawer Module | 1740mm | 430mm | Std 220/Trade 310mm | \$2,785.00 | N/A | \$1,970.00 |
| 1800mm | PS-181427-00 | 1800L x 1140W x 275H Twin Drawer Module | 1740mm | 490mm | Std 220/Trade 310mm | \$2,810.00 | N/A | N/A |

Wing Kit Pricing is on page 182
 1450x1020 & 1450x1140 alloy module not available for trade height

DRAWER SPECIFICATIONS

PRODUCT SPECS

BASE DRAWER WEIGHTS

1000L Twin Drawer

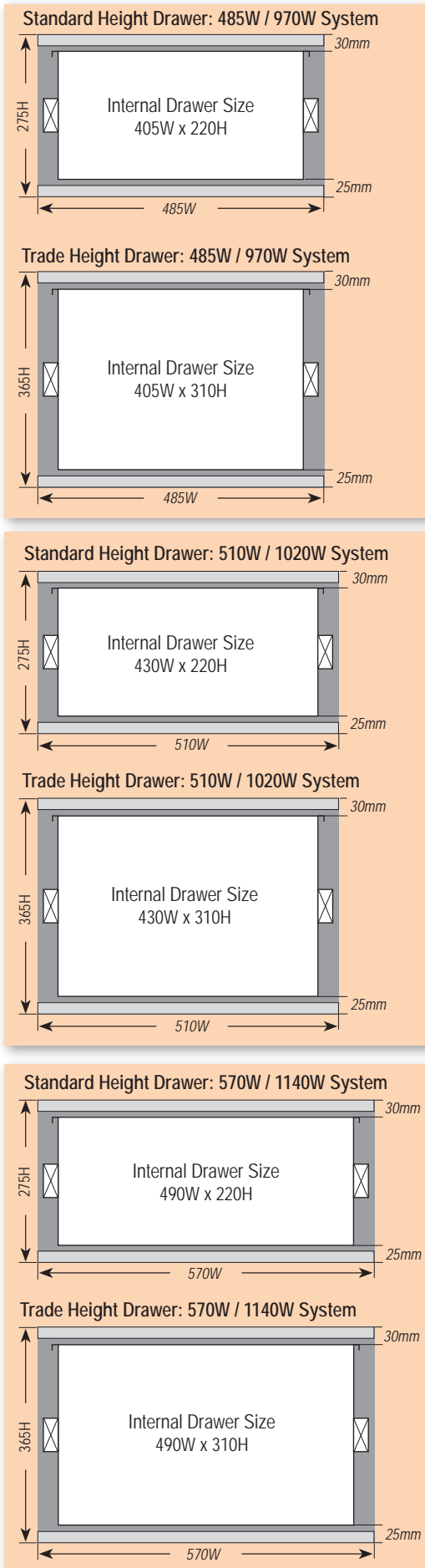
| | |
|---------------|----------------------------------|
| Premium steel | 85kg |
| Ecolite | 65kg (approx. 23% weight saving) |
| Premium alloy | 49kg (approx. 40% weight saving) |

DRAWER DIMENSIONS

| Length | Drawer Unit Dimensions O/A (excludes wings) | Single Drawer I/D |
|---------|---|---------------------|
| | | |
| RV-700 | 700L x 970W x 275H Twin Drawer | 640L x 405W x 220H |
| | | |
| RV-800 | 800L x 970W x 275H Twin Drawer | 740L x 405W x 220H |
| | | |
| RV-900 | 900L x 970W x 275H Twin Drawer | 840L x 405W x 220H |
| | | |
| RV-1000 | 1000L x 1020W x 275H Twin Drawer | 940L x 430W x 220H |
| | | |
| RV-1200 | 1200L x 1020W x 275H Twin Drawer | 1140L x 430W x 220H |
| RV-1200 | 1200L x 1020W x 365H Twin Drawer | 1140L x 430W x 310H |
| | | |
| RV-1300 | 1300L x 1020W x 275H Twin Drawer | 1240L x 430W x 220H |
| RV-1300 | 1300L x 1020W x 365H Twin Drawer | 1240L x 430W x 310H |
| | | |
| RV-1400 | 1400L x 1020W x 275H Twin Drawer | 1340L x 430W x 220H |
| RV-1400 | 1400L x 1020W x 365H Twin Drawer | 1340L x 430W x 310H |
| | | |
| RV-1450 | 1450L x 1020W x 275H Twin Drawer | 1390L x 430W x 220H |
| RV-1450 | 1450L x 1020W x 365H Twin Drawer | 1390L x 430W x 310H |
| RV-1450 | 1450L x 1140W x 275H Twin Drawer | 1390L x 490W x 220H |
| RV-1450 | 1450L x 1140W x 365H Twin Drawer | 1390L x 490W x 310H |
| | | |
| RV-1500 | 1500L x 1020W x 275H Twin Drawer | 1440L x 430W x 220H |
| RV-1500 | 1500L x 1020W x 365H Twin Drawer | 1440L x 430W x 310H |
| RV-1500 | 1500L x 1140W x 275H Twin Drawer | 1440L x 490W x 220H |
| RV-1500 | 1500L x 1140W x 365H Twin Drawer | 1440L x 490W x 310H |
| | | |
| RV-1800 | 1800L x 1020W x 275H Twin Drawer | 1740L x 430W x 220H |
| RV-1800 | 1800L x 1020W x 365H Twin Drawer | 1740L x 430W x 310H |
| RV-1800 | 1800L x 1140W x 275H Twin Drawer | 1740L x 490W x 220H |
| RV-1800 | 1800L x 1140W x 365H Twin Drawer | 1740L x 490W x 310H |

SLIMLINE DRAWER DIMENSIONS

| Length | Drawer Unit Dimensions O/A | Single Drawer I/D |
|--------|----------------------------|-------------------|
| | | |
| PA-S-1 | 900L x 485W x 100H | 810L x 395W x 65H |
| PA-S-2 | 900L x 570W x 100H | 810L x 480W x 65H |
| PA-S-3 | 1000L x 510W x 100H | 910L x 420W x 65H |
| PA-S-4 | 1000L x 570W x 100H | 910L x 480W x 65H |



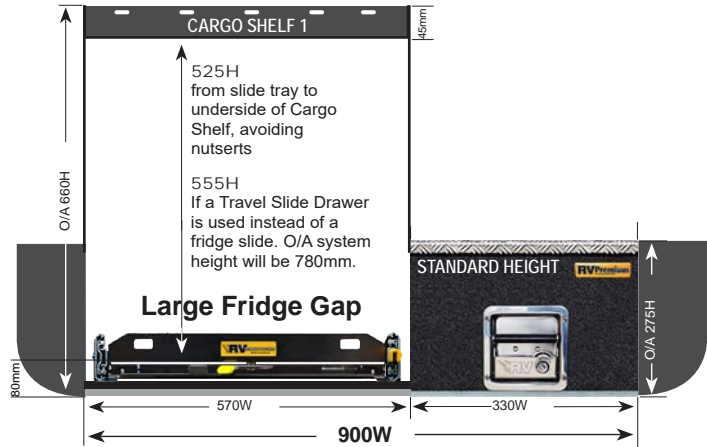
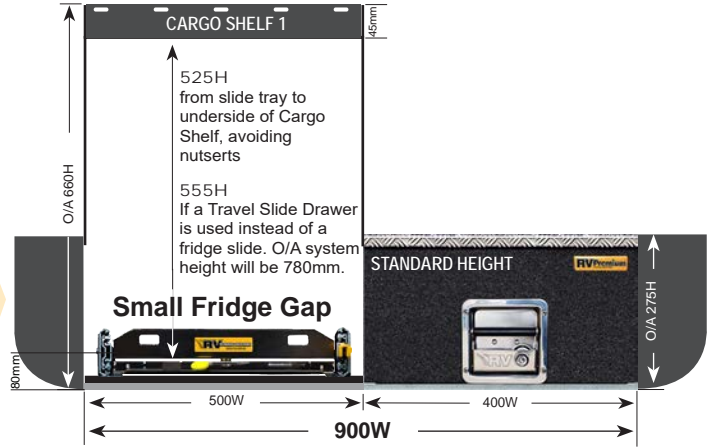
EASY ACCESS COMBO 1 (EAC-1)

PRODUCT SPECS

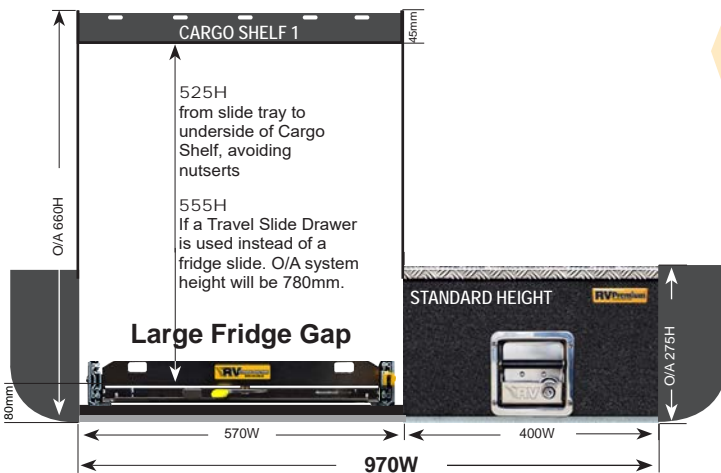
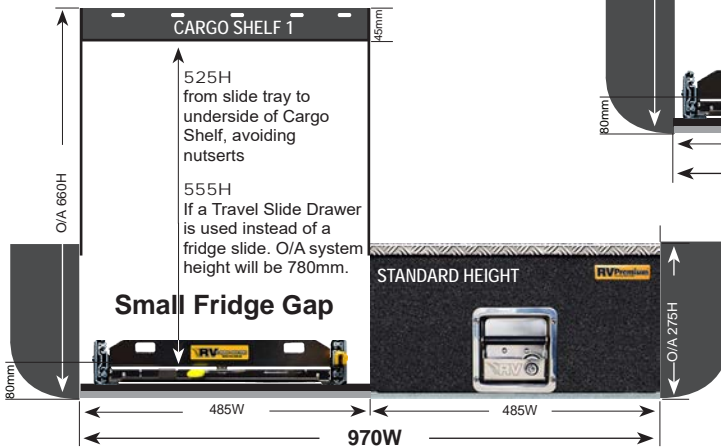
EAC-1 WAGONS 900W & 970W

These Easy Access Combo 1 systems (EAC-1) are based on a Standard Height system.
Widths available: 900W, 970W or 1020W. NOTE: 1140W not available in wagons.

900mm Wide Systems



970W Wide Systems



LEFT:
Standard Height 970W EAC-1 systems suitable for:

- Toyota Landcruiser 70 Series
- Toyota Landcruiser 76 Series
- Toyota Prado 95, 120, 150
- Toyota Kluger
- Ford Territory
- Holden Colorado 7
- Isuzu MU-X
- Nissan Pathfinder (R51)**
- Ford Next-Gen Everest
- Mitsubishi Pajero (N-Series)
- Toyota Fortuner

THIS CONFIGURATION IS ALSO AVAILABLE FOR UTILITIES.

RIGHT:
Standard Height 900W EAC-1 systems suitable for:

- Ford Everest (2015-2021)
- Landrover Discovery 3 & 4
- Mitsubishi Challenger
- Mitsubishi Pajero Sport
- Suzuki Vitara

THIS CONFIGURATION IS ALSO AVAILABLE FOR UTILITIES.

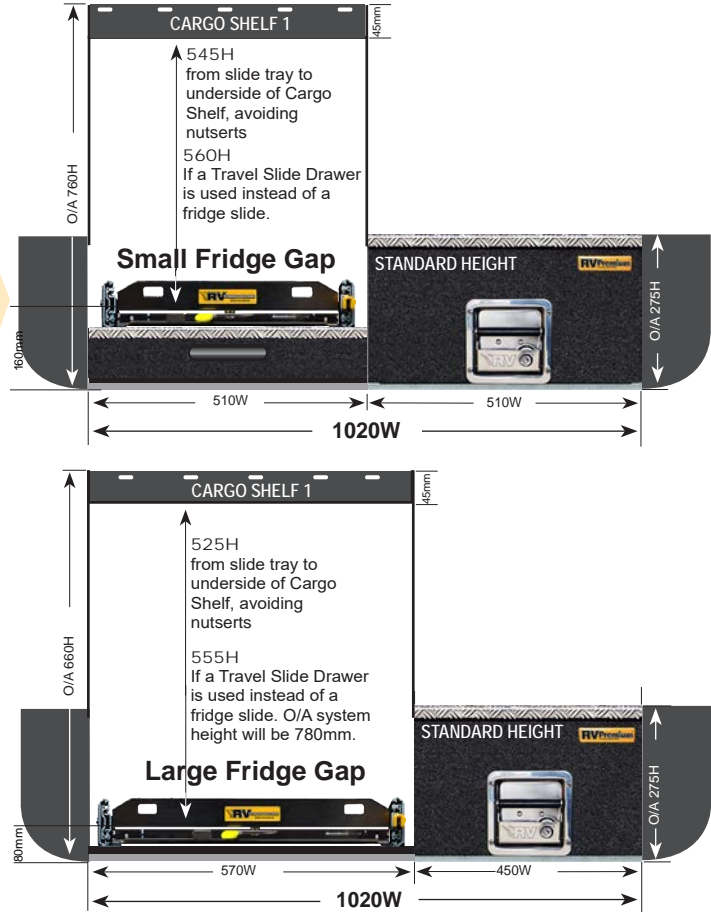
EAC-1 WAGONS - 1020W

These Easy Access Combo 1 systems (EAC-1) are based on a Standard Height system.
Widths available: 900W, 970W or 1020W. NOTE: 1140W not available in wagons.

1020W Wide Systems

RIGHT:
These Standard Height
1020W EAC-1 systems are
suitable for:
Toyota Landcruiser 80 Series
Toyota Landcruiser 100 Series
Toyota Landcruiser 200 Series
Toyota Landcruiser 300 Series
Nissan GQ / GU Patrol
Nissan Y62 Patrol

*THIS CONFIGURATION IS
ALSO AVAILABLE FOR ALL
UTILITIES.*



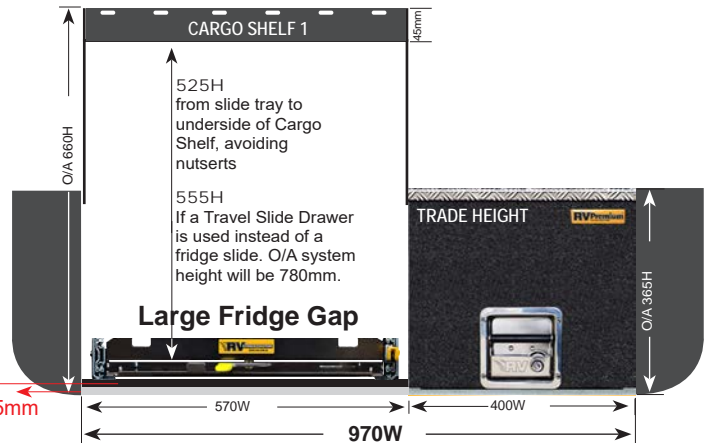
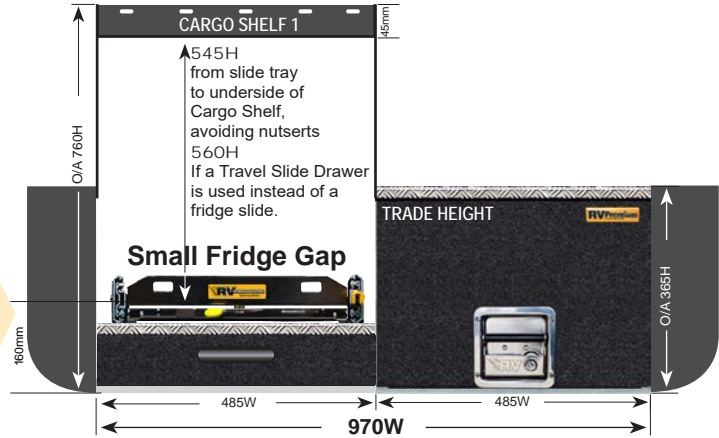
EASY ACCESS COMBO 1 (EAC-1)

PRODUCT SPECS

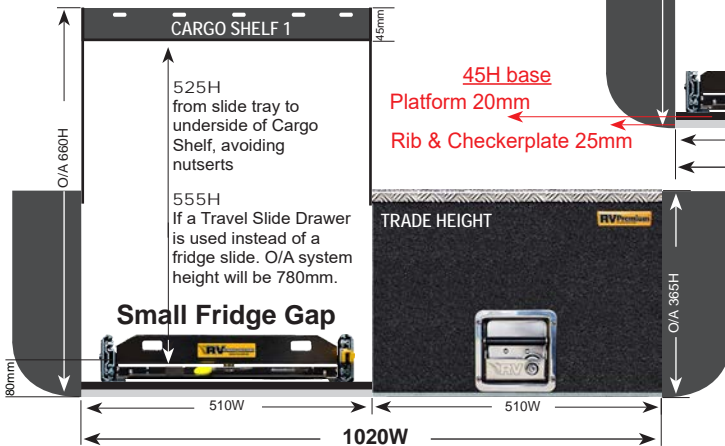
EAC-1 UTES - 970W & 1020W

These Easy Access Combo 1 systems (EAC-1) are based on a Trade Height system.

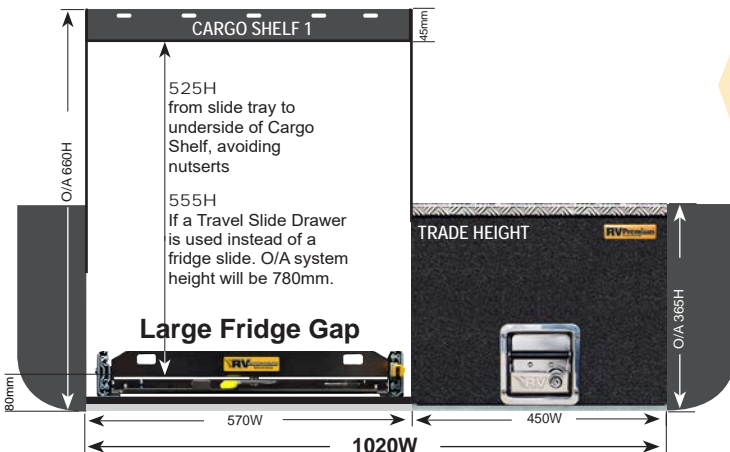
970W Wide Systems



1020W Wide Systems



45H base
Platform 20mm
Rib & Checkerplate 25mm



RIGHT:
These Trade Height 970W EAC-1 systems are suitable for:

- Mitsubishi MK / ML Triton
- Isuzu D-Max Dual Cab
- GreatWall V-Series Dual Cab
- Jeep JK Wrangler 2 Door
- Holden Rodeo

LEFT:
These Trade Height 1020W EAC-1 systems are suitable for:

- Nissan D22 / D40
- Nissan NP300
- Ford PX Ranger
- Mazda B3000/BT50
- Mitsubishi MN / MQ Triton
- Toyota Hilux
- Isuzu D-Max

EASY ACCESS COMBO 1 (EAC-1)

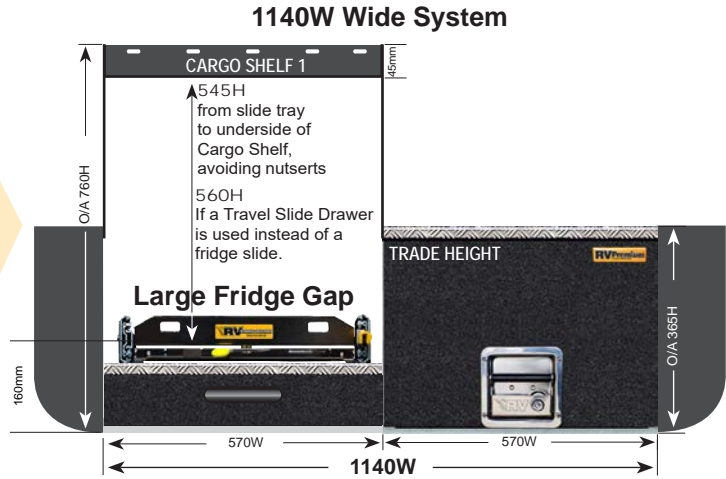
PRODUCT SPECS

EAC-1 UTES - 1140W

This Easy Access Combo 1 system (EAC-1) is based on a Trade Height system. No small gap option available for 1140W wide system.

RIGHT:
This Trade Height 1140W EAC-1 system is suitable for:

- VW Amarok
- Dodge Ram
- Ford Next Gen Ranger (No Tub Liner or Roller Shutter)
- Mercedes X-Class



EASY ACCESS COMBO 2 (EAC-2)

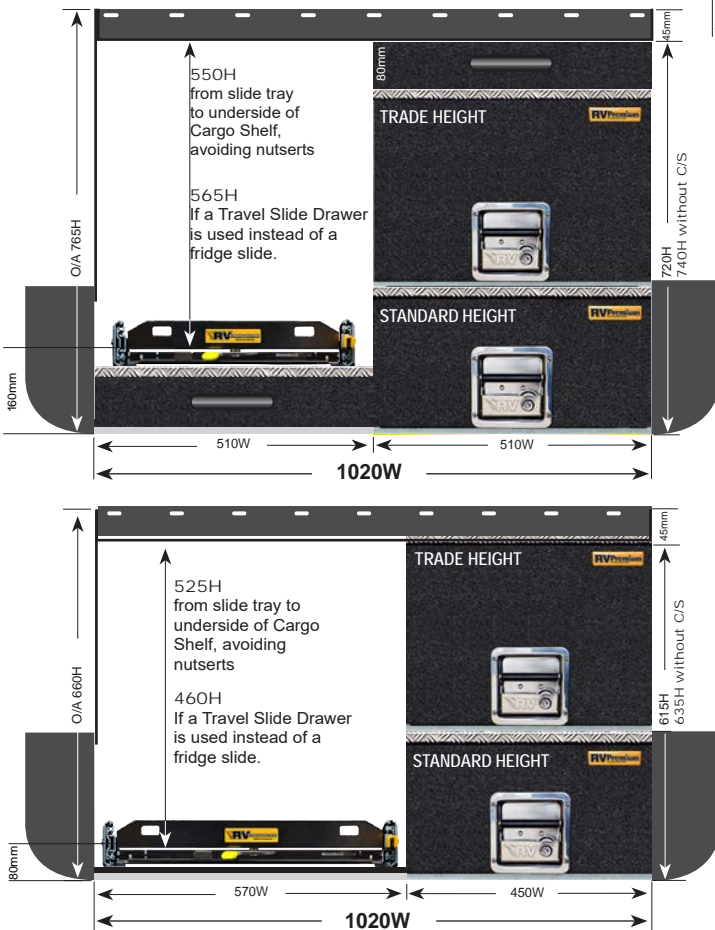
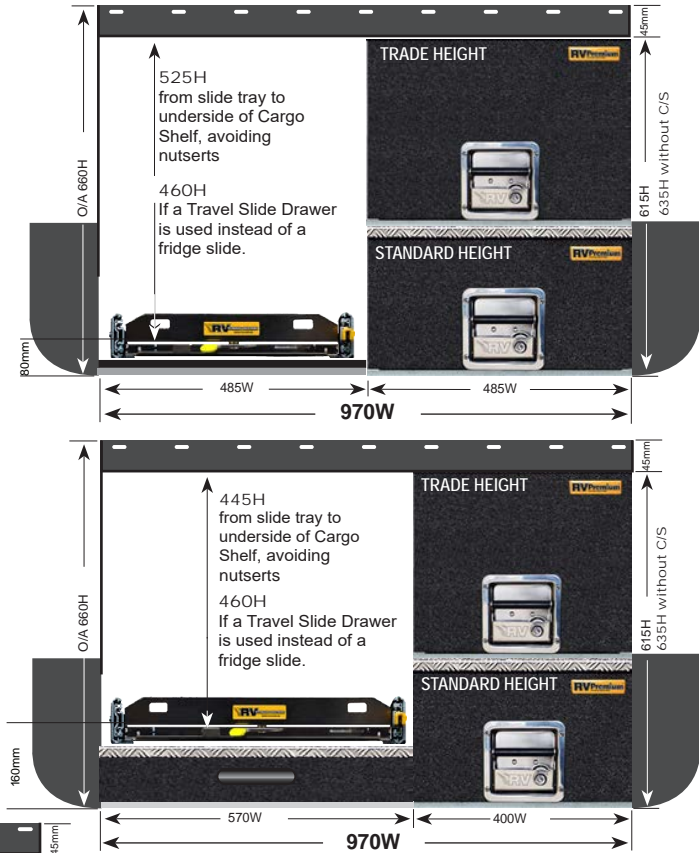
PRODUCT SPECS

EAC-2 WAGONS

These Easy Access Combo 2 systems (EAC-2) are based on a Standard Height bottom drawer with Trade Height top drawer OR optional Trade Height Bottom Drawer (+\$110).

RIGHT:
 These Standard Height 970W EAC-2 systems are suitable for:
 Landcruiser 76 Series
 Prado 95
 Prado 120
 Prado 150
 Kluger
 Territory
 Colorado 7
 MU-X
 Pathfinder

THIS CONFIGURATION IS ALSO AVAILABLE FOR UTILITIES.



LEFT:
 These Standard Height 1020W EAC-2 systems are suitable for:

- Landcruiser 80 Series
- Landcruiser 100 Series
- Landcruiser 200 Series
- Landcruiser 300 Series
- GQ / GU Patrol
- Y62 Patrol
- D-Max

THIS CONFIGURATION IS ALSO AVAILABLE FOR ALL UTILITIES.

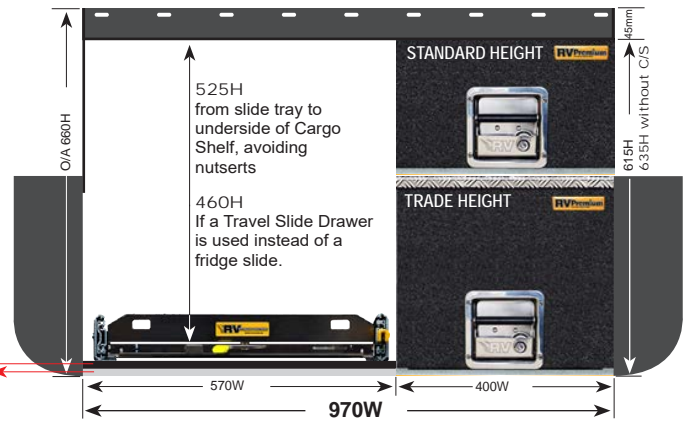
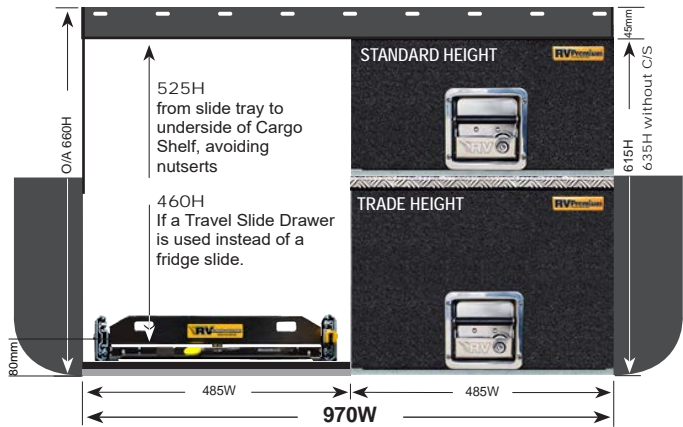
EASY ACCESS COMBO 2 (EAC-2)

PRODUCT SPECS

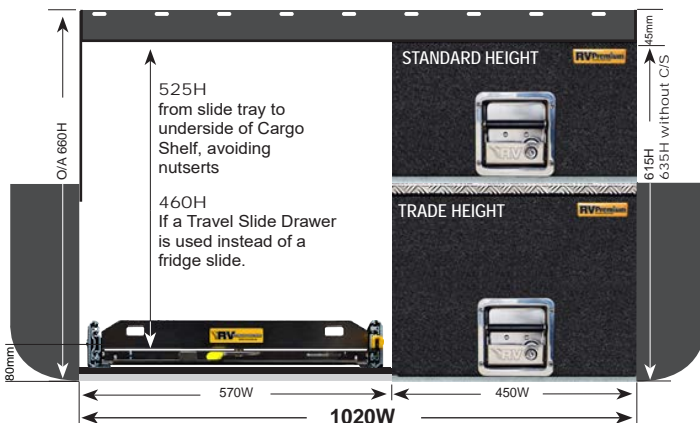
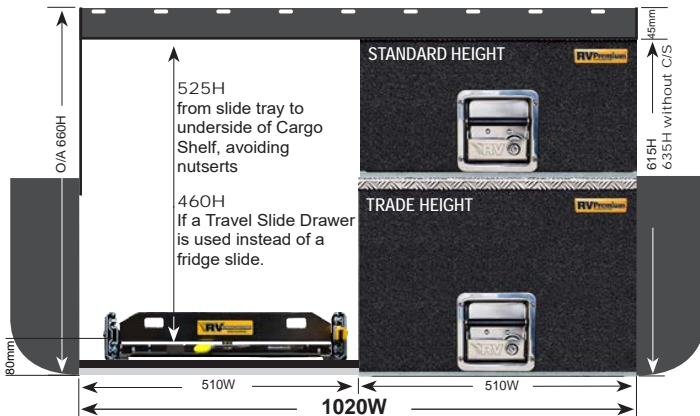
EAC-2 UTES

These Easy Access Combo 2 systems (EAC-2) are based on a Trade Height bottom drawer with Standard Height top drawer OR optional Trade Height Top Drawer (+\$110).

RIGHT:
 These 970W EAC-2 systems have a Trade Height bottom drawer and Standard Height top drawer. Suitable for:
Mitsubishi MK / ML Triton
Isuzu D-Max Dual Cab
GreatWall V-Series Dual Cab



45H base
 20mm ← 25mm ←



LEFT:
 These 1020W EAC-2 systems have a Trade Height bottom drawer and Standard Height top drawer. Suitable for:
Nissan D22 / D40
Nissan NP300
Ford PX Ranger
Mazda B3000/BT50
Mitsubishi MN / MQ Triton
Toyota Hilux
D-Max

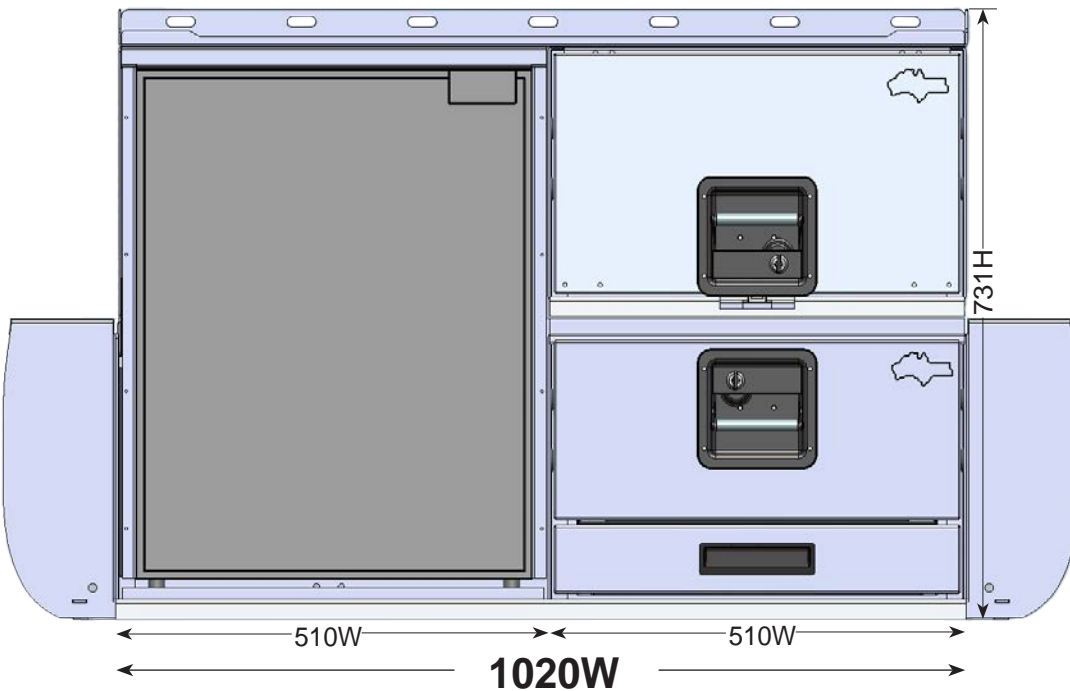
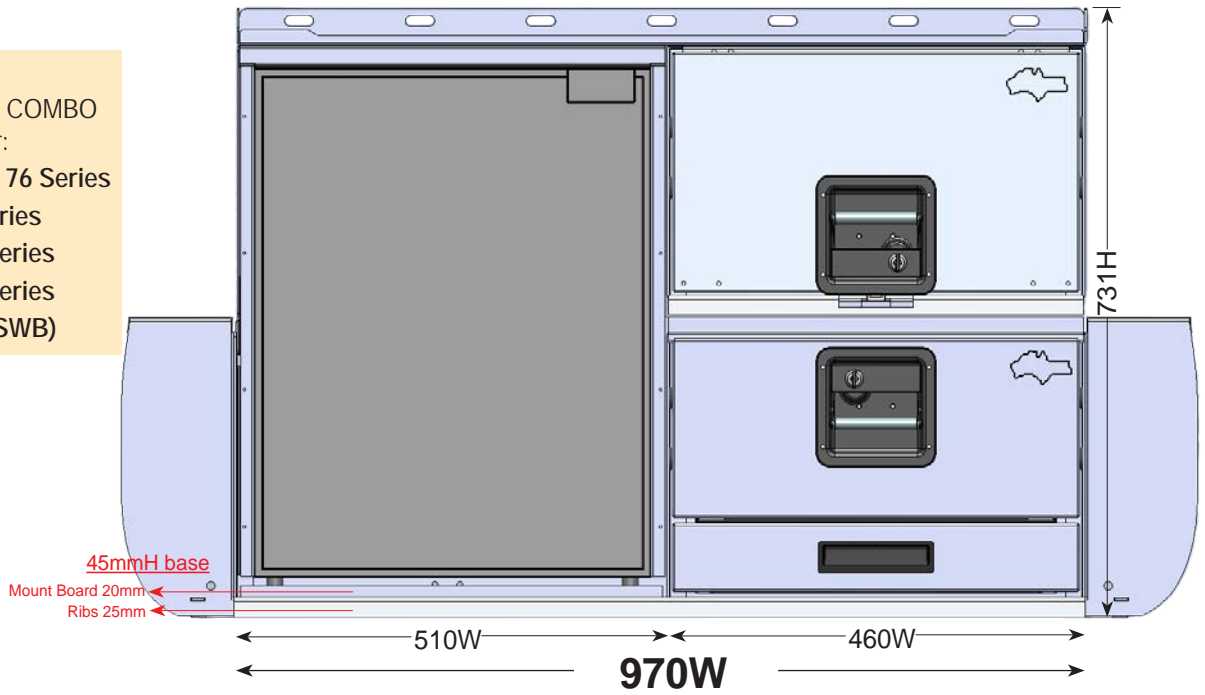
TOURER COMBO

PRODUCT SPECS

TOURER COMBO FOR LISTED WAGONS ONLY

The Tourer Combo system is based on a Slimline Pantry bottom drawer, Standard Height middle drawer AND Trade Height Top Drawer, 85Lt Bushman Upright Fridge and Double Cargo Shelf. **ALSO INCLUDES EXTENSION TABLE AND DRAWER LIDS FOR SLIMLINE & STANDARD DRAWERS**

RIGHT:
This 970W TOURER COMBO system is suitable for:
Toyota Landcruiser 76 Series
Toyota Prado 95 Series
Toyota Prado 120 Series
Toyota Prado 150 Series
(Except ZR 3 Door SWB)



LEFT:
This 1020W TOURER COMBO system is suitable for:
Nissan Patrol GQ
Nissan Patrol GU
Nissan Patrol Y62
Toyota Landcruiser 60 Series
Toyota Landcruiser 80 Series
Toyota Landcruiser 100 Series
Toyota Landcruiser 200 Series
Toyota Landcruiser 300 Series
Ineos Grenadier

SLIDES

| CODE | DESCRIPTION | RRP |
|--|--|------------|
| TILT SLIDE COMBO - Full specs on page 184 | | |
| RV-TS-COMBO-1 | Tilt Slide Combo - 790L x 510W x 611H O/A - stand alone Tilt Slide and cargo shelf combo (Requires assembly) | \$885.00 |
| RV-TS-COMBO-1.5 | Tilt Slide Combo - 790L x 583W x 611H O/A - stand alone Tilt Slide and cargo shelf combo (Requires assembly) | \$945.00 |
| RV-TS-COMBO-2 | Tilt Slide Combo - 890L x 618W x 611H O/A - stand alone Tilt Slide and cargo shelf combo (Requires assembly) | \$1,005.00 |
| RV-TS-COMBO-2.25 | Tilt Slide Combo - 990L x 618W x 611H O/A - stand alone Tilt Slide and cargo shelf combo (Requires assembly) | \$1,063.00 |

INBUILT FRIDGE SLIDES (Inbuilt slide must be specified with your Drawers Order. It cannot be retro fitted)

| | | |
|-----------------|---|----------|
| RV-IBFS-800-DS | Inbuilt Fridge Slide - flush fitting 800L (DRIVERS SIDE) Inbuilt Fridge Slides N/A for alloy drawers | \$413.00 |
| RV-IBFS-800-PS | Inbuilt Fridge Slide - flush fitting 800L (PASSENGER SIDE) Inbuilt Fridge Slides N/A for alloy drawers | \$413.00 |
| RV-IBFS-900-DS | Inbuilt Fridge Slide - flush fitting 900L (DRIVERS SIDE) Inbuilt Fridge Slides N/A for alloy drawers | \$413.00 |
| RV-IBFS-900-PS | Inbuilt Fridge Slide - flush fitting 900L (PASSENGER SIDE) Inbuilt Fridge Slides N/A for alloy drawers | \$413.00 |
| RV-IBFS-1000-DS | Inbuilt Fridge Slide - flush fitting 1000L (DRIVERS SIDE) Inbuilt Fridge Slides N/A for alloy drawers | \$448.00 |
| RV-IBFS-1000-PS | Inbuilt Fridge Slide - flush fitting 1000L (PASSENGER SIDE) Inbuilt Fridge Slides N/A for alloy drawers | \$448.00 |
| RV-IBFS-1300-DS | Inbuilt Fridge Slide - flush fitting 1300L (DRIVERS SIDE) Inbuilt Fridge Slides N/A for alloy drawers | \$472.00 |
| RV-IBFS-1300-PS | Inbuilt Fridge Slide - flush fitting 1300L (PASSENGERS SIDE) Inbuilt Fridge Slides N/A for alloy drawers | \$472.00 |

Inbuilt Fridge Slide warranty is void if fridge is not secured with correct tie down straps. Not available in alloy units.

SLIDES - HEAVY DUTY - Free Standing - Full specs on page 184 PS / PA

| | | |
|------------|---|---------------------|
| RV-FS-1 | Heavy Duty Fridge Slide - 750L x 455W x 80H (External Dimensions) | \$472.00 / \$522.00 |
| RV-FS-1-SO | Heavy Duty Fridge Slide - 450L x 770W x 110H (External Dimensions) (SIDE OPENING) | \$472.00 / N/A |
| RV-FS-1.5 | Heavy Duty Fridge Slide - 750L x 530W x 80H (External Dimensions) | \$520.00 / \$570.00 |
| RV-FS-2 | Heavy Duty Fridge Slide - 850L x 560W x 80H (External Dimensions) NOTE: ENGEL 60/80 requires an RV-FS-2 ISP (INTERNAL SLIDE PLATFORM) for power socket clearance with this slide (see ISP listing below). | \$567.00 / \$617.00 |
| RV-FS-2-SO | Heavy Duty Fridge Slide - 550L x 870W x 110H (External Dimensions) (SIDE OPENING) | \$567.00 / N/A |
| RV-FS-2.25 | Heavy Duty Fridge Slide - 950L x 560W x 80H (External Dimensions) NOTE: WAECO CFX 75 requires an RV-FS-2.25 ISP (INTERNAL SLIDE PLATFORM) to fit this slide (see ISP listing below). NOTE: Slide does not accommodate the transit bag. | \$590.00 / \$640.00 |
| RV-FS-2.5 | Heavy Duty Fridge Slide - 1050L x 560W x 80H (External Dimensions) NOTE: WAECO CFX 95 requires an RV-FS-2.5 ISP (INTERNAL SLIDE PLATFORM) to fit this slide (see ISP listing below). NOTE: Slide does not accommodate the transit bag. | \$685.00 / \$735.00 |
| RV-FS-3 | Heavy Duty Fridge Slide - 1410L x 455W x 80H (External Dimensions) Fits most 40-50lt fridges | \$886.00 / \$961.00 |
| RV-FS-3.5 | Heavy Duty Fridge Slide - 1410L x 560W x 80H (External Dimensions) NOTE: WAECO CFX 95 requires an RV-FS-3.5 ISP (INTERNAL SLIDE PLATFORM) to fit this slide (see ISP listing below). NOTE: Slide does not accommodate the transit bag. | \$886.00 / \$961.00 |

NOTE: Free Standing Fridge Slide warranty is void if fridge is not secured with correct tie down straps.

SLIDES - ECOLITE - All purpose - Freestanding

| | | |
|---------|---|----------|
| EL-AP-1 | All Purpose Slide - 725L x 342W x 80H (External Dimensions) | \$325.00 |
| EL-AP-2 | All Purpose Slide - 530L x 342W x 80H (External Dimensions) | \$301.00 |

NOTE: AP - Slide warranty is void if BBQ or Generator is not secured with correct tie down straps.

SLIDES - CARGO SLIDE - NEW VERSION

| | | |
|-------------|---|------------|
| RV-CSL-1497 | RV Cargo Slide 1425L x 970W x 153H O/A | \$1,499.00 |
| RV-CSL-1412 | RV Cargo Slide 1425L x 1020W x 153H O/A | \$1,599.00 |
| RV-CSL-1414 | RV Cargo Slide 1425L x 1140W x 153H O/A | \$1,799.00 |

FRIDGE SLIDE ACCESSORIES

ISP - INTERNAL SLIDE PLATFORM - RV-FS-2, RV-FS-2-SO, RV-FS-2.5, FS-3, FS-3.5 - 20mm high each

| | | |
|----------------|--|---------|
| RV-FS-2 ISP | ISP - Internal Slide Platform (NOTE: THIS MUST BE USED WITH ENGEL 60/80 FRIDGES) | \$48.00 |
| RV-FS-2.25 ISP | ISP - Internal Slide Platform (NOTE: THIS MUST BE USED WITH WAECO CFX75/CFX95 FRIDGES) | \$48.00 |
| RV-FS-2.5 ISP | ISP - Internal Slide Platform (NOTE: THIS MUST BE USED WITH WAECO CFX95 FRIDGES) | \$48.00 |
| RV-FS-3.5 ISP | ISP - Internal Slide Platform (NOTE: THIS MUST BE USED WITH WAECO CFX95 FRIDGES) | \$60.00 |

MOUNT BOARDS - Mounting fridges slides

| | | |
|---------------|--------------------------------|---------|
| RV-FS-1 MB | Mount Board 730L x 460W x 20H | \$48.00 |
| RV-FS-1-SO MB | Mount Board 430L x 765W x 20H | \$48.00 |
| RV-FS-1.5 MB | Mount Board 730L x 533W x 20H | \$48.00 |
| RV-FS-2 MB | Mount Board 831L x 565W x 20H | \$48.00 |
| RV-FS-2-SO MB | Mount Board 526L x 871W x 20H | \$48.00 |
| RV-FS-2.25 MB | Mount Board 931L x 565W x 20H | \$53.00 |
| RV-FS-2.5 MB | Mount Board 1031L x 565W x 20H | \$60.00 |
| RV-FS-3 MB | Mount Board 1400L x 460W x 20H | \$83.00 |
| RV-FS-3.5 MB | Mount Board 1400L x 565W x 20H | \$83.00 |

FRIDGE SLIDE ACCESSORIES cont.

| CODE | DESCRIPTION | RRP |
|--|--|----------|
| FRIDGE SLIDE ENCLOSURES - ALLOY | | |
| RV-FE1 | Fridge Enclosure to fit to Fridge Slide 1 - 770L x 455W x 610H O/A, Max fridge size 709L x 395W x 510H** | \$520.00 |
| RV-FE1.5 | Fridge Enclosure to fit to Fridge Slide 1.5 - 770L x 525W x 610H O/A, Max fridge size 706L x 470W x 510H** | \$520.00 |
| RV-FE2 | Fridge Enclosure to fit to Fridge Slide 2 - 870L x 565W x 610H O/A, Max fridge size 807L x 500W x 510H** | \$572.00 |
| RV-FE2.25 | Fridge Enclosure to fit to Fridge Slide 2.25 - 970L x 565W x 610H O/A, Max fridge size 907L x 500W x 510H** | \$630.00 |
| RV-FE2.5 | Fridge Enclosure to fit to Fridge Slide 2.5 - 1070L x 565W x 610H O/A, Max fridge size 1009L x 500W x 510H** | \$630.00 |

**When on top of an RV fridge slide

UPRIGHT FRIDGE ENCLOSURES - ALLOY

| | | |
|------------|--|----------|
| RV-BM65FE | 65L Bushman Upright Fridge Enclosure - 585L x 456W x 608H O/A | \$599.00 |
| RV-BM85FE | 85L Bushman Upright Fridge Enclosure - 610L x 484W x 700H O/A | \$649.00 |
| RV-BM130FE | 130L Bushman Upright Fridge Enclosure - 615L x 534W x 825H O/A | \$709.00 |
| RV-NRX80FE | 75L Dometic NRX-80 Upright Fridge Enclosure - 560L x 482W x 700H O/A | \$649.00 |

UPRIGHT PANTRY - ALLOY

| | | |
|--------------------|--|----------|
| PA-PTRY-BM85-900 | Upright Pantry - fits to an 85L Bushman Upright Fridge Enclosure in 900mm long drawer system (Suits Small Travel Buddy) | \$649.00 |
| PA-PTRY-BM85-1000 | Upright Pantry - fits to an 85L Bushman Upright Fridge Enclosure in 1000mm long drawer system (Suits Marine Travel Buddy) | \$649.00 |
| PA-PTRY-NRX80-900 | Upright Pantry - fits to a 75L Dometic NRX80 Upright Fridge Enclosure in 900mm long drawer system (Suits Small Travel Buddy) | \$649.00 |
| PA-PTRY-NRX80-1000 | Upright Pantry - fits to a 75L Dometic NRX80 Upright Fridge Enclosure in 1000mm long drawer system (Suits Marine Travel Buddy) | \$649.00 |

DRAWER SYSTEM ACCESSORIES

DRAWER DIVIDERS - PREMIUM DRAWERS

| | | PS | PA |
|---------------|---|---------|---------|
| PS/PA-DIV-TDS | Drawer Divider, Carpeted Finish - suits Standard Height drawers <i>(PLEASE SPECIFY THE DRAWER SYSTEM AND OVERALL DRAWER WIDTH FOR THE DIVIDER WHEN ORDERING)</i> | \$42.00 | \$47.00 |
| PS/PA-DIV-TDH | Drawer Divider, Carpeted Finish - suits Trade Height drawers <i>(PLEASE SPECIFY THE DRAWER SYSTEM AND OVERALL DRAWER WIDTH FOR THE DIVIDER WHEN ORDERING)</i> | \$47.00 | \$52.00 |

DRAWER DIVIDERS - ECOLITE DRAWERS

| | | |
|--------|---|---------|
| EL-DIV | Drawer Divider, Carpeted Finish - suits EcoLite drawers <i>(PLEASE SPECIFY THE OVERALL DRAWER WIDTH FOR THE DIVIDER WHEN ORDERING)</i> | \$42.00 |
|--------|---|---------|

TOP SHELF / DIVIDING BARRIER (mounts to RV Half Cargo Barrier)

| | | |
|-------|--|----------|
| RV-TS | Top Shelf only | \$563.00 |
| RV-DB | Dividing Barrier for use with Top Shelf - Dividing Barrier N/A for trade height drawers | \$142.00 |

CARGO SHELF- 1 Suits EAC-1 systems 900 / 1000 / 1400mm

| | | |
|-------------------------|--|----------|
| RV-CS- Vehicle Specific | Single Cargo Shelf - 700L (To fit EAC-1 900L) 540H from fridge slide tray to shelf. <i>(Available in 2 widths 485W / 570W).</i> WHEN ORDERING BE SURE TO SPECIFY THE WIDTH OF THE SLIDE SPACE | \$520.00 |
| RV-CS- Vehicle Specific | Single Cargo Shelf - 800L (To fit EAC-1 1000L) 540H from fridge slide tray to shelf. <i>(Available in 2 widths 510W / 570W).</i> WHEN ORDERING BE SURE TO SPECIFY THE WIDTH OF THE SLIDE SPACE | \$520.00 |
| RV-CS- Vehicle Specific | Single Cargo Shelf - 1400L (To fit EAC-1 1400L) 540H fridge slide tray to shelf. <i>(Available in 2 widths 510W / 570W).</i> WHEN ORDERING BE SURE TO SPECIFY THE WIDTH OF THE SLIDE SPACE Will require rear support bracket when fitted on top of a Slimline Drawer | \$803.00 |

CARGO SHELF- 2 Suit EAC-2 systems 900 / 1000mm (fitted with Trade Height top drawer)

| | | |
|---------------|--|----------|
| RV-CS-0797-00 | Double Cargo Shelf - 700L (To fit EAC-2 900L with 700L top drawer) 540H from fridge slide tray to shelf | \$567.00 |
| RV-CS-0812-00 | Double Cargo Shelf - 800L (To fit EAC-2 1000L with 800L top drawer) 540H from fridge slide tray to shelf | \$567.00 |

SLIMLINE PANTRY DRAWERS - Alloy- Mount to any flat surface

| | | |
|-------------|---|----------|
| PA-SLD-7050 | Slimline Drawer Alloy - 700L x 500W x 100H - incl. T-nuts and hardware (supply only) | \$682.00 |
| PA-SLD-8048 | Slimline Drawer Alloy - 800L x 485W x 100H - incl. T-nuts and hardware (supply only) | \$682.00 |
| PA-SLD-8057 | Slimline Drawer Alloy - 800L x 570W x 100H - incl. T-nuts and hardware (supply only) | \$682.00 |
| PA-SLD-9048 | Slimline Drawer Alloy - 900L x 485W x 100H - incl. T-nuts and hardware (supply only) | \$682.00 |
| PA-SLD-9057 | Slimline Drawer Alloy - 900L x 570W x 100H - incl. T-nuts and hardware (supply only) | \$682.00 |
| PA-SLD-1051 | Slimline Drawer Alloy - 1000L x 510W x 100H - incl. T-nuts and hardware (supply only) | \$682.00 |
| PA-SLD-1057 | Slimline Drawer Alloy - 1000L x 570W x 100H - incl. T-nuts and hardware (supply only) | \$682.00 |

**NOTES: 450W is the narrowest Slimline Pantry Drawer available. 700L is the shortest Slimline Pantry Drawer available.

SLIMLINE BATTERY CRADLE - See pages 187 & 188 for a list of batteries RV has tested with the cradles

| | | |
|----------------------|---|----------|
| RV-SLBC-Y62 | Slimline Battery Cradle for Nissan Y62 Patrol (882L x 300W) Max battery size 880L x 300W x 75H | \$220.00 |
| RV-SLBC-150 | Slimline Battery Cradle for Toyota Prado 150 (864L x 299W) Max battery size 860L x 300W x 55H | \$198.00 |
| RV-SLBC-250 | Slimline Battery Cradle for Toyota Prado 250 (697L x 300W) Max battery size 655L x 300W x 85H | \$198.00 |
| RV-SLBC-300-5 | Slimline Battery Cradle for Toyota Landcruiser 300 Series 5 Seater (894L x 303W) Max battery size 890L x 300W x 85H | \$220.00 |
| RV-SLBC-300-7 | Slimline Battery Cradle for Toyota Landcruiser 300 Series 7 Seater (894L x 300W) Max battery size 890L x 300W x 115H | \$220.00 |
| RV-SLBC-300-7-HALF | Slimline Battery Cradle for Toyota Landcruiser 300 Series 7 Seater half drawer (510L x 371W) Max battery size 510L x 370W x 85H | \$220.00 |
| RV-SLBC-EVEREST | Slimline Battery Cradle for Ford Everest PREVIOUS GEN (954L x 299W) Max battery size 950L x 300W x 70H | \$198.00 |
| RV-SLBC-NGEVEREST | Slimline Battery Cradle for Ford Everest NEXT GEN (958L x 303W) Max battery size 950L x 300W x 75H | \$198.00 |
| RV-SLBC-MUX | Slimline Battery Cradle for Isuzu MUX 2021+ (806L x 300W) Max battery size 800L x 300W x 113H | \$198.00 |
| RV-SLBC-300-DBL-FLAT | Double Slimline Battery Cradle for Toyota Landcruiser 300 series 7 Seater (896L x 506W) Max battery size 890L x 505W x 90H | \$399.00 |
| RV-SLBC-300-DBL-STEP | Double Slimline Battery Cradle for Toyota Landcruiser 300 series 7 Seater (896L x 534W) 2 shelves 234W/300W, 115H/71H | \$399.00 |
| RV-SLBC-EVEREST-DBL | Double Slimline Battery Cradle for Ford Next Gen Everest (958L x 543W) Max battery size 950L x 540W x 75H | \$399.00 |

DRAWER SYSTEM ACCESSORIES cont.

| CODE | DESCRIPTION | RRP |
|---|---|----------|
| INFILL PANEL - EAC-1 (full length) | | |
| RV-EAC-IFP 800/900 | Infill Panel 800/900mm - Carpeted finish. Covers fridge slide cavity to create a flat solid top effect. | \$164.00 |
| RV-EAC-IFP 1000 | Infill Panel 1000mm - Carpeted finish. Covers fridge slide cavity to create a flat solid top effect. | \$176.00 |
| RV-EAC-IFP 1300 | Infill Panel 1300mm - Carpeted finish. Covers fridge slide cavity to create a flat solid top effect. | \$224.00 |
| RV-EAC-IFP 1400/1450/1500 | Infill Panel 1400/1450/1500mm - Carpeted finish. Covers fridge slide cavity to create a flat solid top effect. | \$224.00 |
| RV-EAC-IFP 1600/1700/1800 | Infill Panel 1600/1700/1800mm - Carpeted finish. Covers fridge slide cavity to create a flat solid top effect. | \$272.00 |

DRAWER LID - PREMIUM DRAWERS

NOTE: For lids listed below the lip folds OUT of the drawer. Please check when ordering which drawers and width you have.

| | | |
|---------------|--|----------|
| RV-DL-0945-01 | Drawer Lid - Fits drawer size: 900L x 450W. Lid Size: 535L x 345W | \$130.00 |
| RV-DL-0948-01 | Drawer Lid - Fits drawer size: 900L x 485W. Lid Size: 535L x 430W | \$130.00 |
| RV-DL-1045-01 | Drawer Lid - Fits drawer size: 1000L x 450W. Lid Size: 630L x 395W | \$137.00 |
| RV-DL-1048-01 | Drawer Lid - Fits drawer size: 1000L x 485W. Lid Size: 630L x 430W | \$137.00 |
| RV-DL-1051-01 | Drawer Lid - Fits drawer size: 1000L x 510W. Lid Size: 630L x 455W | \$137.00 |
| RV-DL-1348-01 | Drawer Lid - n/a use 1000 drawer lid | |
| RV-DL-1351-01 | Drawer Lid - n/a use 1000 drawer lid | |
| RV-DL-1357-01 | Drawer Lid - n/a use 1000 drawer lid | |
| RV-DL-1445-01 | Drawer Lid - Fits drawer size 1400L x 450W. Lid Size: 980L x 395W | \$154.00 |
| RV-DL-1451-01 | Drawer Lid - Fits drawer size 1400L x 510W. Lid Size: 980L x 455W | \$154.00 |
| RV-DL-1457-01 | Drawer Lid - Fits drawer size 1400L x 570W. Lid Size: 980L x 515W | \$154.00 |
| RV-DL-1551-01 | Drawer Lid - n/a use 1400 drawer lid | |
| RV-DL-1557-01 | Drawer Lid - n/a use 1400 drawer lid | |

DRAWER LID - ECOLITE DRAWERS

NOTE: Lids listed below suit EcoLite drawers (lip of drawer folds INTO the drawer). Please check when ordering which drawers and width you have.

| | | |
|---------------------|---|----------|
| RV-EL-DL-0948/51-01 | Drawer Lid - Fits drawer size: 900L x 485W / 510mm. Lid Size: 535L (specify width) | \$106.00 |
| RV-EL-DL-1048/51-01 | Drawer Lid - Fits drawer size: 1000L x 485W / 510mm. Lid Size: 630L (specify width) | \$117.00 |
| RV-EL-DL-1448/51-01 | Drawer Lid - Fits drawer size: 1400L x 485W / 510mm. Lid Size: 980L (specify width) | \$129.00 |

DRAWER LID - SLIMLINE DRAWERS

| | | |
|------------------|--|---------|
| RV-SL-DL-0948-00 | Drawer Lid - Fits 900L x 485W Slimline Drawer. O/A: 382L x 429W x 12H NOTE: Can fit 2 per drawer | \$77.00 |
| RV-SL-DL-0957-00 | Drawer Lid - Fits 900L x 570W Slimline Drawer. O/A: 382L x 514W x 12H NOTE: Can fit 2 per drawer | \$77.00 |
| RV-SL-DL-1051-00 | Drawer Lid - Fits 1000L x 510W Slimline Drawer. O/A: 432L x 454W x 12H NOTE: Can fit 2 per drawer | \$77.00 |
| RV-SL-DL-1057-00 | Drawer Lid - Fits 1000L x 570W Slimline Drawer. O/A: 432L x 514W x 12H NOTE: Can fit 2 per drawer | \$77.00 |

DRAWER - BACK INFILL PANEL - (supply only)

| | | |
|--------|--|----------|
| RV-BIP | Back Infill Panel - Vehicle Specific (fits between drawer system and ute cab or cargo barrier) | \$153.00 |
|--------|--|----------|

FORWARD TWIN FLOOR

| | | |
|-------------------------------|--|----------|
| RV-FTF (Vehicle Specific) | Forward Twin Floor - Toyota 76, 150 Prado, 100, 200, 300 Series, Nissan GU and Y62 Patrol (Approx 45kgs) | \$886.00 |
| RV-HCB-FWD (Vehicle Specific) | Forward Half Cargo Barrier | \$685.00 |

TRAVEL SLIDE DRAWER - Mount to any flat surface

| | | |
|-------------|--|------------|
| PA-TSD-0948 | Travel Slide Drawer + Drawer Lid - O/A 900L x 485W x 125H - I/D 810L x 345W x 65H (Max fridge size 780L x 470W) | \$1,363.00 |
| PA-TSD-0951 | Travel Slide Drawer + Drawer Lid - O/A 900L x 510W x 125H - I/D 810L x 370W x 65H (Max fridge size 780L x 495W) | \$1,363.00 |
| PA-TSD-0957 | Travel Slide Drawer + Drawer Lid - O/A 900L x 570W x 125H - I/D 810L x 430W x 65H (Max fridge size 780L x 555W) | \$1,458.00 |
| PA-TSD-1048 | Travel Slide Drawer + Drawer Lid - O/A 1000L x 485W x 125H - I/D 810L x 345W x 65H (Max fridge size 860L x 470W) | \$1,363.00 |
| PA-TSD-1051 | Travel Slide Drawer + Drawer Lid - O/A 1000L x 510W x 125H - I/D 810L x 370W x 65H (Max fridge size 860L x 495W) | \$1,363.00 |
| PA-TSD-1057 | Travel Slide Drawer + Drawer Lid - O/A 1000L x 570W x 125H - I/D 810L x 430W x 65H (Max fridge size 860L x 555W) | \$1,481.00 |
| PA-TSD-1451 | Travel Slide Drawer + Drawer Lid - O/A 1400L x 510W x 125H - I/D 810L x 370W x 65H (Max fridge width 495W) | \$1,722.00 |
| PA-TSD-1457 | Travel Slide Drawer + Drawer Lid - O/A 1400L x 570W x 125H - I/D 810L x 430W x 65H (Max fridge width 555W) | \$1,722.00 |
| PA-TSD-4551 | Travel Slide Drawer + Drawer Lid - O/A 1450L x 510W x 125H - I/D 810L x 430W x 65H (Max fridge width 495W) | \$1,722.00 |
| PA-TSD-4557 | Travel Slide Drawer + Drawer Lid - O/A 1450L x 570W x 125H - I/D 810L x 430W x 65H (Max fridge width 555W) | \$1,722.00 |
| PA-TSD-1551 | Travel Slide Drawer + Drawer Lid - O/A 1500L x 510W x 125H - I/D 810L x 430W x 65H (Max fridge width 495W) | \$1,722.00 |
| PA-TSD-1557 | Travel Slide Drawer + Drawer Lid - O/A 1500L x 570W x 125H - I/D 810L x 430W x 65H (Max fridge width 555W) | \$1,722.00 |

NOTES: Travel Slide Slimline Drawer is 900L for all sizes. Weight load rating 100KG, Runner load rating 227KG. Unit weight is approx 30KG for 900L & 1000L units.
For 1400L Travel Slide Drawer the fridge slide will extend 1300L and the slimline will extend 800L. Unit weight is approx 45KG for 1400L, 1450L & 1500L units.

CARAVAN ACCESSORIES

CARAVAN BOOT DRAWERS (Alloy option +\$150)

| | | |
|-------------|--|------------|
| RV-CBD-1000 | Caravan Boot Drawer - 1000L x 570W x 315H external | \$1,418.00 |
| RV-CBD-1300 | Caravan Boot Drawer - 1300L x 570W x 315H external | \$1,478.00 |
| RV-CBD-1500 | Caravan Boot Drawer - 1500L x 570W x 315H external | \$1,536.00 |

CARAVAN BOOT DRAWER LIDS

| | | |
|----------------|---|----------|
| RV-CBD-DL-1000 | Caravan Boot Drawer Lid - 1000mm drawer | \$117.00 |
| RV-CBD-DL-1300 | Caravan Boot Drawer Lid - 1300mm drawer | \$129.00 |
| RV-CBD-DL-1500 | Caravan Boot Drawer Lid - 1500mm drawer | \$153.00 |

GENERAL ACCESSORIES

| CODE | DESCRIPTION | RRP |
|------------------|--|----------|
| RV-WBB | Wheel Bin Bags - Each | \$106.00 |
| RV-FS/STRAPS | Fridge Tie Down Straps - Set of 4 | \$53.00 |
| RV-CH/RES | Child Restraint - Each (Supply only) | \$30.00 |
| RV-CH/RES | Child Restraint -Each - Fitted during drawer manufacturer | \$35.00 |
| RV-TR/STRAP | 3-Way Tyre Restraint Strap - Each | \$53.00 |
| RV-SS/TDOWN | Tie Down Stainless Steel, sprung loaded, flush fitting - (Includes T-nuts & s/s screws) Each Supply only | \$18.00 |
| RV-SS/TDOWN | Tie Down (Stainless Steel, sprung loaded, flush fitting) - Each fitted during manufacture | \$30.00 |
| RV-DE/TABLE+BAG | Drawer Extension Table & Bag - 890L x 470W (Storage bag, mounting clips and rivets included) | \$399.00 |
| RV-DE/CLIP | Drawer Extension Table Clips (Mounting clips including rivets) - Pair | \$30.00 |
| RV-DE/BRACKET | Drawer Extension Table Bracket (NEW VERSION) | \$138.00 |
| RV-D/TIDY | Drawer Tidy - Drop-in aluminium tray (Size: 330L x 50H - Width 970 / 1020) Please specify your drawer width when ordering. | \$77.00 |
| RV-FS/BRACKET | Fridge Slide Bracket - Pair. (Adjustable brackets for extra tie down points on FS-3 & FS-3.5 slides) Includes mounting hardware | \$47.00 |
| RV-S/LATCH | Slam Latch Replacement - (RVSS etched drawer slam latch) - Each | \$77.00 |
| RV-IBFSLOCK | Inbuilt Fridge Slide Lock Replacement | \$39.00 |
| RV-CARPET | Marine Grade Carpet - per metre (2040mm wide roll) | \$30.00 |
| RV-STOP | Drawer Stop Latch Replacement (brass finish) - Each | \$15.00 |
| RV-RUBBER | Rubber Matting (smooth) - per metre (supply only - can supply ribbed) | \$178.00 |
| RV-BEARING | Bearing Replacement (double row drawer bearing) - Each. (OR \$60 for a tube of 16) | \$6.00 |
| RV-EBRACKETS | Engel Fridge Handle Replacement | \$30.00 |
| RV-100S-TG-00 | Tail Gate Table 100 Series (supply only - includes fitting kit and nutserts). <i>Requires some drilling.</i> | \$295.00 |
| RV-200S-TG-00 | Tail Gate Table 200 Series (supply only - includes fitting kit and nutserts). <i>Requires some drilling.</i> | \$295.00 |
| RV-PX-TG-00 | Tail Gate Table PX Ranger (supply only - includes fitting kit and nutserts). <i>Requires some drilling.</i> | \$295.00 |
| RV-NEXTGEN-TG-00 | Tail Gate Table Next Gen Ranger (supply only - includes fitting kit and nutserts). <i>Requires some drilling.</i> | \$295.00 |
| RV-BT50-TG-00 | Tail Gate Table BT-50 (supply only - includes fitting kit and nutserts). <i>Requires some drilling.</i> | \$295.00 |
| RV-RG-TG-00 | Tail Gate Table Colorado RG (supply only - includes fitting kit and nutserts). <i>Requires some drilling.</i> | \$295.00 |
| RV-DMAX-TG-00 | Tail Gate Table D-Max (supply only - includes fitting kit and nutserts). <i>Requires some drilling.</i> | \$295.00 |

COMMERCIAL - RACKING

VAN RACKING - (supply only)

| | | |
|--------------|---|----------|
| EL-RA1612-00 | Van Racking Kit - Flat Pack Size: 1060W x 1200H x 410L Kit has 4 shelves. | \$649.00 |
| EL-DR1220-01 | Van Racking Door Kit. Size: 1020W x 200H, incl. 2x Hinges, 2x Locks Each. | \$295.00 |

UTE RACKING - (supply only)

| | | |
|--------------|---|----------|
| EL-RA1663-00 | Ute Racking Kit - Flat pack. Size: 1060W x 630H x 310L Kit has 3 shelves. | \$532.00 |
|--------------|---|----------|

WING KITS

| CODE - Premium | DESCRIPTION | PA/PS Prem Single Wing Kit RRP | PA/PS Prem Twin Wing Kit RRP | CODE - EcoLite | EcoLite Single Wing Kit RRP | EcoLite Twin Wing Kit RRP |
|-----------------------|--|--------------------------------|------------------------------|----------------|-----------------------------|---------------------------|
| PA/PS RV-800-TWS/TWH | 800mm Wing Kit Standard Height / Trade Height | \$215.00 | \$429.00 | EL-800-SW/TW | \$198.00 | \$396.00 |
| PA/PS RV-900-TWS/TWH | 900mm Wing Kit Standard Height / Trade Height | \$220.00 | \$440.00 | EL-900-SW/TW | \$201.00 | \$402.00 |
| PA/PS RV-1000-TWS/TWH | 1000mm Wing Kit Standard Height / Trade Height | \$226.00 | \$451.00 | EL-1000-SW/TW | \$204.00 | \$407.00 |
| PA/PS RV-1100-TWS/TWH | 1100mm Wing Kit Standard Height / Trade Height | \$231.00 | \$462.00 | EL-1100-SW/TW | \$204.00 | \$407.00 |
| PA/PS RV-1200-TWS/TWH | 1200mm Wing Kit Standard Height / Trade Height | \$237.00 | \$473.00 | EL-1200-SW/TW | \$207.00 | \$413.00 |
| PA/PS RV-1300-TWS/TWH | 1300mm Wing Kit Standard Height / Trade Height | \$242.00 | \$484.00 | EL-1300-SW/TW | \$207.00 | \$413.00 |
| PA/PS RV-1400-TWS/TWH | 1400mm Wing Kit Standard Height / Trade Height | \$248.00 | \$495.00 | EL-1400-SW/TW | \$209.00 | \$418.00 |
| PA/PS RV-1450-TWS/TWH | 1450mm Wing Kit Standard Height / Trade Height | \$253.00 | \$506.00 | EL-1450-SW/TW | \$209.00 | \$418.00 |
| PA/PS RV-1500-TWS/TWH | 1500mm Wing Kit Standard Height / Trade Height | \$259.00 | \$517.00 | EL-1500-SW/TW | \$212.00 | \$424.00 |
| PA/PS RV-1600-TWS/TWH | 1600mm Wing Kit Standard Height / Trade Height | \$264.00 | \$528.00 | EL-1600-SW/TW | \$215.00 | \$429.00 |
| PA/PS RV-1700-TWS/TWH | 1700mm Wing Kit Standard Height / Trade Height | \$275.00 | \$550.00 | EL-1700-SW/TW | \$215.00 | \$435.00 |
| PA/PS RV-1800-TWS/TWH | 1800mm Wing Kit Standard Height / Trade Height | \$286.00 | \$572.00 | EL-1800-SW/TW | \$220.00 | \$440.00 |

NOTE: Add +\$150.00 - For a Subframe in necessary vehicles when converting RV drawers from one vehicle to another.

FRIDGE SIZE GUIDE

FRIDGE SPECS

The list below is not comprehensive, covering only the popular sizes and brands available.

IMPORTANT: This guide was compiled from the manufacturers specifications. Please check with the manufacturer for current specifications prior to making any fridge purchase based on this guide.

DISCLAIMER - RV Storage Solutions is in no way responsible for a fridge not fitting or incorrectly calculated in any vehicle and in or on any storage system.

| Engel | | TSCCombo | SLIDE | Travel Slide Drawer |
|---------------------|---|----------|---------|---------------------|
| ENGEL 40 | 648L x 364W x 508H | TSC-1 | FS-1 | 0948+ |
| ENGEL 60 | 790L x 490W x 441H <i>NOTE: ISP raiser board is required</i> | TSC-2 | FS-2 | 1057+ |
| ENGEL 80 | 790L x 490W x 561H <i>NOTE: ISP raiser board is required</i> | N/A | FS-2 | 1057+ |
| Bushman | | TSCCombo | SLIDE | Travel Slide Drawer |
| 35L | 690L x 385W x 380H | TSC-1 | FS-1 | 0948+ |
| 35 L- 52L | 690L x 385W x 380*/545H | TSC-1* | FS-1 | 0948+ |
| 3 Way XD70 | 655L x 515W x 685H | N/A | N/A | 0957+ |
| 85L DC85-X | 550L x 475W x 625H | N/A | N/A | 0951+ |
| 130L DC130-X | 550L x 525W x 750H | N/A | N/A | 0957+ |
| Waeco/Dometic | | TSCCombo | SLIDE | Travel Slide Drawer |
| CF 35 | 630L x 360W x 385H | TSC-1 | FS-1 | 0948+ |
| CF 40 | 630L x 360W x 445H | TSC-1 | FS-1 | 0948+ |
| CF 50 | 630L x 360W x 480H | TSC-1 | FS-1 | 0948+ |
| CF 60 | 650L x 360W x 580H | N/A | FS-1 | 0948+ |
| CF 80 | 800L x 500W x 455H | TSC-2 | FS-2 | 1057+ |
| CF 110 | 800L x 500W x 555H | N/A | FS-2 | 1057+ |
| CFX-35 | 640L x 398W x 411H | TSC-1 | FS-1 | 0948+ |
| CFX-40 | 640L x 398W x 461H | TSC-1 | FS-1 | 0948+ |
| CFX-50 | 670L x 455W x 471H | TSC-1.5 | FS-1.5 | 0948+ |
| CFX-65 65DZ | 670L x 455W x 561H | N/A | FS-1.5 | 0948+ |
| CFX-75DZW | 830L x 495W x 472H <i>*NOT 200 Landcruiser twin drawers</i> | TSC-2.25 | FS-2.25 | 1051+ |
| CFX-95DZ2 | 900L x 530W x 472H <i>NOTE: ISP raiser board is required</i> | N/A | FS-2.25 | 1457+ |
| CFX3-35 | 694L x 398W x 398H | TSC-1 | FS-1.5 | 0948+ |
| CFX3-45 | 694L x 398W x 476H | TSC-1 | FS-1.5 | 0948+ |
| CFX3-55 | 720L x 455W x 480H | TSC-2 | FS-2 | 0948+ |
| CFX3-75DZ | 892L x 495W x 472H | TSC-2.25 | FS-2.25 | 1451+ |
| ARB - Classic Range | | TSCCombo | SLIDE | Travel Slide Drawer |
| 35 litre | 705L x 380W x 428H | TSC-2 | FS-1 | 0948+ |
| 47 litre | 705L x 380W x 508H | TSC-2 | FS-1 | 0948+ |
| 60 litre | 845L x 450W x 428H <i>incl.handles</i> | TSC-2.25 | FS-2.25 | 1048+ |
| 78 litre | 845L x 450W x 508H <i>incl.handles</i> | TSC-2.25 | FS-2.25 | 1048+ |
| Elements 60 litre | 820L x 490W x 440H | TSC-2.25 | FS-2.25 | 1051+ |
| National Luna | | TSCCombo | SLIDE | Travel Slide Drawer |
| 40 litre | 635L x 420W x 515H | TSC-1 | FS-1 | 0948+ |
| 50 litre Twin | 710L x 385W x 506H | N/A | FS-2 | 0948+ |
| 52 litre | 710L x 385W x 506H | N/A | FS-2 | 0948+ |
| 55 litre | 750L x 425W x 535H | N/A | FS-2 | 0948+ |
| 60 litre Twin | 750L x 425W x 535H | N/A | FS-2 | 0948+ |
| 72 litre Twin | 835L x 495W x 535H | N/A | FS-2.25 | 1051+ |
| 80 litre | 835L x 495W x 535H | N/A | FS-2.25 | 1051+ |

| TrailBlaza - Standard Range | | TSCCombo | SLIDE | Travel Slide Drawer |
|-----------------------------|--|----------|---------|---------------------|
| 50 litre | 875L x 475W x 470H | TSC-2.25 | FS-2.25 | 1451+ |
| 60 litre | 875L x 475W x 530H | N/A | FS-2.25 | 1451+ |
| 70 litre | 875L x 475W x 600H | N/A | FS-2.25 | 1451+ |
| 80 litre | 875L x 475W x 655H | N/A | FS-2.25 | 1451+ |
| Primus Mammoth | | TSCCombo | SLIDE | Travel Slide Drawer |
| 45 litre | 660L x 374W x 447H | TSC-1 | FS-1 | 0948+ |
| 65 litre | 790L x 470W x 500H | TSC-2 | FS-2 | 1048+ |
| 74 litre | 790L x 465W x 495H | TSC-2 | FS-2 | 1048+ |
| EvaKool - Travel Mate | | TSCCombo | SLIDE | Travel Slide Drawer |
| TMX35 | 680L x 410W x 441H | TSC-1 | FS-1 | 0948+ |
| TMX45 | 680L x 410W x 491H | TSC-1 | FS-1 | 0948+ |
| TMX50 | 680L x 410W x 521H | TSC-1 | FS-1 | 0948+ |
| TMX55 (50L) | 710L x 455W x 498H | TSC-1.5 | FS-1.5 | 0948+ |
| TMX65 | 710L x 455W x 558H | N/A | FS-1.5 | 0948+ |
| TMX75 | 710L x 455W x 648H | N/A | FS-1.5 | 0948+ |
| EvaKool - RF Range | | TSCCombo | SLIDE | Travel Slide Drawer |
| RF-40 litre | 725L x 360W x 415H | TSC-1 | FS-1 | 0948+ |
| RF-45 litre | 720L x 380W x 505H | TSC-1 | FS-1 | 0948+ |
| RF-47 litre | 725L x 445W x 430H | TSC-1.5 | FS-1.5 | 0948+ |
| RF-60 litre | 860L x 445W x 430H | TSC-2.25 | FS-2.25 | 1048+ |
| RF-110 litre | 1000L x 515W x 475H <i>NOTE: ISP raiser board is required</i> | N/A | FS-2.5 | 1457+ |
| EvaKool - RF Range | | TSCCombo | SLIDE | Travel Slide Drawer |
| ED-45 | 720L x 380W x 505H | TSC-1 | FS-1 | 0948+ |
| ED-85 | 800L x 515W x 465H | N/A | FS-2 | 1057+ |
| EvaKool - Glacier Range | | TSCCombo | SLIDE | Travel Slide Drawer |
| Glacier 45 | 620L x 430W x 493H | TSC-1.5 | FS-1.5 | 0948+ |
| Glacier 55 | 620L x 430W x 554H | N/A | FS-1.5 | 0948+ |
| Glacier 61 Low Profile | 805L x 475W x 430H | TSC-2.25 | FS-2 | 0951+ |
| Glacier 65 | 620L x 430W x 634H | N/A | FS-1.5 | 0948+ |
| Glacier 80 | 805L x 475W x 514H | TSC-2.25 | FS-2 | 1051+ |
| Glacier 74 Dual Lid | 805L x 475W x 514H | TSC-2.25 | FS-2 | 1051+ |
| Glacier 89 Dual Lid | 805L x 475W x 579H | N/A | FS-2 | 1051+ |
| MyCoolMan | | TSCCombo | SLIDE | Travel Slide Drawer |
| CCP30 | 610L x 340W x 424H | TSC-1 | FS-1 | 0948+ |
| CCP36 | 652L x 412W x 428H | TSC-1.5 | FS-1.5 | 0948+ |
| CCP44 | 652L x 412W x 488H | TSC-1.5 | FS-1.5 | 0948+ |
| CCP60 | 732L x 456W x 488H | TSC-2 | FS-2 | 0948+ |
| CCP73 | 732L x 456W x 555H | N/A | FS-2 | 0948+ |
| CCP69DZ | 732L x 456W x 555H | N/A | FS-2 | 0948+ |

PLEASE NOTE:

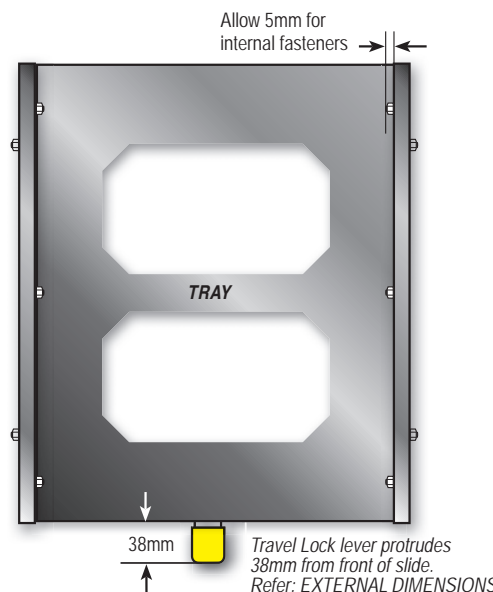
Although the fridge size may indicate that they will fit on a particular RV Storage Solutions fridge slide, allowance must be made for a cargo barrier, top shelf, the incline of the seat and rear doors.
If the fridge is to go on top of a twin drawer system the height of the drawer system must be taken into account.

FRIDGE SLIDE PRICING / SPECS

SLIDES

| | PREMIUM STEEL | PREMIUM ALLOY |
|--|----------------|---------------|
| PA/PS -RV-FS-1 | RRP \$472.00 | RRP \$522.00 |
| APPROX. WEIGHT | 16kg | 12.5kg |
| SIZE: O/A – 750L x 455W x 80H (incl locking lever & side nuts) INT – 709L x 395W x 50H (tray size) | | |
| PS-RV-FS-1-SO | RRP \$472.00 | N/A |
| APPROX. WEIGHT | 12.5kg | - |
| SIZE: O/A – 450L x 770W x 110H (incl locking lever & side nuts) INT – 401L x 706W x 50H (tray size) | | |
| PA/PS-RV-FS-1.5 | RRP \$520.00 | RRP \$570.00 |
| APPROX. WEIGHT | 17kg | 13kg |
| SIZE: O/A – 750L x 530W x 80H (incl locking lever & side nuts) INT – 706L x 470W x 50H (tray size) | | |
| PA/PS-RV-FS-2 | RRP \$567.00 | RRP \$617.00 |
| APPROX. WEIGHT | 20.5kg | 15kg |
| SIZE: O/A – 850L x 560W x 80H (incl locking lever & side nuts) INT – 807L x 500W x 50H (tray size) | | |
| PS-RV-FS-2-SO | RRP \$567.00 | N/A |
| APPROX. WEIGHT | 16.2kg | - |
| SIZE: O/A – 550L x 870W x 110H (incl locking lever & side nuts) INT – 504L x 808W x 50H (tray size) | | |
| PA/PS-RV-FS-2.25 | RRP \$590.00 | RRP \$640.00 |
| APPROX. WEIGHT | 22.5kg | 16.5kg |
| SIZE: O/A – 950L x 560W x 80H (incl locking lever & side nuts) INT – 907L x 500W x 50H (tray size) NOTE: FS-2.25 SLIDE WILL NOT ACCOMMODATE A TRANSIT BAG. | | |
| PA/PS-RV-FS-2.5 | RRP \$685.00 | RRP \$735.00 |
| APPROX. WEIGHT | 24kg | 17.5kg |
| SIZE: O/A – 1050L x 560W x 80H (incl locking lever & side nuts) INT – 1009L x 500W x 50H (tray size) NOTE: FS-2.5 SLIDE WILL NOT ACCOMMODATE A TRANSIT BAG. | | |
| PS/PA-RV-FS-3 | RRP \$886.00 | RRP \$961.00 |
| APPROX. WEIGHT | 30.5kg | 23kg |
| SIZE: O/A – 1410L x 455W x 80H (incl locking lever & side nuts) INT – 1367L x 395W x 50H (tray size) NOTE: FS-3 SLIDE WILL NOT ACCOMMODATE A TRANSIT BAG. | | |
| PS/PA-RV-FS-3.5 | RRP \$886.00 | RRP \$961.00 |
| APPROX. WEIGHT | 33.5kg | 26kg |
| SIZE: O/A – 1410L x 560W x 80H (incl locking lever & side nuts) INT – 1367L x 500W x 50H (tray size) NOTE: FS-3.5 SLIDE WILL NOT ACCOMMODATE A TRANSIT BAG. | | |
| TILT SLIDE COMBOS (MAX DROP IS 273MM) | | |
| RV-TSC-1 Tilt Slide Combo | RRP \$885.00 | |
| SIZE: O/A – 790L x 510W x 604.5H (incl locking lever) INT – 704L x 397W x 520H APPROX. WEIGHT: 25kg | | |
| RV-TSC-1.5 Tilt Slide Combo-1.5 | RRP \$945.00 | |
| SIZE: O/A – 790L x 583W x 604.5H (incl locking lever) INT – 704L x 470W x 520H APPROX. WEIGHT: 27kg | | |
| RV-TSC-2 Tilt Slide Combo-2 | RRP \$1,005.00 | |
| SIZE: O/A – 890L x 618W x 604.5H (incl locking lever) INT – 804L x 505W x 520H APPROX. WEIGHT: 29kg. Will fit in a 200 series without the Cargo Barrier | | |
| RV-TSC-2.25 Tilt Slide Combo-2.25 | RRP \$1,063.00 | |
| SIZE: O/A – 990L x 618W x 604.5H (incl locking lever) INT – 904L x 505W x 520H APPROX. WEIGHT: 33.5kg | | |

PREMIUM HEAVY DUTY FREE STANDING SLIDES



WEIGHT RATINGS (HEAVY DUTY SLIDES)

Whilst the manufacturers of these runners rate them at 250kg per pair, RV recommend an evenly distributed weight of 100kg on our HD slide units.

ECOLITE ALL PURPOSE FREE STANDING SLIDES



| | |
|---|--------------|
| EL-AP-1 | RRP \$325.00 |
| SIZE: 730L x 340W x 80H (EXTERNAL incl locking lever & side nuts) 696L x 284W x 48H (INTERNAL tray size) | |
| APPROX. WEIGHT: 11kg | |
| EL-AP-2 | RRP \$301.00 |
| SIZE: 530L x 342W x 80H (EXTERNAL incl locking lever & side nuts) 497L x 284W x 48H (INTERNAL tray size) | |
| APPROX. WEIGHT: 6.5kg | |

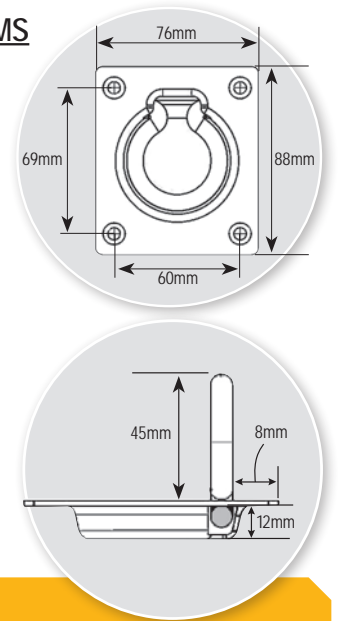
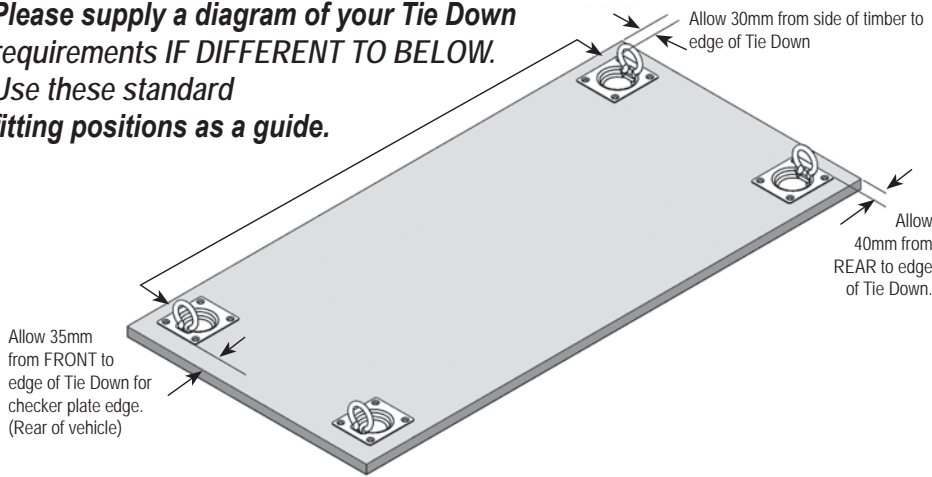
WEIGHT RATINGS (ALL PURPOSE SLIDES)

Whilst the manufacturers of these runners rate them at 125kg per pair, RV recommend an evenly distributed weight of 50kg on our AP slide units.

NOTE: SLIDE WARRANTY IS VOID IF FRIDGES, GENERATORS, BBQS OR BATTERIES ARE NOT SECURELY FASTENED TO THE SLIDE TRAY USING THE CORRECT TIE DOWN STRAPS.

TIE DOWN POINTS – SINGLE AND TWIN DRAWER SYSTEMS

Please supply a diagram of your Tie Down requirements IF DIFFERENT TO BELOW. Use these standard fitting positions as a guide.

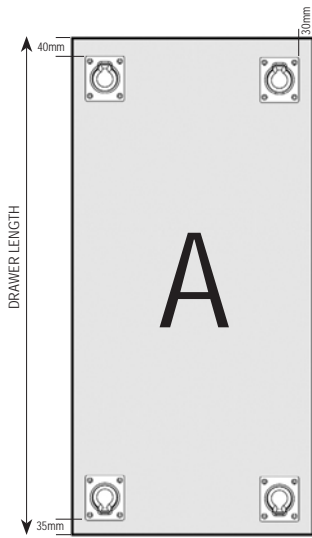


EXTRA TIE DOWNS:

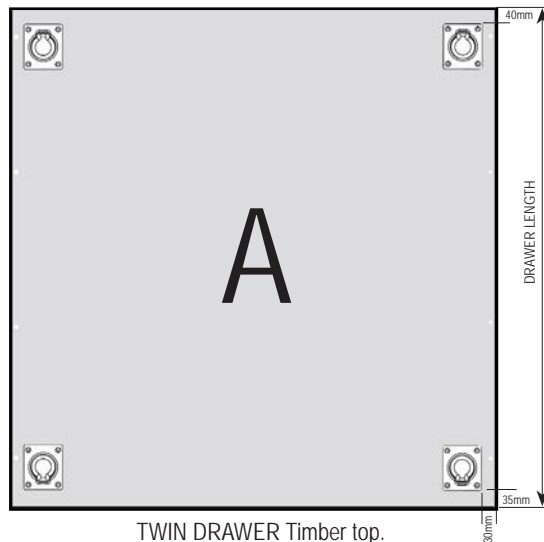
- RRP \$18.00 supply only • RRP \$30.00 fitted

NOTE: TIE DOWN POINTS WILL COME INSTALLED IN THE STANDARD POSITIONS SHOWN BELOW UNLESS OTHERWISE SPECIFIED. A \$50 FEE APPLIES TO CUSTOM POSITIONING

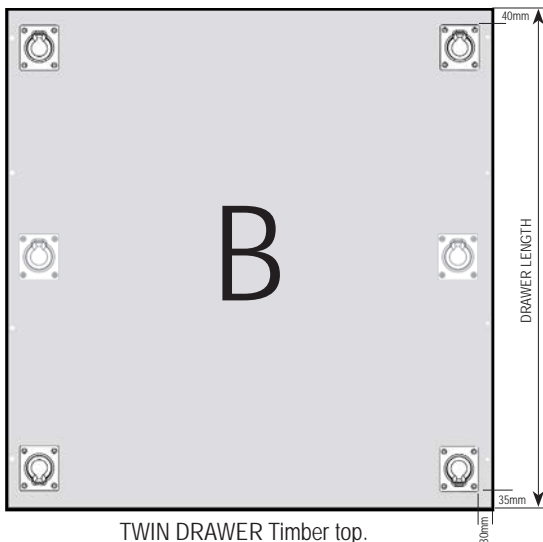
BELOW: Examples of STANDARD Tie Down positions. Please choose option A, B or C when ordering.



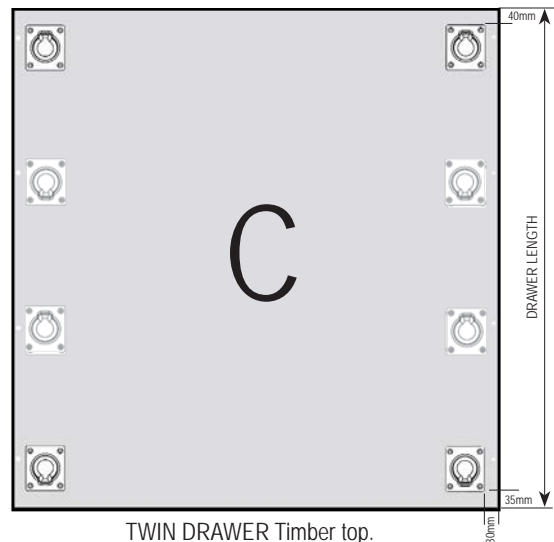
SINGLE DRAWER timber top.
4 TIE DOWNS.



TWIN DRAWER Timber top.
4 TIE DOWNS



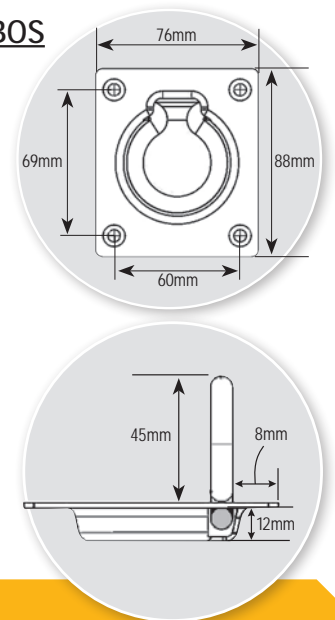
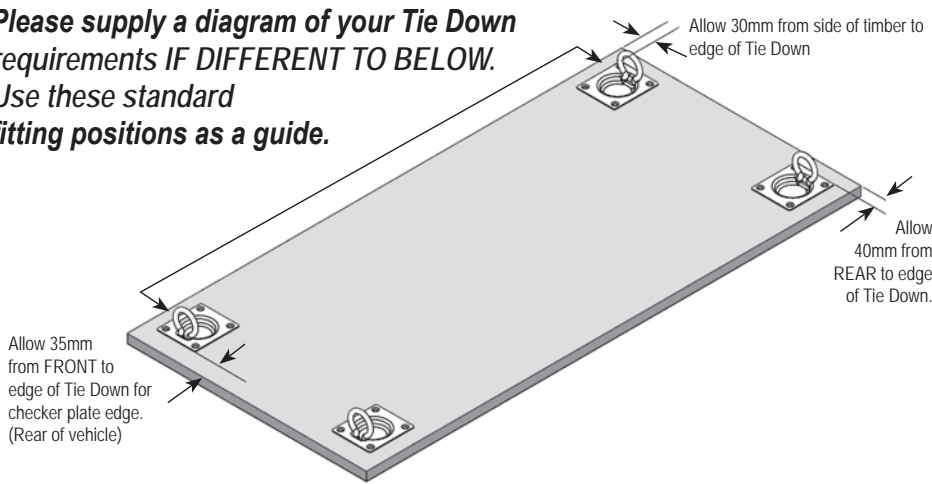
TWIN DRAWER Timber top.
6 TIE DOWNS



TWIN DRAWER Timber top.
8 TIE DOWNS

TIE DOWN POINTS & HATCHES – FRIDGE DRAWER COMBOS

Please supply a diagram of your Tie Down requirements IF DIFFERENT TO BELOW. Use these standard fitting positions as a guide.



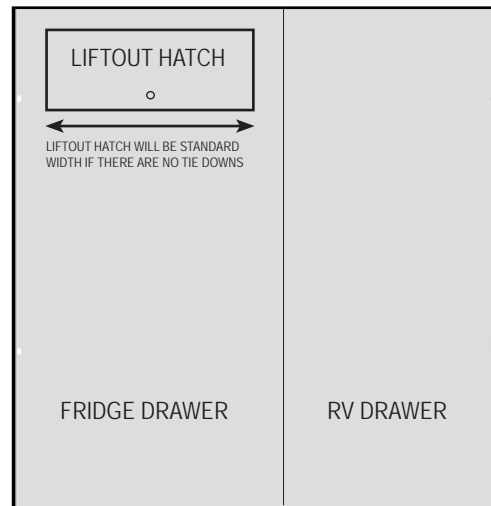
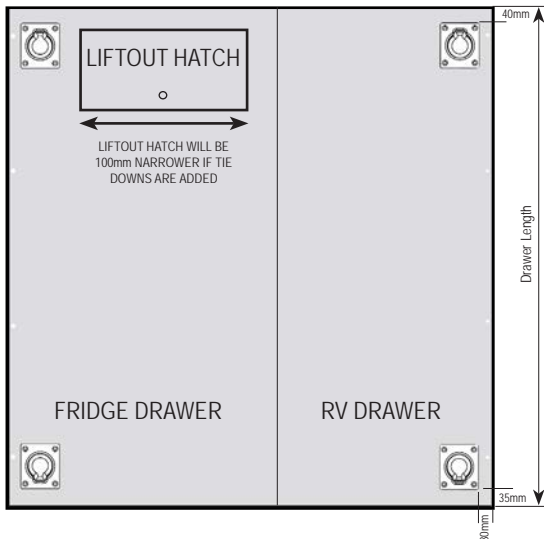
EXTRA TIE DOWNS:

- RRP \$18.00 supply only • RRP \$30.00 fitted

NOTE: TIE DOWN POINTS WILL COME INSTALLED IN THE STANDARD POSITIONS SHOWN BELOW UNLESS OTHERWISE SPECIFIED. A \$50 FEE APPLIES TO CUSTOM POSITIONING

BELOW: Examples of STANDARD Tie Down positions. Use these as a guide to assist with your "Specification Plan" when ordering.

BELOW: NO Tie Downs - Liftout hatch behind fridge drawer will be the full width specified.



FRIDGE DRAWER COMBO TIMBER TOP WITH TIE DOWNS

FRIDGE DRAWER COMBO TIMBER TOP WITHOUT TIE DOWNS

WARRANTY

Warranty Terms & Conditions

LIFETIME WARRANTY

RV Storage Solutions are the industry leader in vehicle storage. We listen to our customers needs, use and test the products ourselves and are innovative designers. We are so confident that an RV storage system will do the job for you, we give you a life time warranty on our PREMIUM range for recreational use, 3 years warranty on our EcoLite range for recreational usage and 1 year warranty on Commercial usage, when fitted by an authorised RV dealer.

Our customer service will impress you and our quality distributors are not chosen because they can, but because they want to sell our products.

The next time you consider vehicle storage solutions, give us a call. We won't let you down.

Mark and Karen Oliver
Managing Directors
RV Storage Solutions P/L

[TO DOWNLOAD OUR FULL WARRANTY & CONDITIONS DOCUMENT PLEASE CLICK THIS LINK.](#)

BATTERY CRADLE SIZE GUIDE BATTERY CRADLE SPECS

The list below is not comprehensive, covering only the sizes and brands we have checked.

IMPORTANT: This guide was compiled from the manufacturers specifications. Please check with the manufacturer for current specifications prior to making any battery cradle purchase based on this guide.

DISCLAIMER – RV Storage Solutions is in no way responsible for a battery not fitting or incorrectly calculated for any vehicle supporting an RV Battery Cradle.

| Revolution Power | | Y62 Patrol | 150 Prado | 250 Prado | 300 Series GX/GR | 300 Series GXL | 300 Series GXL Sgl Drawer | Everest | Everest Next Gen | MUX (2021+) |
|----------------------|-------------------------------------|---------------------------------------|---------------------------------------|---------------------------------------|-------------------------------------|----------------------|---------------------------|---------------------------------------|--|-----------------------------------|
| RPL12-100LDSlim | 500L x 260W x 72H | RV-SLBC-Y62 | Not tested | RV-SLBC-250 | RV-SLBC-300-5 | RV-SLBC-300-7 | RV-SLBC-300-7-HALF | RV-SLBC-EVEREST | RV-SL-BC-NGEVEREST | RV-SLBC-MUX |
| RPL12-100LDSlim x 2 | 500L x 260W x 72H | N/A | N/A | N/A | N/A | RV-SLBC-300-DBL-306 | N/A | N/A | RV-SLBC-NGEVEREST-DBL | N/A |
| RPL12-60SLIM | 291L x 231W x 106H | N/A | N/A | N/A | N/A | RV-SLBC-300-7 | Not tested | N/A | N/A | RV-SLBC-MUX |
| TJM by Revolution | | Y62 Patrol | 150 Prado | 250 Prado | 300 Series GX/GR | 300 Series GXL | 300 Series GXL Sgl Drawer | Everest | Everest Next Gen | MUX (2021+) |
| RPL12-100TJMSLIM | 500L x 260W x 74H | RV-SLBC-Y62 | Not tested | RV-SLBC-250 | RV-SLBC-300-5 | RV-SLBC-300-7 | RV-SLBC-300-7-HALF | RV-SLBC-EVEREST | RV-SL-BC-NGEVEREST | RV-SLBC-MUX |
| RPL12-100TJMSLIM x 2 | 500L x 260W x 74H | N/A | N/A | N/A | N/A | RV-SLBC-300-DBL-306 | N/A | N/A | RV-SLBC-NGEVEREST-DBL | N/A |
| Invicta | | Y62 Patrol | 150 Prado | 250 Prado | 300 Series GX/GR | 300 Series GXL | 300 Series GXL Sgl Drawer | Everest | Everest Next Gen | MUX (2021+) |
| SNLSS12V100BT | 523L x 336W x 57.4H | N/A | N/A | N/A | N/A | RV-SLBC-300-DBL-FLAT | N/A | N/A | RV-SLBC-NGEVEREST-DBL | N/A |
| SNLSS12V200BT | 843L x 336W x 57.4H | N/A | N/A | N/A | N/A | RV-SLBC-300-DBL-FLAT | N/A | N/A | RV-SLBC-NGEVEREST-DBL | N/A |
| iTechworld | | Y62 Patrol | 150 Prado | 250 Prado | 300 Series GX/GR | 300 Series GXL | 300 Series GXL Sgl Drawer | Everest | Everest Next Gen | MUX (2021+) |
| Itech100ss | 487L x 290W x 55H (358W w/brackets) | RV-SLBC-Y62 w/o the original brackets | RV-SLBC-150 w/o the original brackets | RV-SLBC-250 w/o the original brackets | RV-SLBC-300-5 w/o original brackets | RV-SLBC-300-7 | RV-SLBC-300-7-HALF | RV-SLBC-EVEREST w/o original brackets | RV-SL-BC-NGEVEREST w/o original brackets. RV-SLBC-NGEVEREST-DBL w/ original brackets | RV-SLBC-MUX w/o original brackets |
| Custom Lithium | | Y62 Patrol | 150 Prado | 250 Prado | 300 Series GX/GR | 300 Series GXL | 300 Series GXL Sgl Drawer | Everest | Everest Next Gen | MUX (2021+) |
| CL-S-100AH | 390L x 200W x 110H | N/A | N/A | N/A | N/A | RV-SLBC-300-7 | Not tested | N/A | N/A | RV-SLBC-MUX |
| CL-US-100AH | 490L x 300W x 55H | RV-SLBC-Y62 | RV-SLBC-150 | RV-SLBC-250 | RV-SLBC-300-5 | RV-SLBC-300-7 | RV-SLBC-300-7-HALF | RV-SLBC-EVEREST | RV-SL-BC-NGEVEREST | RV-SLBC-MUX |
| CL-US-200AH | 580L x 370W x 60H | N/A | N/A | N/A | N/A | RV-SLBC-300-DBL-FLAT | N/A | N/A | RV-SLBC-NGEVEREST-DBL | N/A |
| CL-US-280AH | 580L x 370W x 82H | N/A | N/A | N/A | N/A | RV-SLBC-300-DBL-FLAT | N/A | N/A | Not tested | N/A |
| CL-US-310AH | 580L x 370W x 82H | N/A | N/A | N/A | N/A | RV-SLBC-300-DBL-FLAT | N/A | N/A | Not tested | N/A |
| CL-US-400AH | 580L x 370W x 110H | N/A | N/A | N/A | N/A | RV-SLBC-300-DBL-FLAT | N/A | N/A | N/A | N/A |
| VoltX | | Y62 Patrol | 150 Prado | 250 Prado | 300 Series GX/GR | 300 Series GXL | 300 Series GXL Sgl Drawer | Everest | Everest Next Gen | MUX (2021+) |
| 12V 100Ah Slim | 395L x 297W x 110H | N/A | N/A | N/A | N/A | RV-SLBC-300-7 | Not tested | N/A | N/A | RV-SLBC-MUX |
| 12V 200Ah Slim Pro | 552L x 290W x 110H | N/A | N/A | N/A | N/A | RV-SLBC-300-7 | N/A | N/A | N/A | RV-SLBC-MUX |
| Hardkorr | | Y62 Patrol | 150 Prado | 250 Prado | 300 Series GX/GR | 300 Series GXL | 300 Series GXL Sgl Drawer | Everest | Everest Next Gen | MUX (2021+) |
| HKPBATLSL105 | 710L x 340W x 50H | N/A | N/A | N/A | N/A | RV-SLBC-300-DBL-FLAT | N/A | N/A | RV-SLBC-NGEVEREST-DBL | N/A |
| HKPBATLSL210 | 710L x 580W x 50H | N/A | N/A | N/A | N/A | N/A | N/A | N/A | N/A | N/A |

All battery cradles are available on page 180. Red text means you can fit 2 of the same battery in the one cradle.

PLEASE NOTE: Although the battery size may indicate that it will fit on a particular RV Storage Solutions Battery Cradle, allowance must be made for fixing the battery to the cradle, such as straps or original brackets.

BATTERY CRADLE SIZE GUIDE BATTERY CRADLE SPECS

The list below is not comprehensive, covering only the sizes and brands we have checked.

IMPORTANT: This guide was compiled from the manufacturers specifications. Please check with the manufacturer for current specifications prior to making any battery cradle purchase based on this guide.

DISCLAIMER – RV Storage Solutions is in no way responsible for a battery not fitting or incorrectly calculated for any vehicle supporting an RV Battery Cradle.

| Baintech | | Y62 Patrol | 150 Prado | 250 Prado | 300 Series GX/GR | 300 Series GXL | 300 Series GXL Sgl Drawer | Everest | Everest Next Gen | MUX (2021+) |
|---------------------------|-------------------------------------|-------------|-------------|-------------|------------------|----------------------|---------------------------|-----------------|-----------------------|-------------|
| BTLP12V110-100SL | 595L x 260W x 50H (650L w/brackets) | RV-SLBC-Y62 | RV-SLBC-150 | RV-SLBC-250 | RV-SLBC-300-5 | RV-SLBC-300-7 | N/A | RV-SLBC-EVEREST | RV-SL-BC-NGEVEREST | RV-SLBC-MUX |
| BTLP12V110-100SL x 2 | 595L x 260W x 50H (650H w/brackets) | N/A | N/A | N/A | N/A | RV-SLBC-300-DBL-STEP | N/A | N/A | RV-SLBC-NGEVEREST-DBL | N/A |
| BTBLUESLIM110-DC40 | 635L x 250W x 50H (685L w/brackets) | RV-SLBC-Y62 | RV-SLBC-150 | RV-SLBC-250 | RV-SLBC-300-5 | RV-SLBC-300-7 | N/A | RV-SLBC-EVEREST | RV-SL-BC-NGEVEREST | RV-SLBC-MUX |
| BTBLUESLIM110-DC40x 2 | 635L x 250W x 50H (685H w/brackets) | N/A | N/A | N/A | N/A | RV-SLBC-300-DBL-STEP | N/A | N/A | RV-SLBC-NGEVEREST-DBL | N/A |
| BTLP12V150-200SL | 520L x 270W x 90H | N/A | N/A | Not tested | N/A | RV-SLBC-300-7 | N/A | Not tested | RV-SL-BC-NGEVEREST | RV-SLBC-MUX |
| Cangoee | | Y62 Patrol | 150 Prado | 250 Prado | 300 Series GX/GR | 300 Series GXL | 300 Series GXL Sgl Drawer | Everest | Everest Next Gen | MUX (2021+) |
| Slimline Short series | 637L x 264W x 50H (670L w/stud) | RV-SLBC-Y62 | RV-SLBC-150 | RV-SLBC-250 | RV-SLBC-300-5 | RV-SLBC-300-7 | N/A | RV-SLBC-EVEREST | RV-SL-BC-NGEVEREST | RV-SLBC-MUX |
| Slimline Short series x 2 | 637L x 264W x 50H (670L w/stud) | N/A | N/A | N/A | N/A | RV-SLBC-300-DBL-STEP | N/A | N/A | RV-SLBC-NGEVEREST-DBL | N/A |
| Enerdrive | | Y62 Patrol | 150 Prado | 250 Prado | 300 Series GX/GR | 300 Series GXL | 300 Series GXL Sgl Drawer | Everest | Everest Next Gen | MUX (2021+) |
| EPL-100BT-12V-SLIM | 551L x 240W x 110H | N/A | N/A | N/A | N/A | RV-SLBC-300-7 | N/A | N/A | N/A | RV-SLBC-MUX |
| Power Lithium | | Y62 Patrol | 150 Prado | 250 Prado | 300 Series GX/GR | 300 Series GXL | 300 Series GXL Sgl Drawer | Everest | Everest Next Gen | MUX (2021+) |
| LFP12.8V110AH-FT | 395L x 286W x 110H | N/A | N/A | N/A | N/A | RV-SLBC-300-7 | Not tested | N/A | N/A | RV-SLBC-MUX |
| LFP12.8V135AH-FT | 395L x 286W x 110H | N/A | N/A | N/A | N/A | RV-SLBC-300-7 | Not tested | N/A | N/A | RV-SLBC-MUX |
| LFP12.8V150AH-FT | 551L x 288W x 110H | N/A | N/A | N/A | N/A | RV-SLBC-300-7 | N/A | N/A | N/A | RV-SLBC-MUX |
| LFP12.8V150AH-FT-BT | 551L x 288W x 110H | N/A | N/A | N/A | N/A | RV-SLBC-300-7 | N/A | N/A | N/A | RV-SLBC-MUX |
| LFP12.8V110AH-SL | 770L x 285W x 50H | RV-SLBC-Y62 | RV-SLBC-150 | N/A | RV-SLBC-300-5 | RV-SLBC-300-7 | N/A | RV-SLBC-EVEREST | RV-SL-BC-NGEVEREST | RV-SLBC-MUX |
| LFP12.8V135AH-SL | 770L x 285W x 63H | RV-SLBC-Y62 | RV-SLBC-150 | N/A | RV-SLBC-300-5 | RV-SLBC-300-7 | N/A | RV-SLBC-EVEREST | RV-SL-BC-NGEVEREST | RV-SLBC-MUX |
| LFP12.8V150AH-SL | 770L x 285W x 68H | RV-SLBC-Y62 | RV-SLBC-150 | N/A | RV-SLBC-300-5 | RV-SLBC-300-7 | N/A | RV-SLBC-EVEREST | RV-SL-BC-NGEVEREST | RV-SLBC-MUX |
| Kings | | Y62 Patrol | 150 Prado | 250 Prado | 300 Series GX/GR | 300 Series GXL | 300 Series GXL Sgl Drawer | Everest | Everest Next Gen | MUX (2021+) |
| AKEP-USLLITHBAT100_01 | 630L x 307W x 66H | N/A | N/A | N/A | N/A | RV-SLBC-300-DBL-FLAT | N/A | N/A | RV-SLBC-NGEVEREST-DBL | N/A |
| AKEP-BATLITHSL100_01 | 395L x 286W x 110H | N/A | N/A | N/A | N/A | RV-SLBC-300-7 | Not tested | N/A | N/A | RV-SLBC-MUX |
| KickAss | | Y62 Patrol | 150 Prado | 250 Prado | 300 Series GX/GR | 300 Series GXL | 300 Series GXL Sgl Drawer | Everest | Everest Next Gen | MUX (2021+) |
| KA12120SLIM-LION | 395L x 287W x 110H | N/A | N/A | N/A | N/A | RV-SLBC-300-7 | N/A | N/A | N/A | N/A |
| KA12105ULTRASLIM-LI | 640L x 307W x 66H | N/A | N/A | N/A | N/A | RV-SLBC-300-DBL-FLAT | N/A | N/A | RV-SLBC-NGEVEREST-DBL | N/A |

All battery cradles are available on page 180. Red text means you can fit 2 of the same battery in the one cradle.

PLEASE NOTE: Although the battery size may indicate that it will fit on a particular RV Storage Solutions Battery Cradle, allowance must be made for fixing the battery to the cradle, such as straps or original brackets.

NEW LOWRIDER PRICING

| VEHICLE | ORDER CODE | SIZE | RRP |
|--|----------------------|-------------|------------|
| FORD | | | |
| EVEREST - NEXT GEN JUNE 2022+ | PA-030410-099717-LWR | 900 x 970 | \$2,905.00 |
| EVEREST - PREVIOUS GEN 2015-2022 | PA-030310-099017-LWR | 900 x 900 | \$2,905.00 |
| TERRITORY 2016+ | PA-030311-099717-LWR | 900 x 970 | \$2,905.00 |
| TOYOTA | | | |
| 60 SERIES GXL 1980-1990 | PA-020100-101217-LWR | 1000 x 1020 | \$2,850.00 |
| 76 SERIES 2008+ (INCLUDES 2024 FACELIFT) | PA-020101-099717-LWR | 900 x 970 | \$2,795.00 |
| 80 SERIES - STANDARD/BARN DOORS 1990-1997 | PA-020201-101217-LWR | 1000 x 1020 | \$2,850.00 |
| 80 SERIES - GXL 1990-1997 | PA-020202-101217-LWR | 1000 x 1020 | \$2,850.00 |
| 80 SERIES - SAHARA/REAR AIR 1990-1997 | PA-020203-101217-LWR | 1000 x 1020 | \$2,850.00 |
| 100 SERIES - STANDARD/BARN DOORS 1998-2007 | PA-020301-101217-LWR | 1000 x 1020 | \$2,850.00 |
| 100 SERIES - GXL 1998-AUGUST 2005 | PA-020302-101217-LWR | 1000 x 1020 | \$2,850.00 |
| 100 SERIES - SAHARA/REAR AIR 1998-2007 GXL UPGRADE/REAR AIR 2005-2007 | PA-020303-101217-LWR | 1000 x 1020 | \$2,850.00 |
| 200 SERIES - GX 5 SEATER 2008+ | PA-020401-101217-LWR | 1000 x 1020 | \$2,850.00 |
| 200 SERIES - GXL, VX, SAHARA 2008-2012 | PA-020402-101217-LWR | 1000 x 1020 | \$2,850.00 |
| 200 SERIES - GXL, VX, SAHARA w/240v OUTLET 2012+ | PA-020405-101217-LWR | 1000 x 1020 | \$2,850.00 |
| 300 SERIES - GX, GR SPORT 5 SEATER 2021+ | PA-020801-101217-LWR | 1000 x 1020 | \$2,960.00 |
| 300 SERIES - GXL, VX, SAHARA 7 SEATER 2021+ | PA-020802-101217-LWR | 1000 x 1020 | \$2,960.00 |
| 95 PRADO - GX, GXL JULY 1996-JULY 2003 | PA-020501-099717-LWR | 900 x 970 | \$2,795.00 |
| 95 PRADO - GRANDE, TX JULY 1996-JULY 2003 | PA-020502-099717-LWR | 900 x 970 | \$2,795.00 |
| 120 PRADO - GX MARCH 2003-OCTOBER 2009 | PA-020601-099717-LWR | 900 x 970 | \$2,795.00 |
| 120 PRADO - GXL MARCH 2003-2007 | PA-020602-099717-LWR | 900 x 970 | \$2,795.00 |
| 120 PRADO - GRANDE, VX MARCH 2003-OCTOBER 2009 GXL UPGRADE 2008-OCTOBER 2009 | PA-020603-099717-LWR | 900 x 970 | \$2,795.00 |
| 120 PRADO - STANDARD 5 SEATER 2007-2009 | PA-020606-099717-LWR | 900 x 970 | \$2,795.00 |
| 150 PRADO - GX 5 SEATER NOVEMBER 2009+ | PA-020701-099717-LWR | 900 x 970 | \$2,905.00 |
| 150 PRADO - GXL, VX, KAKADU, ALTITUDE 7 SEATER NOVEMBER 2009+ | PA-020702-099717-LWR | 900 x 970 | \$2,905.00 |
| 250 PRADO - GXL, VX, ALTITUDE 5 & 7 SEATER NOVEMBER 2024+ | PA-020902-099717-LWR | 900 x 970 | \$2,905.00 |
| KLUGER - GXL, GRANDE 2018-2020 | PA-023001-099717-LWR | 900 x 970 | \$2,905.00 |
| FORTUNER - GX, GXL, CRUSADE 2015+ | PA-023101-099717-LWR | 900 x 970 | \$2,905.00 |
| NISSAN | | | |
| GQ PATROL - LWB - DX, ST 1988-1997 | PA-010101-101217-LWR | 1000 x 1020 | \$2,850.00 |
| GU PATROL - DX, ST, ST-S, MK2 - 1997-2016 | PA-010201-101217-LWR | 1000 x 1020 | \$2,850.00 |
| GU PATROL - STL, Ti, MK2 - REAR AIRCON - 1997-2016 | PA-010203-101217-LWR | 1000 x 1020 | \$2,850.00 |
| Y62 PATROL - ST-L, Ti-L, Ti - 2012+ | PA-010301-101217-LWR | 1000 x 1020 | \$2,960.00 |
| PATHFINDER R51 - ST 2005-2010 | PA-010401-109717-LWR | 1000 x 970 | \$2,850.00 |
| PATHFINDER R51 - STL / Ti / ST 2005+ 2010+ | PA-010402-109717-LWR | 1000 x 970 | \$2,850.00 |
| MITSUBISHI | | | |
| PAJERO - NM / NP / NS / NT / NW / NX GL, GLX, GLS, VRX, EXCEED 2000-2005 GL, GLX, GLS, VRX 2006+ NO SUBWOOFER | PA-051001-089717-LWR | 800 x 970 | \$2,740.00 |
| PAJERO - NS / NT / NW / NX GL, GLX, GLS, VRX, EXCEED, PLATINUM 2006+ WITH SUBWOOFER | PA-051003-089717-LWR | 800 x 970 | \$2,740.00 |
| PAJERO SPORT - GLS, GLX - 5 SEATER 2018+ | PA-052001-099017-LWR | 900 x 900 | \$2,905.00 |
| PAJERO SPORT - GLS, EXCEED - 7 SEATER 2018+ | PA-052002-099017-LWR | 900 x 900 | \$2,905.00 |
| CHALLENGER KH - LS, XLS 2009+ | PA-051501-099017-LWR | 900 x 900 | \$2,905.00 |
| LANDROVER | | | |
| DISCOVERY 3 - S, SE, HSE 5 SEATER APRIL 2005-SEPTEMBER 2009 | PA-120105-099017-LWR | 900 x 900 | \$2,905.00 |
| DISCOVERY 3 - S, SE, HSE 7 SEATER APRIL 2005-SEPTEMBER 2009 | PA-120106-099017-LWR | 900 x 900 | \$2,905.00 |
| DISCOVERY 4 - S, SE, HSE 5 SEATER 2009+ | PA-120107-099017-LWR | 900 x 900 | \$2,905.00 |
| DISCOVERY 4 - S, SE, HSE 7 SEATER 2009+ | PA-120108-099017-LWR | 900 x 900 | \$2,905.00 |
| INEOS | | | |
| GRENADEIER - BASE, FIELDMASTER, TRIALMASTER 2022+ | PA-170101-081217-LWR | 800 x 1020 | \$2,905.00 |
| HOLDEN | | | |
| COLORADO 7/TRAILBLAZER - WAGON LX, LT, LT-Z 2012+ | PA-040304-099717-LWR | 900 x 970 | \$2,905.00 |
| ISUZU | | | |
| MUX - JUNE 2012-2021 | PA-070203-099717-LWR | 900 x 970 | \$2,905.00 |
| MUX - 2021+ | PA-070304-109717-LWR | 1000 x 970 | \$2,960.00 |
| Units are available in Premium Alloy only Lowrider uses a 12mm Timber top rather than 17mm that is used on other systems 1000 x 1020 unit = 42KG Drawer height internally = 120mm Drawer widths are split 50/50 across the total unit width Premium Black upgrade available Twin wing kit is included at 275mm high Subframe is included if vehicle requires it | | | |

EASY ACCESS STACKER PRICING

| VEHICLE | ORDER CODE | SIZE | RRP |
|--|--|-------------|------------|
| FORD | | | |
| EVEREST - NEXT GEN JUNE 2022+ | PA-030410-859736-1SL-STK (small fridge gap passenger side) | 850 x 970 | \$3,207.00 |
| | PA-030410-859736-1SR-STK (small fridge gap driver side) | | |
| | PA-030410-859736-1LL-STK (large fridge gap passenger side) | | |
| | PA-030410-859736-1LR-STK (large fridge gap driver side) | | |
| INEOS | | | |
| GRENADIER - BASE, FIELDMASTER, TRIALMASTER 2022+ | PA-170101-081236-1SL-STK (small fridge gap passenger side) | 800 x 1020 | \$3,207.00 |
| | PA-170101-081236-1SR-STK (small fridge gap driver side) | | |
| | PA-170101-081236-1LL-STK (large fridge gap passenger side) | | |
| | PA-170101-081236-1LR-STK (large fridge gap driver side) | | |
| TOYOTA | | | |
| 76 SERIES 2008+ (INCLUDES 2024 FACELIFT) | PA-020101-859736-1SL-STK (small fridge gap passenger side) | 850 x 970 | \$3,097.00 |
| | PA-020101-859736-1SR-STK (small fridge gap driver side) | | |
| | PA-020101-859736-1LL-STK (large fridge gap passenger side) | | |
| | PA-020101-859736-1LR-STK (large fridge gap driver side) | | |
| 80 SERIES - STANDARD/BARN DOORS 1990-1997 | PA-020201-101236-1SL-STK (small fridge gap passenger side) | 1000 x 1020 | \$3,159.00 |
| | PA-020201-101236-1SR-STK (small fridge gap driver side) | | |
| | PA-020201-101236-1LL-STK (large fridge gap passenger side) | | |
| | PA-020201-101236-1LR-STK (large fridge gap driver side) | | |
| 80 SERIES - GXL 1990-1997 | PA-020202-101236-1SL-STK (small fridge gap passenger side) | 1000 x 1020 | \$3,159.00 |
| | PA-020202-101236-1SR-STK (small fridge gap driver side) | | |
| | PA-020202-101236-1LL-STK (large fridge gap passenger side) | | |
| | PA-020202-101236-1LR-STK (large fridge gap driver side) | | |
| 80 SERIES - SAHARA/REAR AIR 1990-1997 | PA-020203-101236-1SL-STK (small fridge gap passenger side) | 1000 x 1020 | \$3,159.00 |
| | PA-020203-101236-1SR-STK (small fridge gap driver side) | | |
| | PA-020203-101236-1LL-STK (large fridge gap passenger side) | | |
| | PA-020203-101236-1LR-STK (large fridge gap driver side) | | |
| 100 SERIES - STANDARD/BARN DOORS 1998-2007 | PA-020301-101236-1SL-STK (small fridge gap passenger side) | 1000 x 1020 | \$3,159.00 |
| | PA-020301-101236-1SR-STK (small fridge gap driver side) | | |
| | PA-020301-101236-1LL-STK (large fridge gap passenger side) | | |
| | PA-020301-101236-1LR-STK (large fridge gap driver side) | | |
| 100 SERIES - GXL 1998-AUGUST 2005 | PA-020302-101236-1SL-STK (small fridge gap passenger side) | 1000 x 1020 | \$3,159.00 |
| | PA-020302-101236-1SR-STK (small fridge gap driver side) | | |
| | PA-020302-101236-1LL-STK (large fridge gap passenger side) | | |
| | PA-020302-101236-1LR-STK (large fridge gap driver side) | | |
| 100 SERIES - SAHARA/REAR AIR 1998-2007 GXL UPGRADE/REAR AIR 2005-2007 | PA-020303-101236-1SL-STK (small fridge gap passenger side) | 1000 x 1020 | \$3,159.00 |
| | PA-020303-101236-1SR-STK (small fridge gap driver side) | | |
| | PA-020303-101236-1LL-STK (large fridge gap passenger side) | | |
| | PA-020303-101236-1LR-STK (large fridge gap driver side) | | |
| 200 SERIES - GX 5 SEATER 2008+ | PA-020401-101236-1SL-STK (small fridge gap passenger side) | 1000 x 1020 | \$3,159.00 |
| | PA-020401-101236-1SR-STK (small fridge gap driver side) | | |
| | PA-020401-101236-1LL-STK (large fridge gap passenger side) | | |
| | PA-020401-101236-1LR-STK (large fridge gap driver side) | | |
| 200 SERIES - GXL, VX, SAHARA 2008-2012 | PA-020402-101236-1SL-STK (small fridge gap passenger side) | 1000 x 1020 | \$3,159.00 |
| | PA-020402-101236-1SR-STK (small fridge gap driver side) | | |
| | PA-020402-101236-1LL-STK (large fridge gap passenger side) | | |
| | PA-020402-101236-1LR-STK (large fridge gap driver side) | | |
| 200 SERIES - GXL, VX, SAHARA w/240v OUTLET 2012+ | PA-020405-101236-1SL-STK (small fridge gap passenger side) | 1000 x 1020 | \$3,159.00 |
| | PA-020405-101236-1SR-STK (small fridge gap driver side) | | |
| | PA-020405-101236-1LL-STK (large fridge gap passenger side) | | |
| | PA-020405-101236-1LR-STK (large fridge gap driver side) | | |
| 300 SERIES - GX, GR SPORT 5 SEATER 2021+ | PA-020801-951236-1SL-STK (small fridge gap passenger side) | 950 x 1020 | \$3,269.00 |
| | PA-020801-951236-1SR-STK (small fridge gap driver side) | | |
| | PA-020801-951236-1LL-STK (large fridge gap passenger side) | | |
| | PA-020801-951236-1LR-STK (large fridge gap driver side) | | |
| 300 SERIES - GXL, VX, SAHARA 7 SEATER 2021+ | PA-020802-951236-1SL-STK (small fridge gap passenger side) | 950 x 1020 | \$3,269.00 |
| | PA-020802-951236-1SR-STK (small fridge gap driver side) | | |
| | PA-020802-951236-1LL-STK (large fridge gap passenger side) | | |
| | PA-020802-951236-1LR-STK (large fridge gap driver side) | | |

Units are available in Premium Alloy only
 Drawer height internally = 210mm standard height / 59mm Slimline
 Premium Black upgrade available
 Small gap width = 50/50 split of total unit width (485mm for a 970mm unit / 510mm for a 1020mm unit)
 Large gap width = 570mm
 Twin wing kit is included at 365mm high
 Subframe is included if vehicle requires it

EASY ACCESS STACKER PRICING

| VEHICLE | ORDER CODE | SIZE | RRP |
|---|--|-------------|------------|
| TOYOTA | | | |
| 95 PRADO - GX, GXL JULY 1996-JULY 2003 | PA-020501-859736-1SL-STK (small fridge gap passenger side) | 850 x 970 | \$3,097.00 |
| | PA-020501-859736-1SR-STK (small fridge gap driver side) | | |
| | PA-020501-859736-1LL-STK (large fridge gap passenger side) | | |
| | PA-020501-859736-1LR-STK (large fridge gap driver side) | | |
| 95 PRADO - GRANDE, TX JULY 1996-JULY 2003 | PA-020502-859736-1SL-STK (small fridge gap passenger side) | 850 x 970 | \$3,097.00 |
| | PA-020502-859736-1SR-STK (small fridge gap driver side) | | |
| | PA-020502-859736-1LL-STK (large fridge gap passenger side) | | |
| | PA-020502-859736-1LR-STK (large fridge gap driver side) | | |
| 120 PRADO - GX MARCH 2003-OCTOBER 2009 | PA-020601-859736-1SL-STK (small fridge gap passenger side) | 850 x 970 | \$3,097.00 |
| | PA-020601-859736-1SR-STK (small fridge gap driver side) | | |
| | PA-020601-859736-1LL-STK (large fridge gap passenger side) | | |
| | PA-020601-859736-1LR-STK (large fridge gap driver side) | | |
| 120 PRADO - GXL MARCH 2003-2007 | PA-020602-859736-1SL-STK (small fridge gap passenger side) | 850 x 970 | \$3,097.00 |
| | PA-020602-859736-1SR-STK (small fridge gap driver side) | | |
| | PA-020602-859736-1LL-STK (large fridge gap passenger side) | | |
| | PA-020602-859736-1LR-STK (large fridge gap driver side) | | |
| 120 PRADO - GRANDE, VX MARCH 2003-OCTOBER 2009 GXL UPGRADE 2008-OCTOBER 2009 | PA-020603-859736-1SL-STK (small fridge gap passenger side) | 850 x 970 | \$3,097.00 |
| | PA-020603-859736-1SR-STK (small fridge gap driver side) | | |
| | PA-020603-859736-1LL-STK (large fridge gap passenger side) | | |
| | PA-020603-859736-1LR-STK (large fridge gap driver side) | | |
| 120 PRADO - STANDARD 5 SEATER 2007-2009 | PA-020606-859736-1SL-STK (small fridge gap passenger side) | 850 x 970 | \$3,097.00 |
| | PA-020606-859736-1SR-STK (small fridge gap driver side) | | |
| | PA-020606-859736-1LL-STK (large fridge gap passenger side) | | |
| | PA-020606-859736-1LR-STK (large fridge gap driver side) | | |
| 150 PRADO - GX 5 SEATER NOVEMBER 2009+ | PA-020701-859736-1SL-STK (small fridge gap passenger side) | 850 x 970 | \$3,207.00 |
| | PA-020701-859736-1SR-STK (small fridge gap driver side) | | |
| | PA-020701-859736-1LL-STK (large fridge gap passenger side) | | |
| | PA-020701-859736-1LR-STK (large fridge gap driver side) | | |
| 150 PRADO - GXL, VX, KAKADU, ALTITUDE 7 SEATER NOVEMBER 2009+ | PA-020702-859736-1SL-STK (small fridge gap passenger side) | 850 x 970 | \$3,207.00 |
| | PA-020702-859736-1SR-STK (small fridge gap driver side) | | |
| | PA-020702-859736-1LL-STK (large fridge gap passenger side) | | |
| | PA-020702-859736-1LR-STK (large fridge gap driver side) | | |
| 250 PRADO - GXL, VX, ALTITUDE 5 & 7 SEATER NOVEMBER 2024+ | PA-020902-859736-1SL-STK (small fridge gap passenger side) | 850 x 970 | \$3,207.00 |
| | PA-020902-859736-1SR-STK (small fridge gap driver side) | | |
| | PA-020902-859736-1LL-STK (large fridge gap passenger side) | | |
| | PA-020902-859736-1LR-STK (large fridge gap driver side) | | |
| NISSAN | | | |
| GQ PATROL - LWB - DX, ST 1988-1997 | PA-010101-951236-1SL-STK (small fridge gap passenger side) | 950 x 1020 | \$3,159.00 |
| | PA-010101-951236-1SR-STK (small fridge gap driver side) | | |
| | PA-010101-951236-1LL-STK (large fridge gap passenger side) | | |
| | PA-010101-951236-1LR-STK (large fridge gap driver side) | | |
| GU PATROL - DX, ST, ST-S, MK2 - 1997-2016 | PA-010201-951236-1SL-STK (small fridge gap passenger side) | 950 x 1020 | \$3,159.00 |
| | PA-010201-951236-1SR-STK (small fridge gap driver side) | | |
| | PA-010201-951236-1LL-STK (large fridge gap passenger side) | | |
| | PA-010201-951236-1LR-STK (large fridge gap driver side) | | |
| GU PATROL - STL, Ti, MK2 - REAR AIRCON - 1997-2016 | PA-010203-951236-1SL-STK (small fridge gap passenger side) | 950 x 1020 | \$3,159.00 |
| | PA-010203-951236-1SR-STK (small fridge gap driver side) | | |
| | PA-010203-951236-1LL-STK (large fridge gap passenger side) | | |
| | PA-010203-951236-1LR-STK (large fridge gap driver side) | | |
| Y62 PATROL - ST-L, Ti-L, Ti - 2012+ | PA-010301-101236-1SL-STK (small fridge gap passenger side) | 1000 x 1020 | \$3,269.00 |
| | PA-010301-101236-1SR-STK (small fridge gap driver side) | | |
| | PA-010301-101236-1LL-STK (large fridge gap passenger side) | | |
| | PA-010301-101236-1LR-STK (large fridge gap driver side) | | |
| ISUZU | | | |
| MUX - 2021+ | PA-070304-959736-1SL-STK (small fridge gap passenger side) | 950 x 970 | \$3,269.00 |
| | PA-070304-959736-1SR-STK (small fridge gap driver side) | | |
| | PA-070304-959736-1LL-STK (large fridge gap passenger side) | | |
| | PA-070304-959736-1LR-STK (large fridge gap driver side) | | |

Units are available in Premium Alloy only
 Drawer height internally = 210mm standard height / 59mm Slimline
 Premium Black upgrade available
 Small gap width = 50/50 split of total unit width (485mm for a 970mm unit / 510mm for a 1020mm unit)
 Large gap width = 570mm
 Twin wing kit is included at 365mm high
 Subframe is included if vehicle requires it

FRIDGE DRAWER SYSTEMS INFO

30LT FRIDGE DRAWER COMBOS & STACKERS

30Lt Engel/Dometic Fridge Drawer Stacker - RV drawer internal heights - Top drawer = 130mm / Slimline drawer = 65mm

Engel Fridge SB30F \$989 RRP (Rear Mount Compressor)

Engel Unit External Dimensions: H250mm x W440mm x D716mm

Engel Drawer Internal Dimensions: H171mm x W335mm x D476mm

Engel Unit Weight: 21.5KG

Fridge Cavity Width: W480mm / Liftout Hatch width W431mm on all units L900mm+

System Height Overall: H300mm

900mm wide unit RV Drawer Width - W420mm External, W340mm Internal

970mm wide unit RV Drawer Width - W490mm External, W410mm Internal

1020mm wide unit RV Drawer Width - W540mm External, W460 Internal

1140mm wide unit RV Drawer Width - W660mm External, W580 Internal

Dometic Fridge CD30DC \$1075 RRP

Dometic Unit External Dimensions: H250mm x W440mm x D730mm

Dometic Drawer Internal Dimensions: H195mm x W330mm x D470mm

Dometic Unit Weight: 19.3KG

Fridge Cavity Width: W480mm / Liftout Hatch width W431mm on all units L900mm+

System Height Overall: H300mm

900mm wide unit RV Drawer Width - W420mm External, W340mm Internal

970mm wide unit RV Drawer Width - W490mm External, W410mm Internal

1020mm wide unit RV Drawer Width - W540mm External, W460 Internal

1140mm wide unit RV Drawer Width - W660mm External, W580 Internal

30Lt Bushman Fridge Drawer Stacker - RV drawer internal heights - Top drawer = 210mm / Slimline drawer = 65mm

Bushman Fridge DF30-HD \$1480 RRP

Bushman Unit External Dimensions: H310mm x W440mm x D840mm

Bushman Drawer Internal Dimensions: H170mm x W300mm x D490mm

Bushman Unit Weight: 24KG

Fridge Cavity Width: W480mm / Liftout Hatch width W431mm on all units L900mm+

System Height Overall: H365mm

900mm wide unit RV Drawer Width - W420mm External, W340mm Internal

970mm wide unit RV Drawer Width - W490mm External, W410mm Internal

1020mm wide unit RV Drawer Width - W540mm External, W460 Internal

1140mm wide unit RV Drawer Width - W660mm External, W580 Internal

40LT FRIDGE DRAWER COMBOS & STACKERS

40Lt Fridge Drawer Stacker - RV drawer internal heights - Top drawer = 210mm / Slimline drawer = 65mm

Evakool Fridge DC40 \$1100 RRP

Evakool Unit External Dimensions: H326mm x W595mm x D836mm

Evakool Drawer Internal Dimensions: H150mm x W535mm x D440mm

Evakool Unit Weight: 28KG

Fridge Cavity Width: W620mm / Liftout Hatch width W560mm on all units L950mm+

System Height Overall: H365mm

970mm wide unit RV Drawer Width - W350mm External, W270mm Internal

1020mm wide unit RV Drawer Width - W400mm External, W320mm Internal

1140mm wide unit RV Drawer Width - W520mm External, W440mm Internal

Ironman Fridge 40DR \$899.00 RRP

Ironman Unit External Dimensions: H308mm x W536mm x D773mm

Ironman Drawer Internal Dimensions: H206mm x W457mm x D515.5mm

Ironman Unit Weight: 19KG

Fridge Cavity Width: W570mm / Liftout Hatch width W510mm on all units L950mm+

System Height Overall: H365mm

970mm wide unit RV Drawer Width - W400mm External, W320mm Internal

1020mm wide unit RV Drawer Width - W450mm External, W370mm Internal

1140mm wide unit RV Drawer Width - W570mm External, W490mm Internal

FRIDGE DRAWER SYSTEMS INFO

LIFTOUT HATCH LENGTHS PER UNIT

900L = 133mm (Engel/Dometic & Ironman Fridge Drawer systems only)

950L = 133mm

1000L = 183mm

1100L = 283mm

1200L = 383mm

1300L = 483mm

1400L = 583mm

1450L = 633mm

1500L = 683mm

1600L = 783mm

1700L = 883mm

1800L = 983mm

NOTE: Liftout hatch widths will be 100mm narrower if tie downs are added to the top